



US00D425096S

**United States Patent** [19]  
**Kondo**

[11] **Patent Number: Des. 425,096**

[45] **Date of Patent: \*\* May 16, 2000**

[54] **CAMERA**

[75] **Inventor: Shozo Kondo, Tokyo, Japan**

[73] **Assignee: Fuji Photo Film Co., Ltd., Kanagawa, Japan**

[\*\*] **Term: 14 Years**

[21] **Appl. No.: 29/110,203**

[22] **Filed: Sep. 2, 1999**

[30] **Foreign Application Priority Data**

Mar. 2, 1999 [JP] Japan ..... 11-5342

[51] **LOC (7) Cl. .... 16-01**

[52] **U.S. Cl. .... D16/218; D16/209**

[58] **Field of Search .... D16/200-208, D16/209, 212, 217, 218; 396/535-541**

[56] **References Cited**

**U.S. PATENT DOCUMENTS**

D. 353,606 12/1994 Horikiri et al. .... D16/208

D. 359,745 6/1995 Arai ..... D16/208

D. 363,078 10/1995 Fukuda et al. .... D16/208

D. 372,722 8/1996 Isozaki ..... D16/209

D. 383,145 9/1997 Isozaki ..... D16/208

D. 400,552 11/1998 Becker et al. .... D16/218

5,628,039 5/1997 Muramatsu et al. .... 396/535

*Primary Examiner—Adir Aronovich  
Attorney, Agent, or Firm—Young & Thompson*

[57] **CLAIM**

The ornamental design for a camera, as shown.

**DESCRIPTION**

FIG. 1 is a top, front and side perspective view of a camera showing my new design;

FIG. 2 is a front elevational view thereof;

FIG. 3 is a rear elevational view thereof;

FIG. 4 is a top plan view thereof;

FIG. 5 is a bottom plan view thereof;

FIG. 6 is a side elevational view thereof from the right of FIG. 2; and,

FIG. 7 is a side elevational view thereof from the left of FIG. 2.

**1 Claim, 3 Drawing Sheets**

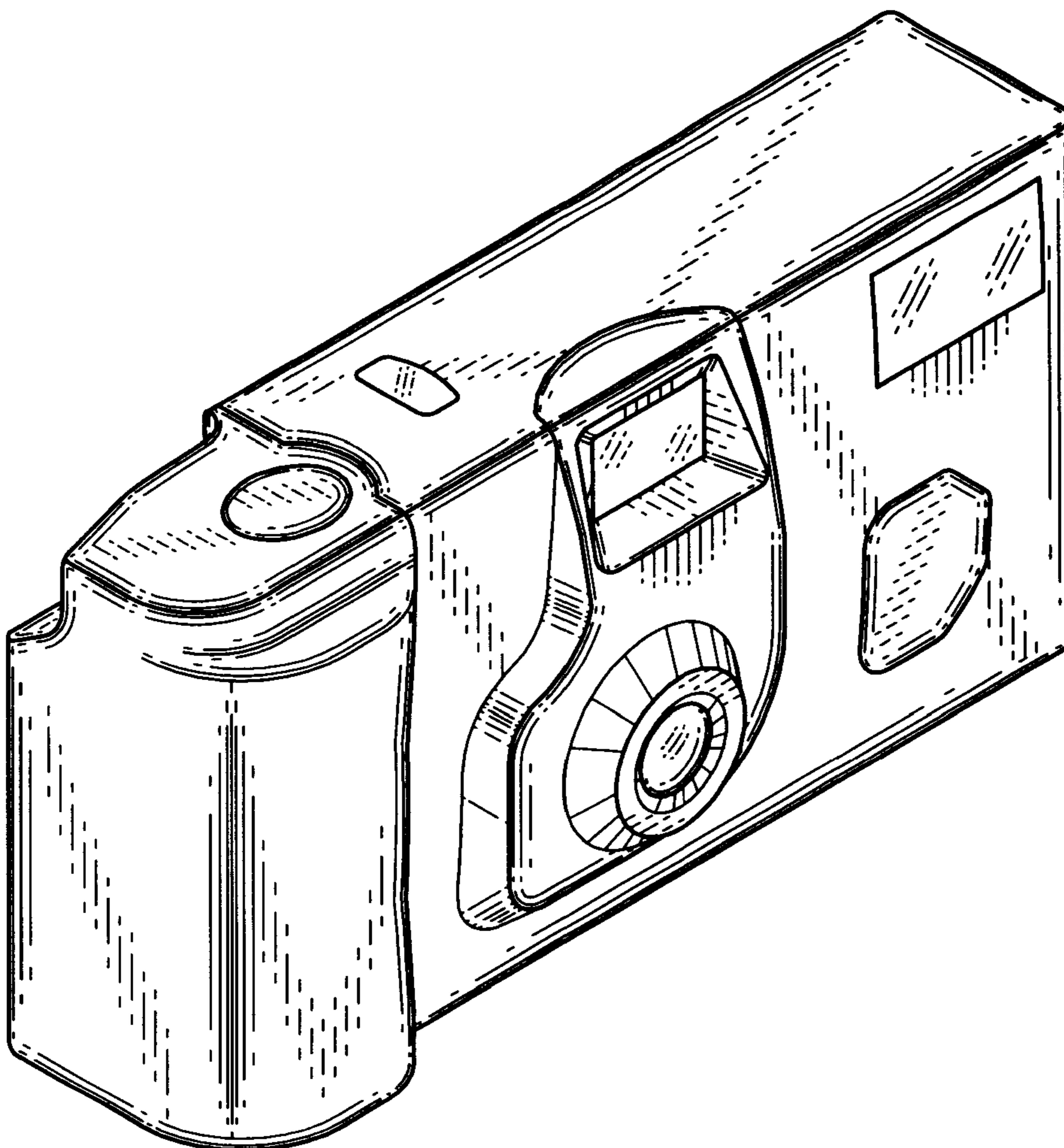


Fig. 1

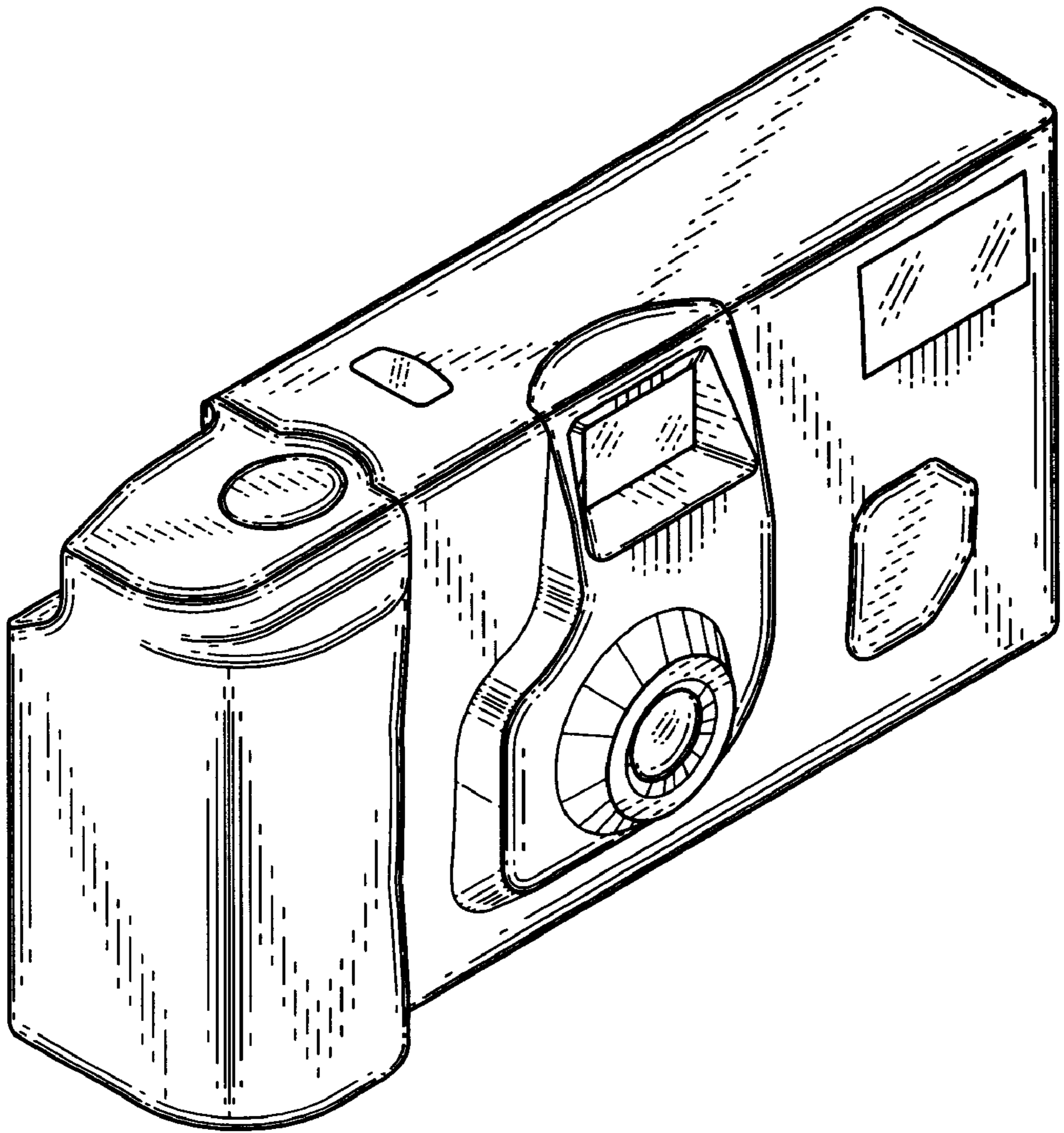


Fig. 2

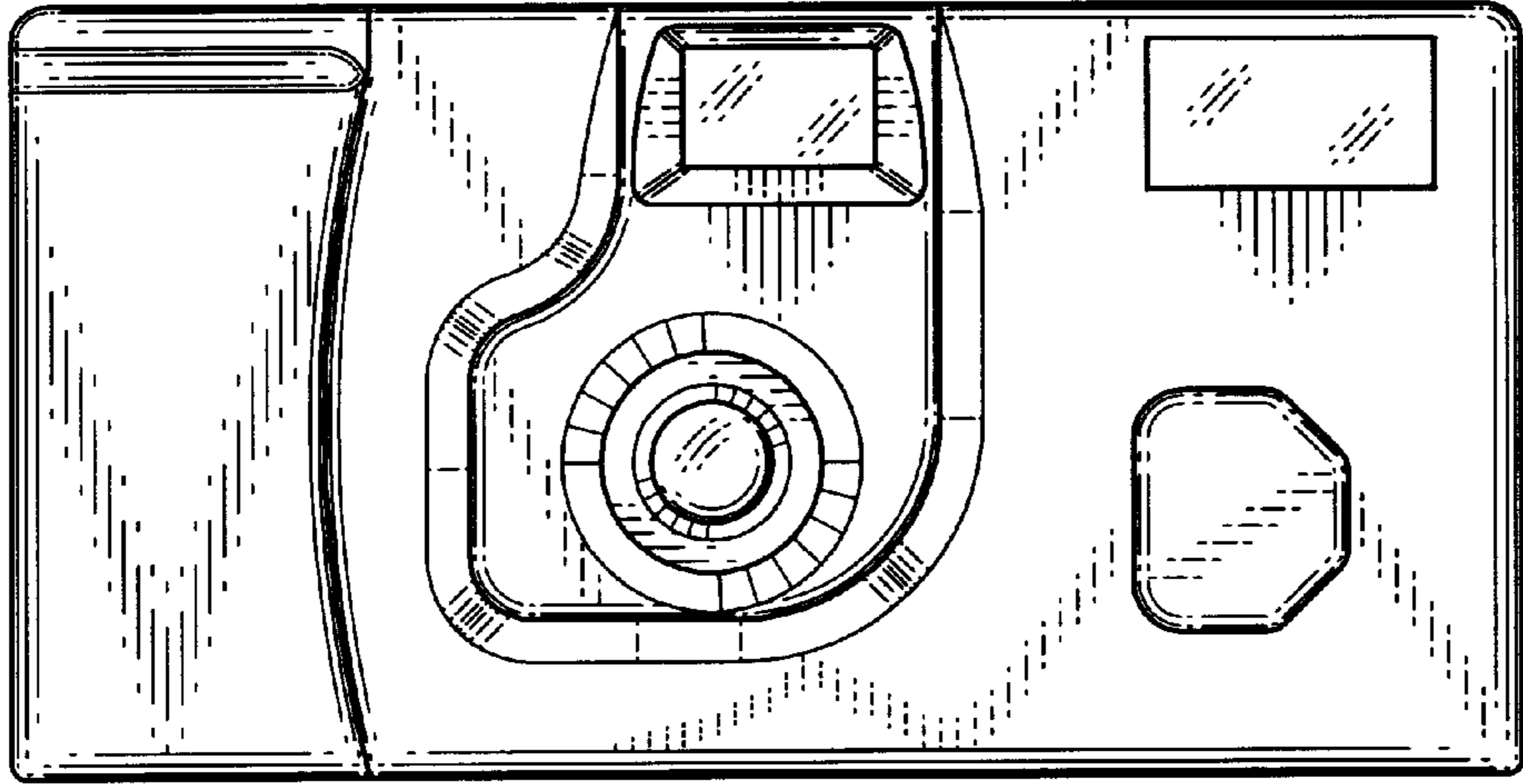


Fig. 3

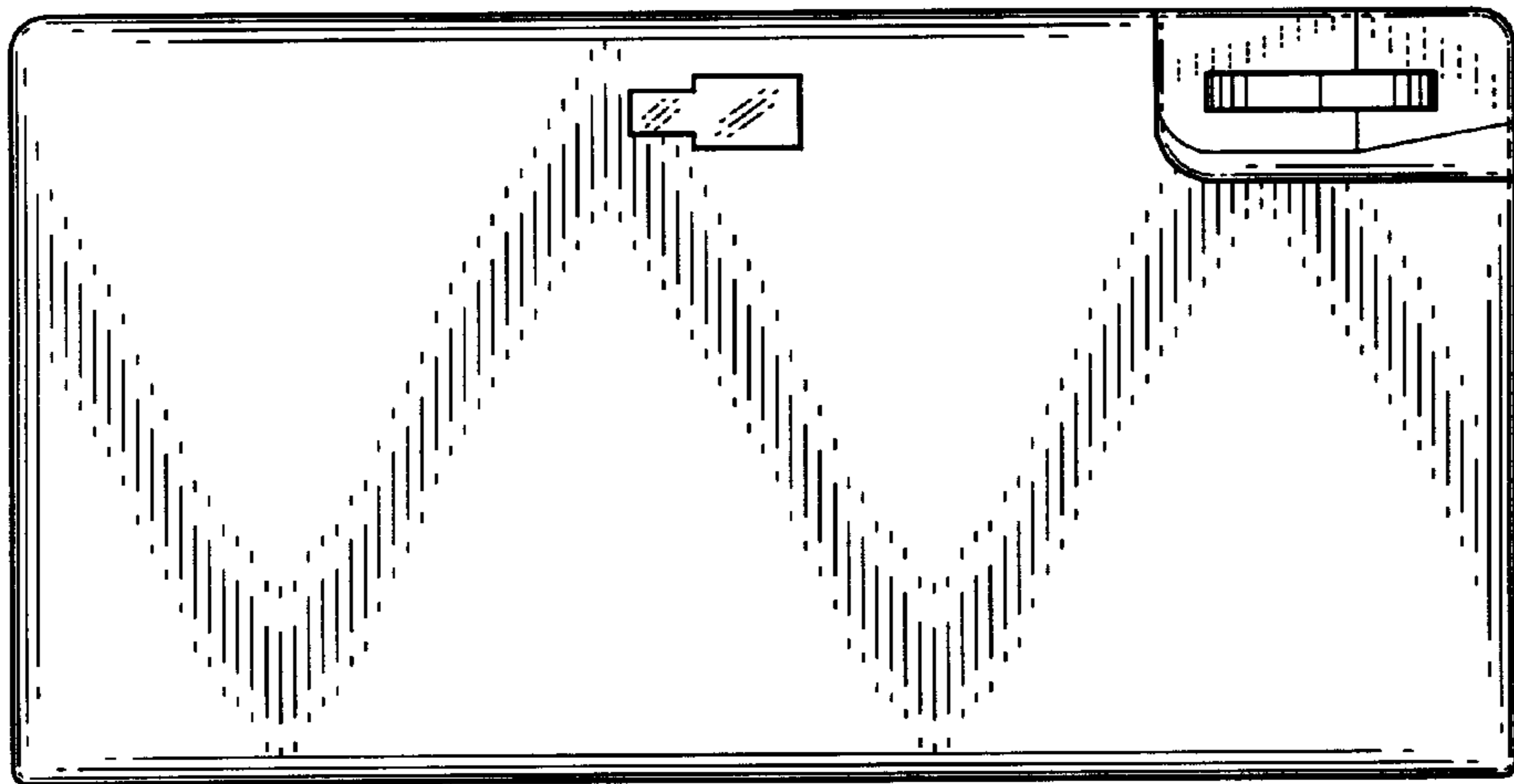


Fig. 4

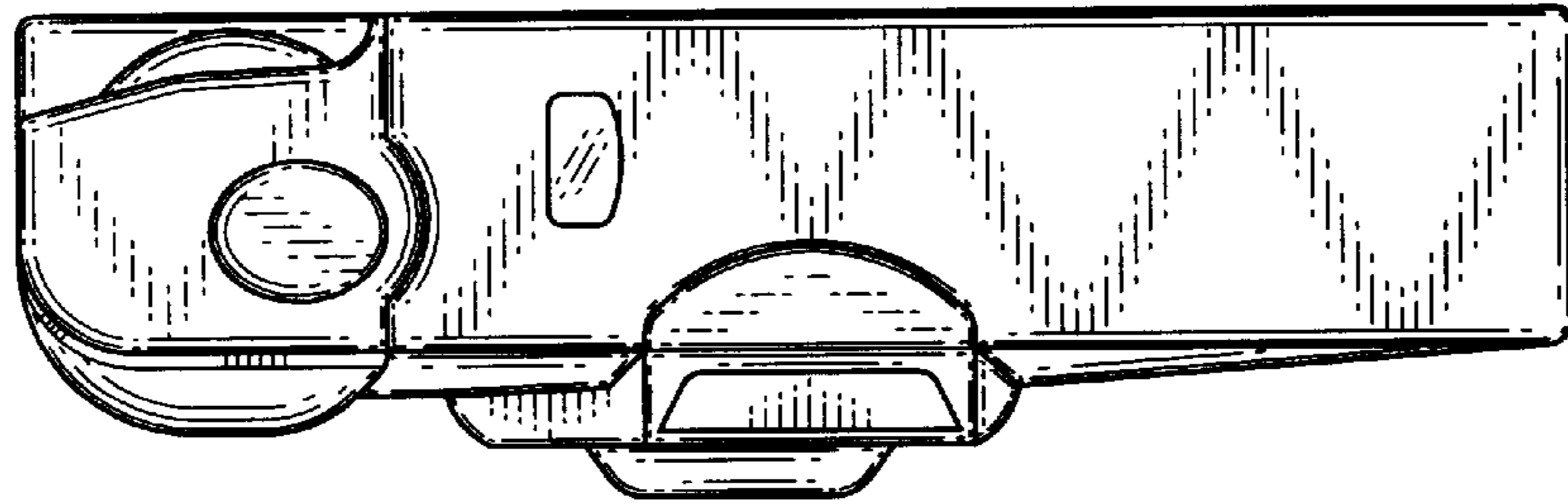


Fig. 5

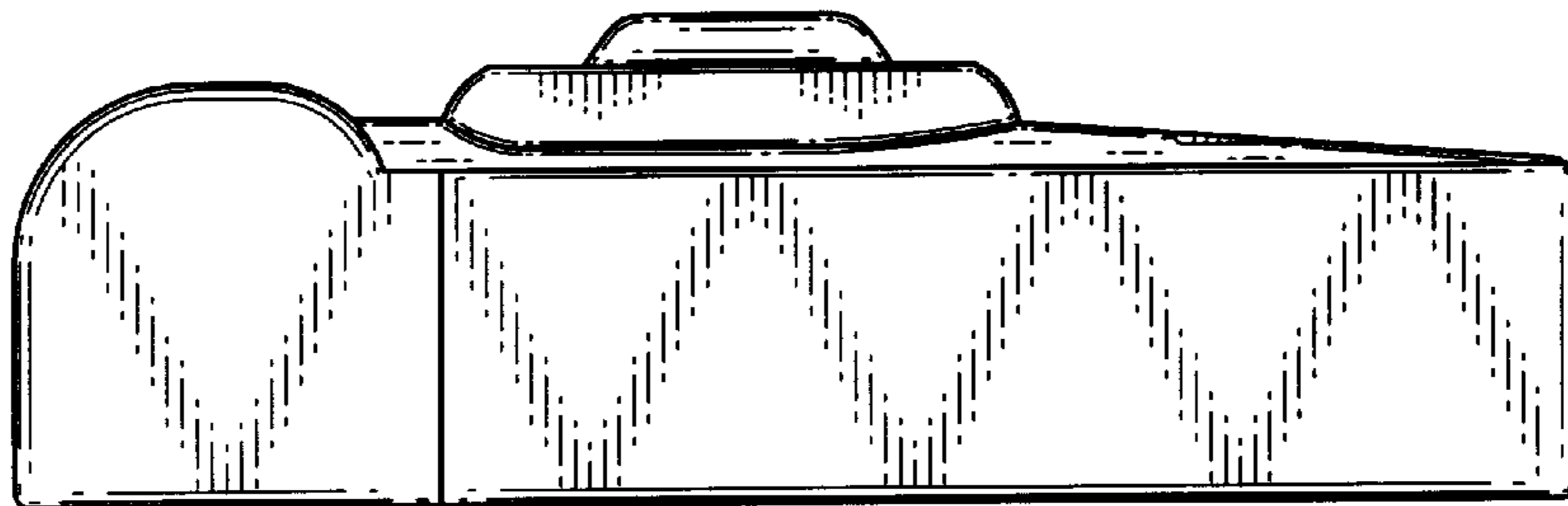


Fig. 7

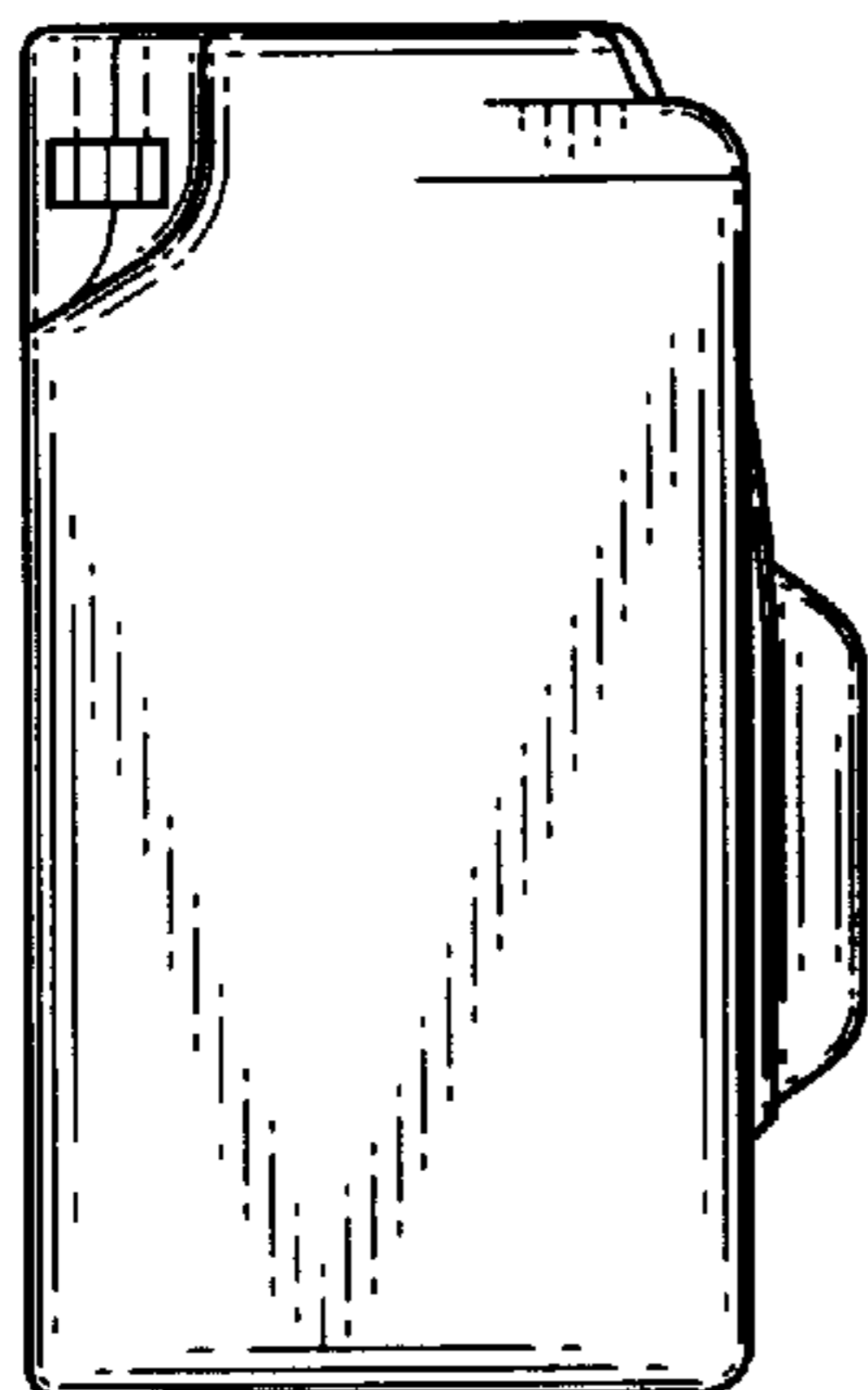


Fig. 6

