



US00D425095S

United States Patent [19]

Watarai et al.

[11] Patent Number: **Des. 425,095**

[45] Date of Patent: **** May 16, 2000**

[54] **DIGITAL SINGLE-LENS REFLEX CAMERA**

D. 408,040 4/1999 Miyahara D16/202

[75] Inventors: **Kazuhiko Watarai, Tama; Gisuke Ota, Ichihara, both of Japan**

FOREIGN PATENT DOCUMENTS

08032852 2/1996 Japan H04N 5/225

[73] Assignee: **Olympus Optical Co., Ltd, Tokyo, Japan**

Primary Examiner—Adir Aronovich
Attorney, Agent, or Firm—Loeb & Loeb, LLP

[**] Term: **14 Years**

[57] CLAIM

[21] Appl. No.: **29/108,872**

The ornamental design for a digital single-lens reflex camera, as shown and described.

[22] Filed: **Aug. 5, 1999**

DESCRIPTION

[30] Foreign Application Priority Data

Feb. 10, 1999 [JP] Japan 11-2847

[51] **LOC (7) Cl.** **16-01**

[52] **U.S. Cl.** **D16/217; D16/206**

[58] **Field of Search** D16/200–206,
D16/208, 209, 216–218; 348/373–376;
396/354–359, 535–542, 176–178; 358/909.1,
906

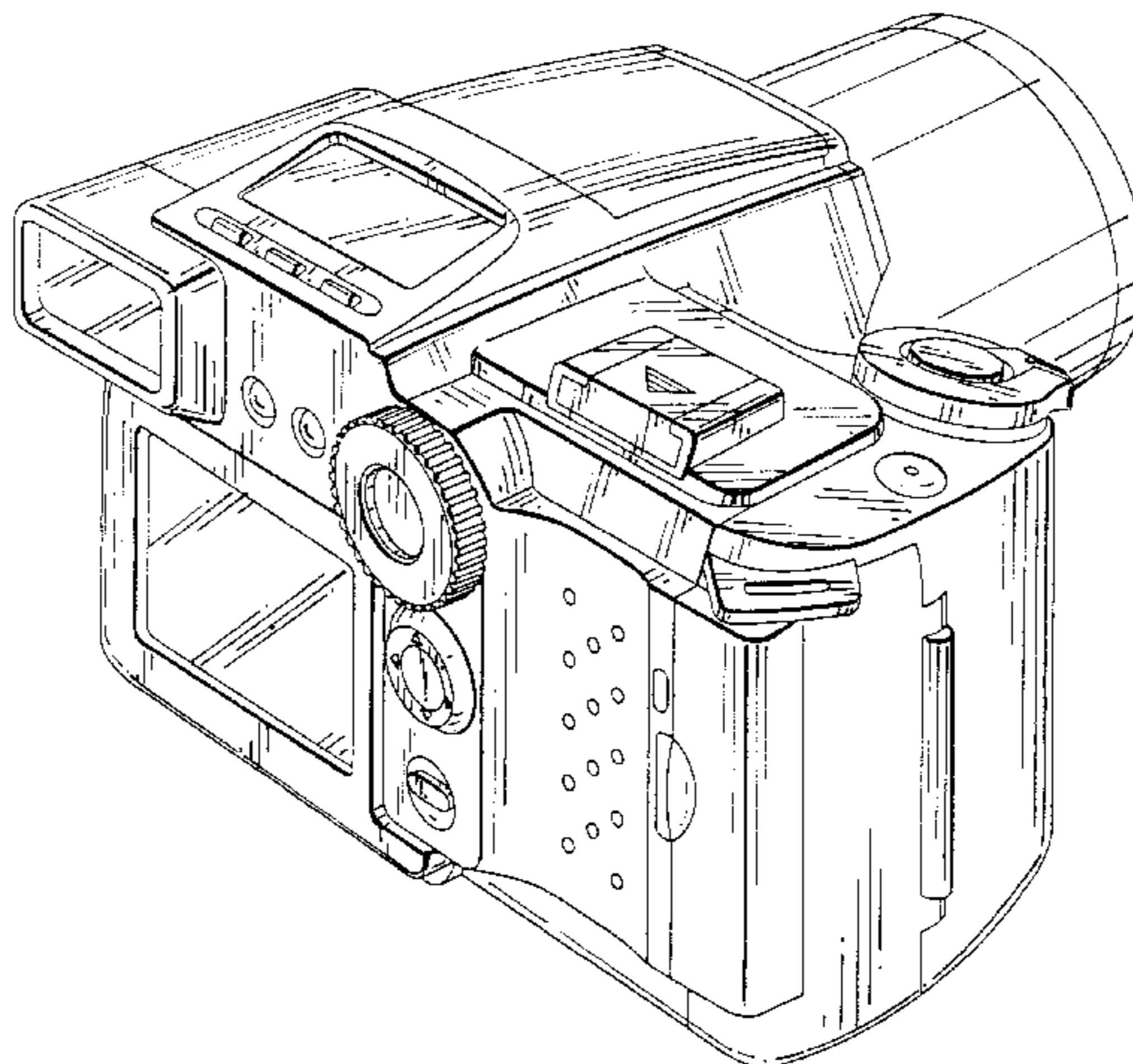
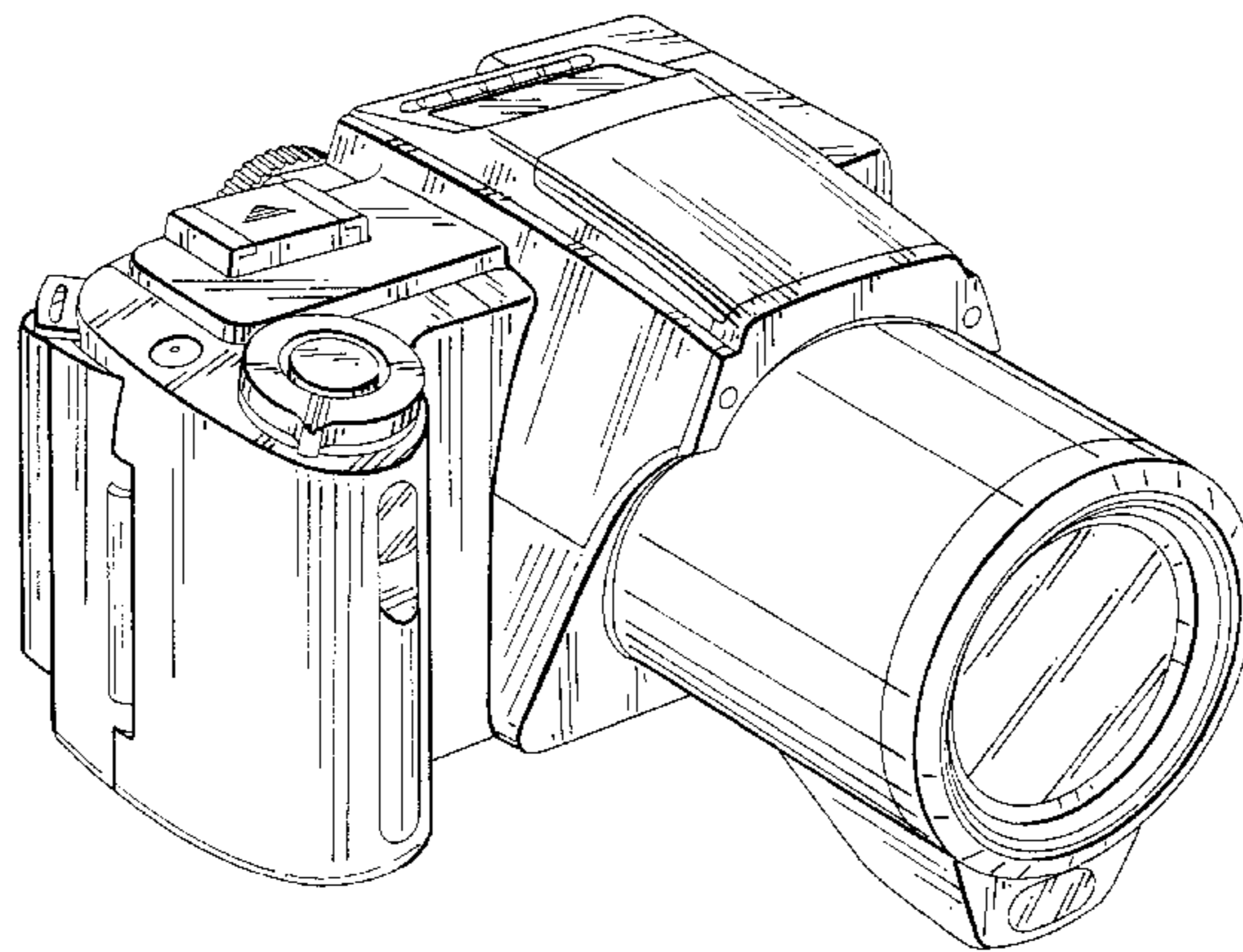
FIG. 1 is a front, top and left side perspective view of a digital single-lens reflex camera, showing our new design; FIG. 2 is a rear, top and left side perspective view thereof; FIG. 3 is a front elevational view thereof; FIG. 4 is a top plan view thereof; FIG. 5 is a left side elevational view thereof; FIG. 6 is a right side elevational view thereof; FIG. 7 is a rear elevational view thereof; FIG. 8 is a bottom plan view thereof; FIG. 9 is a front elevational view thereof with an electronic flashing unit set in a raised state; and, FIG. 10 is a right side elevational view thereof with an electronic flashing unit set in a raised state.

[56] References Cited

U.S. PATENT DOCUMENTS

- D. 387,079 12/1997 Horikiri D16/217
- D. 388,110 12/1997 Watarai et al. D16/217
- D. 397,707 9/1998 Naitou D16/202

1 Claim, 5 Drawing Sheets



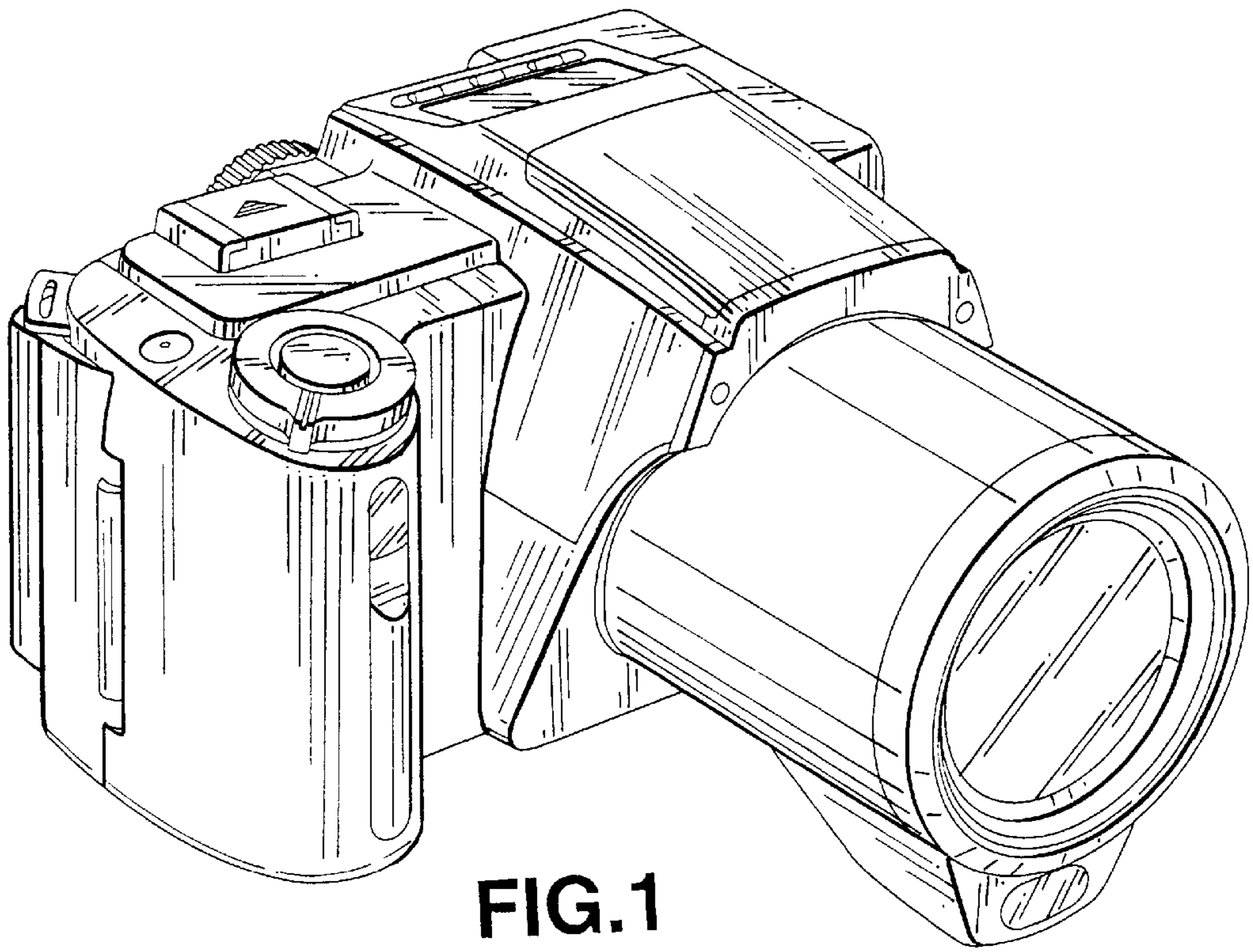


FIG. 1

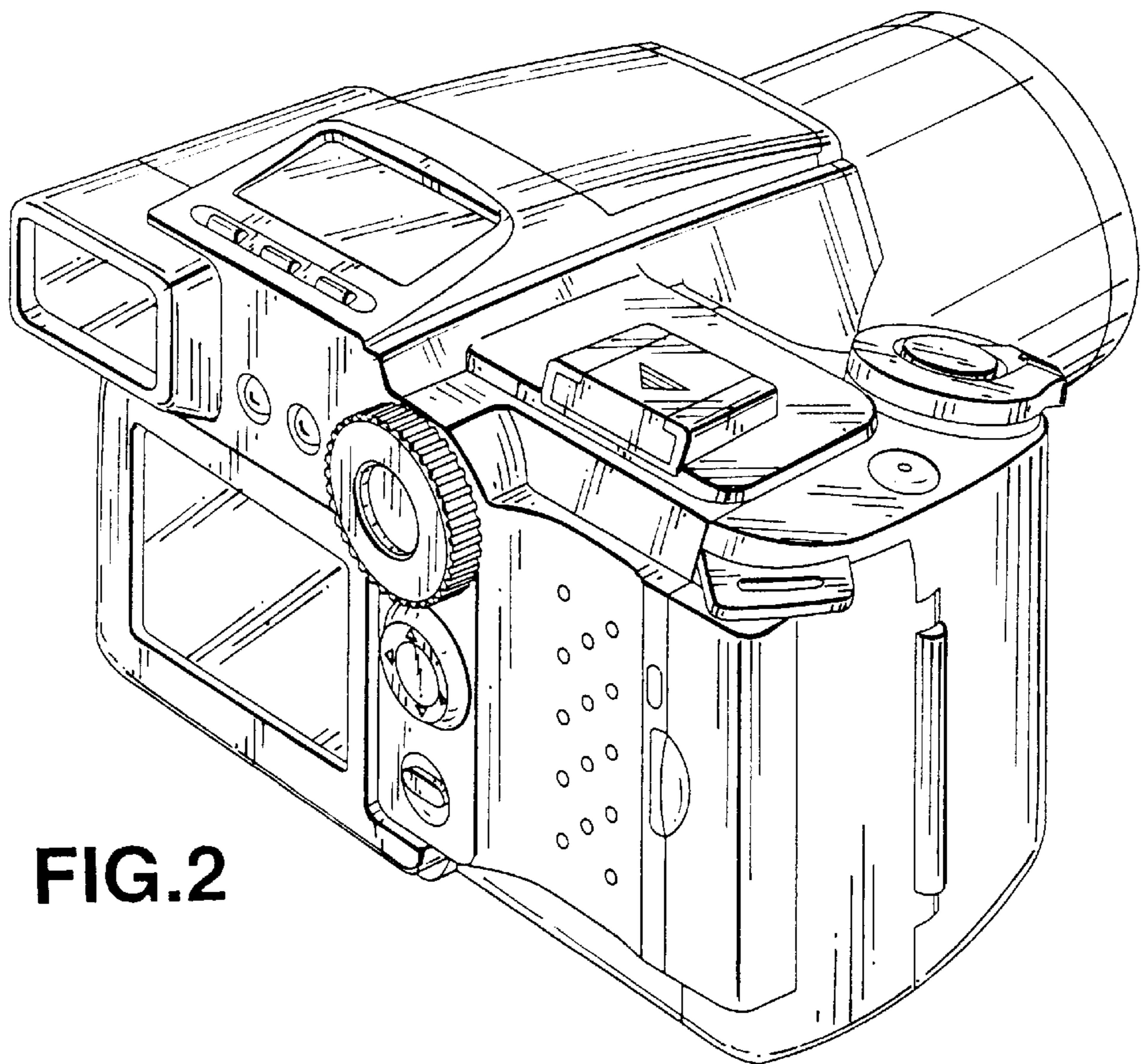


FIG. 2

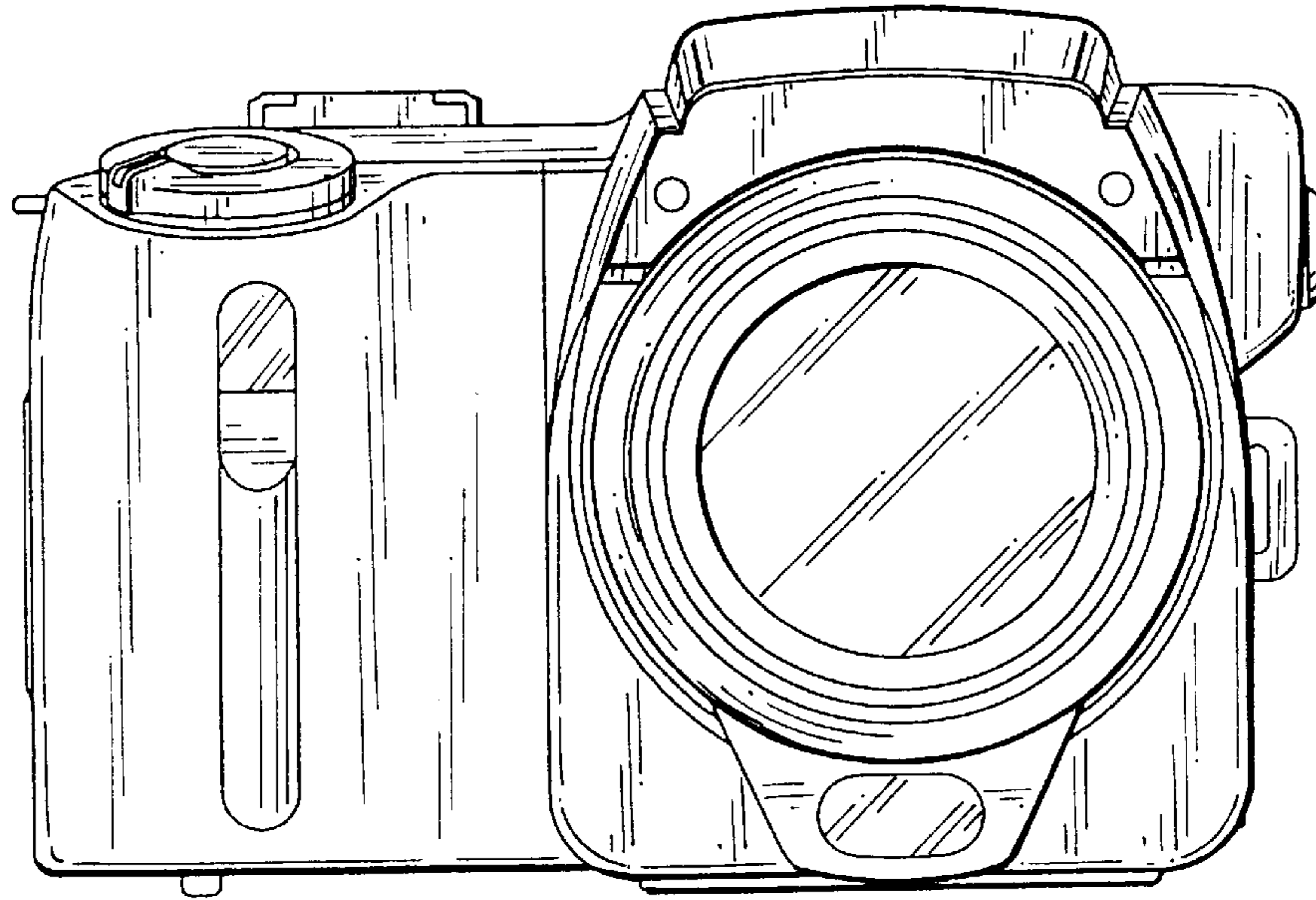


FIG.3

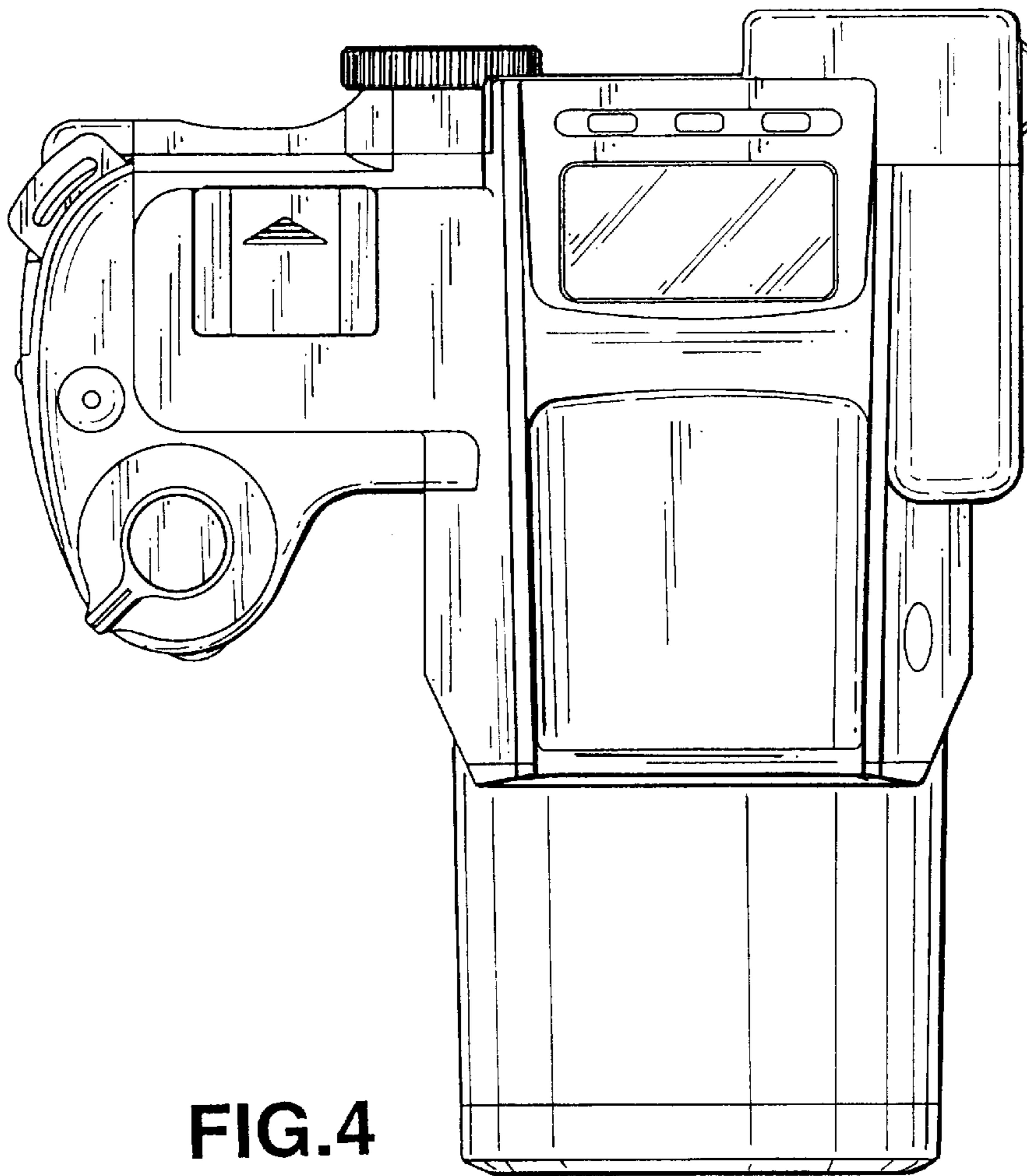


FIG.4

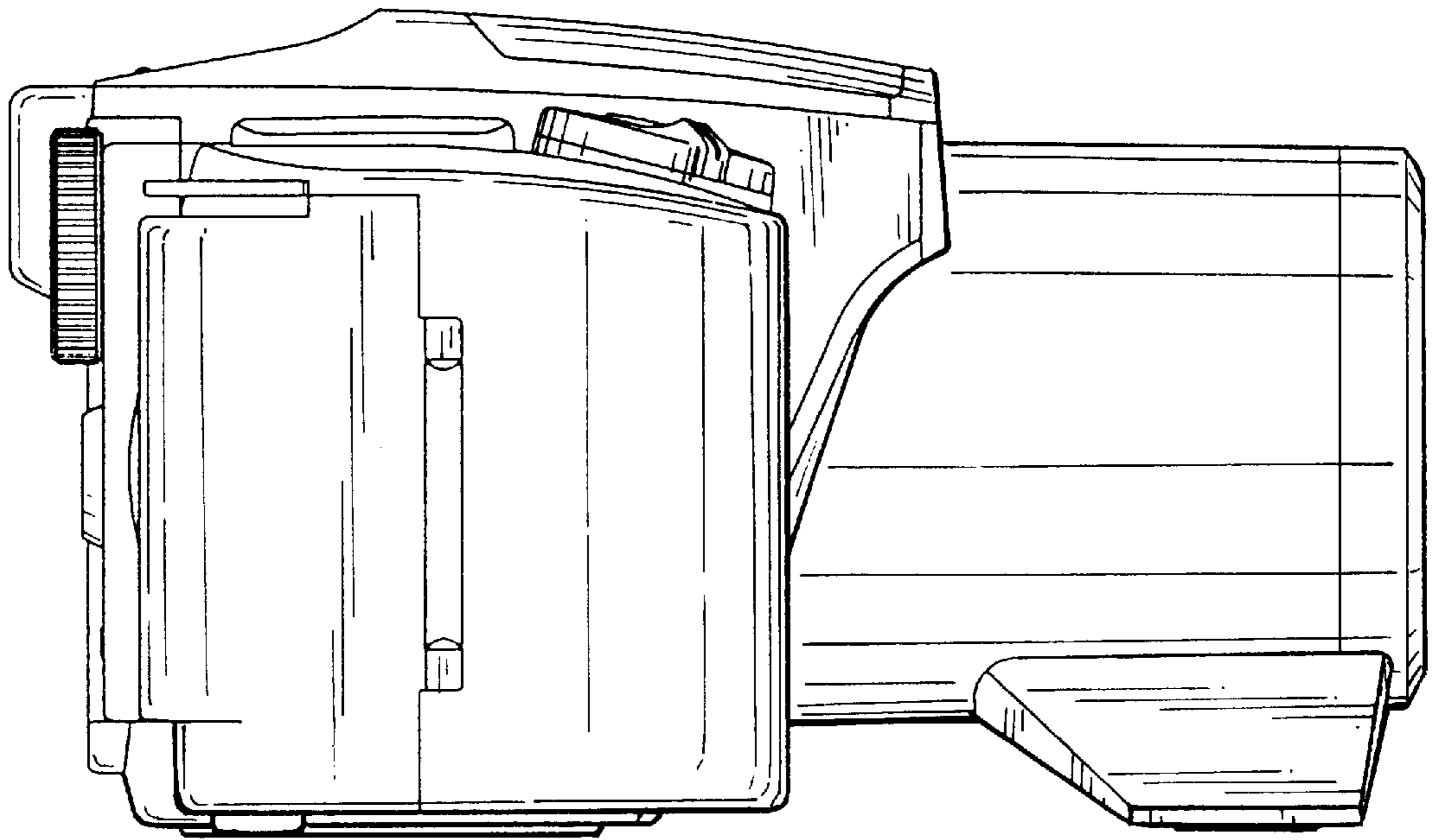


FIG. 5

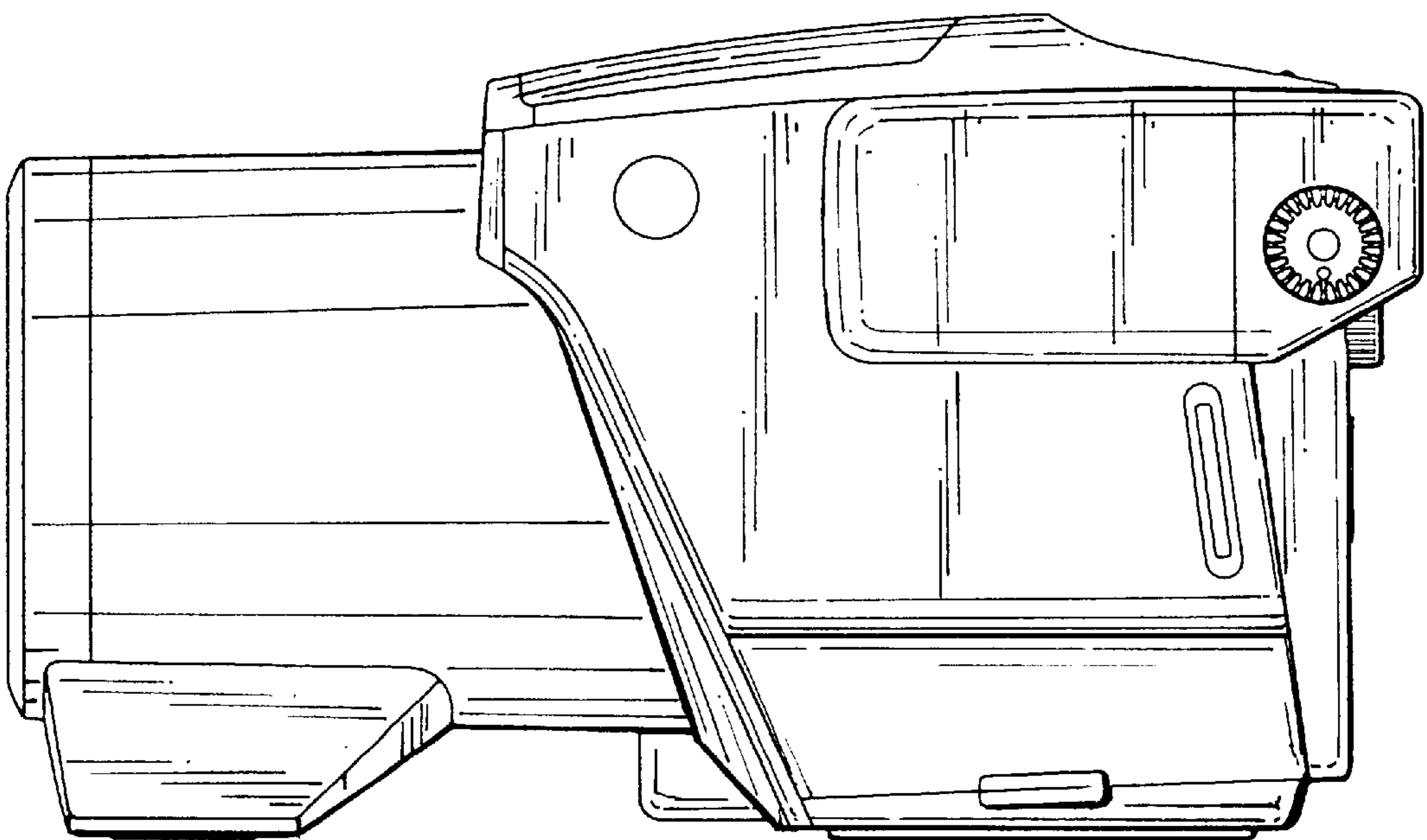


FIG. 6

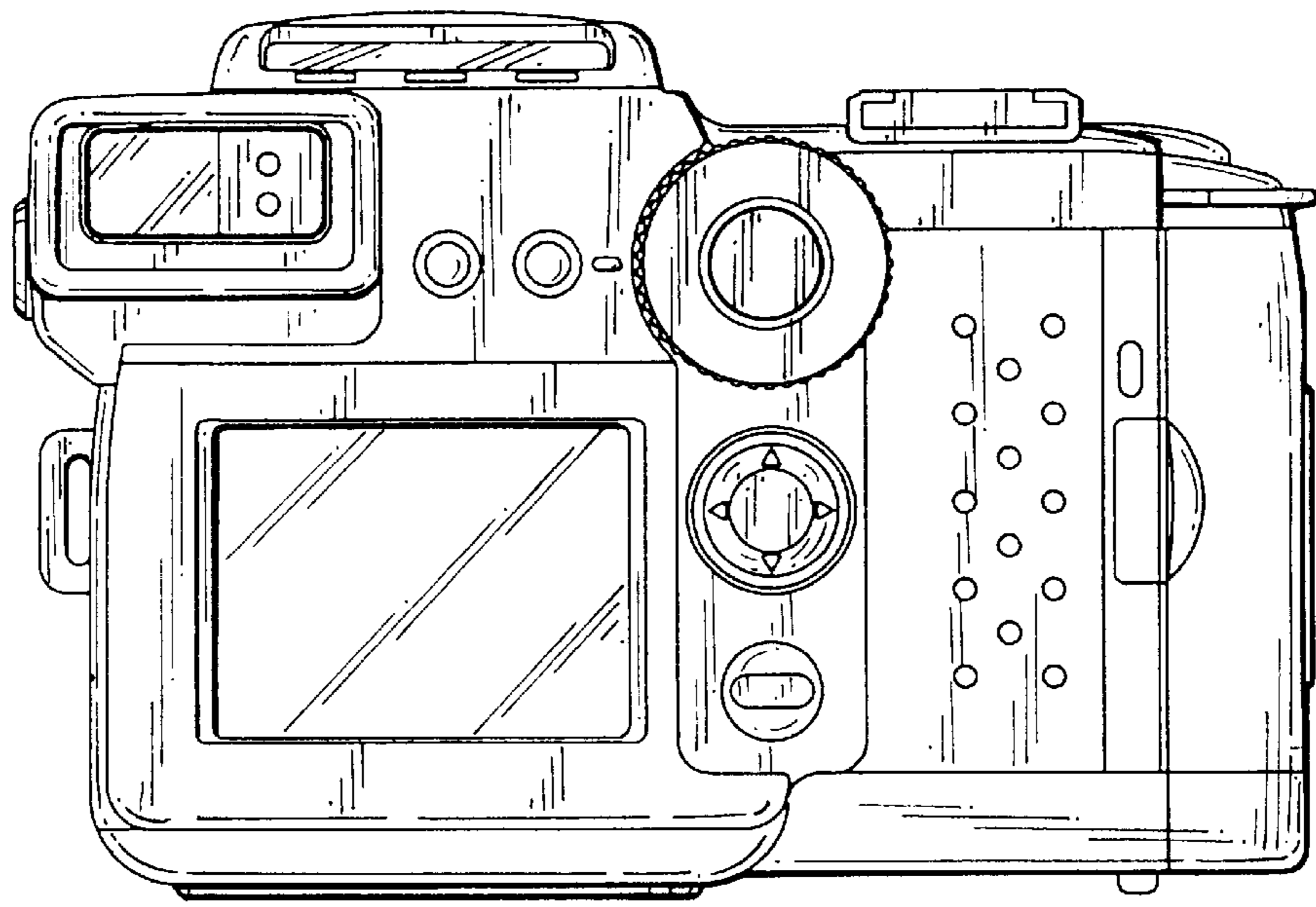


FIG. 7

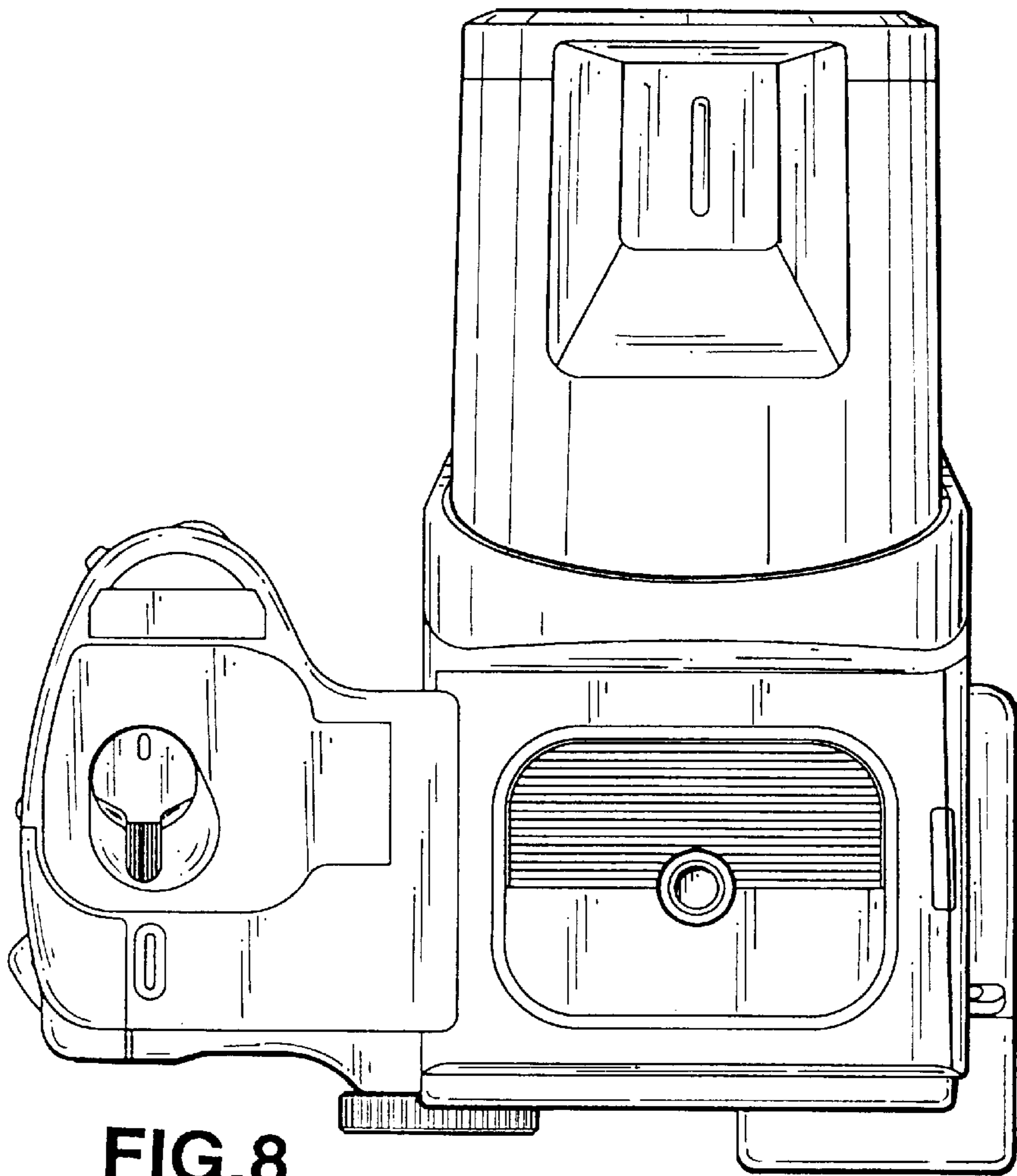


FIG. 8

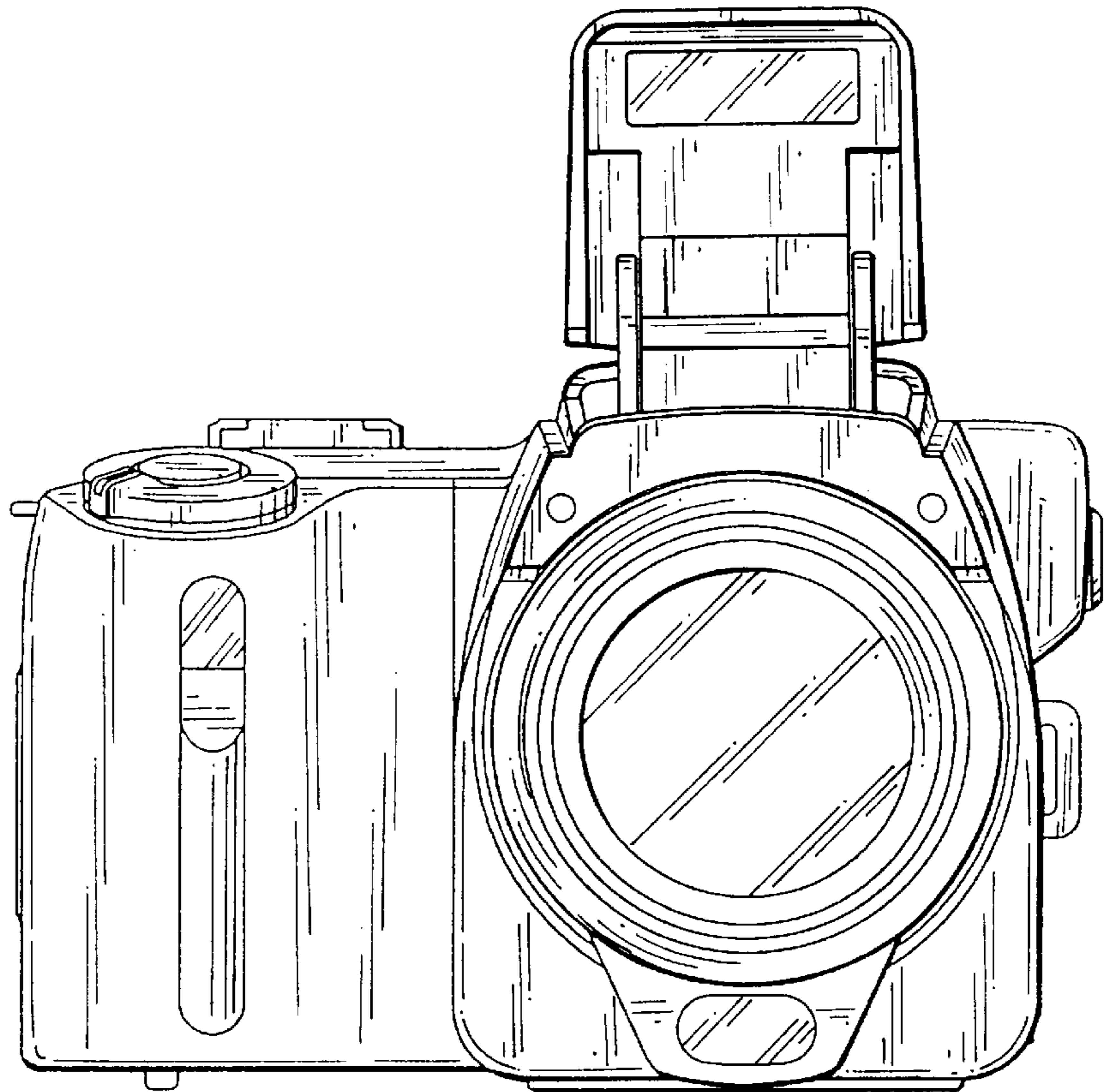


FIG. 9

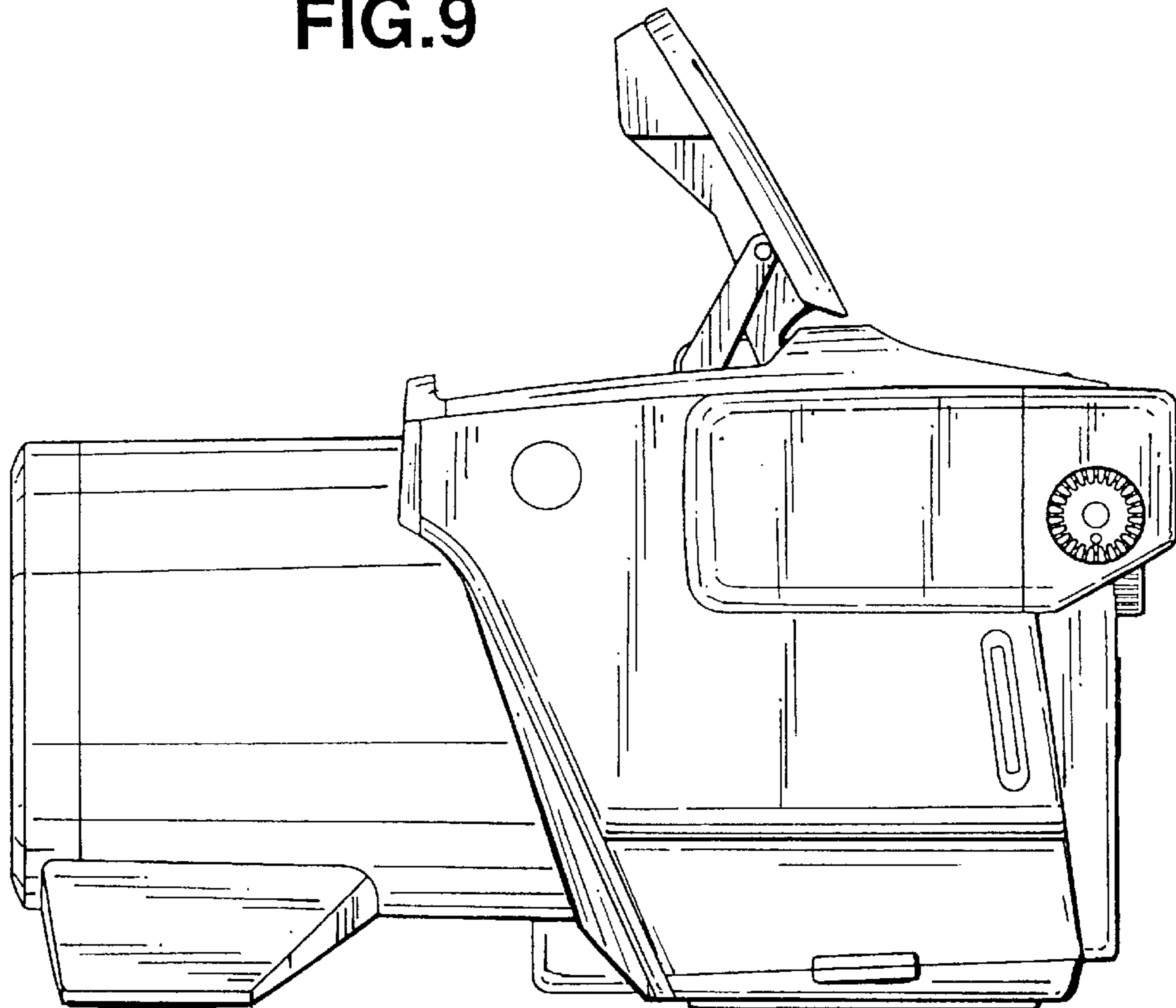


FIG. 10