



US00D425093S

# United States Patent [19] Chang

[11] Patent Number: **Des. 425,093**

[45] Date of Patent: **\*\* May 16, 2000**

[54] CAMERA

[75] Inventor: **Joe Chang**, Taichung, Taiwan

[73] Assignee: **Largan Digital Co., Ltd.**, Taichung, Taiwan

[\*\*] Term: **14 Years**

[21] Appl. No.: **29/100,286**

[22] Filed: **Feb. 8, 1999**

[51] LOC (7) Cl. .... **16-01**

[52] U.S. Cl. .... **D16/209; D16/218**

[58] Field of Search ..... **D16/200-205, D16/208, 209, 212, 217, 218; 396/6, 25-29, 535-541**

[56] **References Cited**

**U.S. PATENT DOCUMENTS**

D. 385,569	10/1997	Takimura	.....	D16/202
D. 385,572	10/1997	Hoshi et al.	.....	D16/209
D. 408,429	4/1999	Ha	.....	D16/218
D. 411,851	7/1999	Song	.....	D16/209
5,649,235	7/1997	Ando et al.	.....	396/6

*Primary Examiner*—Adir Aronovich  
*Attorney, Agent, or Firm*—Browdy and Neimark

[57] **CLAIM**

The ornamental design for a camera, as shown and described.

**DESCRIPTION**

FIG. 1 shows a perspective view of a camera with the lens being in the retraction state.

FIG. 2 shows a right elevational view of the present invention.

FIG. 3 shows a top plan view of the present invention.

FIG. 4 shows a front elevational view of the present invention.

FIG. 5 shows a bottom plan view of the present invention.

FIG. 6 shows a left elevational view of the present invention.

FIG. 7 shows a rear elevational view of the present invention.

FIG. 8 shows a perspective view of the camera with the lens being in the extraction state and in use.

FIG. 9 shows a right elevational view of the present invention in use.

FIG. 10 shows a top plan view of the present invention in use.

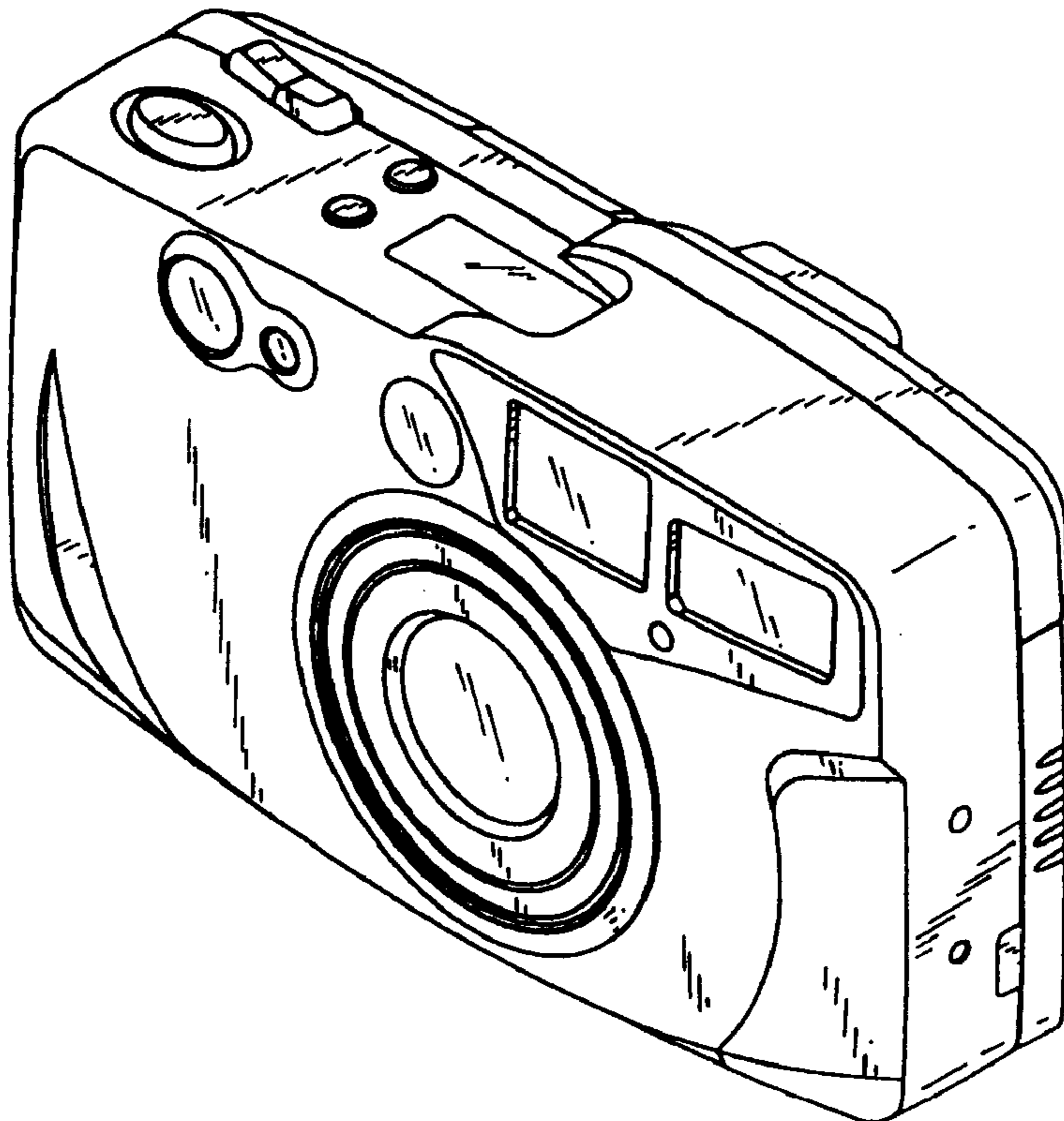
FIG. 11 shows a front elevational view of the present invention in use.

FIG. 12 shows a bottom plan view of the present invention in use.

FIG. 13 shows a left elevational view of the present invention in use; and,

FIG. 14 shows a rear elevational view of the present invention in use.

**1 Claim, 6 Drawing Sheets**



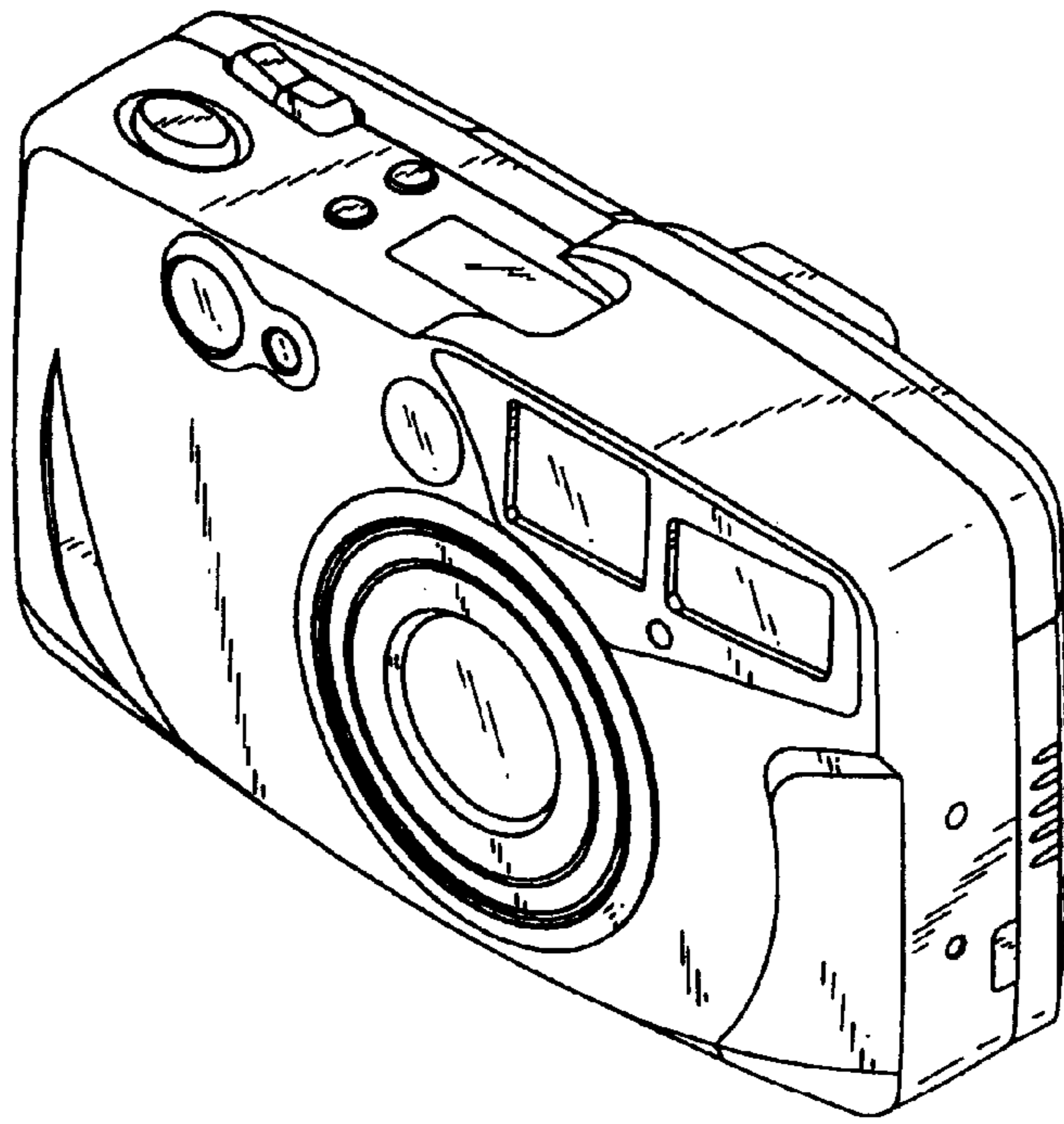


FIG. 1

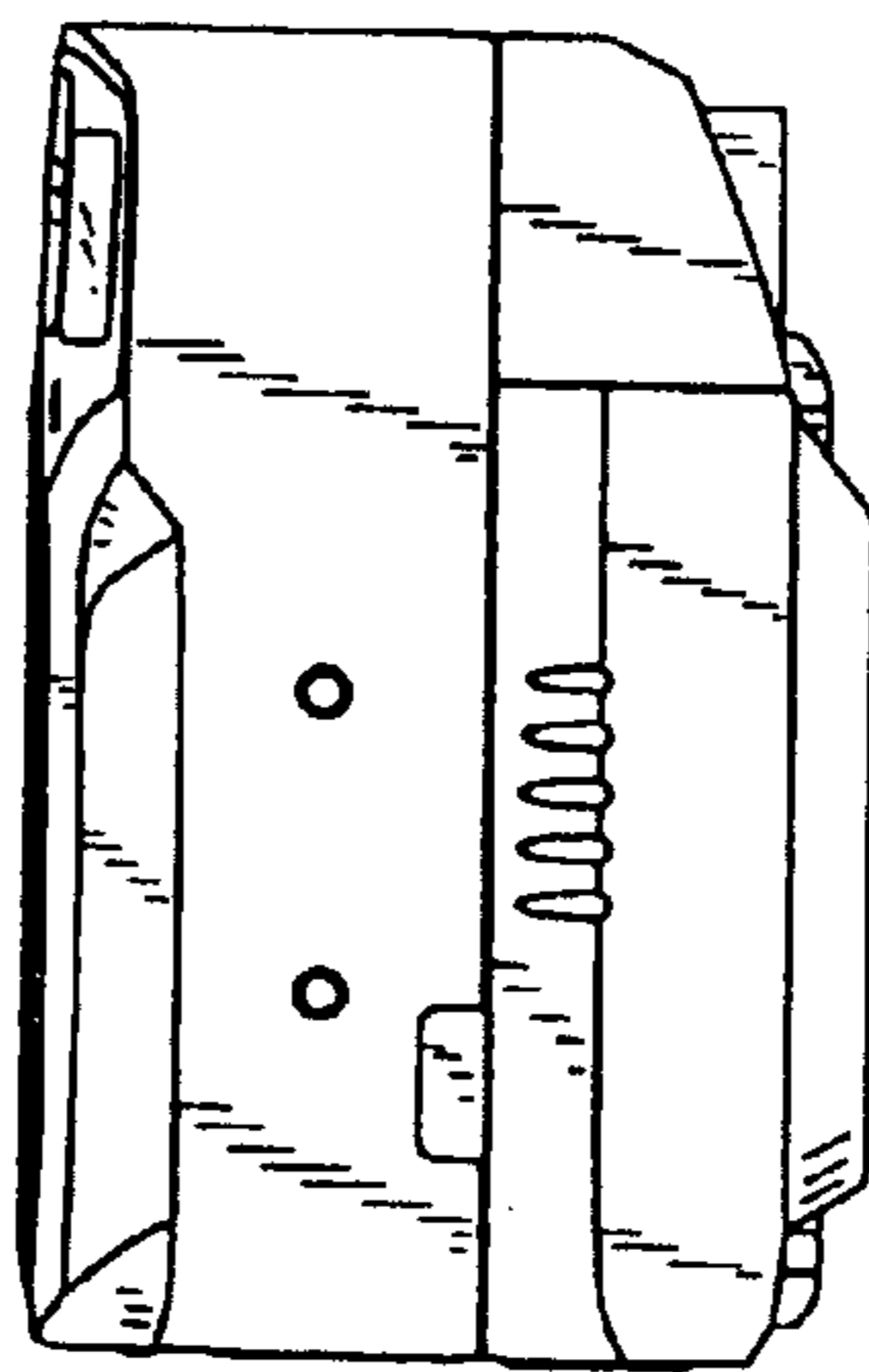


FIG. 2

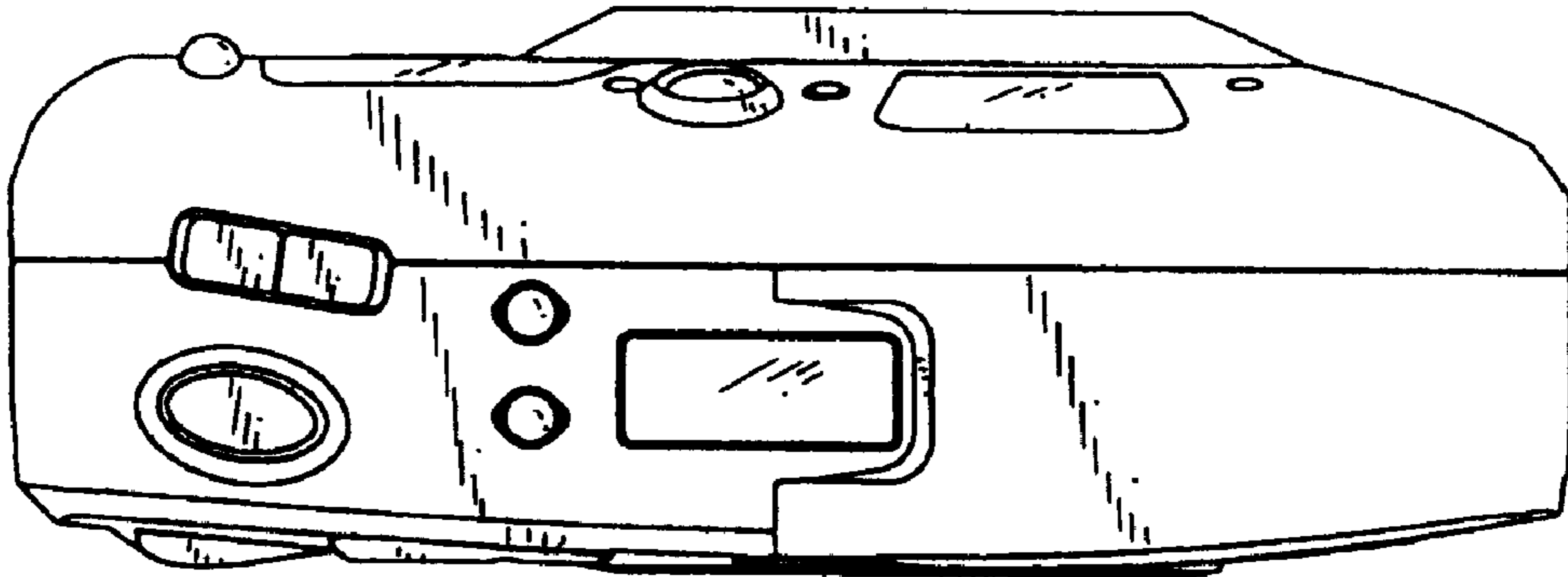


FIG. 3

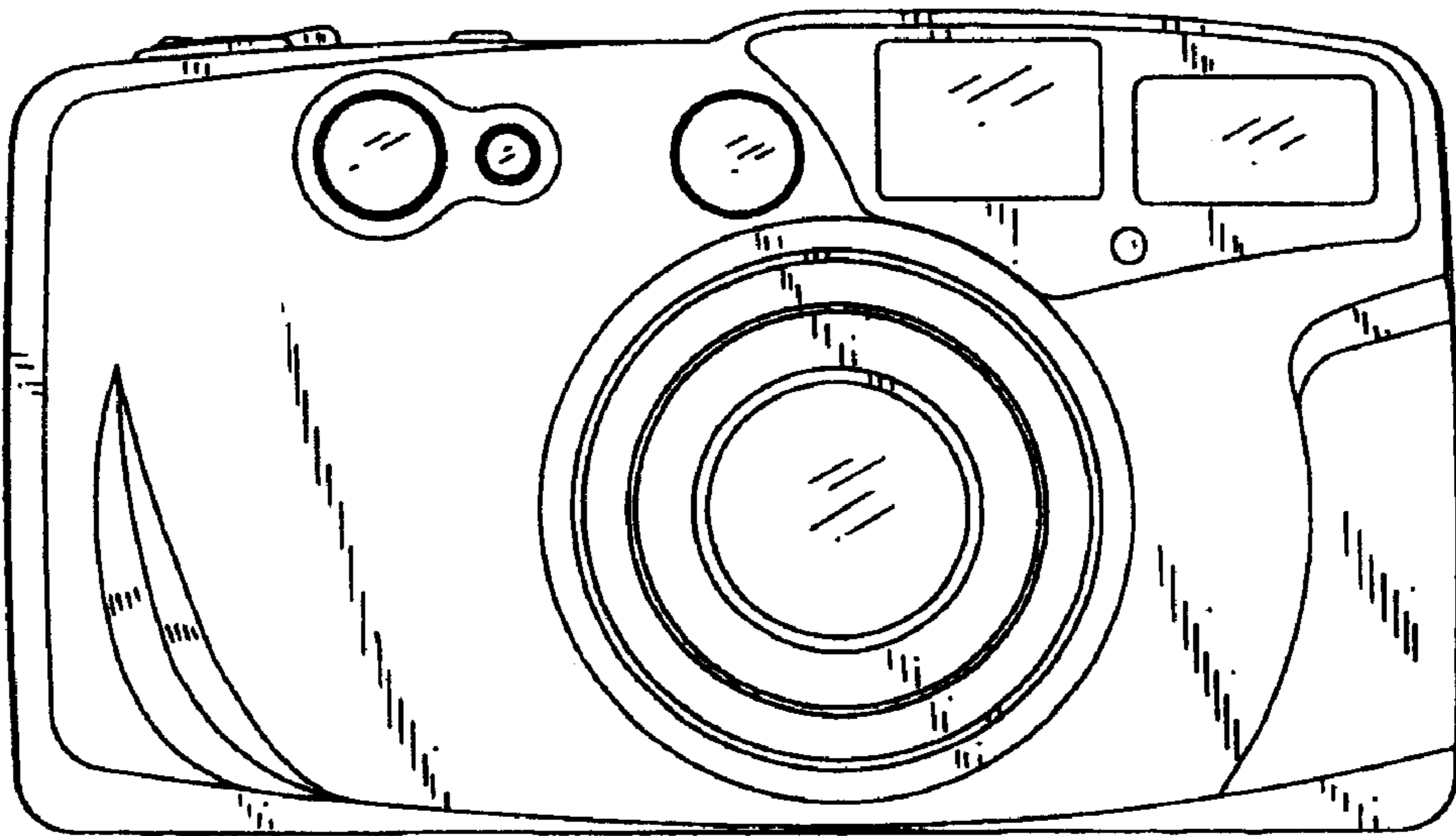


FIG. 4

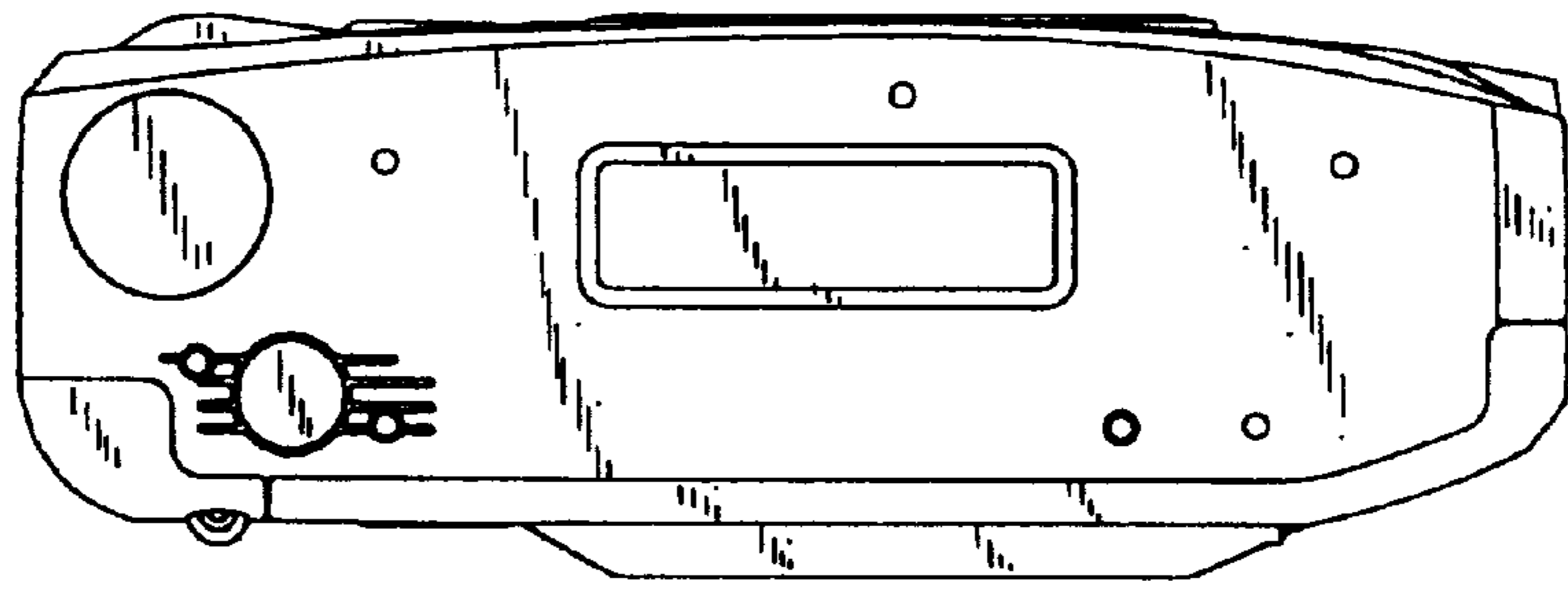


FIG. 5

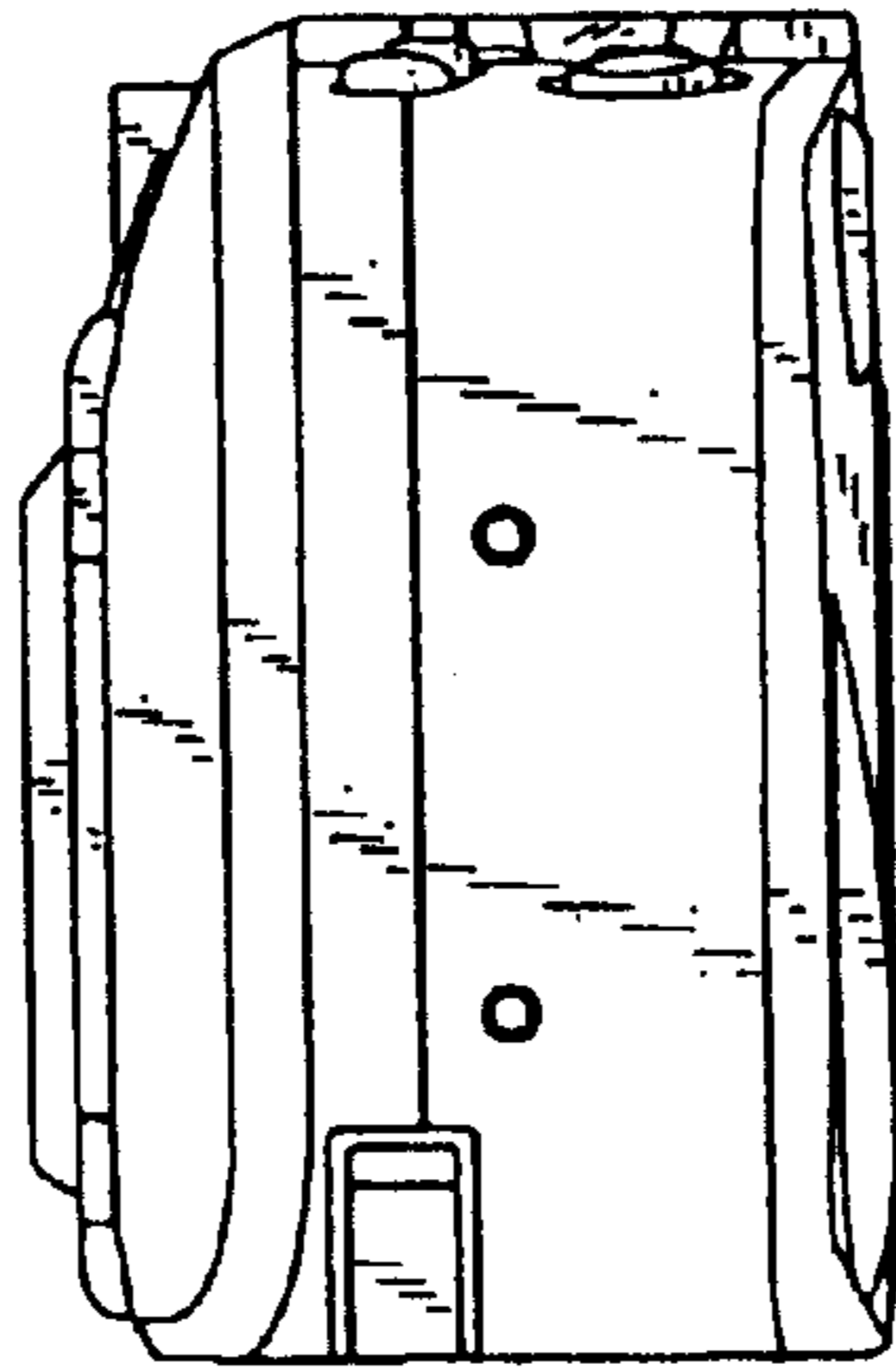


FIG. 6

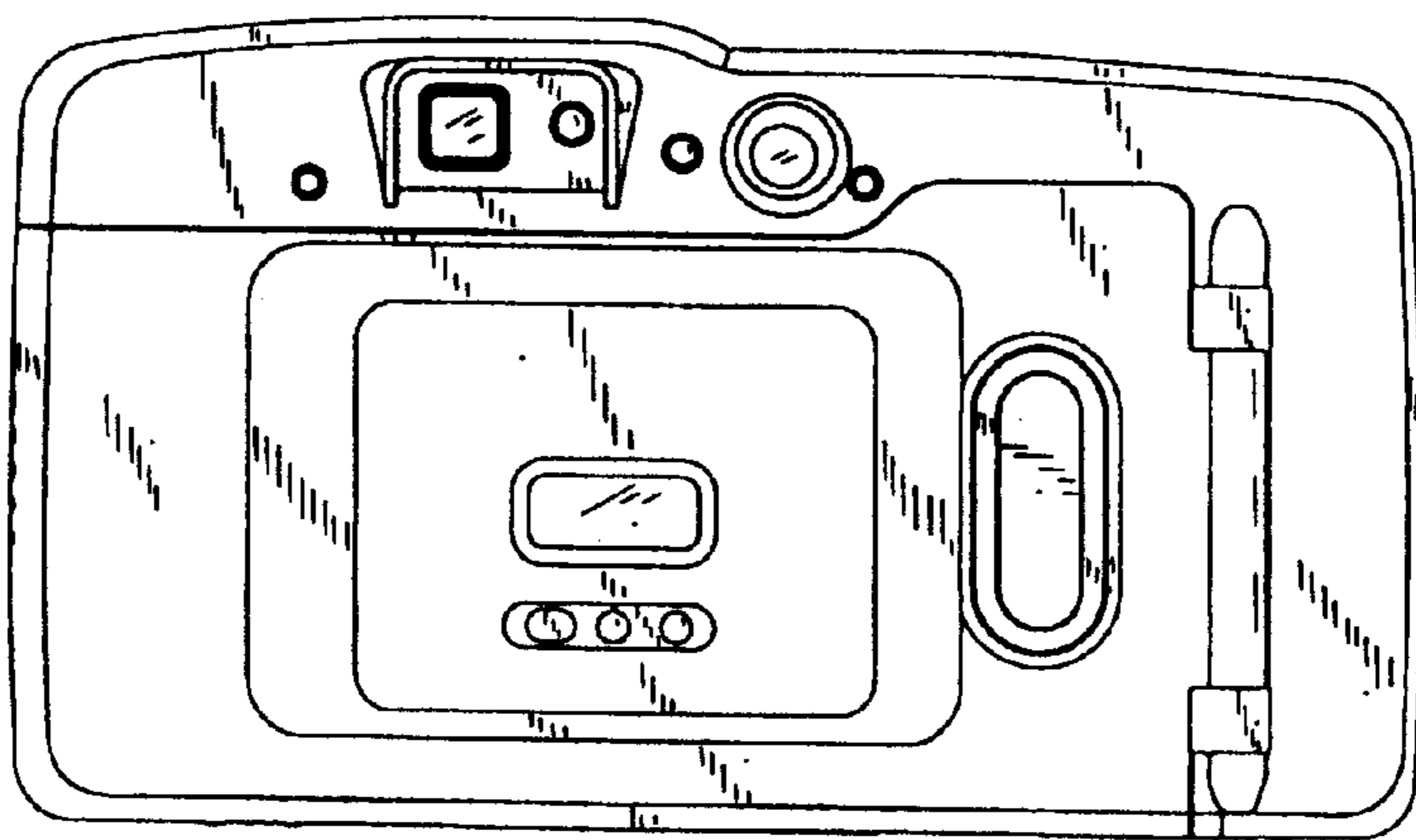


FIG. 7

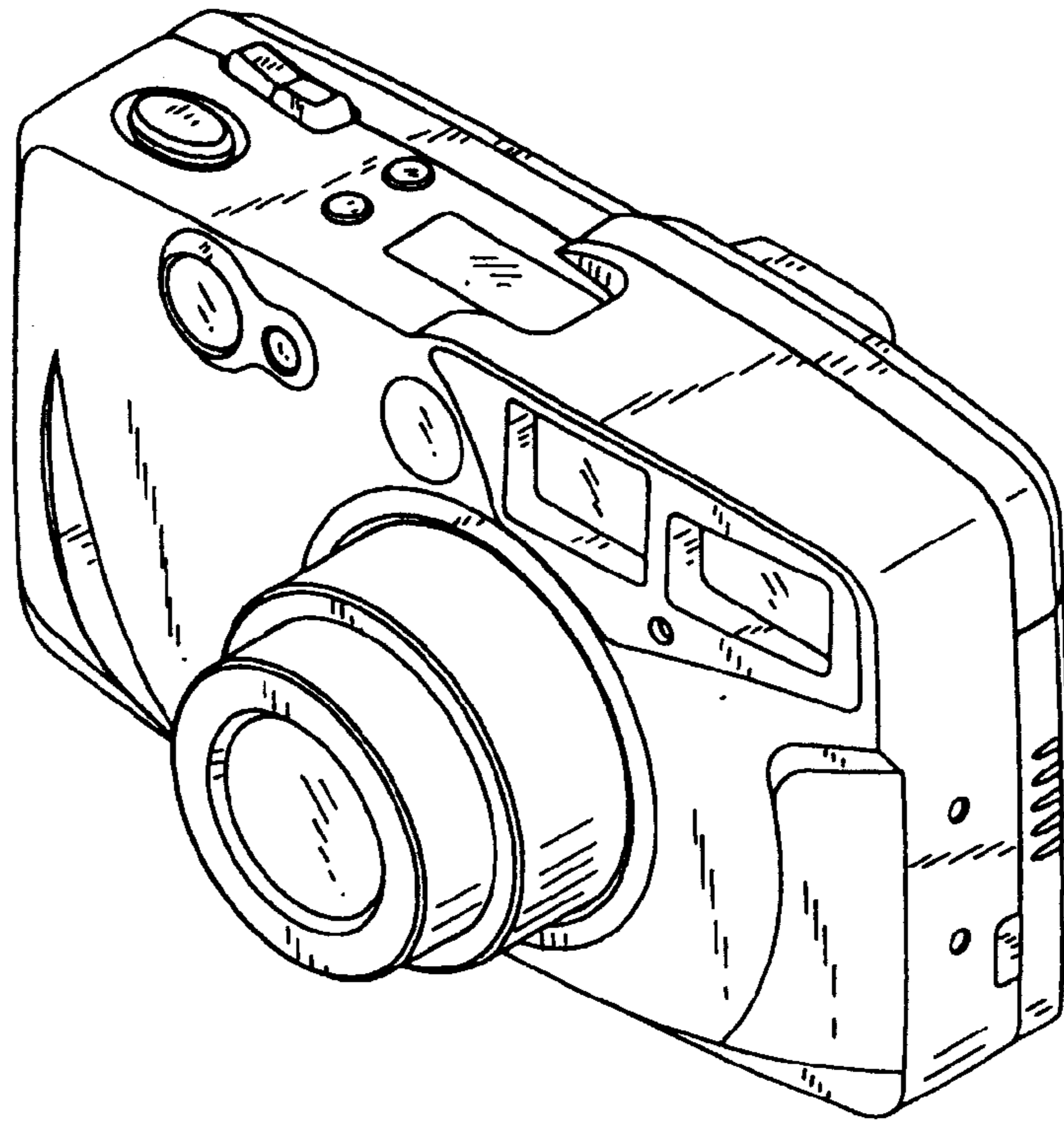


FIG. 8

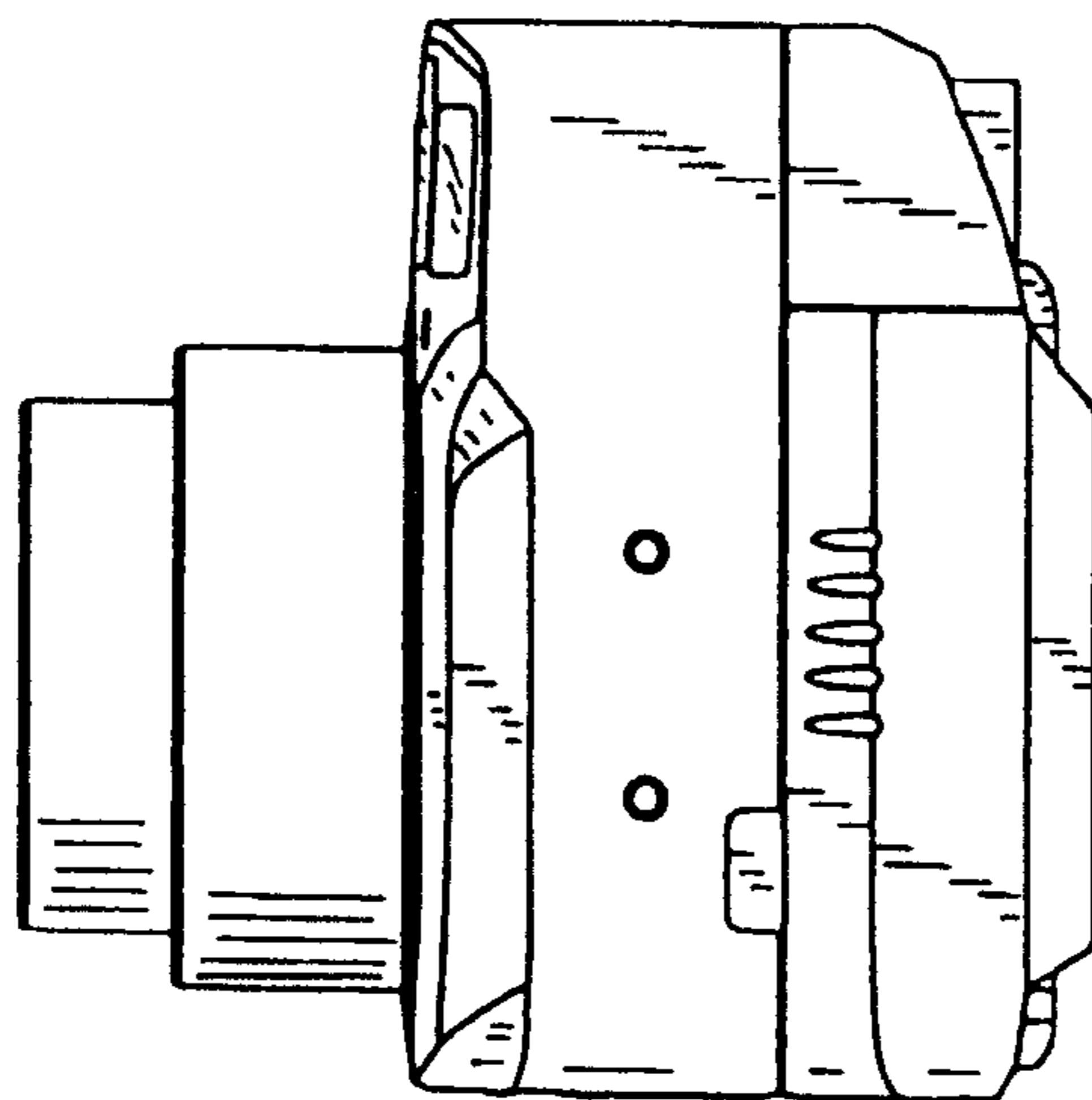


FIG. 9



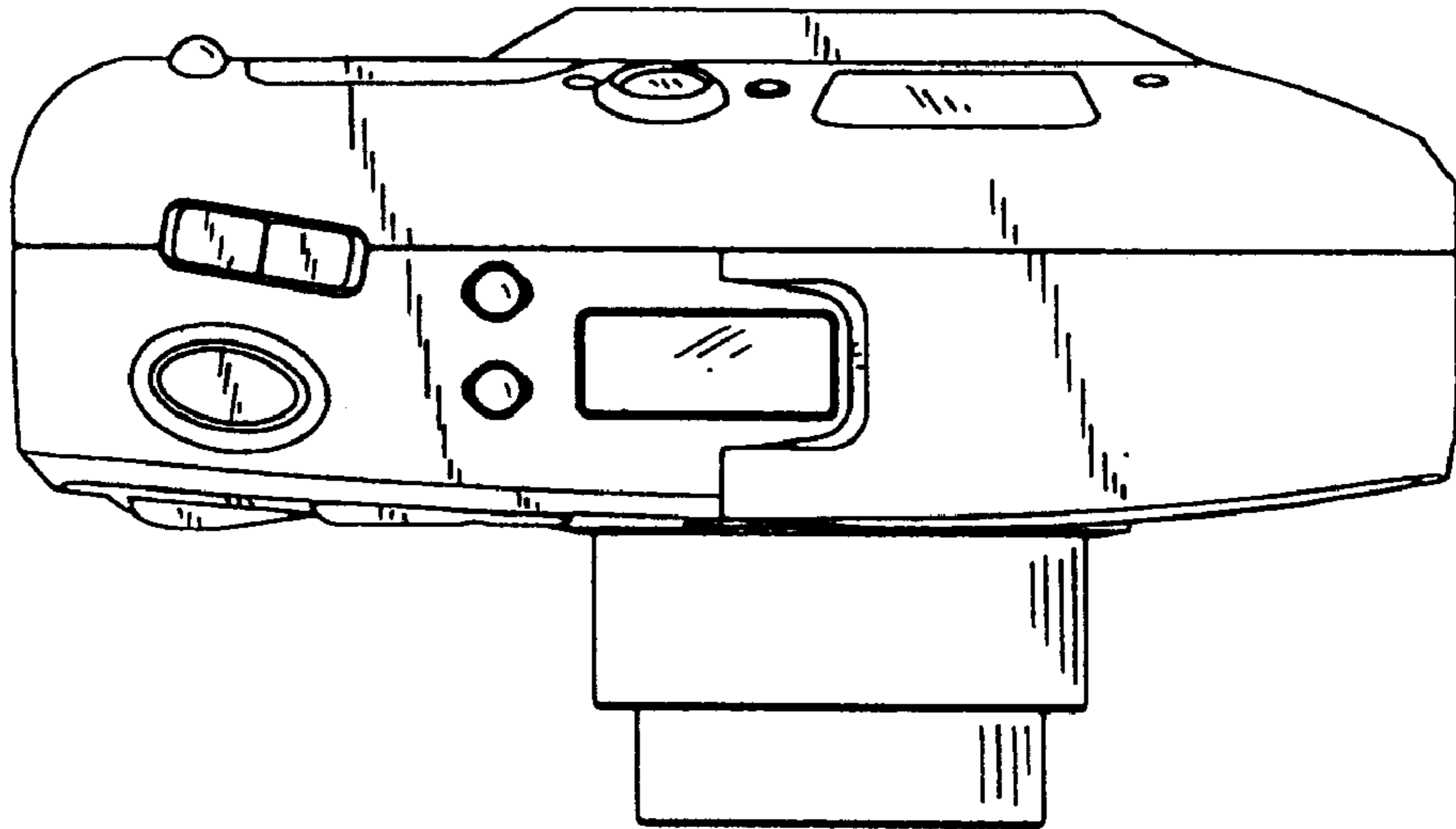


FIG. 10

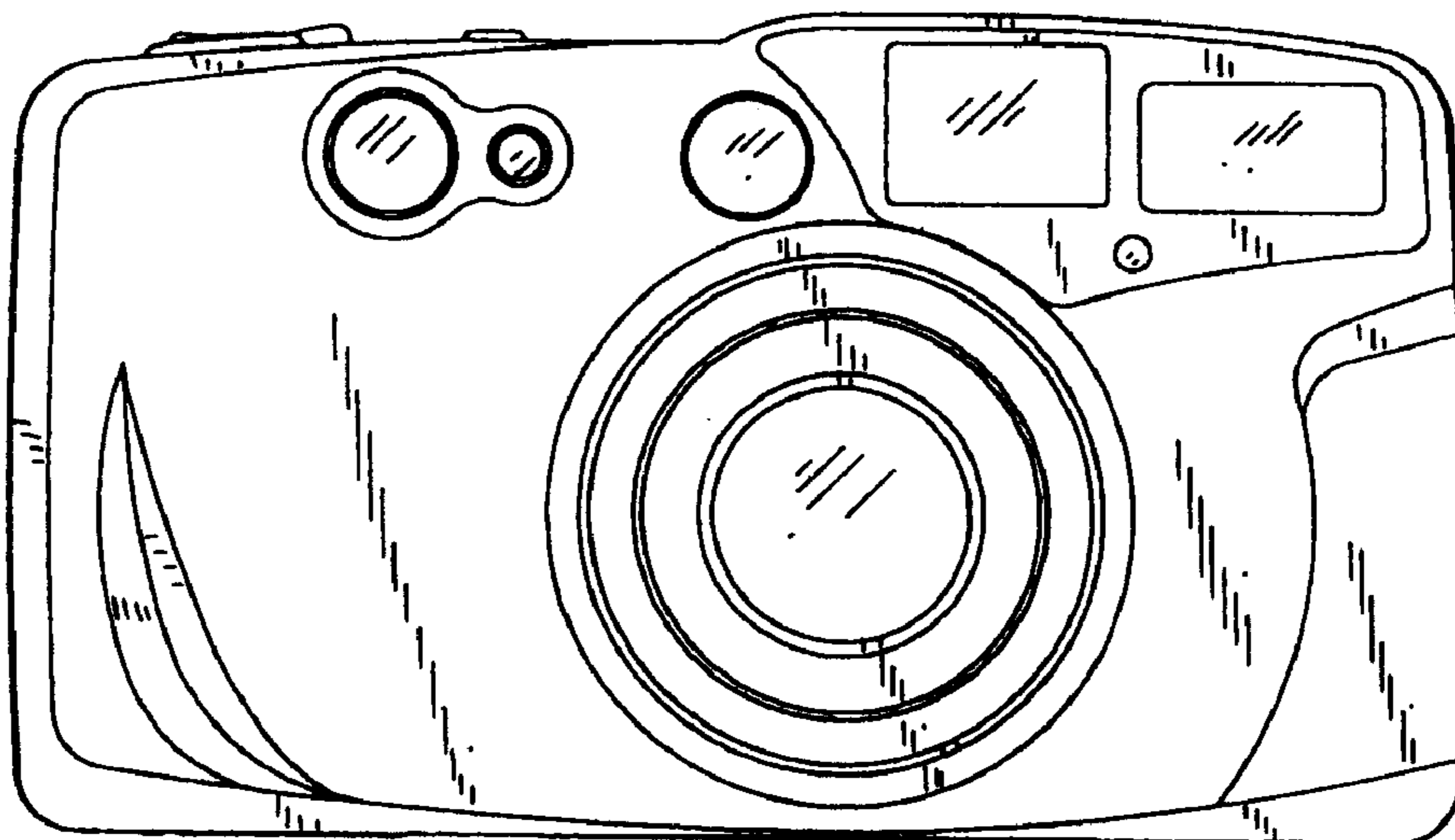


FIG. 11

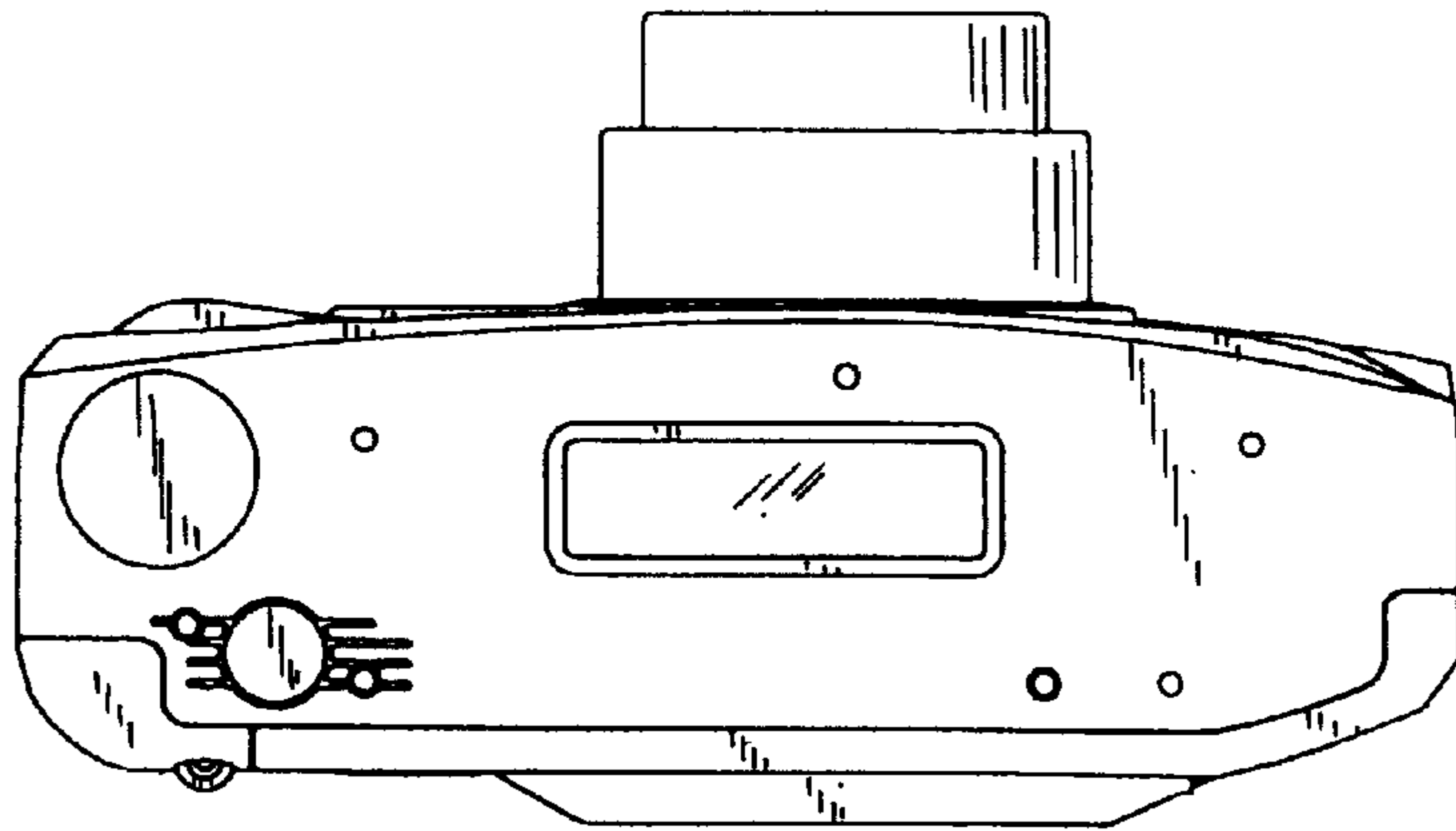


FIG. 12

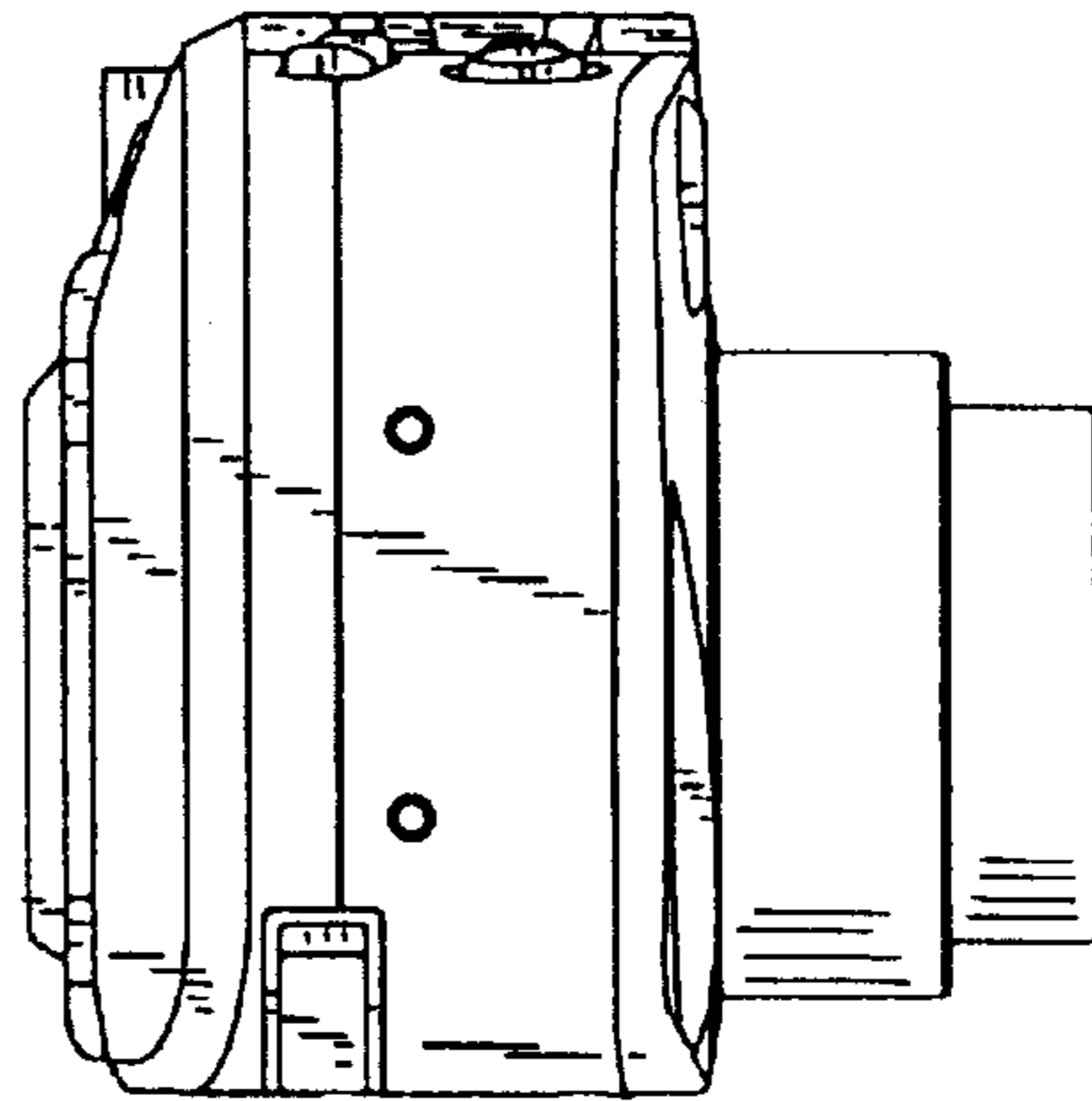


FIG. 13

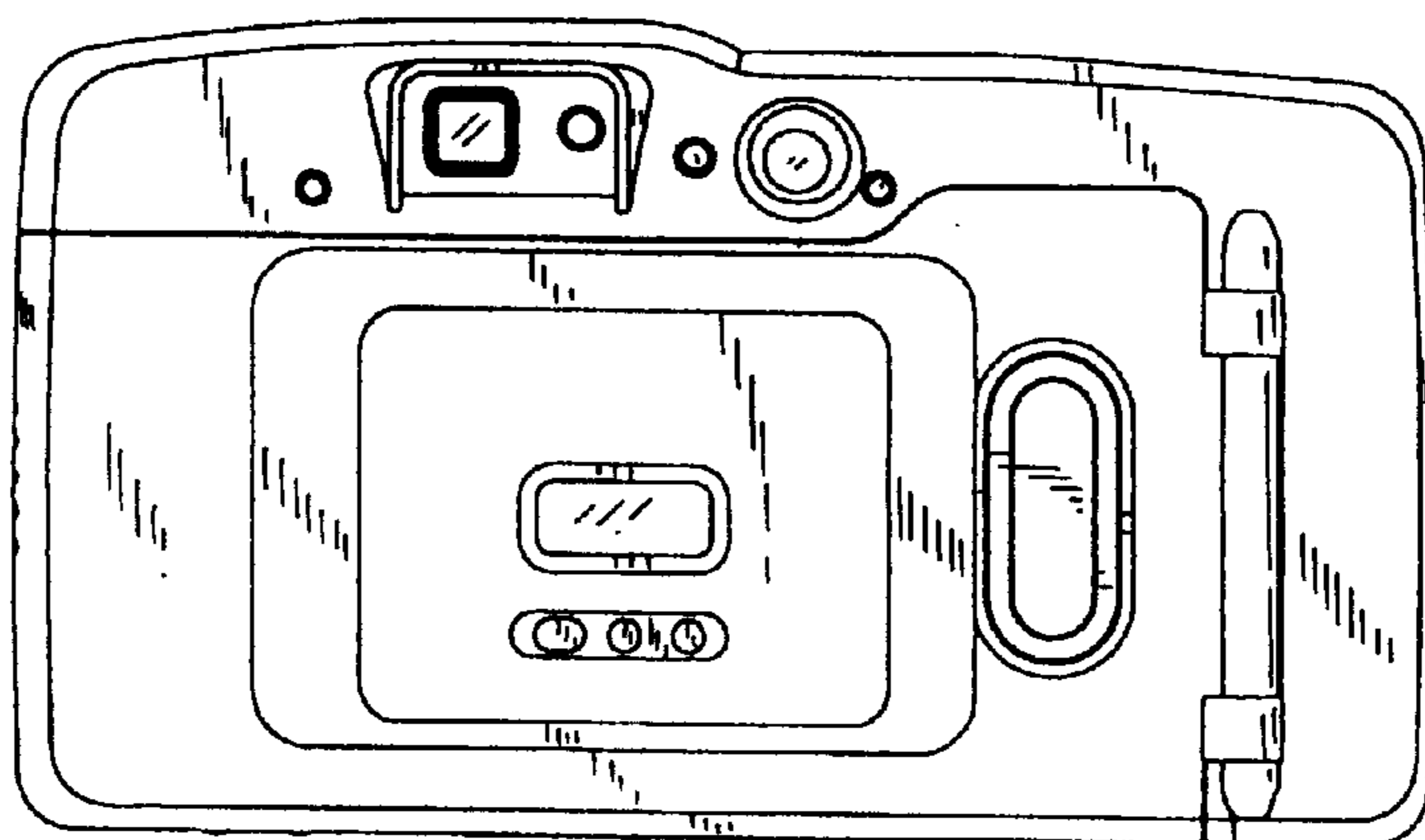


FIG. 14