



US00D425090S

United States Patent [19]

Tashiro

[11] Patent Number: **Des. 425,090**

[45] Date of Patent: **** May 16, 2000**

[54] **VIDEO CAMERA WITH VIDEO TAPE RECORDER**

[75] Inventor: **Naoki Tashiro**, Kawasaki, Japan

[73] Assignee: **Canon Kabushiki Kaisha**, Tokyo, Japan

[**] Term: **14 Years**

[21] Appl. No.: **29/107,570**

[22] Filed: **Jul. 9, 1999**

[30] **Foreign Application Priority Data**

Jan. 14, 1999 [JP] Japan 11-773

[51] **LOC (7) Cl.** **16-01**

[52] **U.S. Cl.** **D16/202**

[58] **Field of Search** D16/200-206, D16/208; 348/373-376; 396/535-541

[56] **References Cited**

U.S. PATENT DOCUMENTS

- D. 316,420 4/1991 Tanaka D16/202
- D. 331,935 12/1992 Tanaka D16/202
- D. 337,340 7/1993 Tanaka D16/202

- D. 350,360 9/1994 Masuda D16/202
- D. 368,922 4/1996 Tanaka D16/202
- D. 374,241 10/1996 Sekine D16/202
- D. 377,941 2/1997 Tanaka D16/202
- D. 381,995 8/1997 Sumita D16/202
- D. 388,106 12/1997 Tanaka D16/202
- D. 409,639 5/1999 Sumita D16/202
- 5,499,052 3/1996 Nakanishi et al. 348/373

Primary Examiner—Adir Aronovich
Attorney, Agent, or Firm—Fitzpatrick, Cella, Harper & Scinto

[57] **CLAIM**

The ornamental design for a video camera with video tape recorder, as shown and described.

DESCRIPTION

FIG. 1 is a front view of a video camera with video tape recorder showing my new design; FIG. 2 is a rear view thereof; FIG. 3 is a top plan view thereof; FIG. 4 is a bottom plan view thereof; FIG. 5 is a left side view thereof; FIG. 6 is a right side view thereof; and, FIG. 7 is a perspective view thereof.

1 Claim, 6 Drawing Sheets

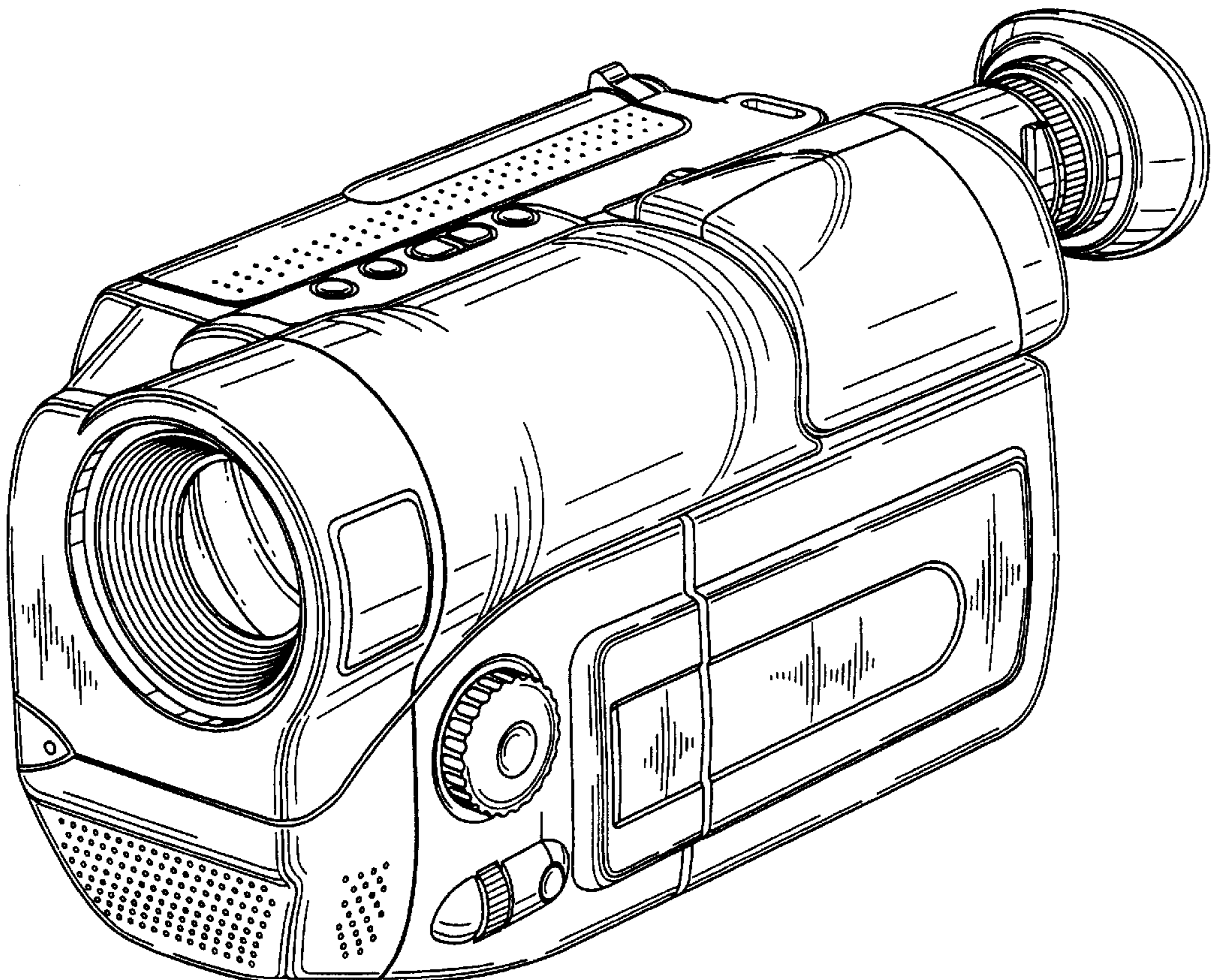


FIG. 2

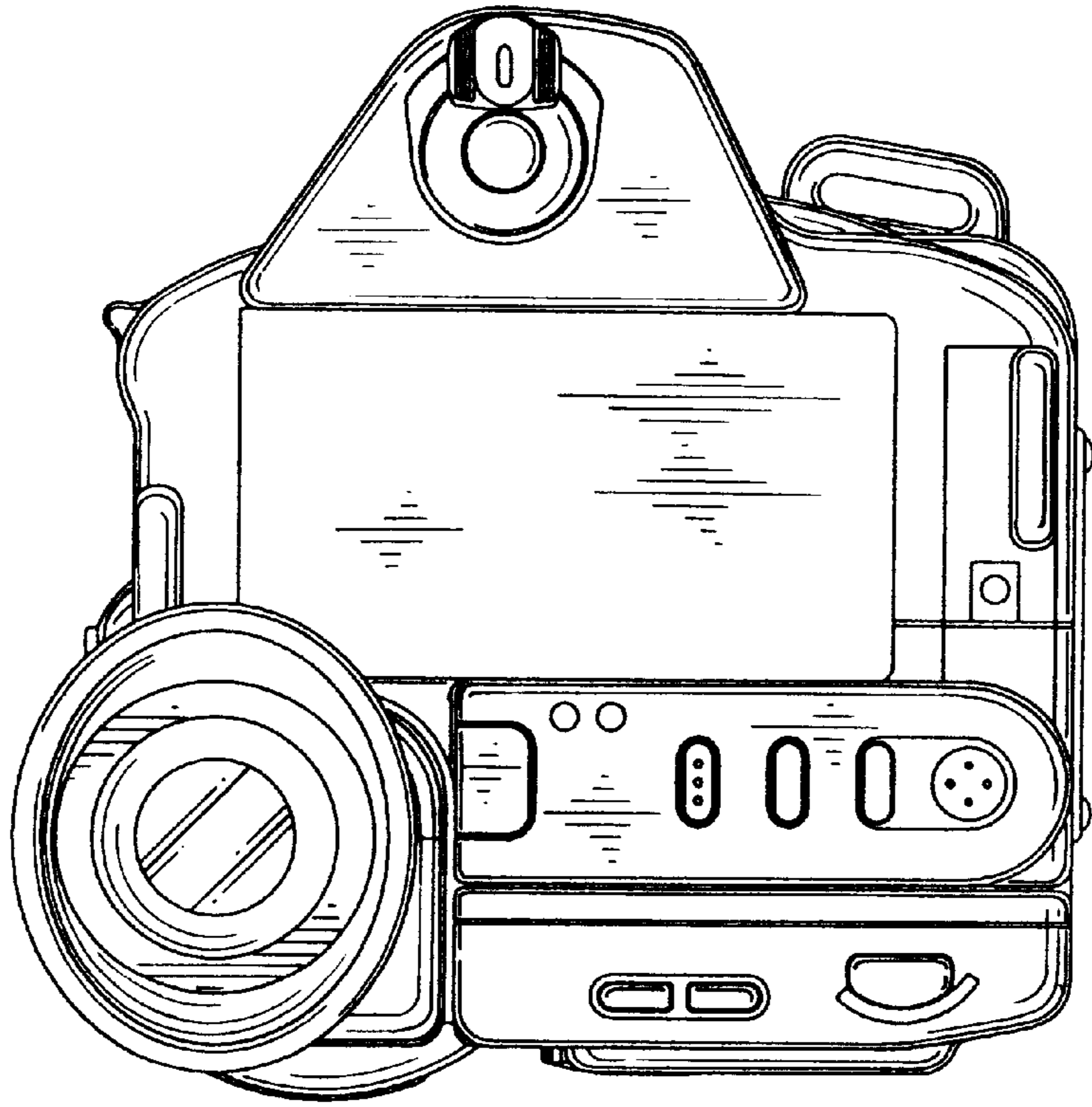


FIG. 1

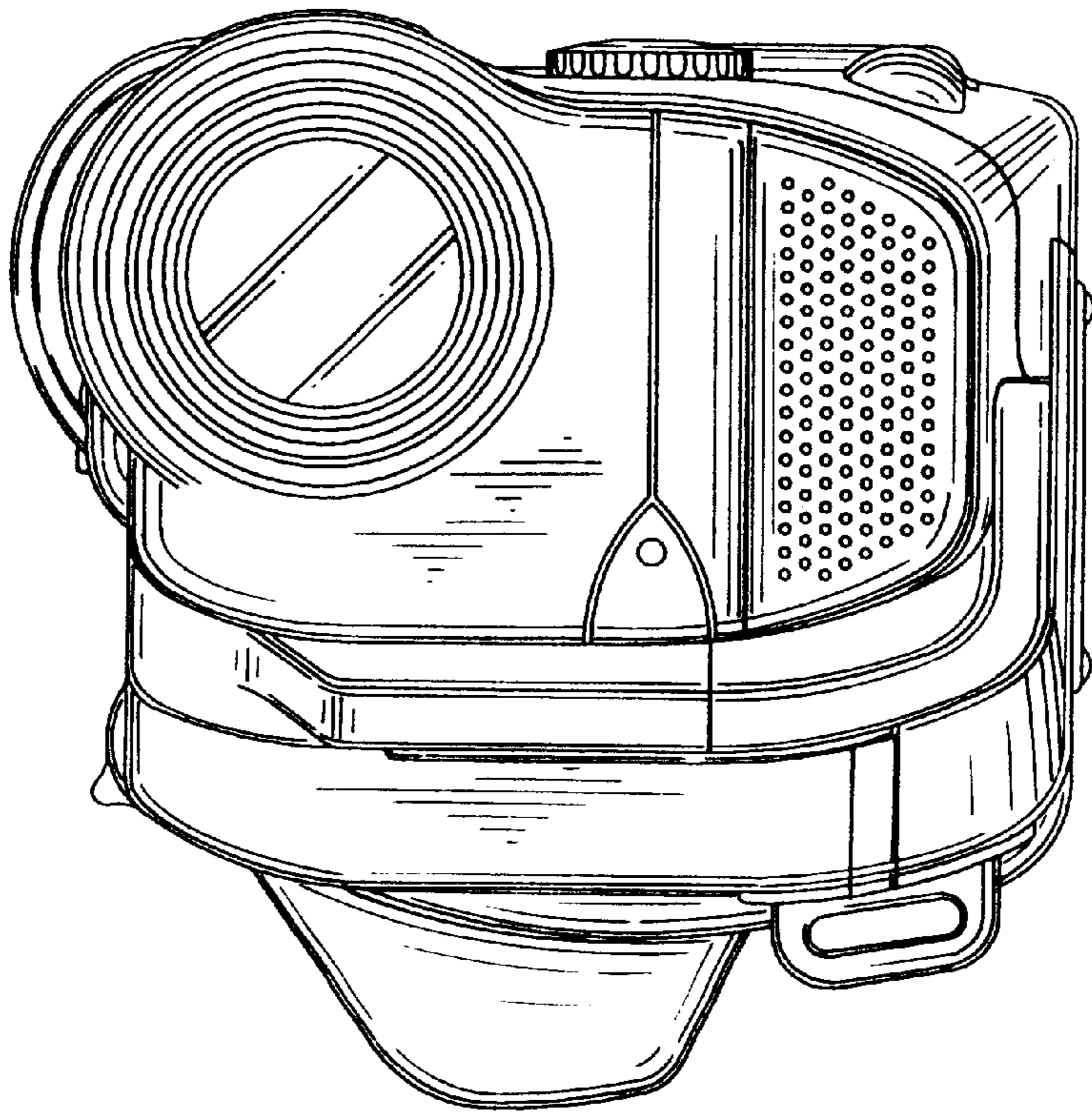


FIG. 3

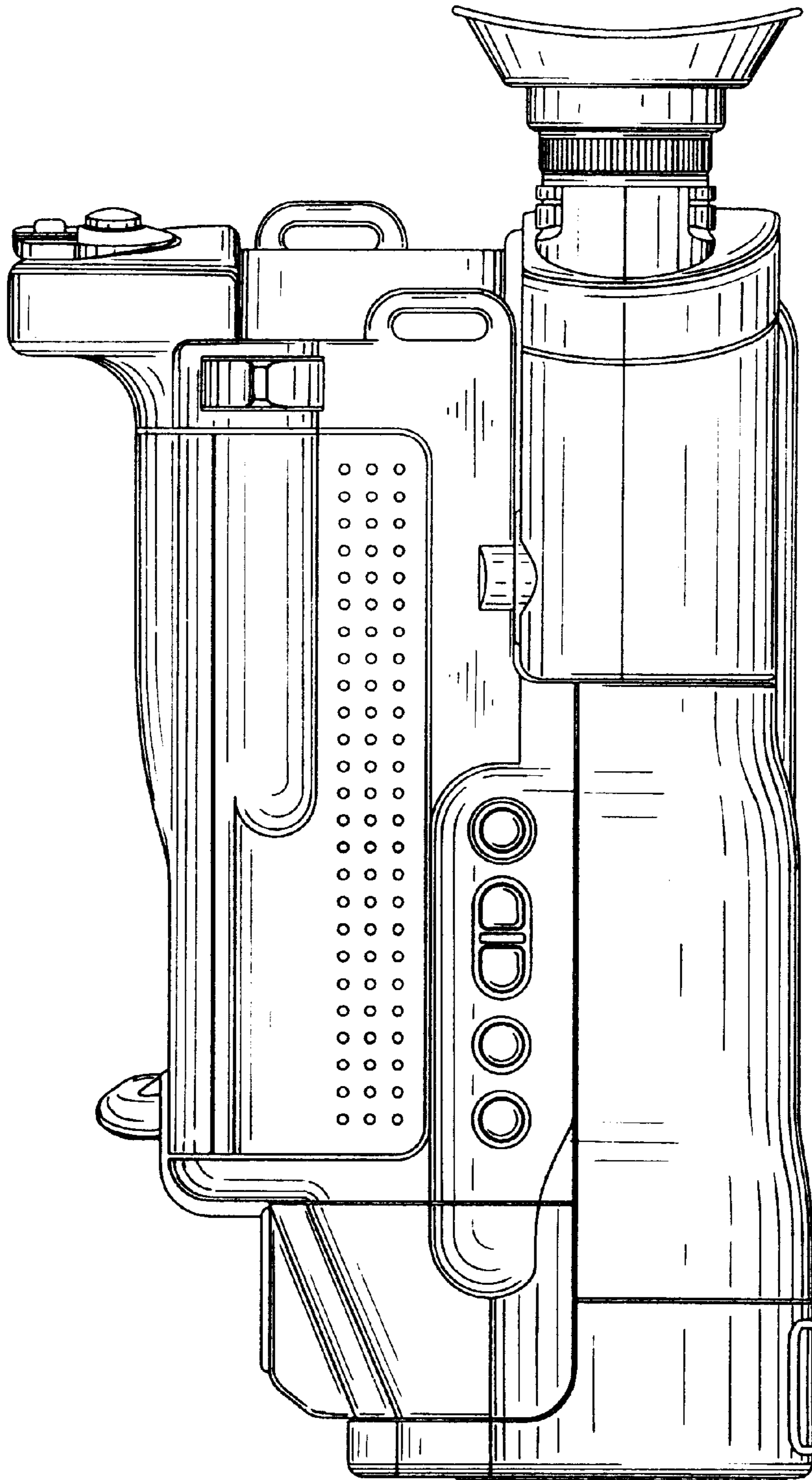


FIG. 4

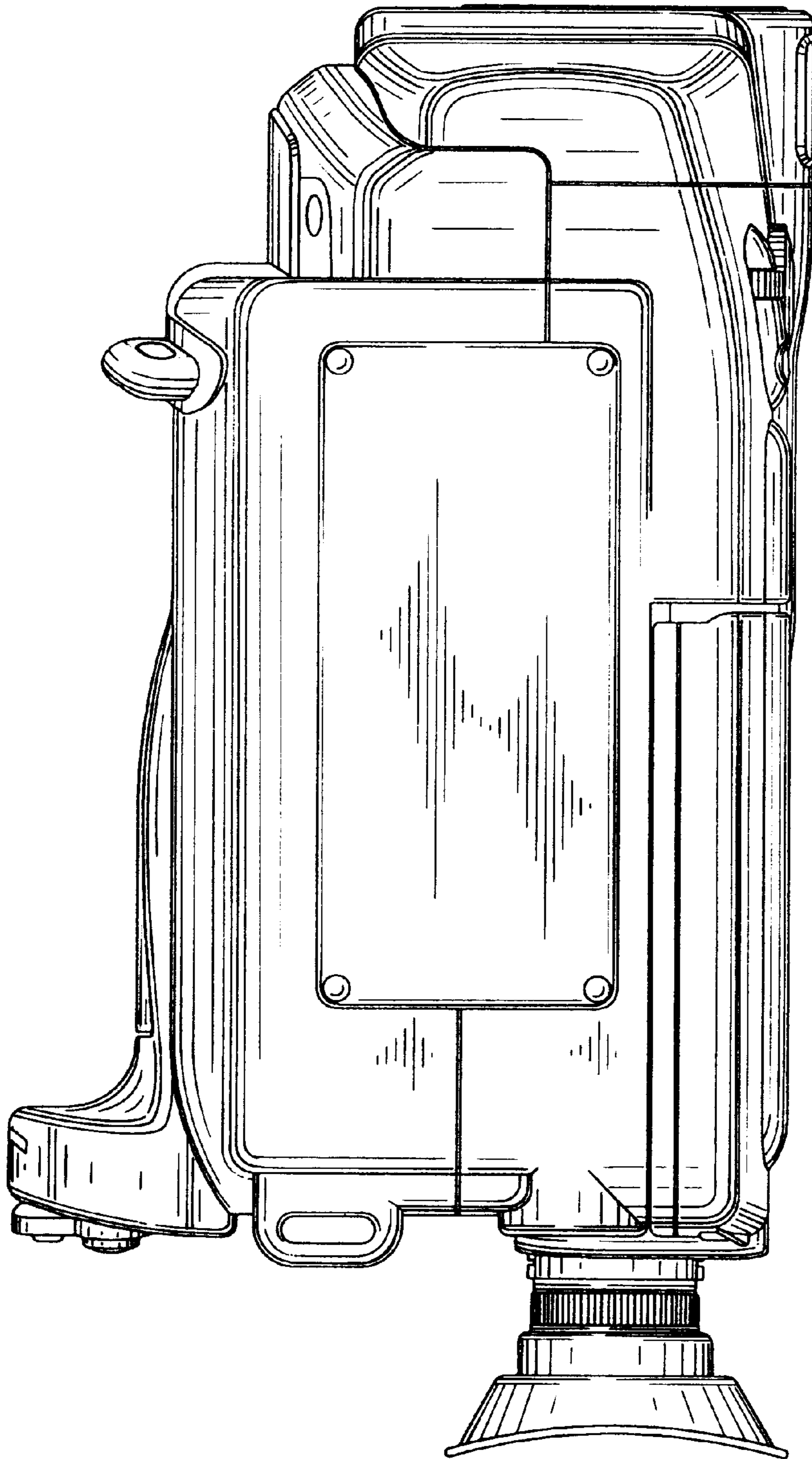


FIG. 5

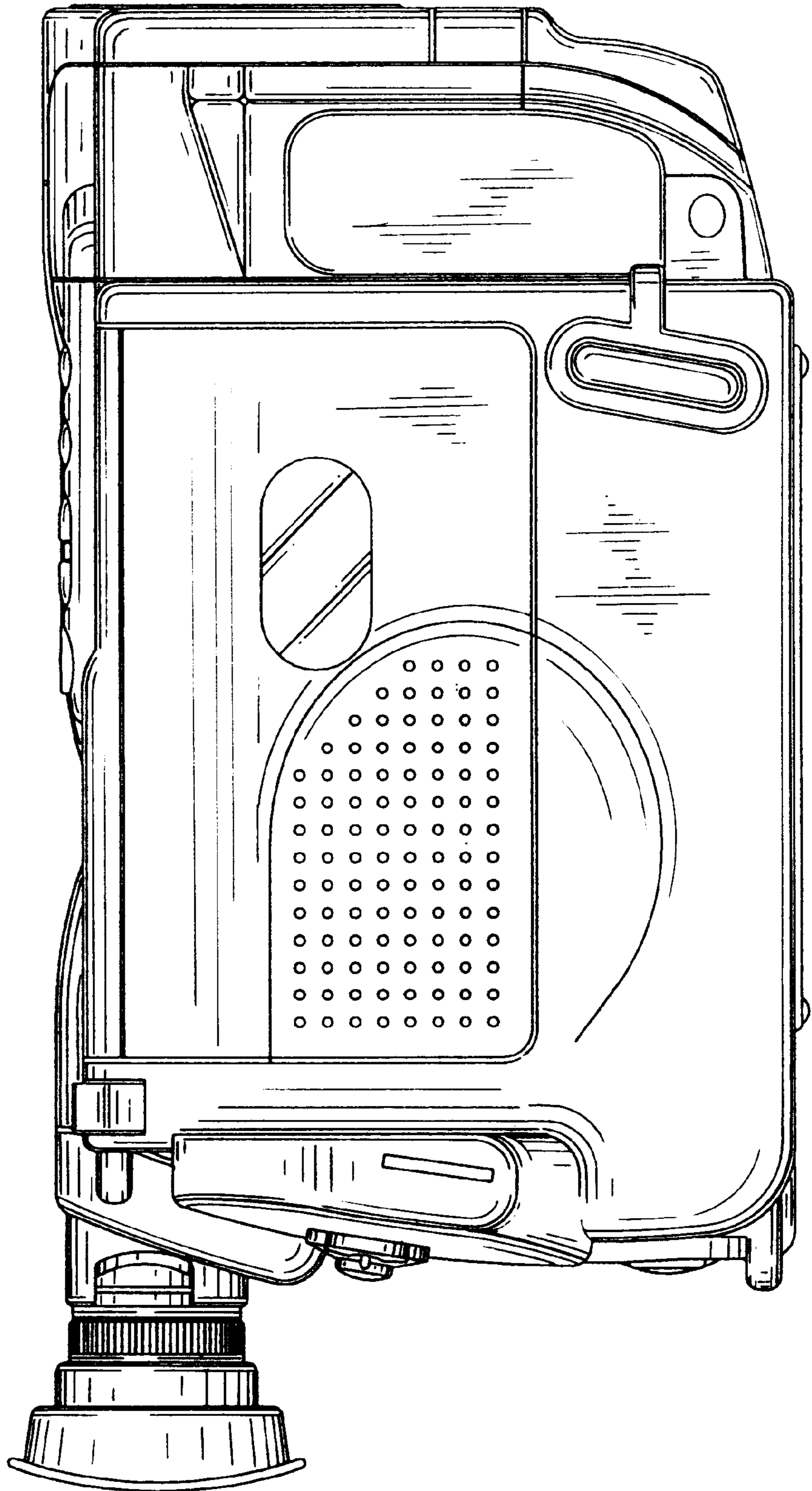


FIG. 6

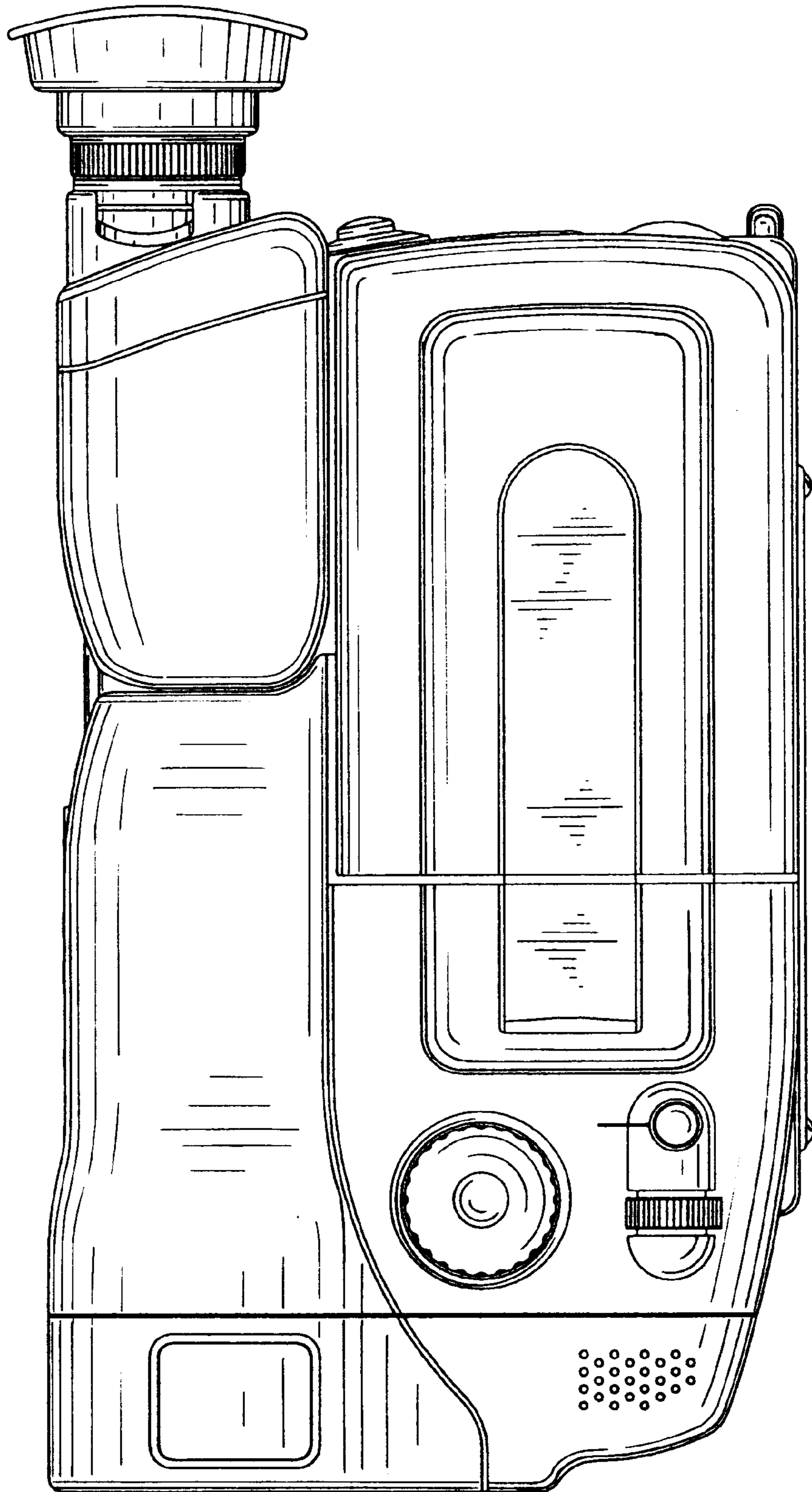


FIG. 7

