



US00D425089S

United States Patent [19] Ting

[11] **Patent Number: Des. 425,089**

[45] **Date of Patent: ** May 16, 2000**

[54] **DIGITAL CAMERA**

D. 401,257 11/1998 Iino D16/202
3,001,461 9/1961 Irwin 396/176

[75] Inventor: **Chih-Yu Ting**, Sanchung, Taiwan

*Primary Examiner—Adir Aronovich
Attorney, Agent, or Firm—A & J*

[73] Assignee: **Opcom Inc.**

[**] Term: **14 Years**

[57] **CLAIM**

[21] Appl. No.: **29/102,605**

The ornamental design for a digital camera, as shown and described.

[22] Filed: **Mar. 29, 1999**

DESCRIPTION

[51] **LOC (7) Cl.** **16-01**

[52] **U.S. Cl.** **D16/202; D16/218**

[58] **Field of Search** D16/200–205,
D16/208, 209, 216–218; 348/373–376;
358/909.1; 396/176, 535–543

FIG. 1 is a perspective view of a digital camera showing my new design.

FIG. 2 is a front view thereof;

FIG. 3 is a rear view thereof;

FIG. 4 is a left side elevational view thereof;

FIG. 5 is a right side elevational view thereof;

FIG. 6 is a top plan view thereof; and,

FIG. 7 is a bottom plan view thereof.

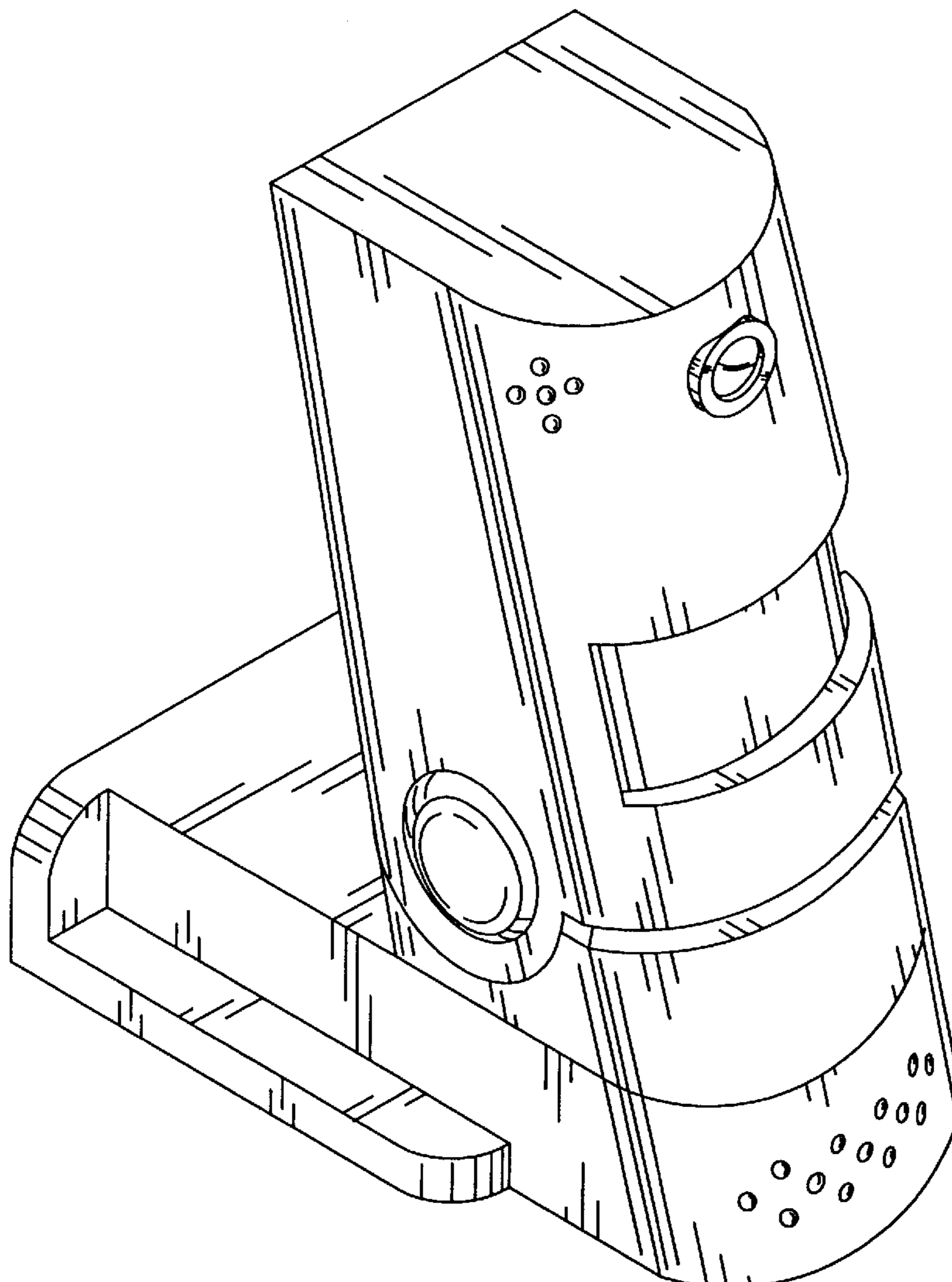
[56] **References Cited**

U.S. PATENT DOCUMENTS

D. 184,541 3/1959 Smith D16/218

D. 394,668 5/1998 Iino D16/202

1 Claim, 4 Drawing Sheets



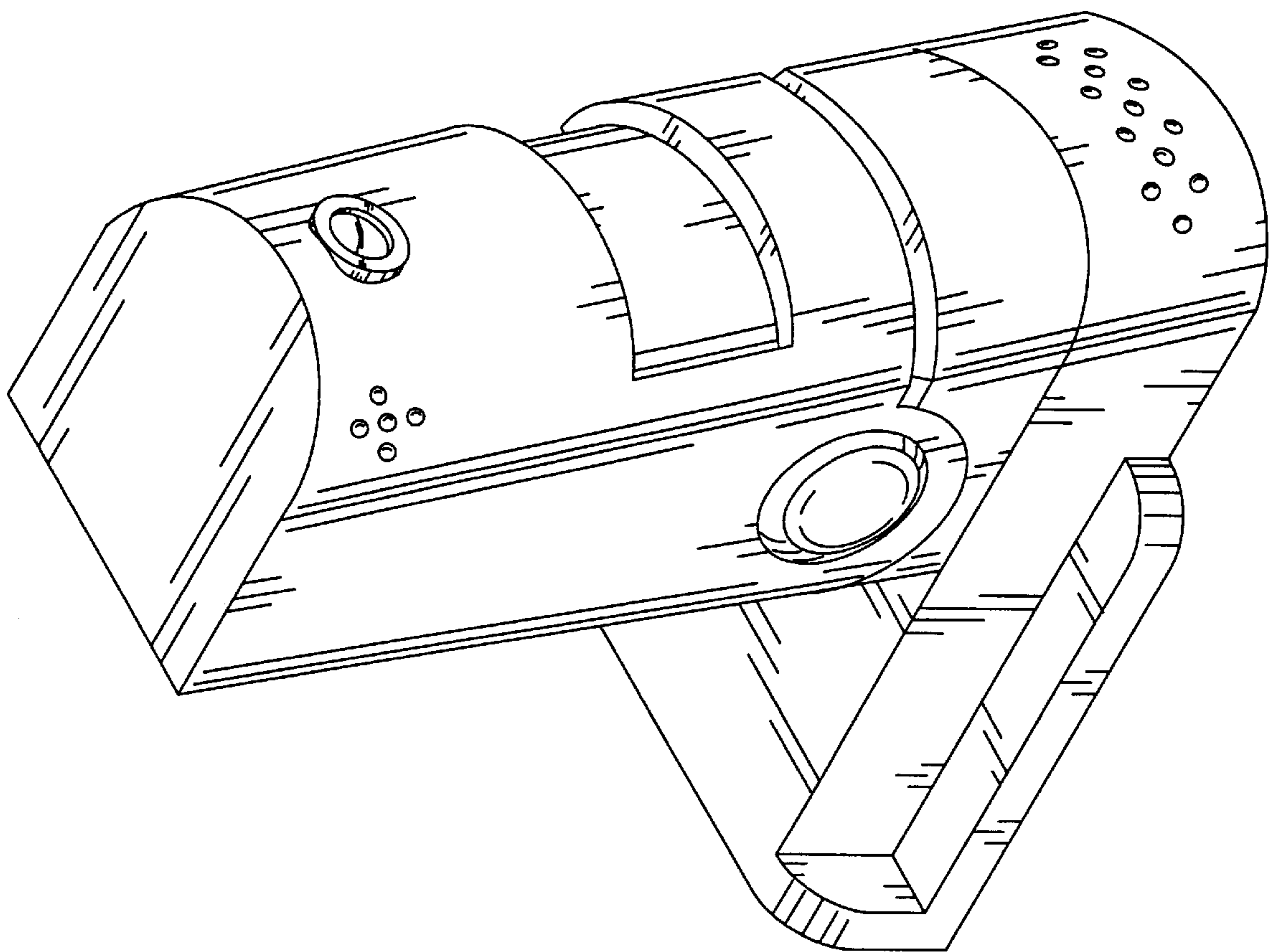


FIG. 1

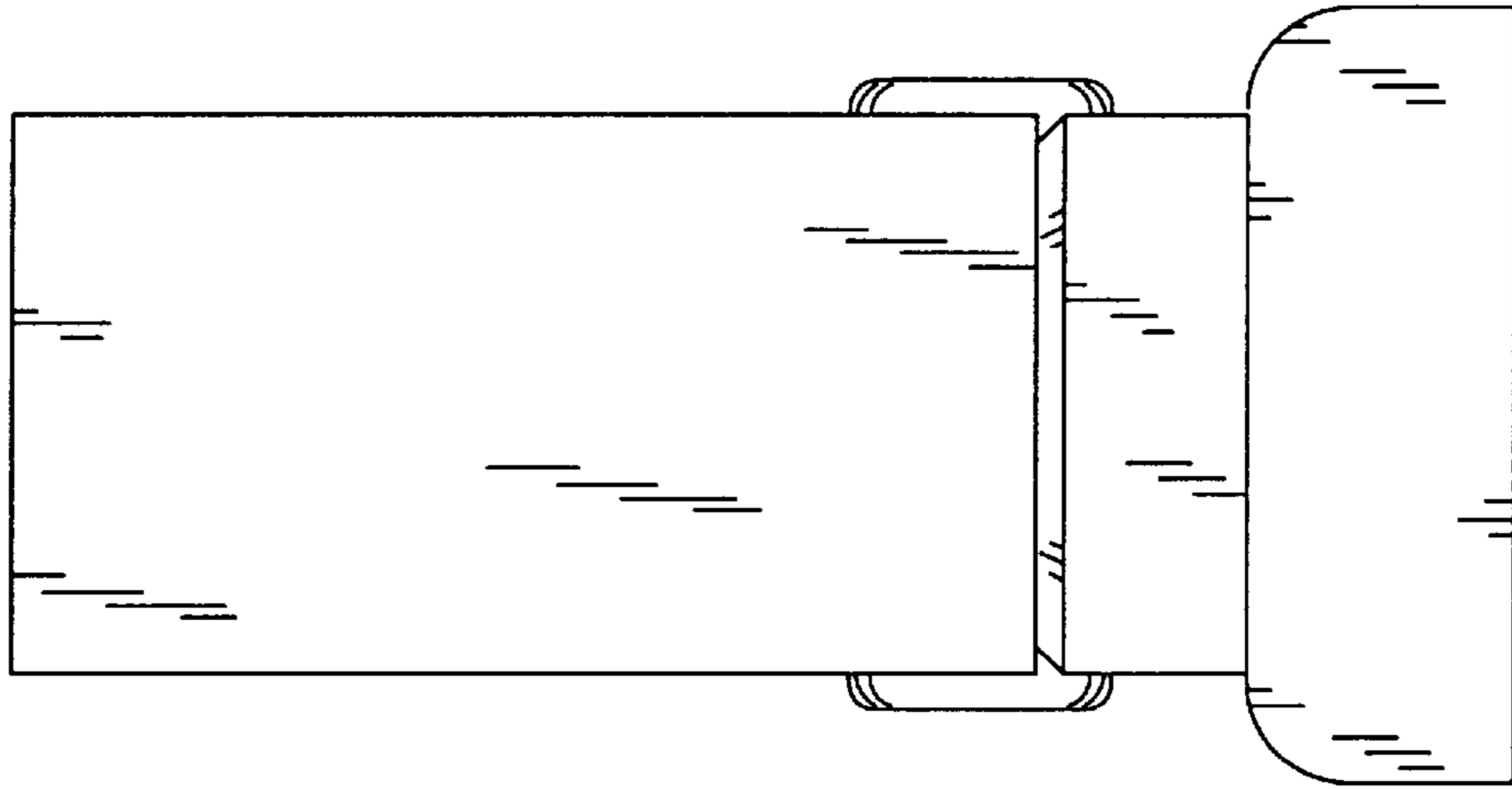


FIG. 3

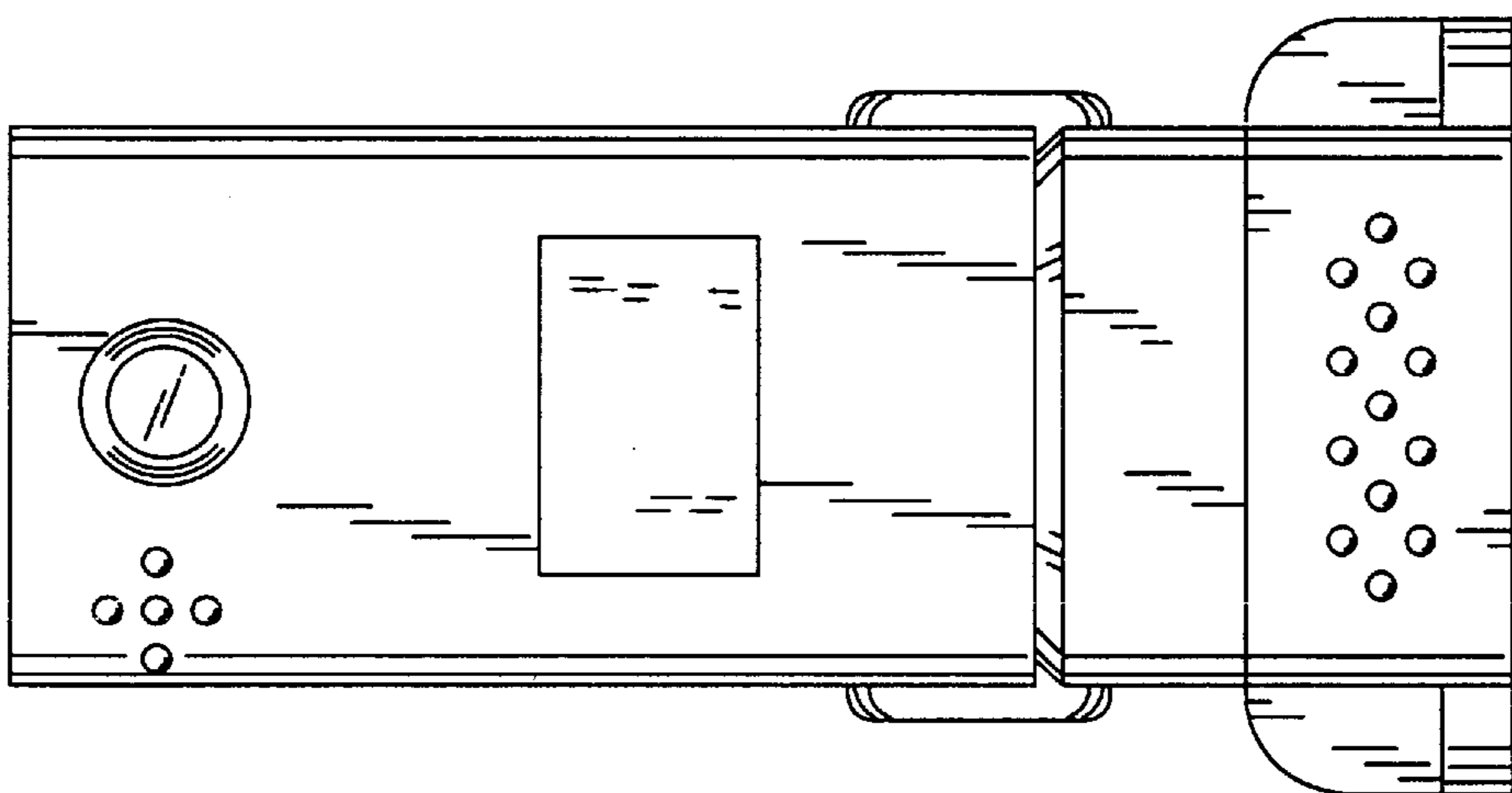


FIG. 2

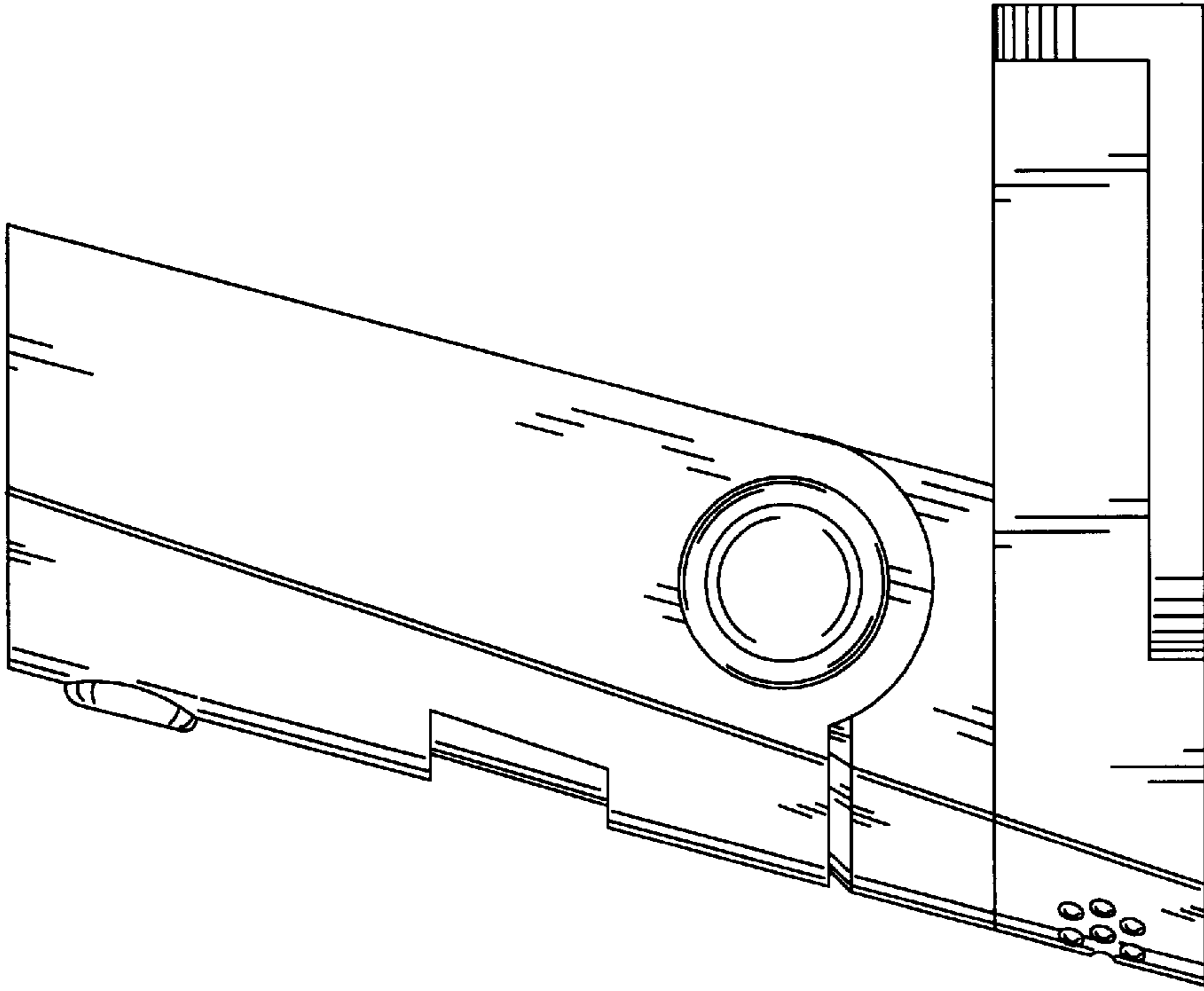


FIG. 4

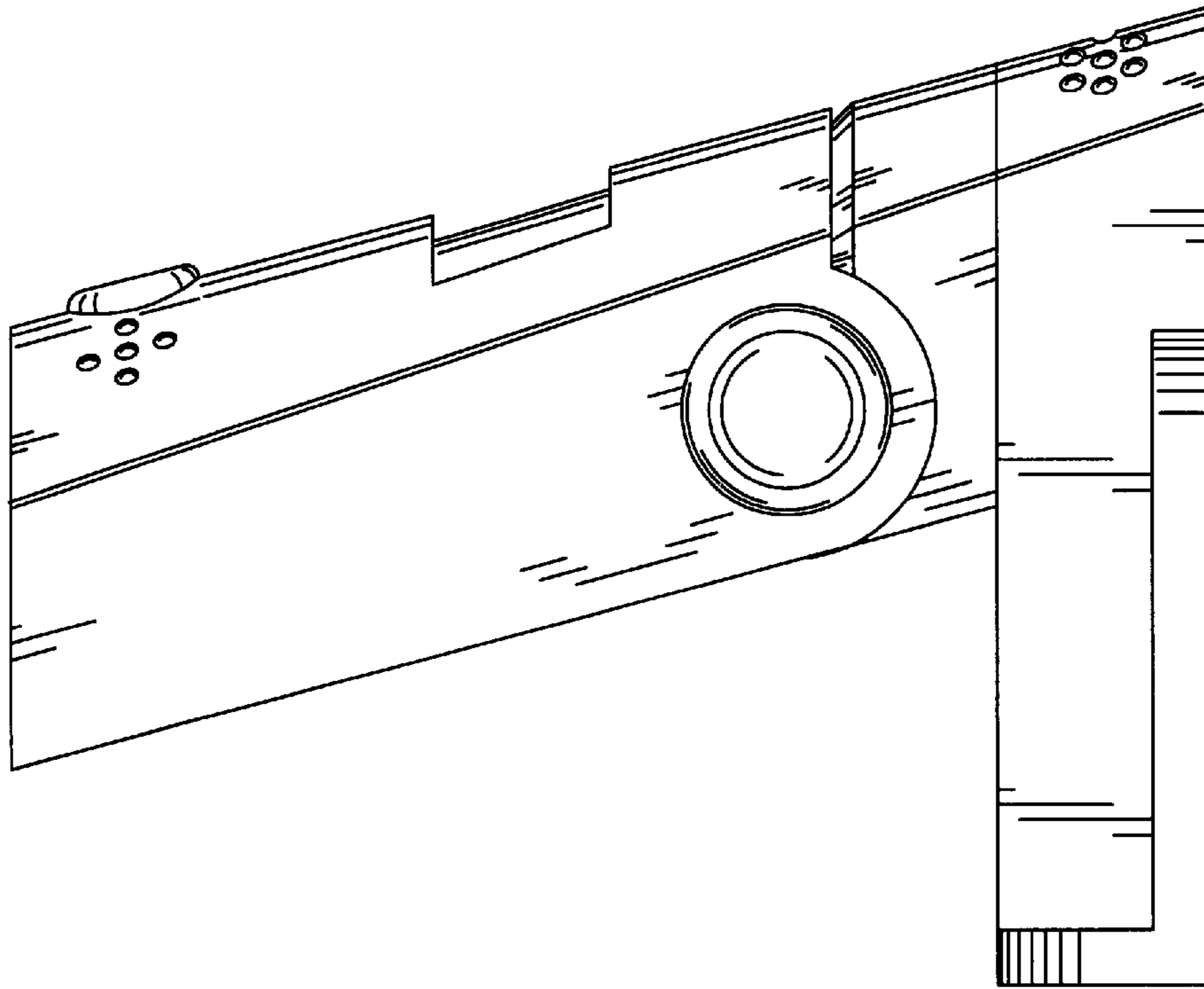


FIG. 5

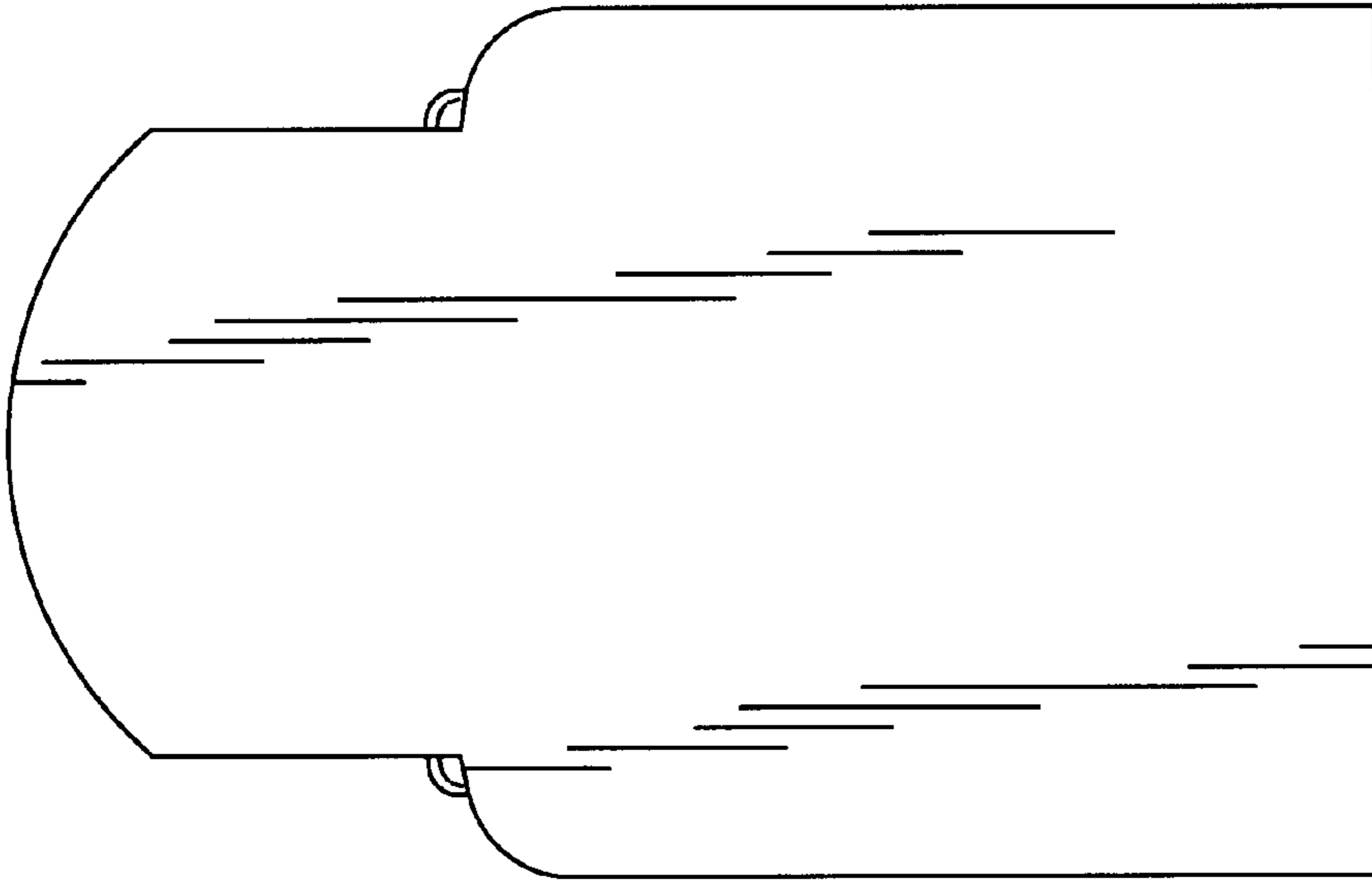


FIG. 7

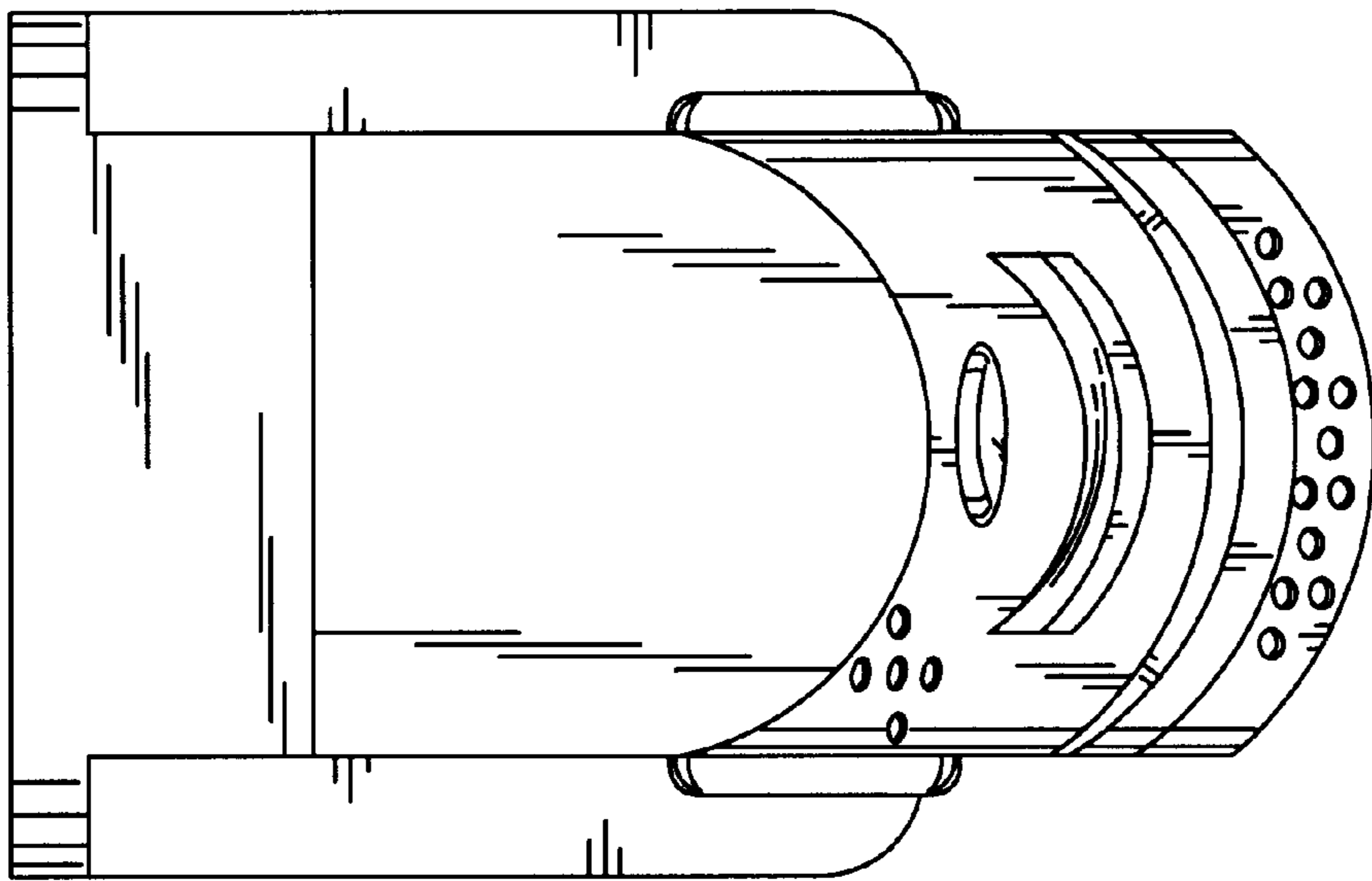


FIG. 6