



US00D425085S

United States Patent [19]

Bernadic et al.

[11] **Patent Number: Des. 425,085**

[45] **Date of Patent: ** May 16, 2000**

[54] **POLYGONAL INDEXABLE CUTTING INSERT**

[75] Inventors: **Thomas J. Bernadic**, Madison Heights; **Karl Katbi**, Troy; **Tony Lowe**, Royal Oak; **Brendan Brockett**, Dearborn Hts., all of Mich.

[73] Assignee: **Valenite Inc.**, Madison Hts., Mich.

[**] Term: **14 Years**

[21] Appl. No.: **29/108,698**

[22] Filed: **Jun. 10, 1999**

Related U.S. Application Data

[62] Division of application No. 29/090,218, Jul. 2, 1998, Pat. No. Des. 411,551.

[51] **LOC (7) Cl.** **15-09**

[52] **U.S. Cl.** **D15/139**

[58] **Field of Search** D15/139; 407/114-117

References Cited

U.S. PATENT DOCUMENTS

D. 359,057 6/1995 Niebauer D15/139

D. 409,632 5/1999 Hartlohner et al. D15/139
D. 414,194 9/1999 Patterson et al. D15/139
5,147,159 9/1992 Lowe et al. D15/139 X

Primary Examiner—Antoine Duval Davis
Attorney, Agent, or Firm—Mary K. Cameron

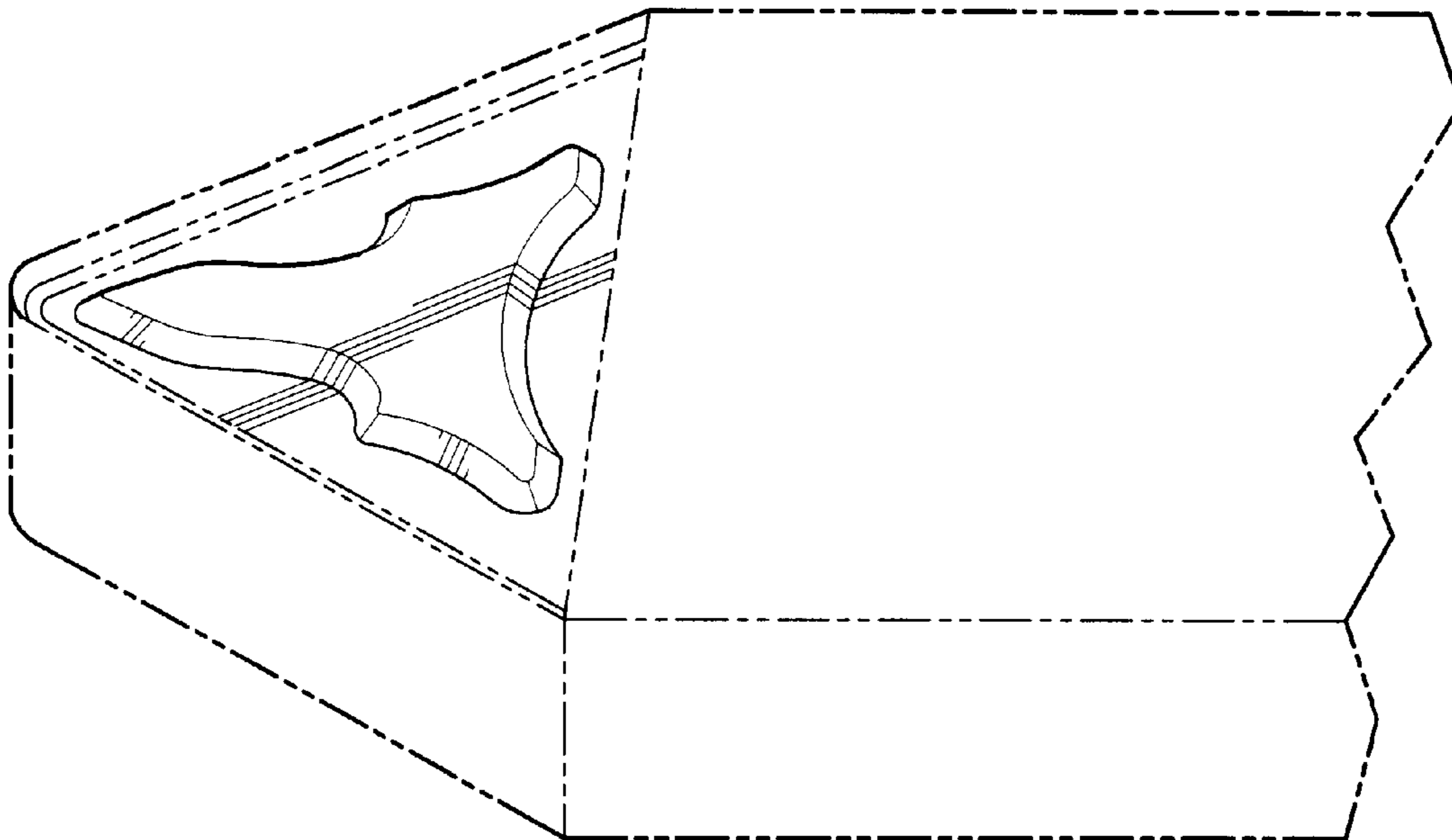
[57] CLAIM

The ornamental design for a polygonal indexable cutting insert, as shown.

DESCRIPTION

FIG. 1 is a perspective view of an indexable cutting insert showing a first form of our new design;
FIG. 2 is a top plan view of the insert of FIG. 1;
FIG. 3 is a side view of the insert of FIG. 1;
FIG. 4 is a sectional view of the insert of FIG. 2 taken along line 4—4;
FIG. 5 is a sectional view of the insert of FIG. 2 taken along line 5—5; and,
FIG. 6 is a view of an indexable cutting insert showing a second form of our new design.
The broken line showing is for illustrative purposes only and forms no part of the claimed design.

1 Claim, 2 Drawing Sheets



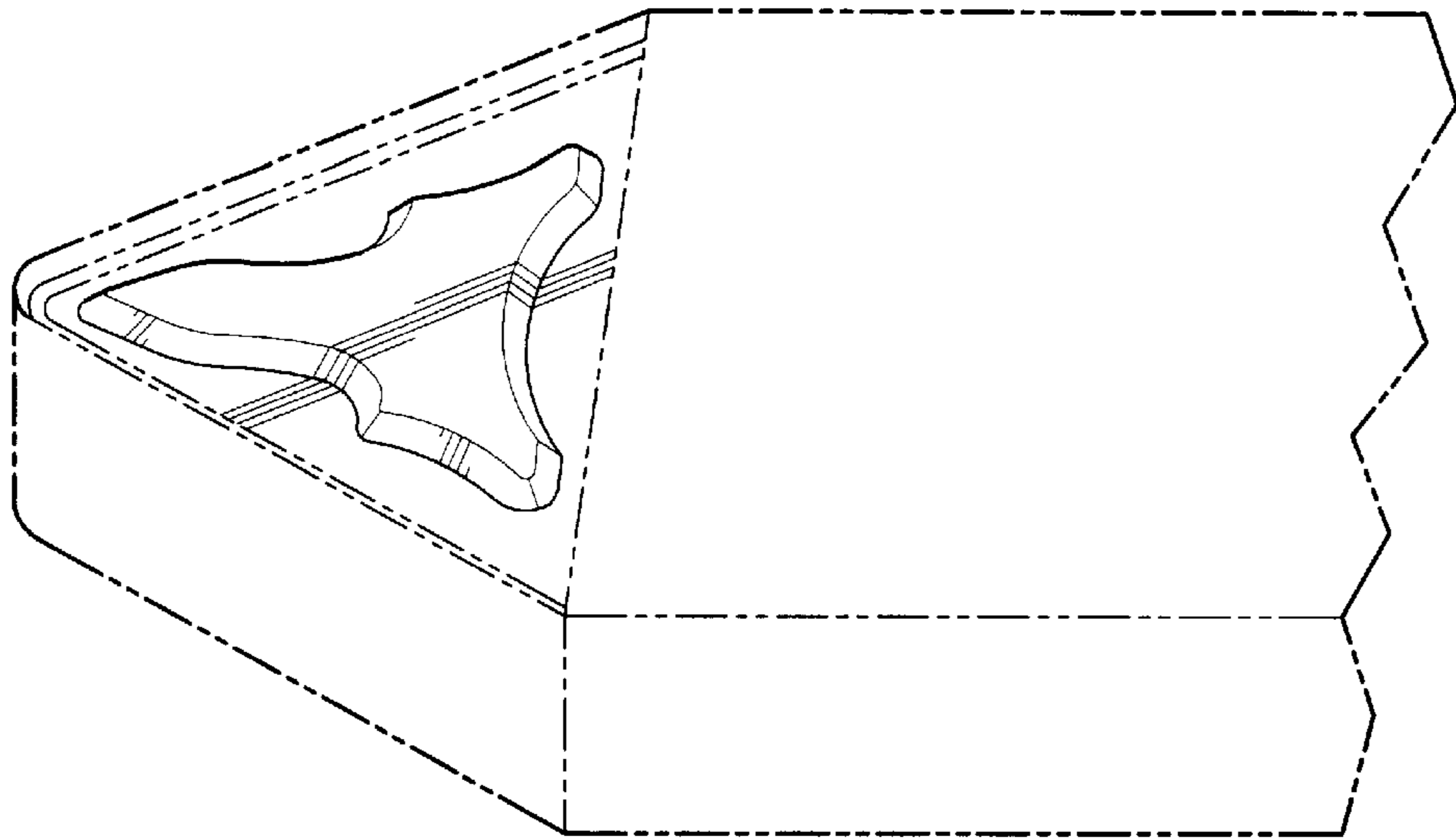


Fig-1

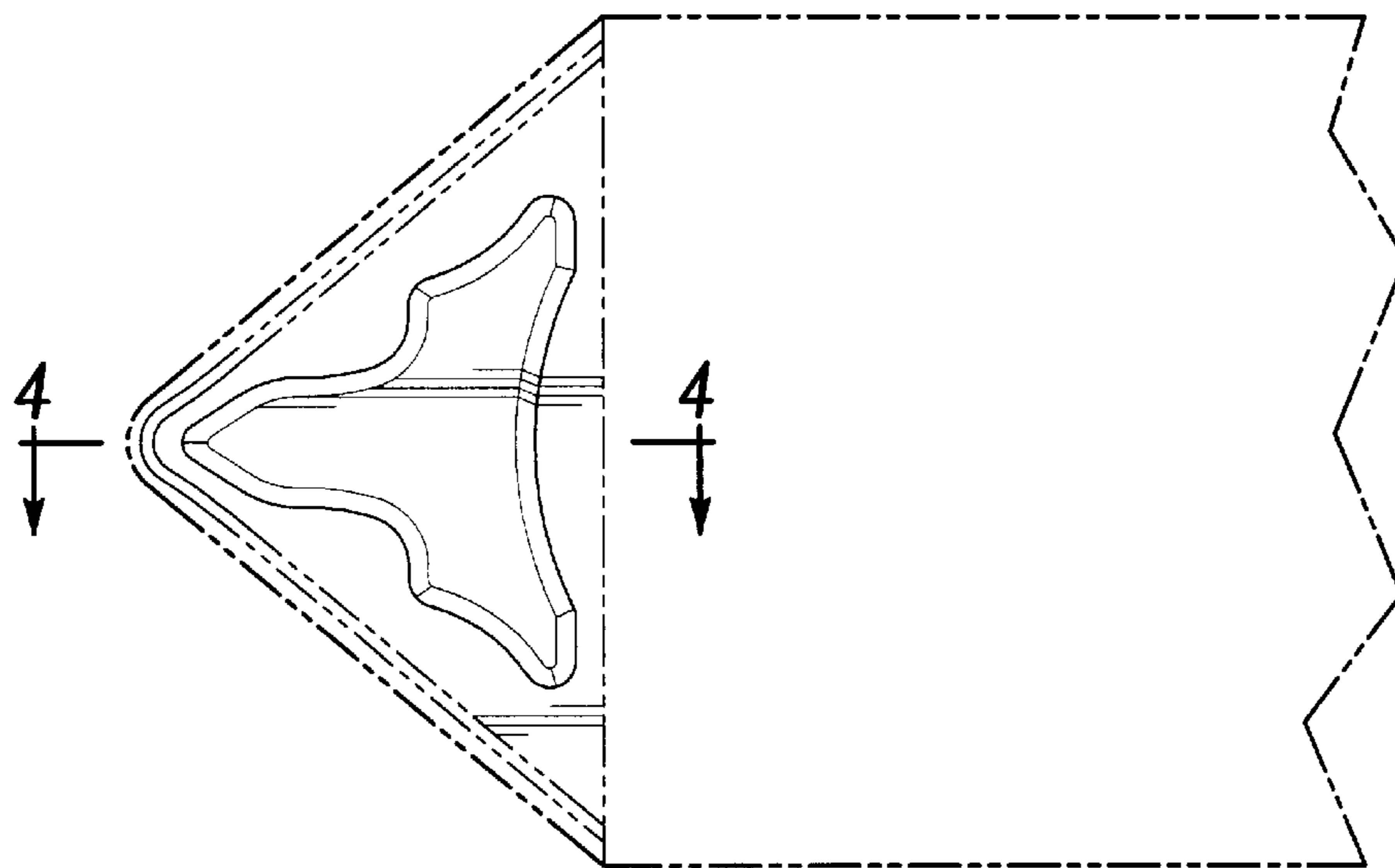


Fig-2

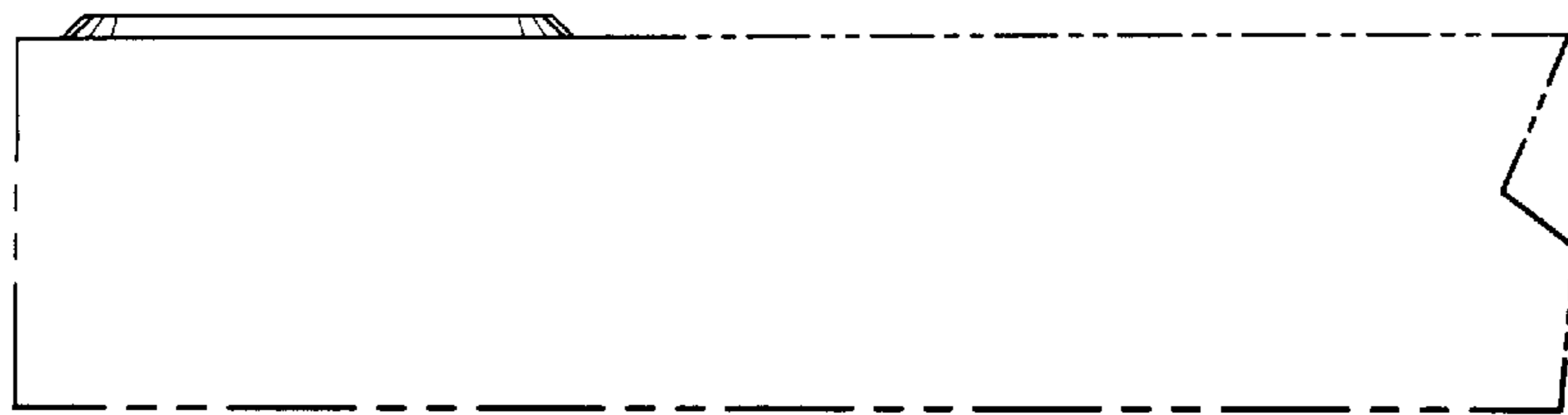


Fig-3

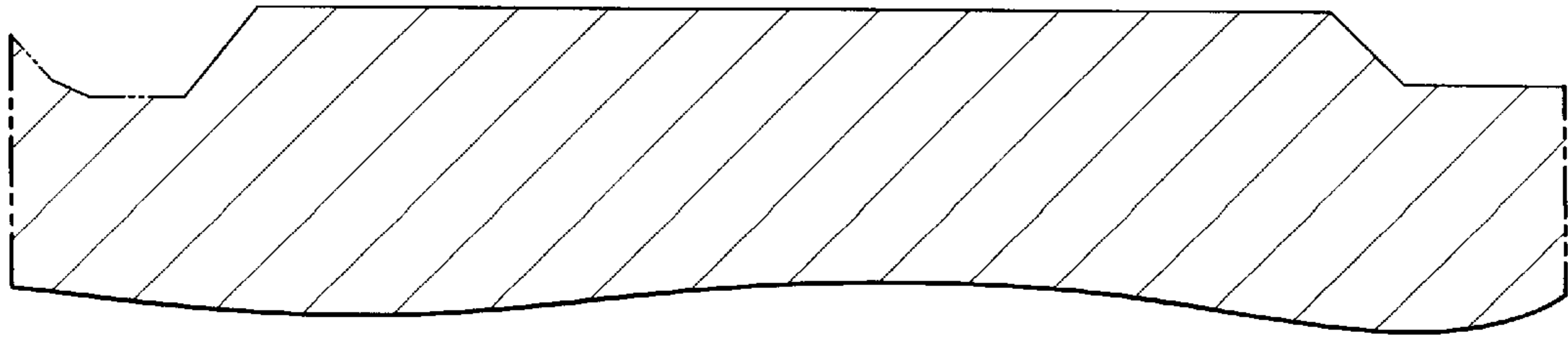


Fig-4

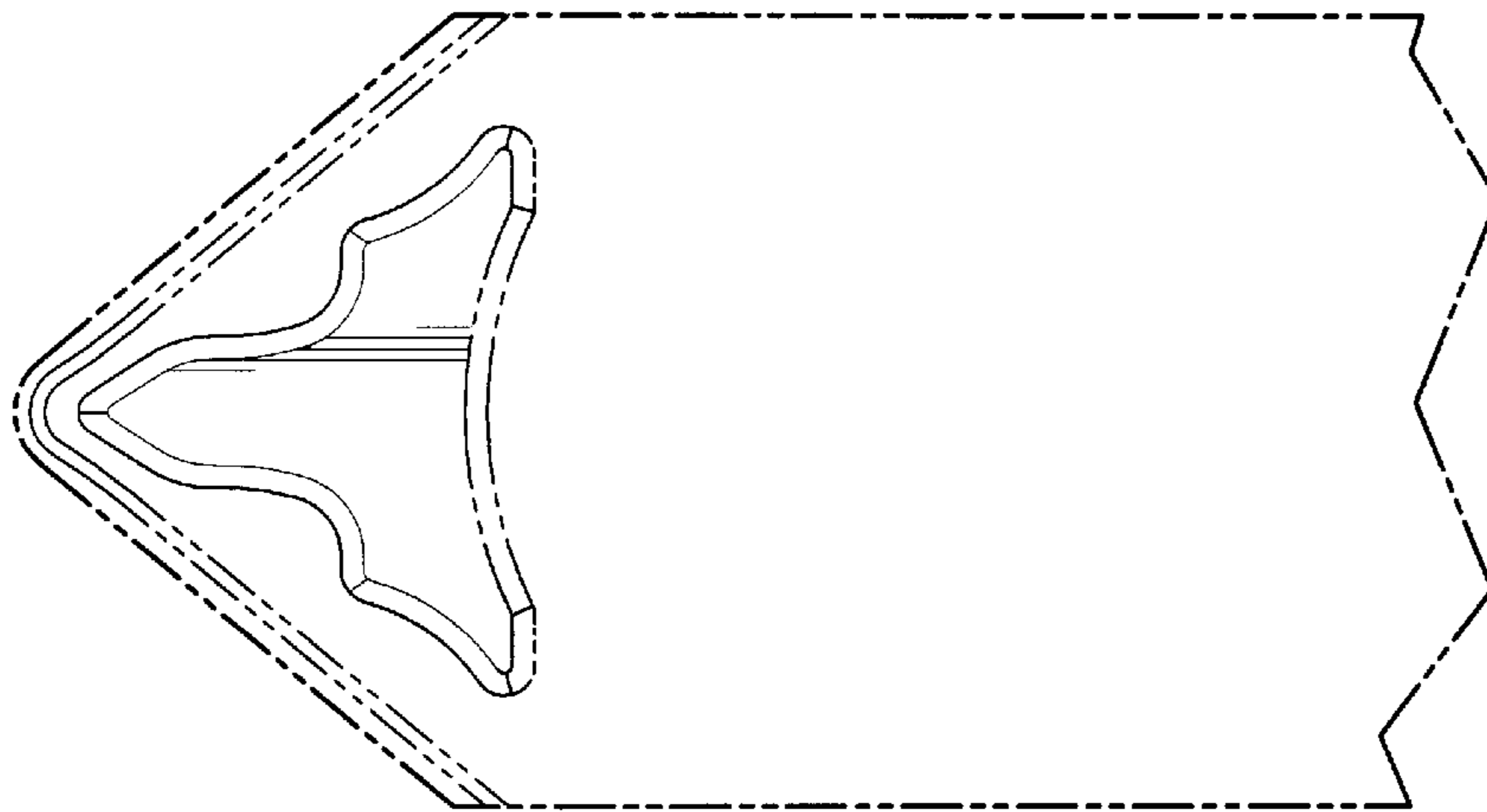


Fig-5

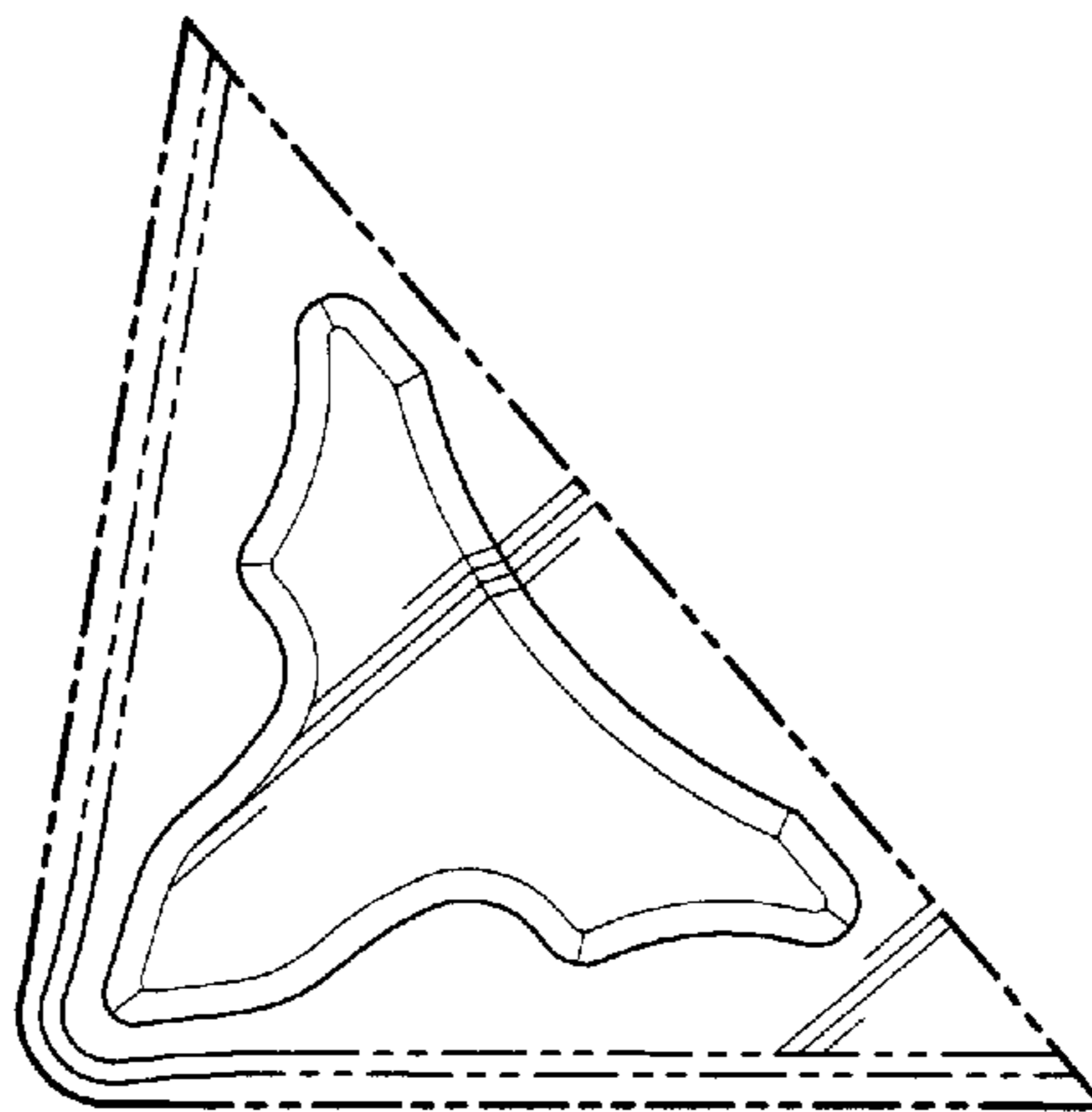


Fig-6