



US00D425084S

United States Patent [19] Schreck

[11] Patent Number: **Des. 425,084**

[45] Date of Patent: **** May 16, 2000**

[54] PIPE SCARFING TOOL

[76] Inventor: **Daniel P. Schreck**, 29033 Avenida De Las Flores, Quail Valley, Calif. 92578

[**] Term: **14 Years**

[21] Appl. No.: **29/105,603**

[22] Filed: **May 1, 1999**

[51] LOC (7) Cl. **15-09**

[52] U.S. Cl. **D15/138**

[58] Field of Search D15/138; 408/1 R, 408/48, 161, 169, 204, 104, 147, 91, 211, 227, 233, 713; 30/90.1; 82/1.2, 113; 269/227; 144/205

[56] **References Cited**

U.S. PATENT DOCUMENTS

3,595,107	7/1971	Dackow	82/4
3,636,803	1/1972	Miller	82/4
3,817,649	6/1974	Medney	408/211
3,834,254	9/1974	Smestad	82/4
4,114,484	9/1978	Feamster, III	82/4
4,601,222	7/1986	Gill	82/4
4,691,600	9/1987	Carlson et al.	82/4
5,921,727	7/1999	Depperman	408/1 R

FOREIGN PATENT DOCUMENTS

2-243204 8/1990 Japan .
889 of 1911 United Kingdom 82/113

OTHER PUBLICATIONS

Smith Fiberglas, Bulletin No. F6600, Aug. 1, 1999, entire 4 pages of the product data bulletin.

Primary Examiner—Antoine Duval Davis
Attorney, Agent, or Firm—Calif Tervo

[57] **CLAIM**

The ornamental design for a pipe scarfing tool, as shown and described.

DESCRIPTION

FIG. 1 is a perspective view of a pipe scarfing tool showing my new design;
FIG. 2 is a left side elevational view thereof; the right side being a mirror image.
FIG. 3 is a rear elevational view thereof;
FIG. 4 is a top plan view thereof; the bottom plan view being a mirror image; and,
FIG. 5 is a front elevational view thereof.

1 Claim, 2 Drawing Sheets

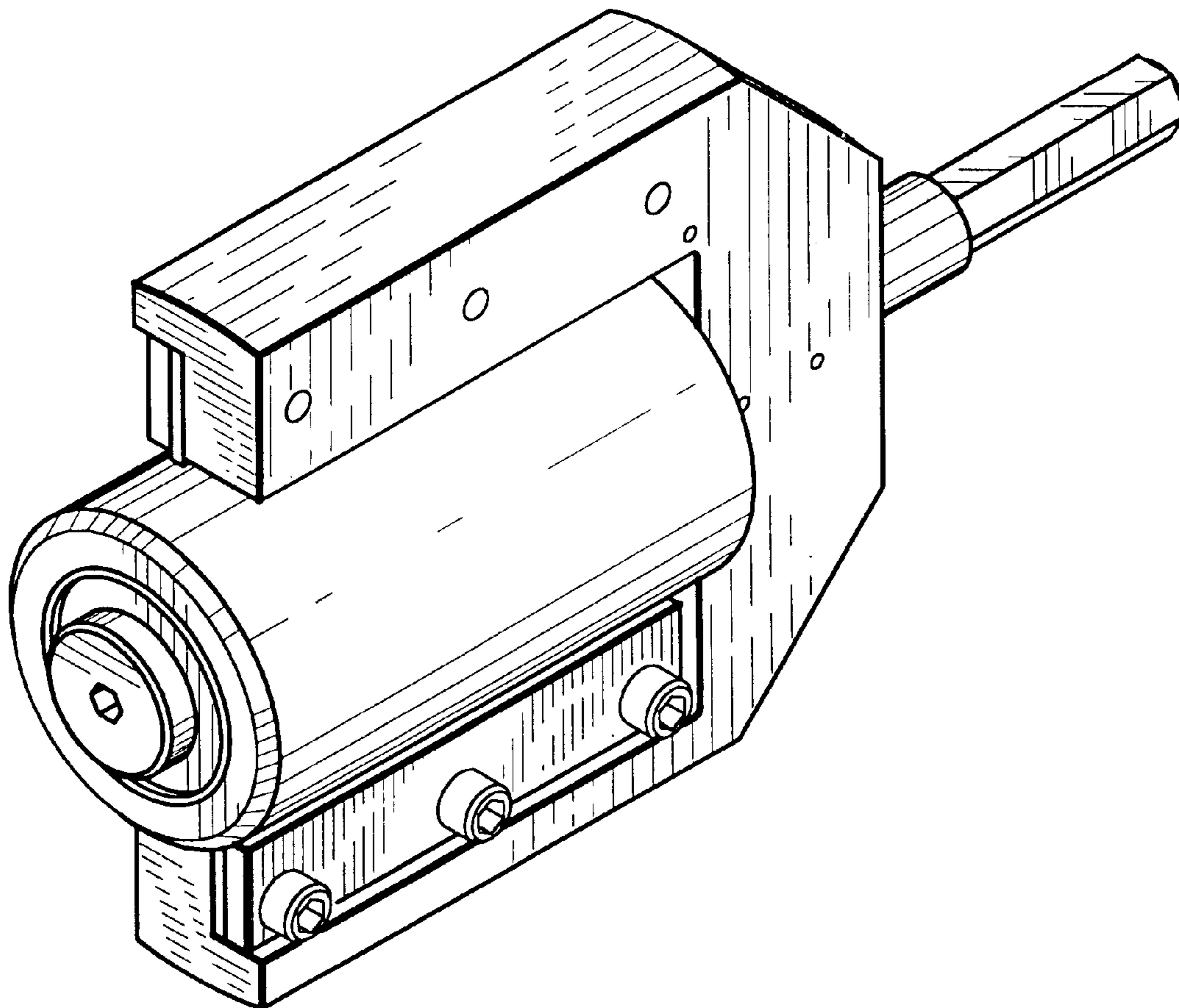


FIG. 1

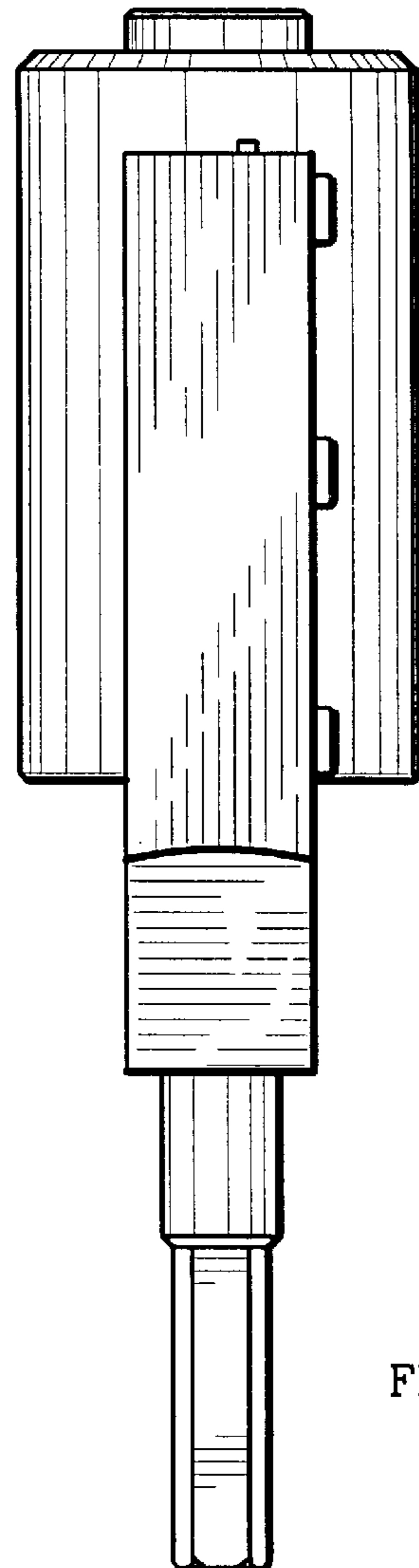
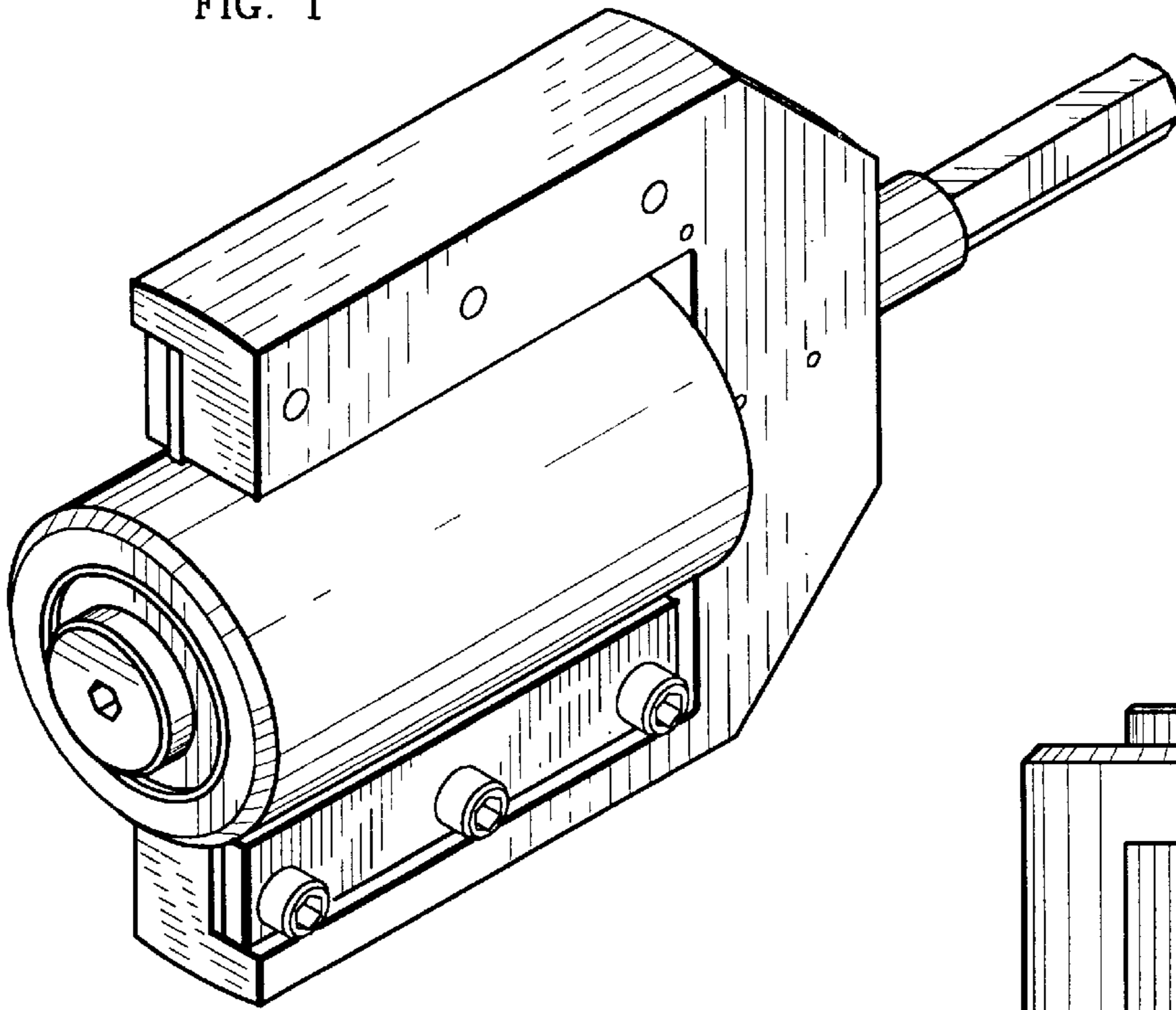


FIG. 2

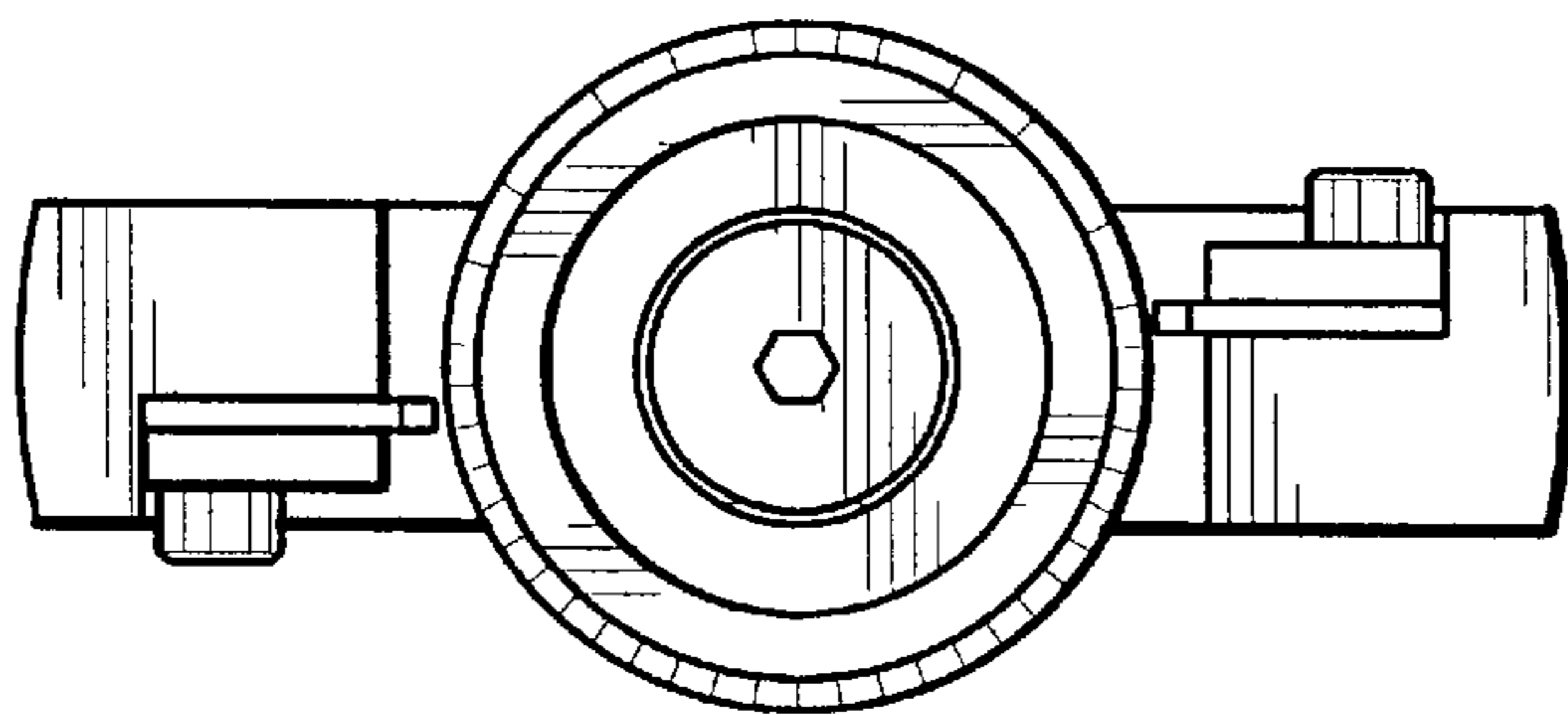


FIG. 3

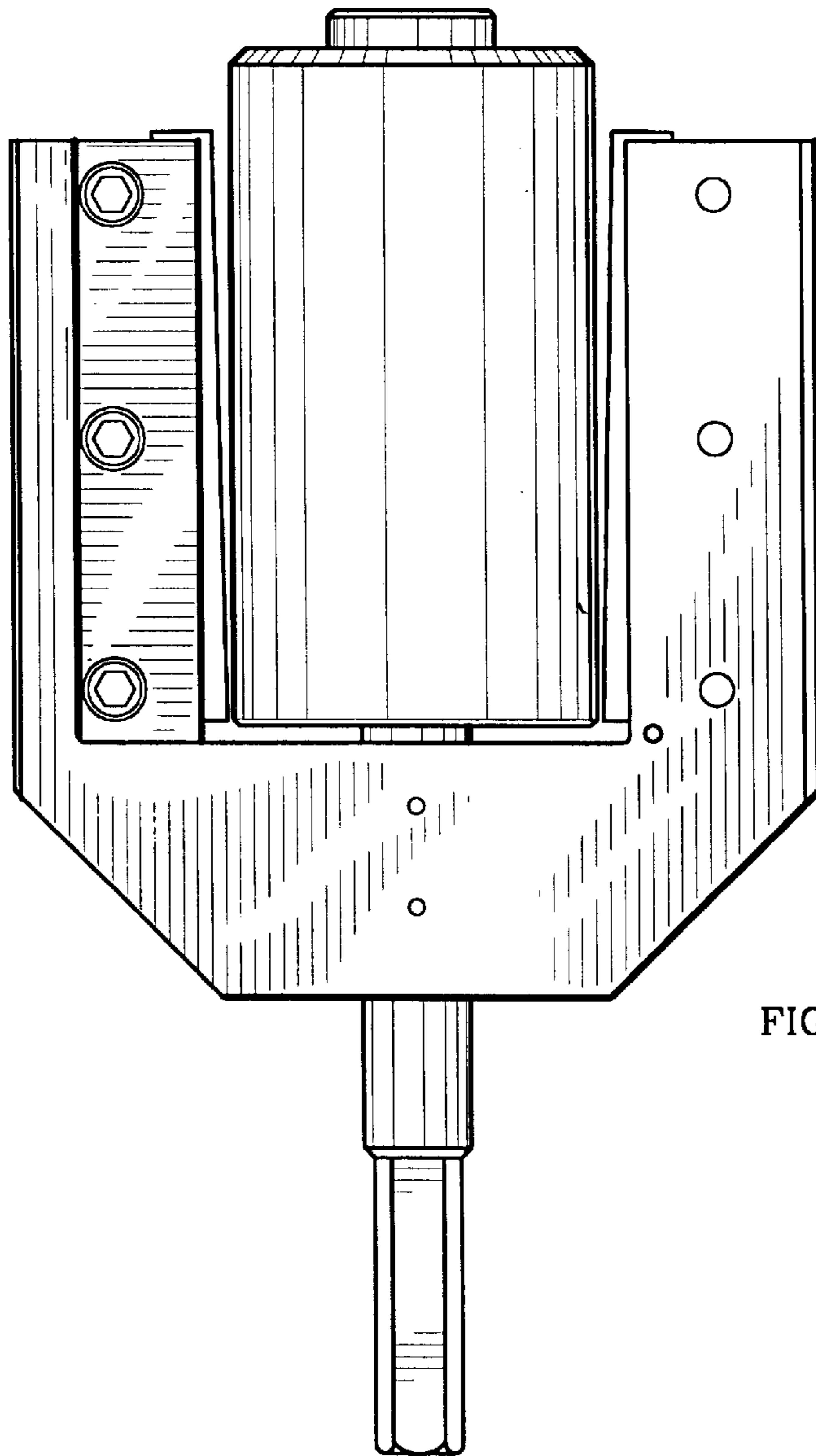


FIG. 4

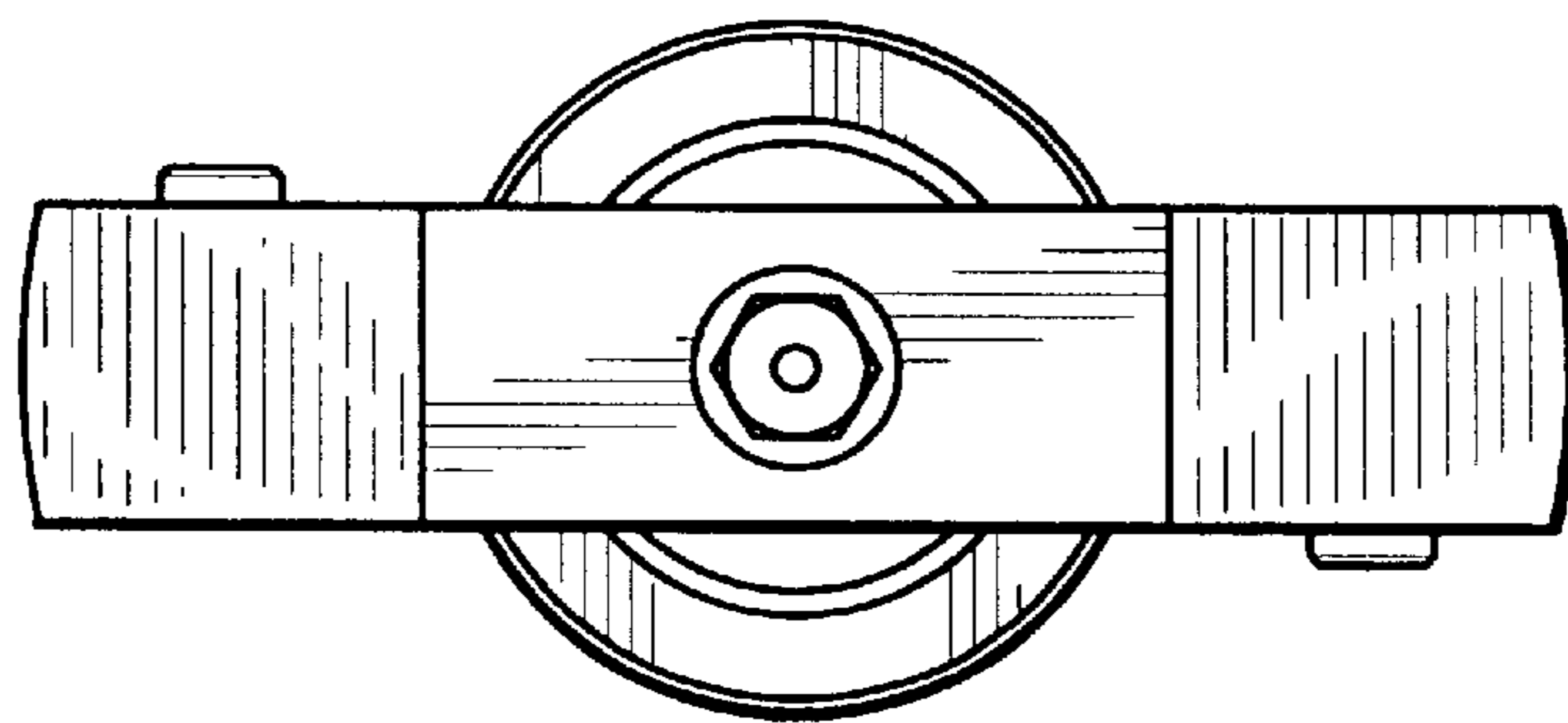


FIG. 5