



US00D425083S

United States Patent [19]

[11] **Patent Number: Des. 425,083**

Brickner, Jr. et al.

[45] **Date of Patent: ** May 16, 2000**

[54] **MITER SAW**

[75] Inventors: **Louis C. Brickner, Jr.**, Pittsburgh;
Ronald E. Young, Cheswick; **David N. Hollinger**, Glenshaw; **Charles J. Baird**, Pittsburgh, all of Pa.

[73] Assignee: **Delta International Machinery Corp.**, Pittsburgh, Pa.

[**] Term: **14 Years**

[21] Appl. No.: **29/108,353**

[22] Filed: **Jul. 26, 1999**

[51] **LOC (7) Cl.** **15-09**

[52] **U.S. Cl.** **D15/133**

[58] **Field of Search** D15/133; 83/397,
83/471.1, 471.2, 471.3, 477, 581

[56] **References Cited**

U.S. PATENT DOCUMENTS

D. 295,823	5/1988	Brickner et al. .	
D. 310,375	9/1990	Brickner et al. .	
D. 331,416	12/1992	Fushiya et al. .	
D. 345,743	4/1994	Garcia .	
D. 346,173	4/1994	Price .	
D. 348,272	6/1994	Brickner .	
D. 366,491	1/1996	Chang	D15/133
D. 376,806	12/1996	Holly et al. .	
D. 388,442	12/1997	Shibata et al.	D15/133
D. 391,973	3/1998	Price et al.	D15/133
5,020,406	6/1991	Sasaki et al. .	
5,063,802	11/1991	Shiotani et al. .	
5,146,826	9/1992	Shiotani et al. .	
5,425,294	6/1995	Ushiwata et al. .	
5,819,619	10/1998	Miller et al. .	

OTHER PUBLICATIONS

Parts Listing for Delta Model 36-210 10" Motorized Compound Miter Saw, dated Dec. 9, 1998.
Instruction Manual for Delta™ Model 36-210 10" Compound Miter Saw, dated Apr. 1, 1996.

“Sliding Compound Miter Saws”, *Woodworker’s Journal*, May/Jun. 1997, pp. 80-86.

Hitachi® Electric Power Tools Product Listing.
Hitechi® Power Tools Product Listing.

Primary Examiner—Antoine Duval Davis
Attorney, Agent, or Firm—Kirkpatrick & Lockhart LLP

[57] **CLAIM**

The ornamental design for a miter saw, as shown and described.

DESCRIPTION

FIG. 1 is a perspective view, taken from the front and to the right, of the miter saw of the present invention;

FIG. 2 is a perspective view, taken from the front and to the left, of the invention shown in FIG. 1;

FIG. 3 is a front elevational view of the invention shown in FIG. 1;

FIG. 4 is a rear elevational view of the invention shown in FIG. 1;

FIG. 5 is a left side elevational view of the invention shown in FIG. 1;

FIG. 6 is a right side elevational view of the invention shown in FIG. 1;

FIG. 7 is a top view of the invention shown in FIG. 1;

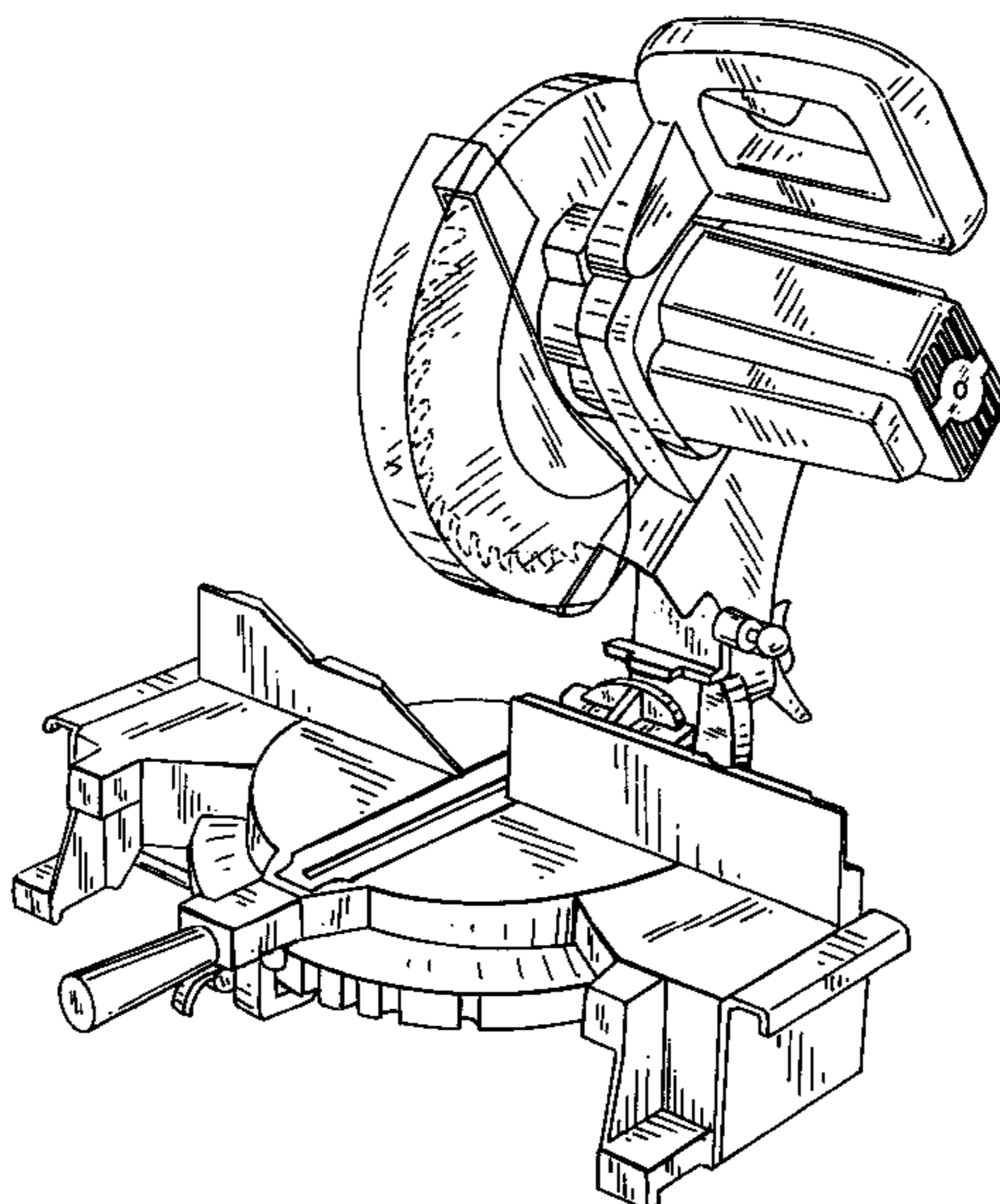
FIG. 8 is a bottom view of the invention shown in FIG. 1;

FIG. 9 is a perspective view of the invention shown in FIG. 1, and wherein the saw unit is disposed at a right miter angle; and,

FIG. 10 is a perspective view of the invention shown in FIG. 1, and wherein the saw unit is disposed at a right miter angle and the extendible side work supports are partially extended.

The broken line showing is for illustrative purposes only and forms no part of the claimed design.

1 Claim, 10 Drawing Sheets



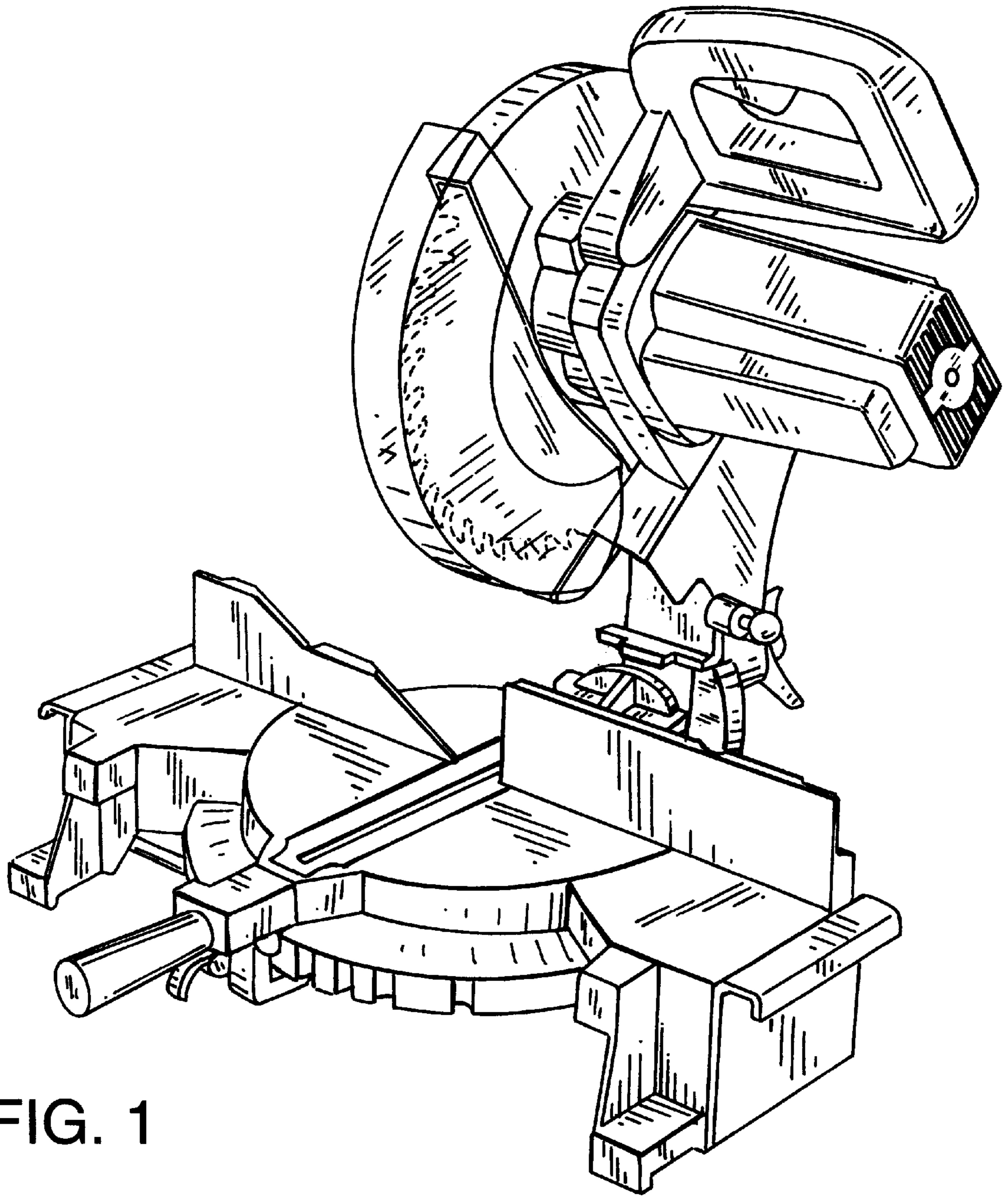


FIG. 1

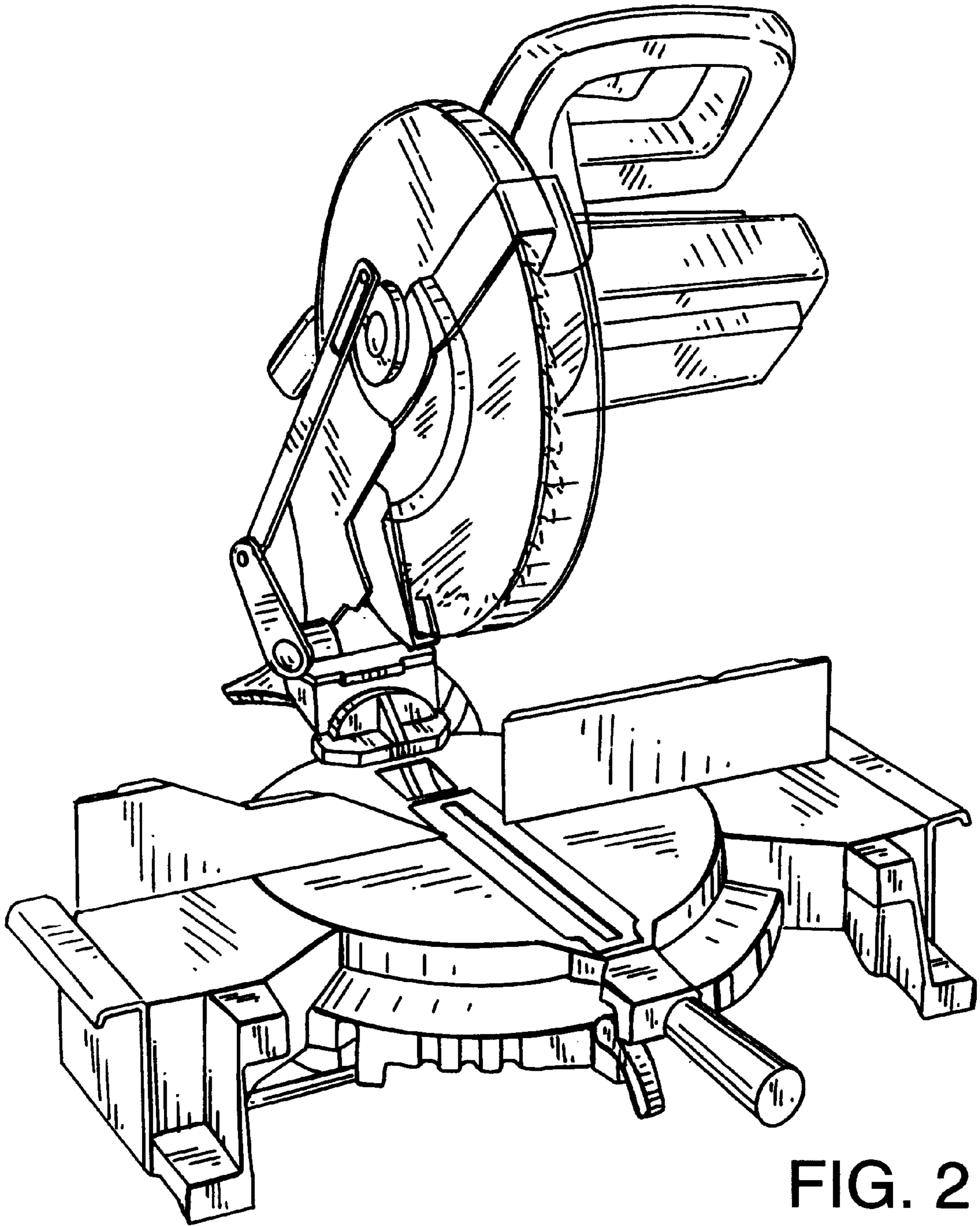


FIG. 2

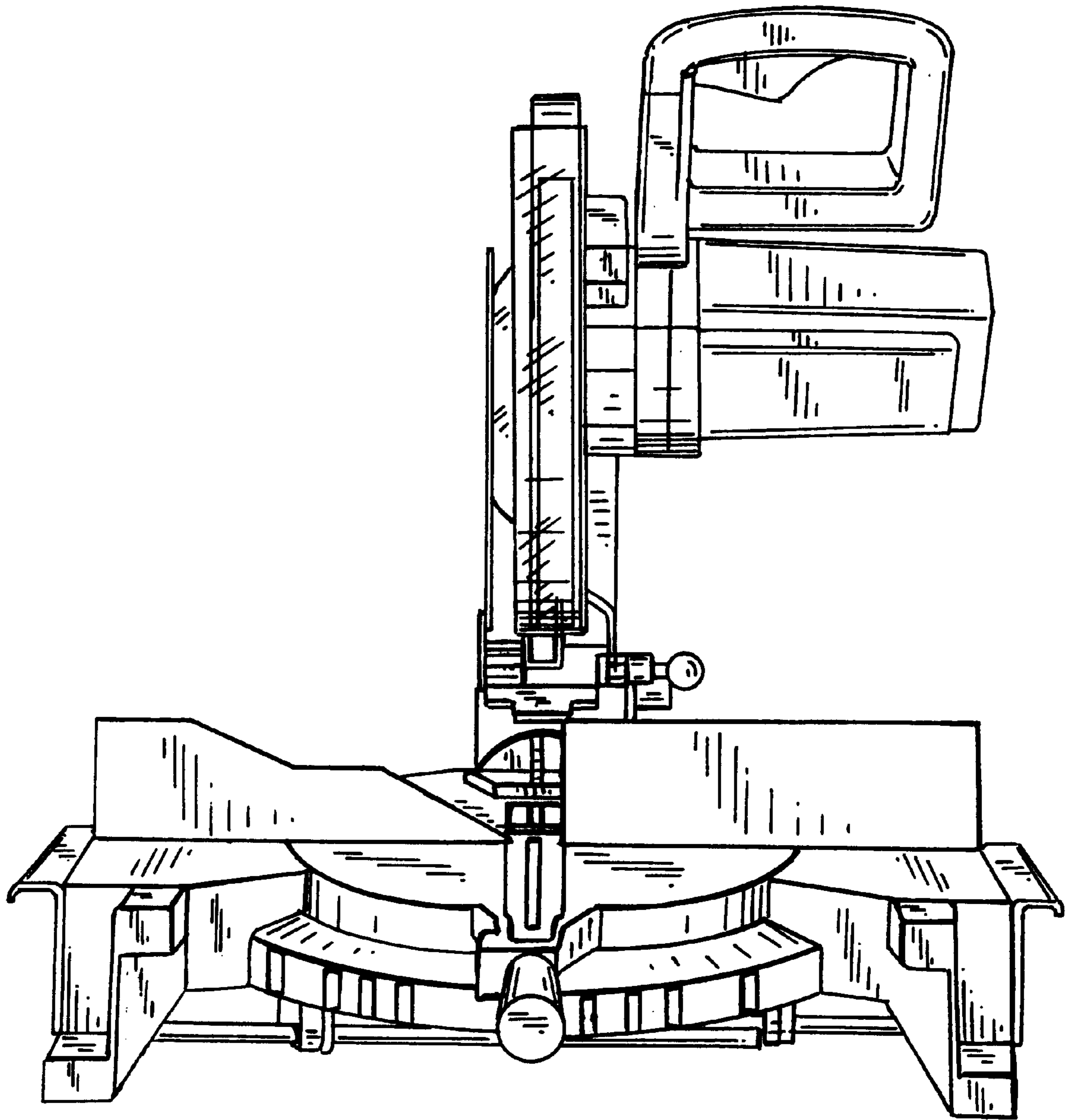


FIG. 3

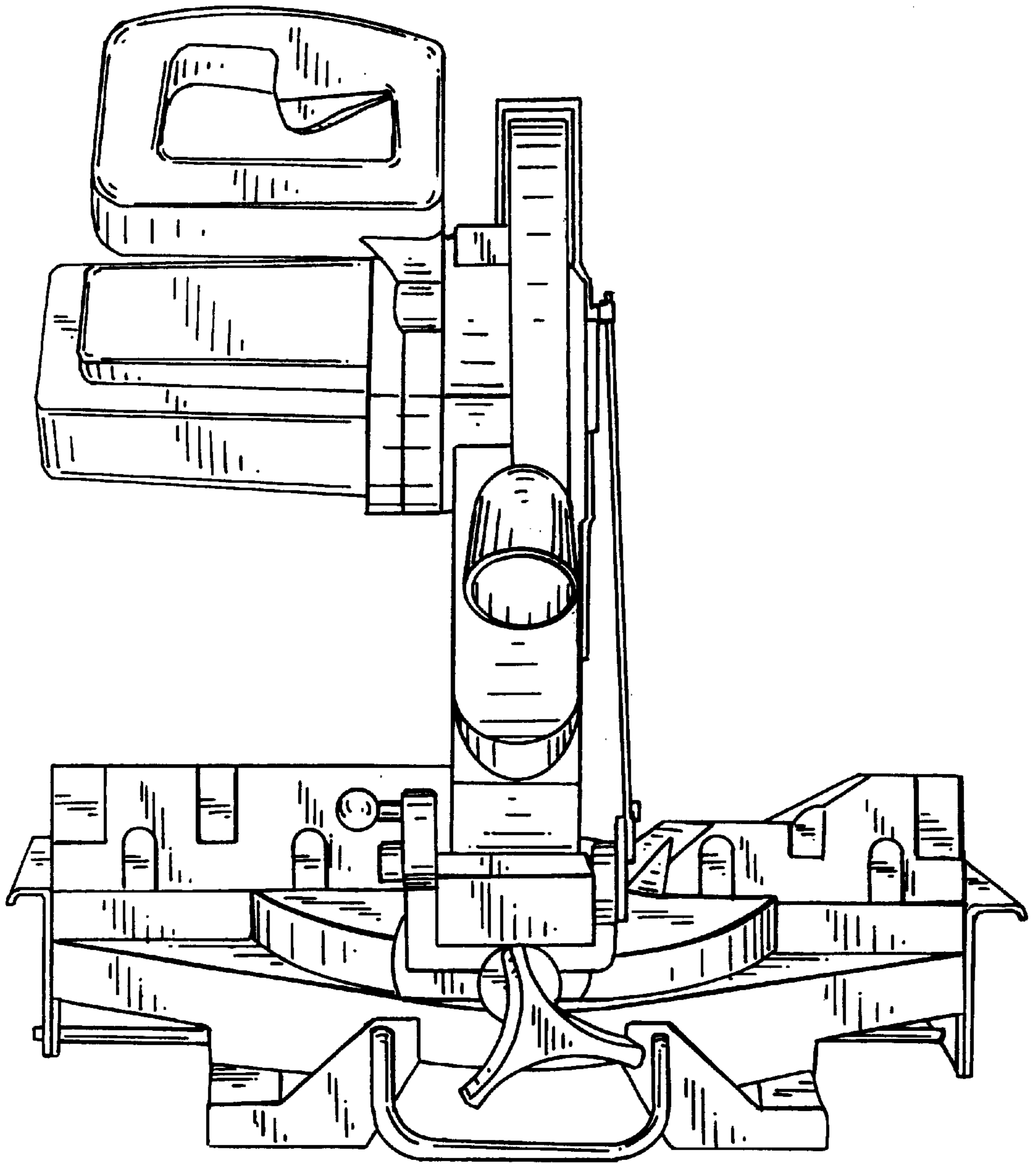


FIG. 4

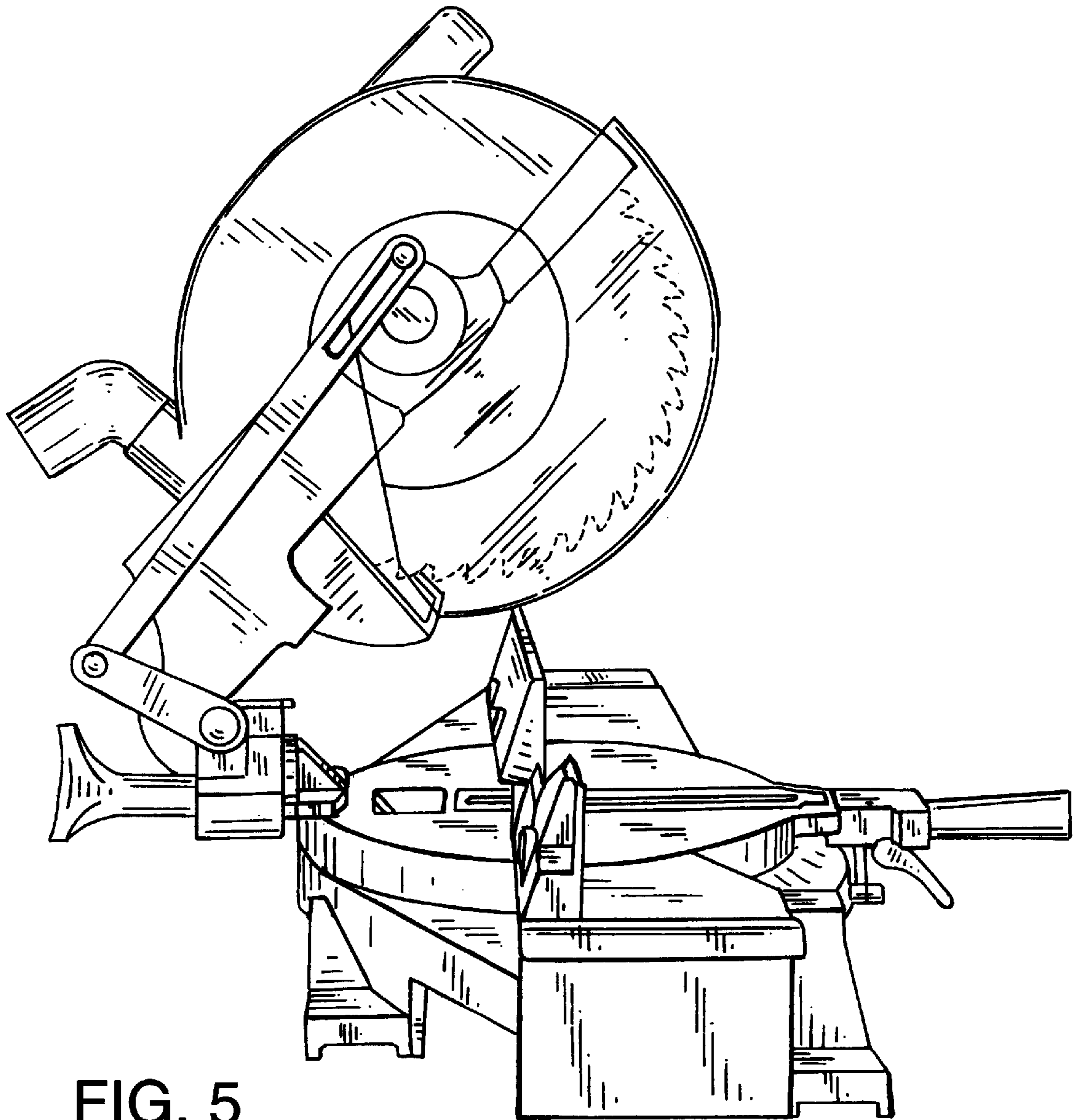


FIG. 5

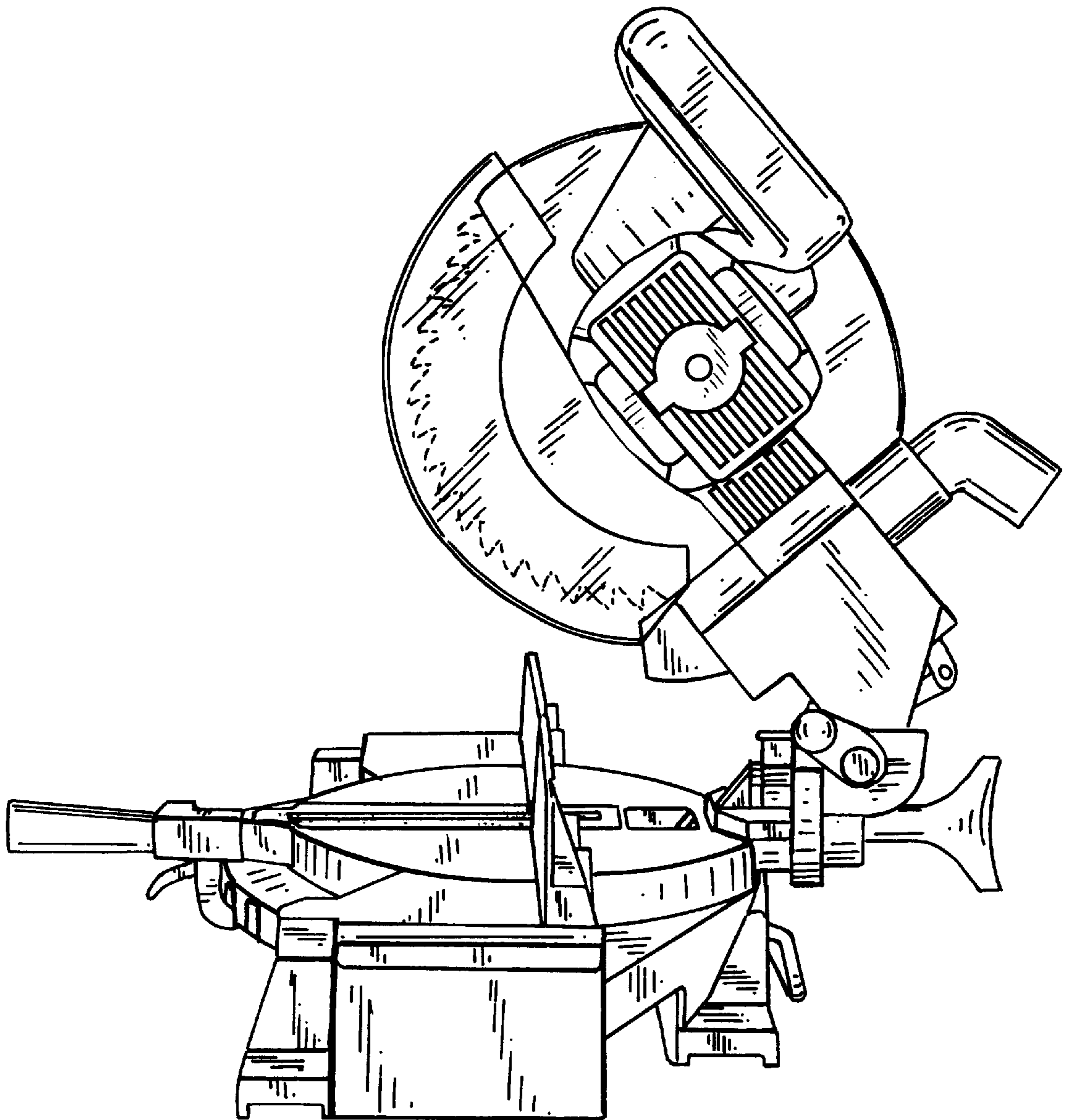


FIG. 6

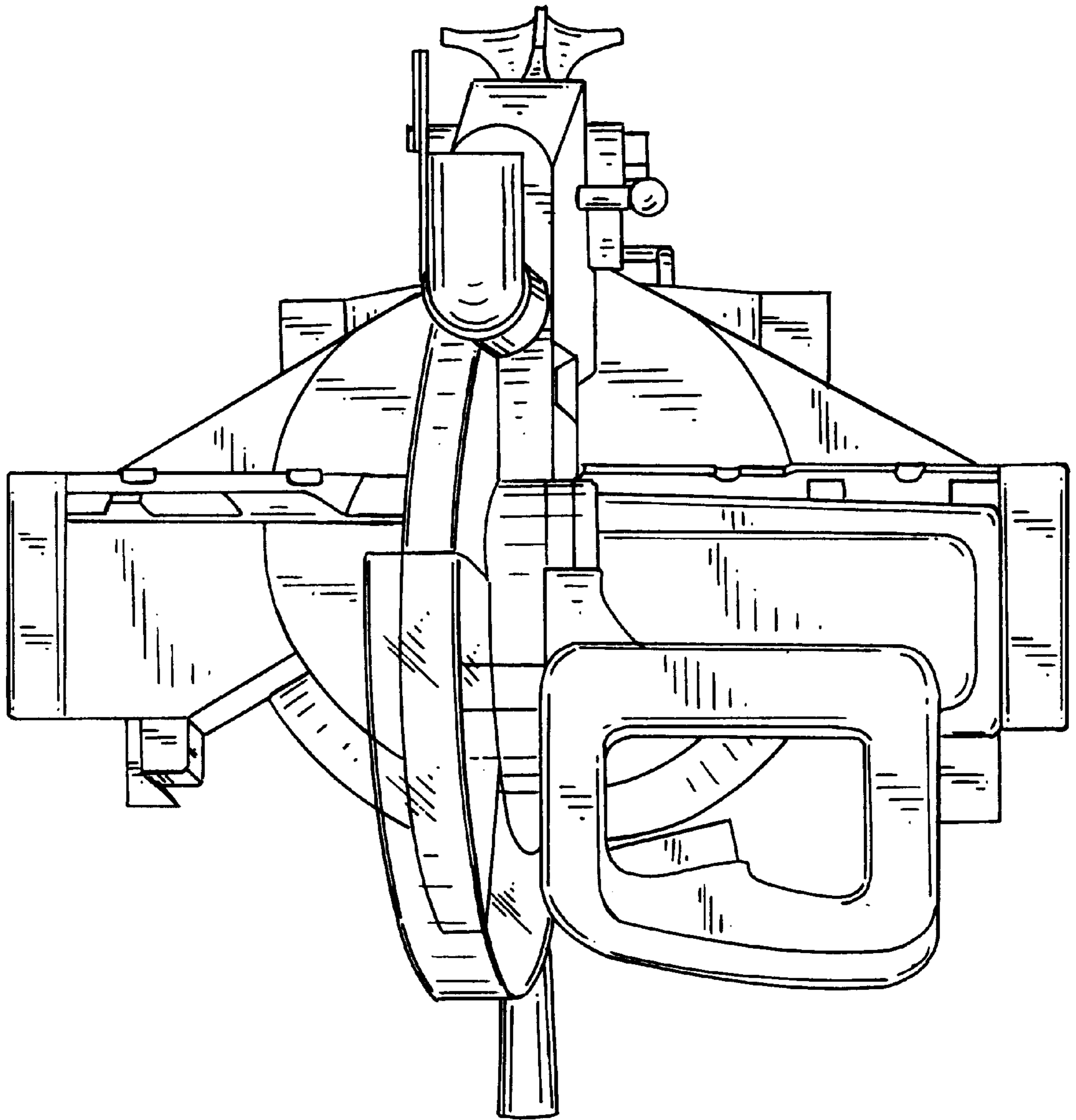


FIG. 7

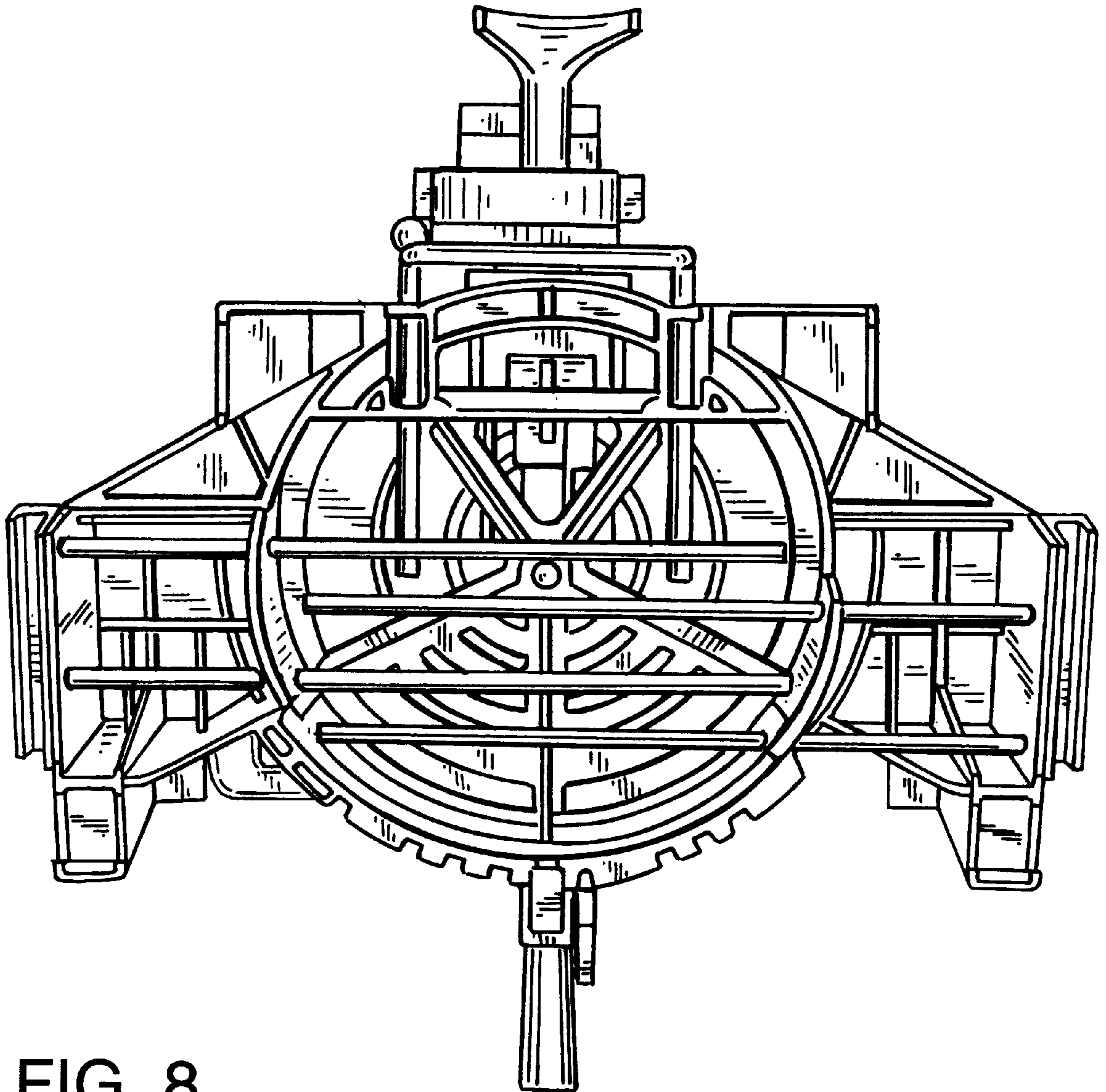


FIG. 8

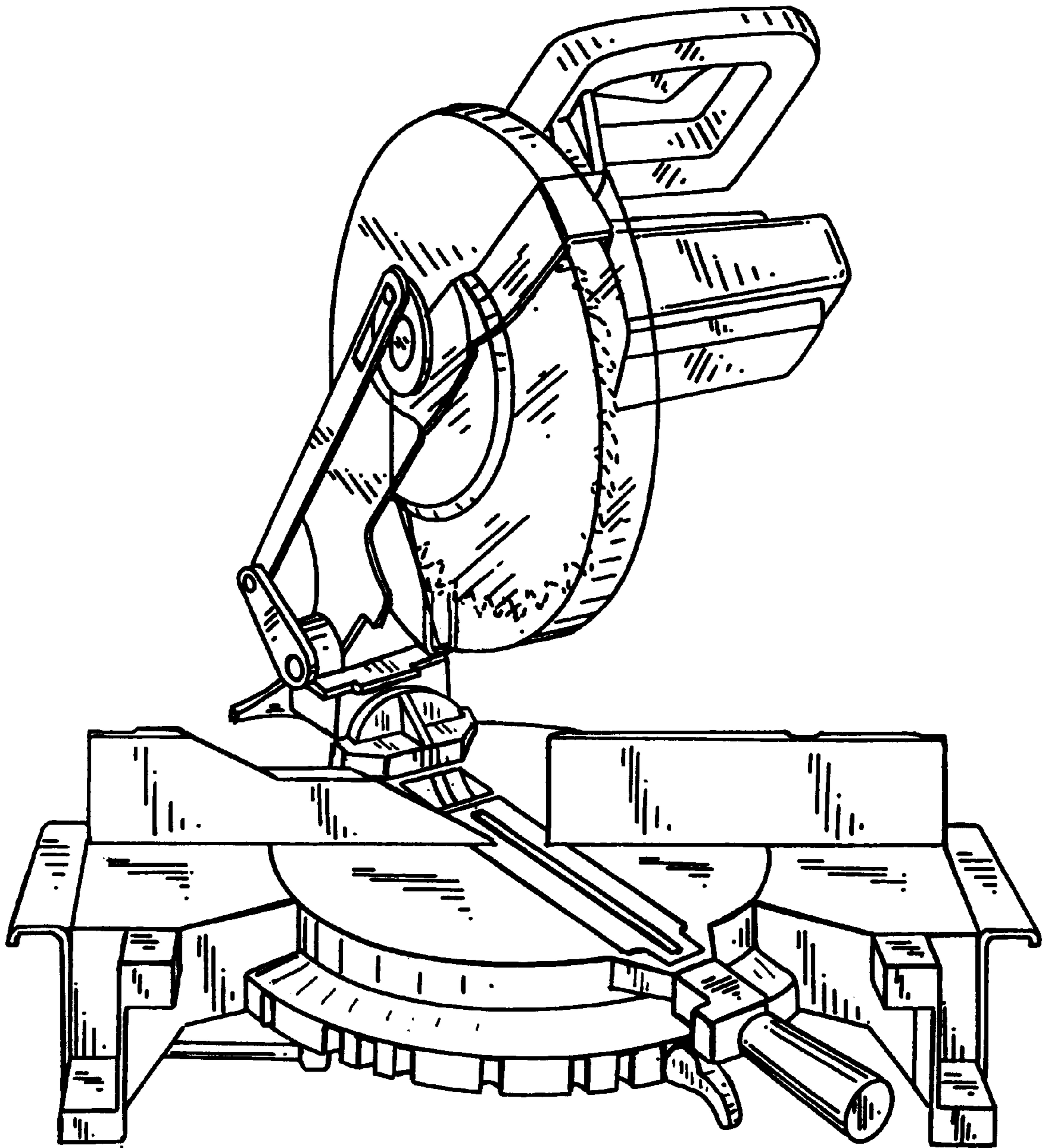


FIG. 9

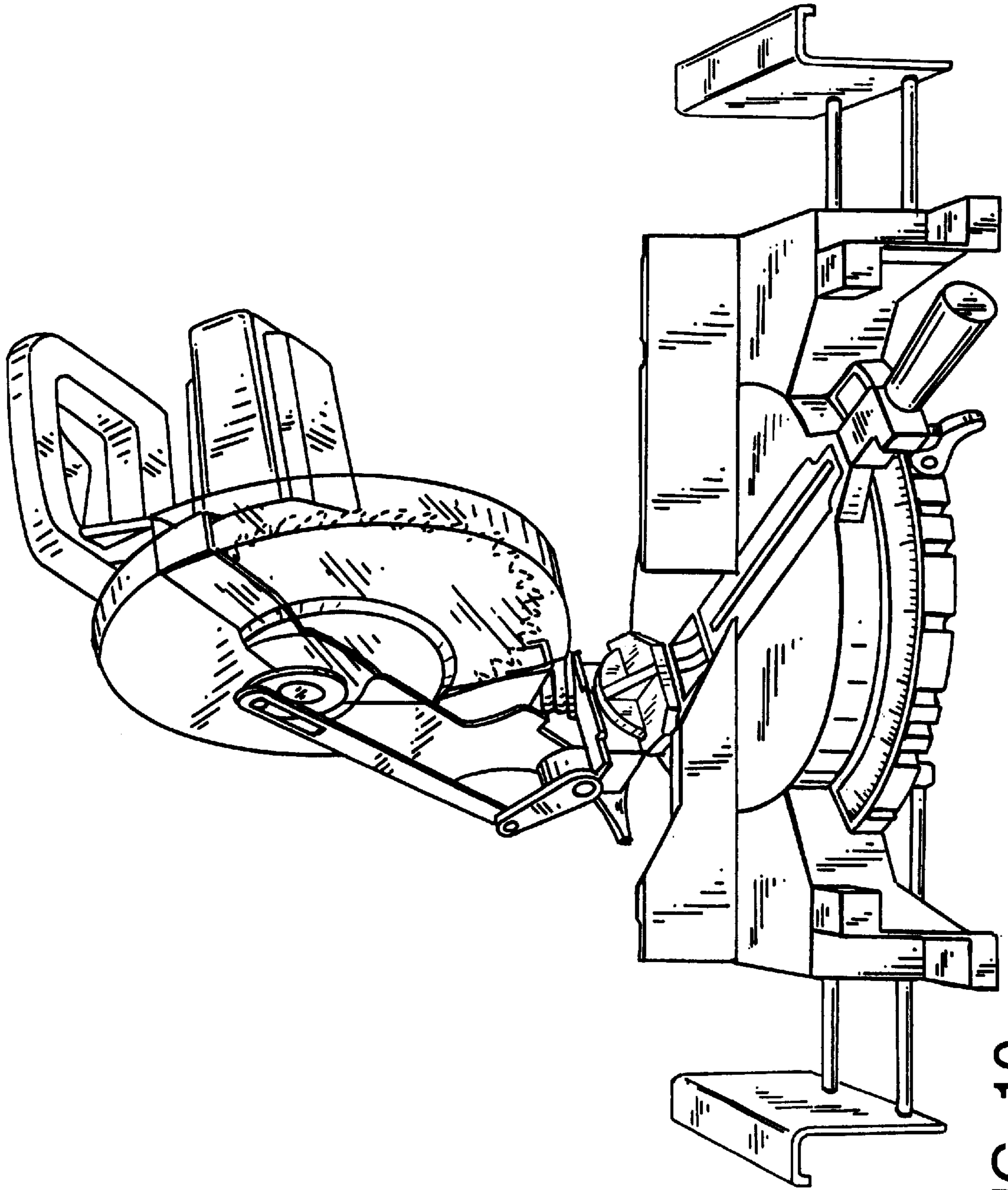


FIG. 10