



US00D425082S

**United States Patent** [19]  
**Cunningham**

[11] **Patent Number: Des. 425,082**

[45] **Date of Patent: \*\* May 16, 2000**

[54] **FOUR ROLLER CONCRETE FINISHING MACHINE**

[75] Inventor: **John Paul Cunningham**, Hurricane, W. Va.

[73] Assignee: **The Terramite Corporation**, Charleston, W. Va.

[\*\*] Term: **14 Years**

[21] Appl. No.: **29/102,571**

[22] Filed: **Mar. 26, 1999**

[51] **LOC (7) Cl.** ..... **15-09**

[52] **U.S. Cl.** ..... **D15/122**

[58] **Field of Search** ..... D15/122, 199;  
404/75, 87, 89; 299/36, 37

[56] **References Cited**

**U.S. PATENT DOCUMENTS**

4,688,964 8/1987 Cox ..... 404/75  
5,468,094 11/1995 Vanderpan et al. .... 404/75

*Primary Examiner*—Antoine Duval Davis  
*Attorney, Agent, or Firm*—Sughrue, Mion, Zinn, Macpeak & Seas, PLLC

[57] **CLAIM**

The ornamental design for a four roller concrete finishing machine, as shown and described.

**DESCRIPTION**

FIG. 1 is an end elevational view of a first end showing the framework of a four roller concrete finishing machine according to my new design;

FIG. 2 is a sectional view along the lines 2—2 in FIG. 4; FIG. 3 is a perspective view of the top, said first end, and one side thereof;

FIG. 4 is a perspective view of the top, a second end, and said one side thereof;

FIG. 5 is a perspective view of the top, said second end, and another side thereof.

FIG. 6 is an end elevational view of said first end thereof similar to FIG. 1 but without the elements shown in phantom lines;

FIG. 7 is sectional view similar to FIG. 2 but without the elements shown in phantom lines;

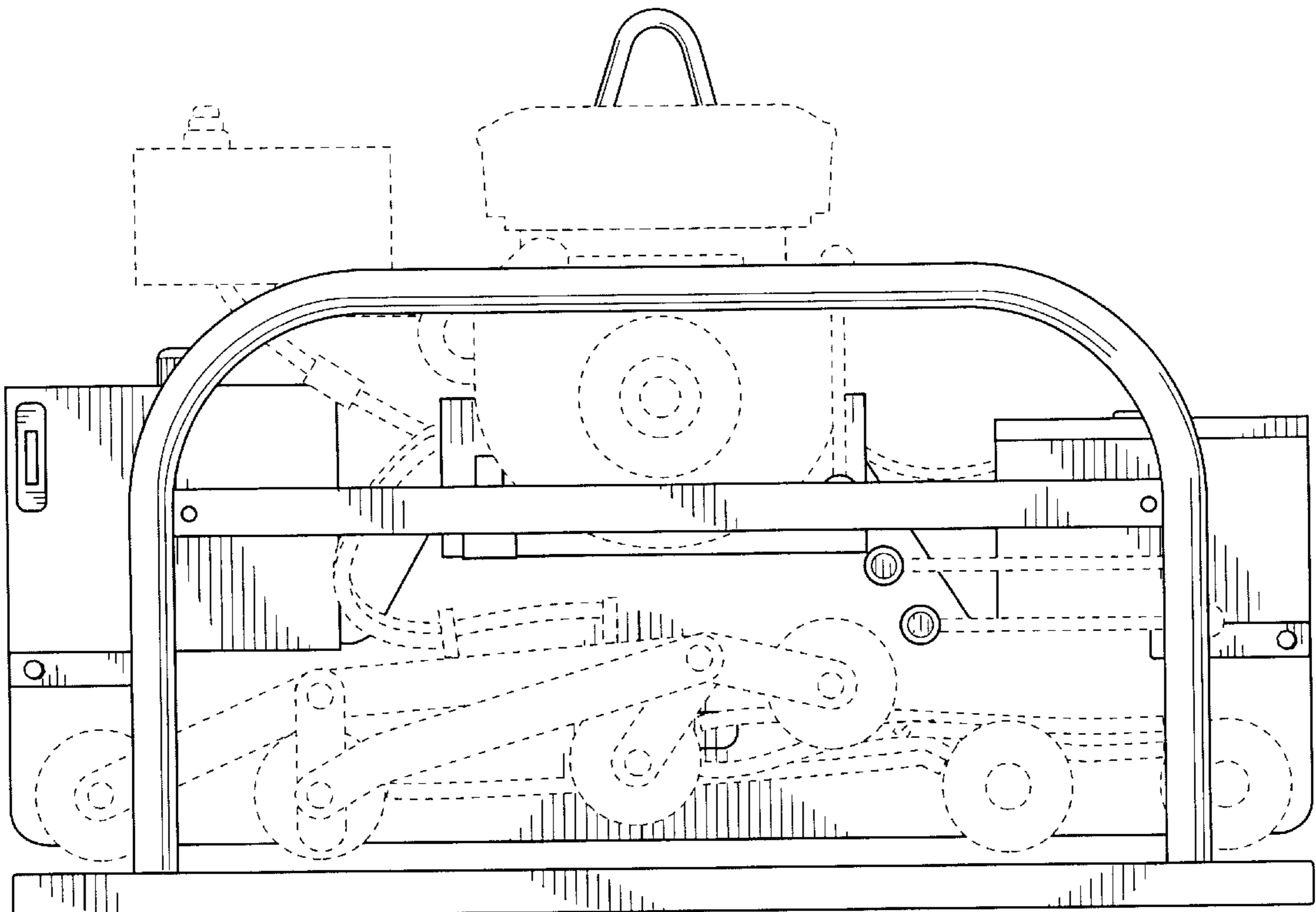
FIG. 8 is a perspective view of the top, said first end, and said one side thereof;

FIG. 9 is a perspective view of the top, said second end, and said one side thereof; and,

FIG. 10 is a perspective view of the top, said second end, and said another side thereof.

The elements shown in phantom lines in FIGS. 1–5 do not form any part of the design of the present invention.

**1 Claim, 10 Drawing Sheets**



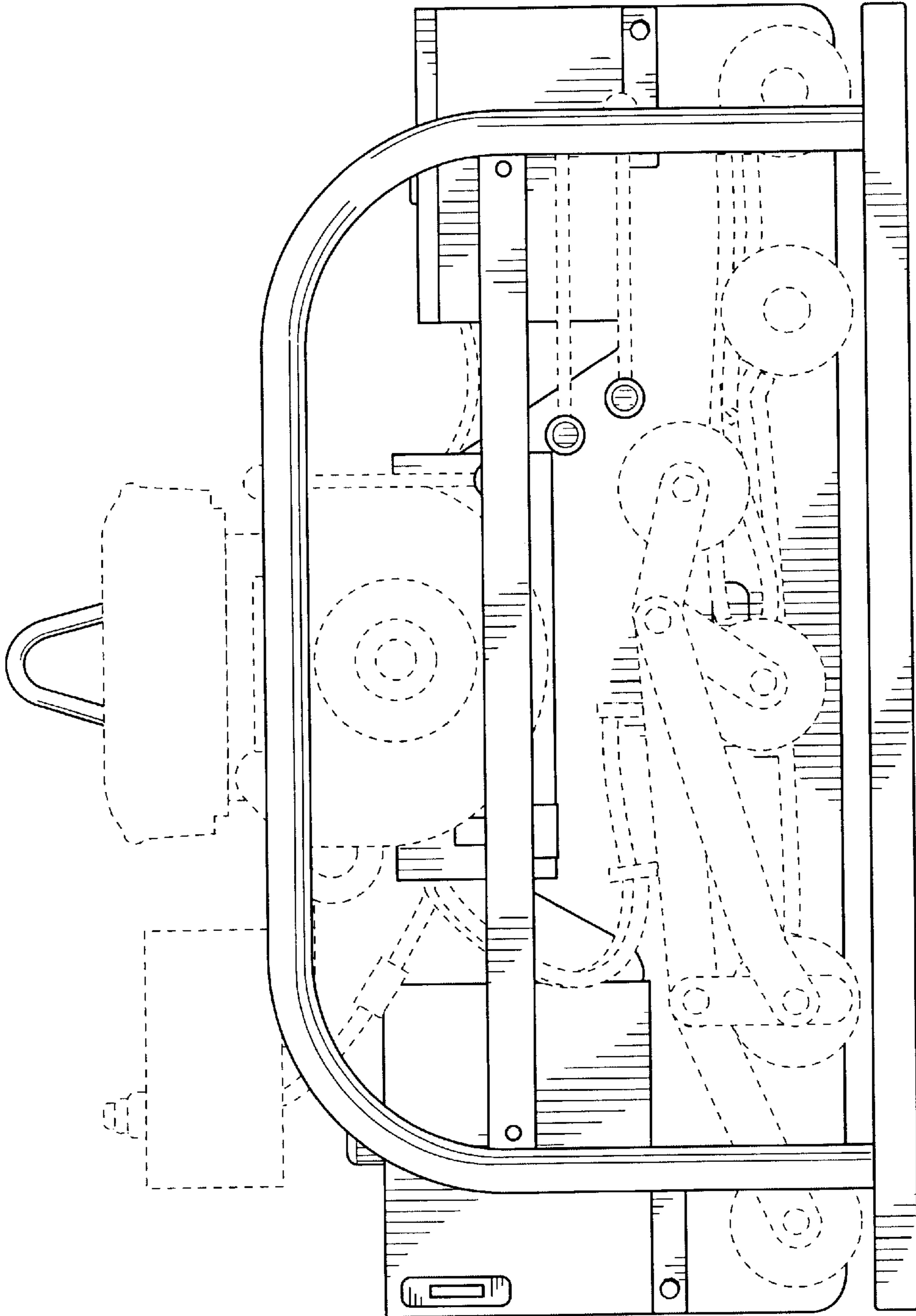


FIG. 1

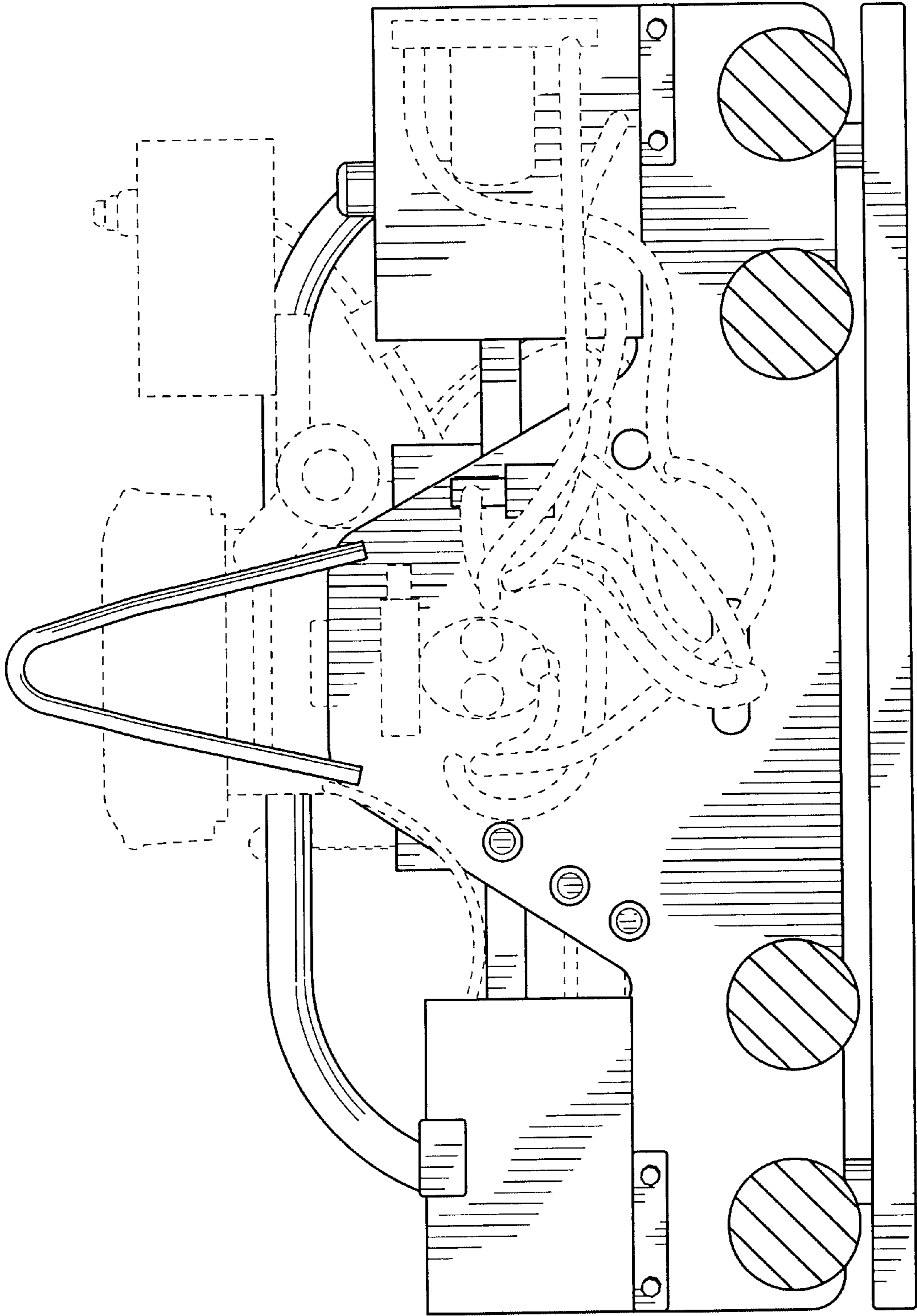


FIG. 2

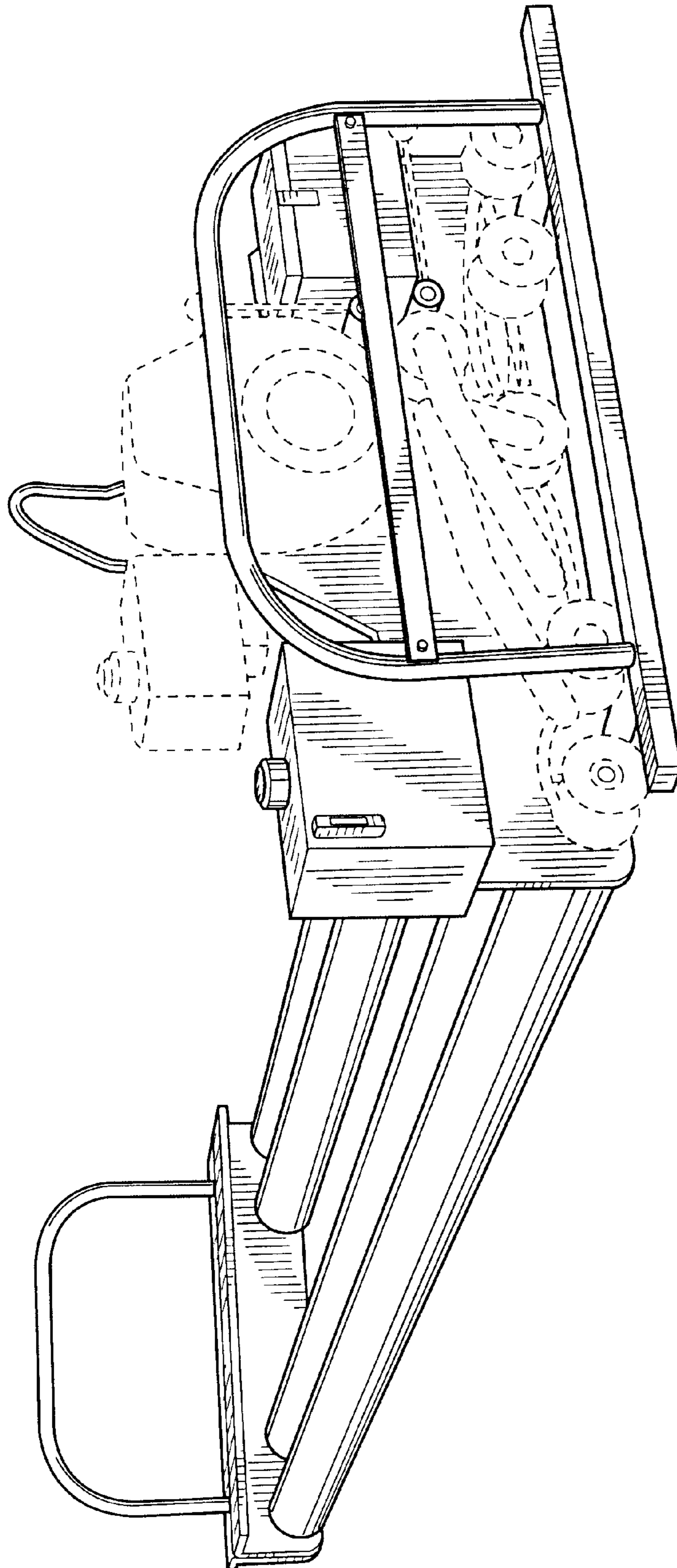


FIG. 3



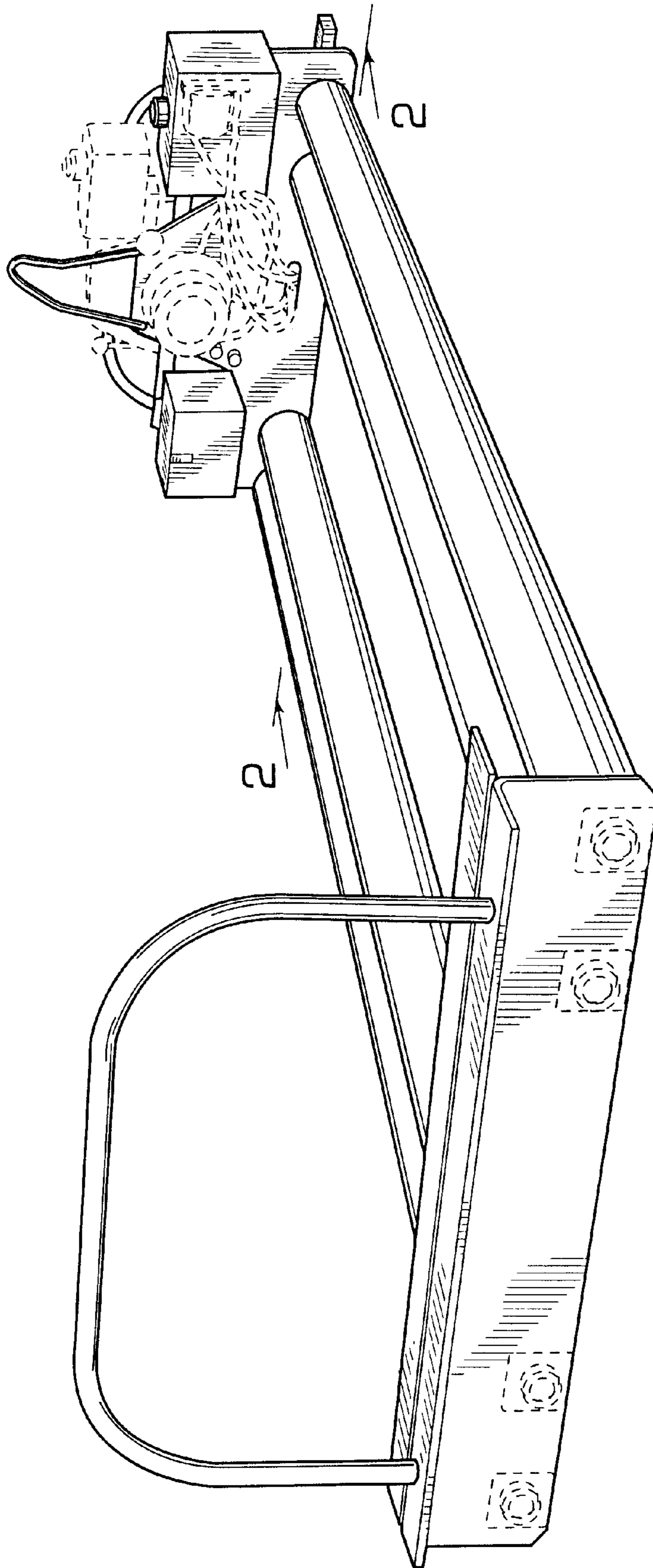


FIG. 4

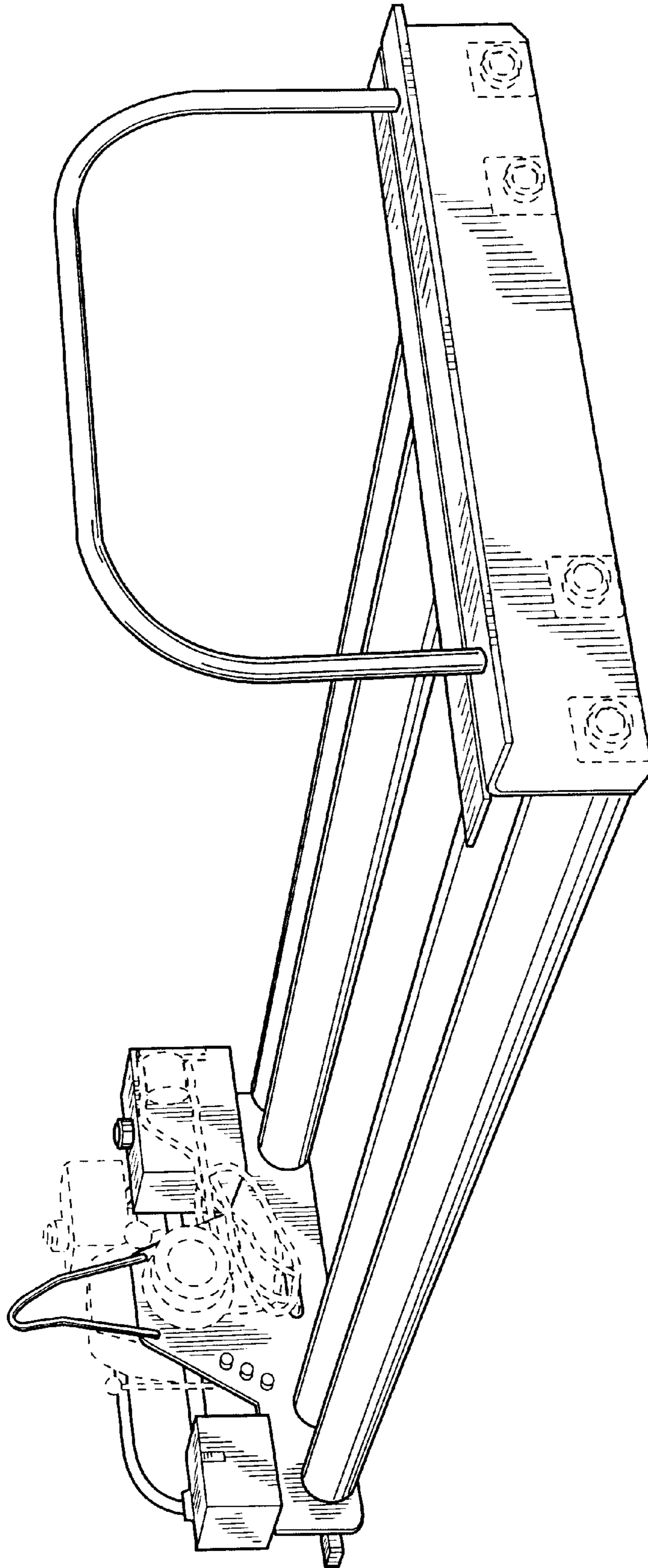


FIG. 5

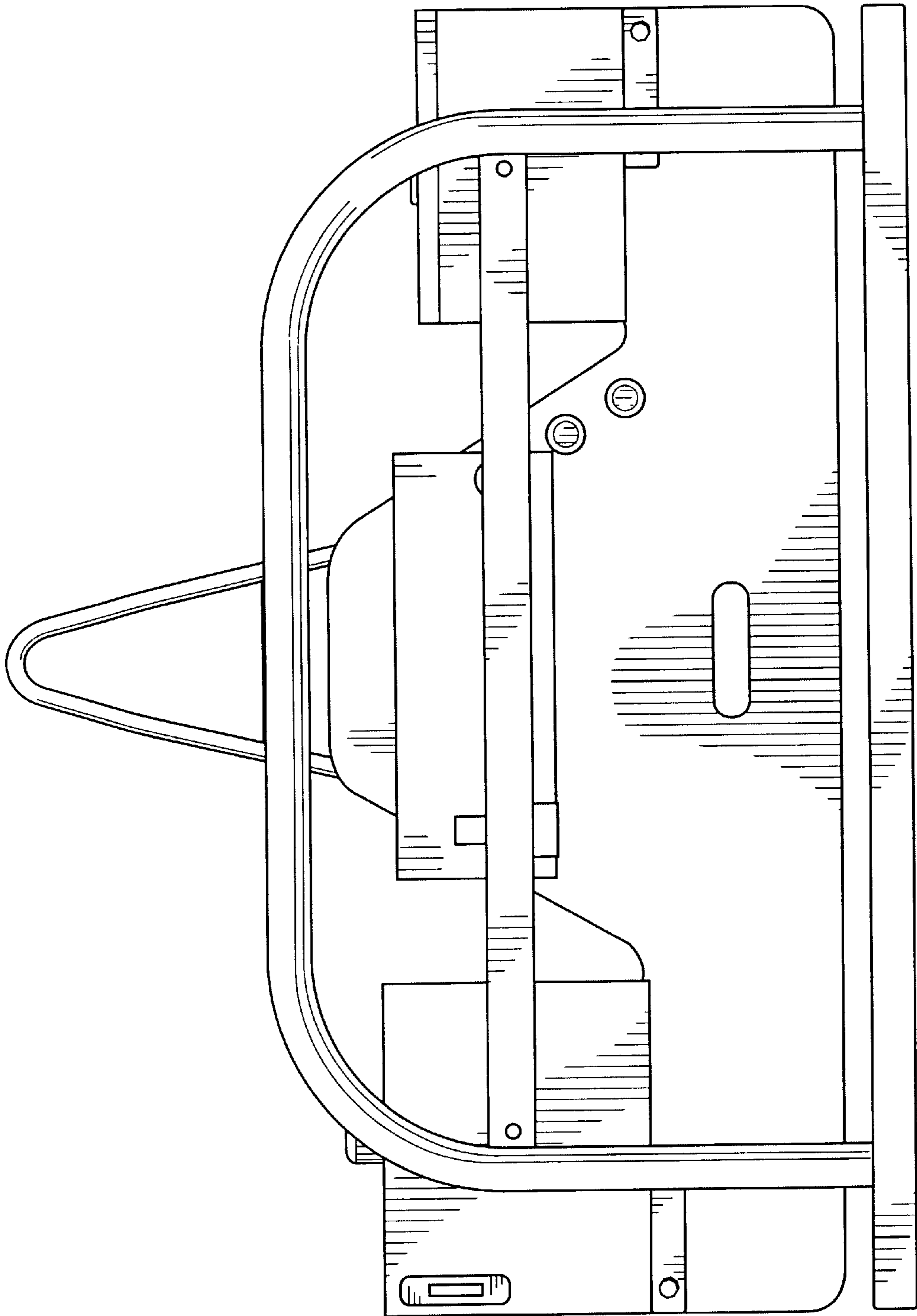


FIG. 6

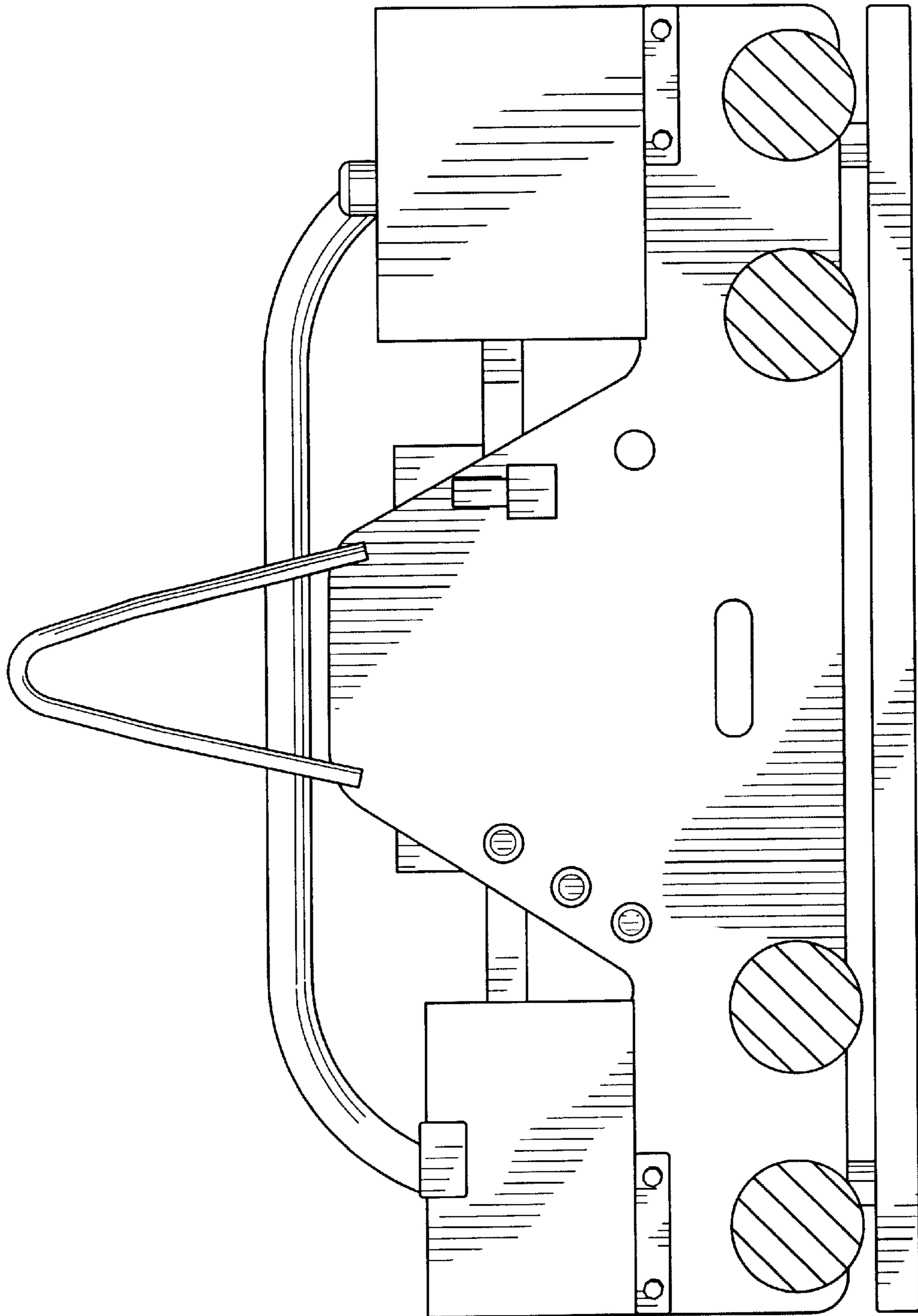


FIG. 7



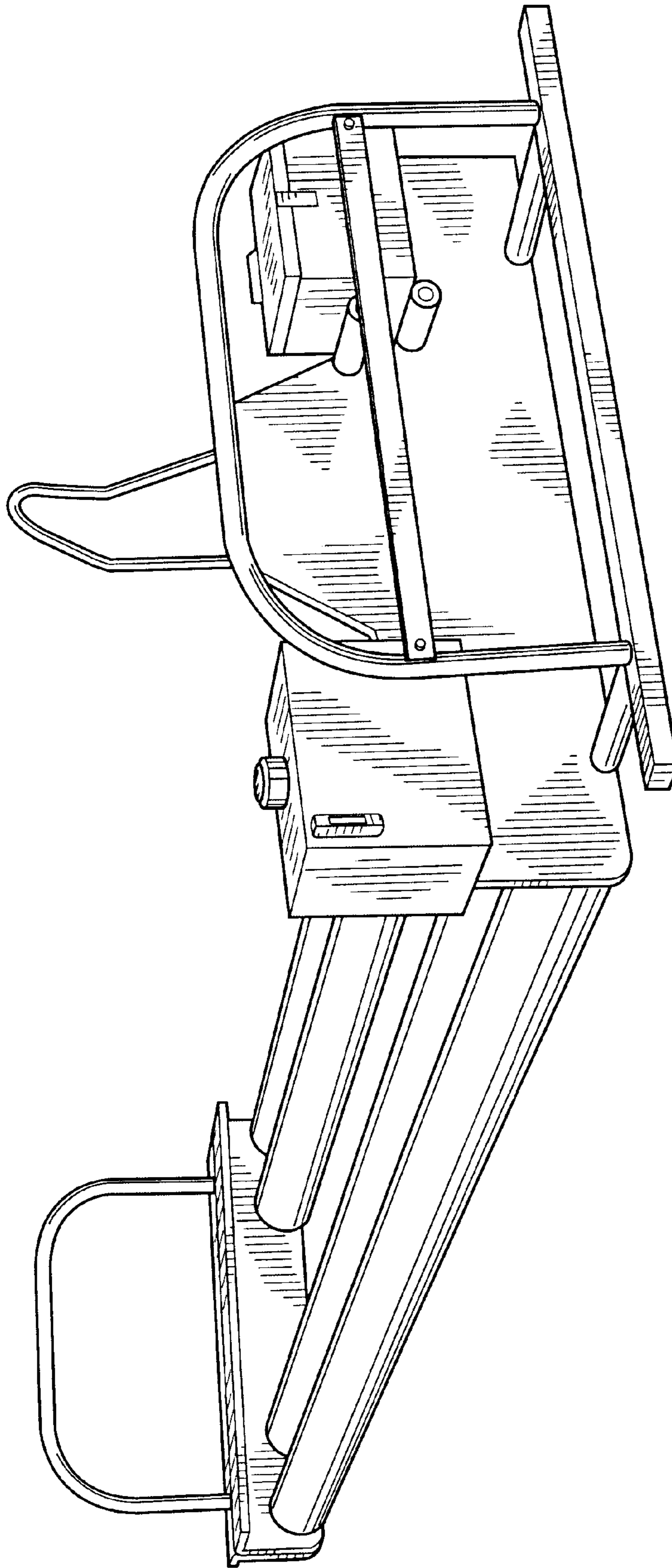


FIG. 8

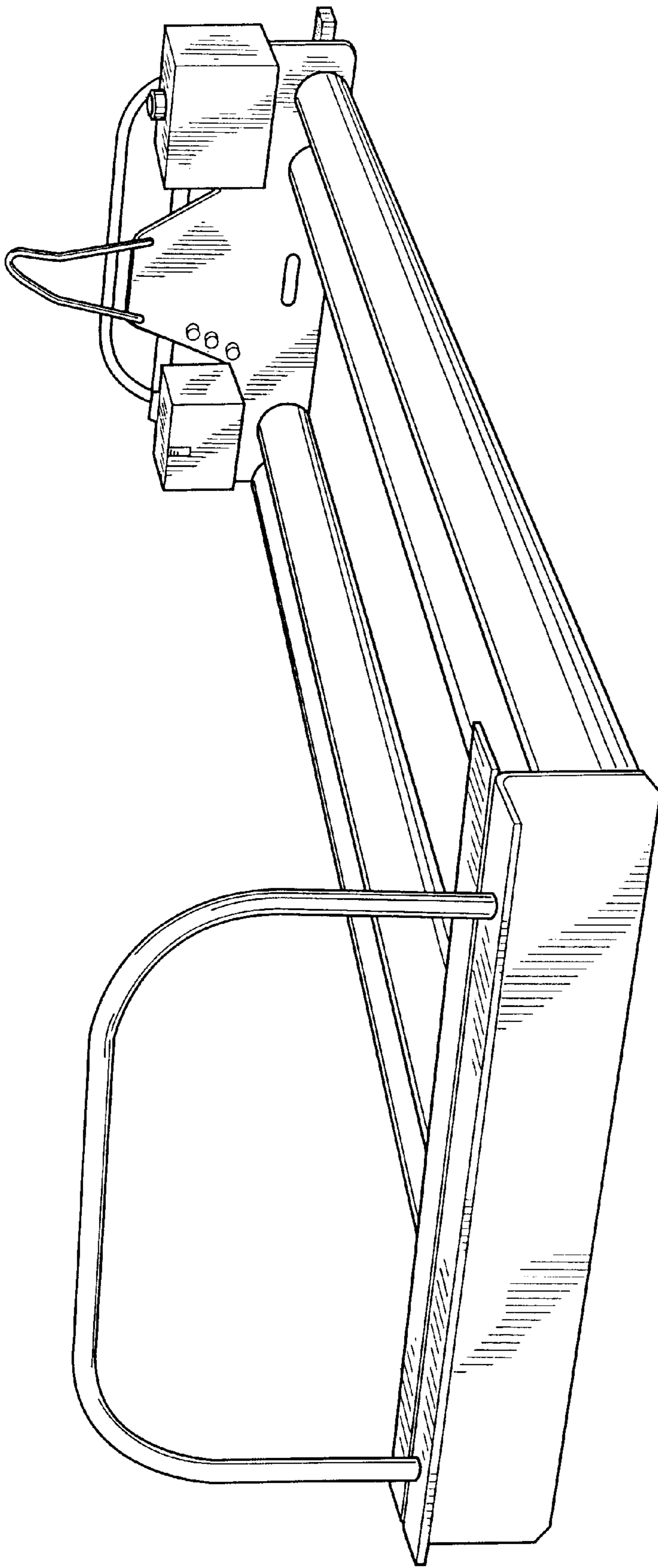


FIG. 9

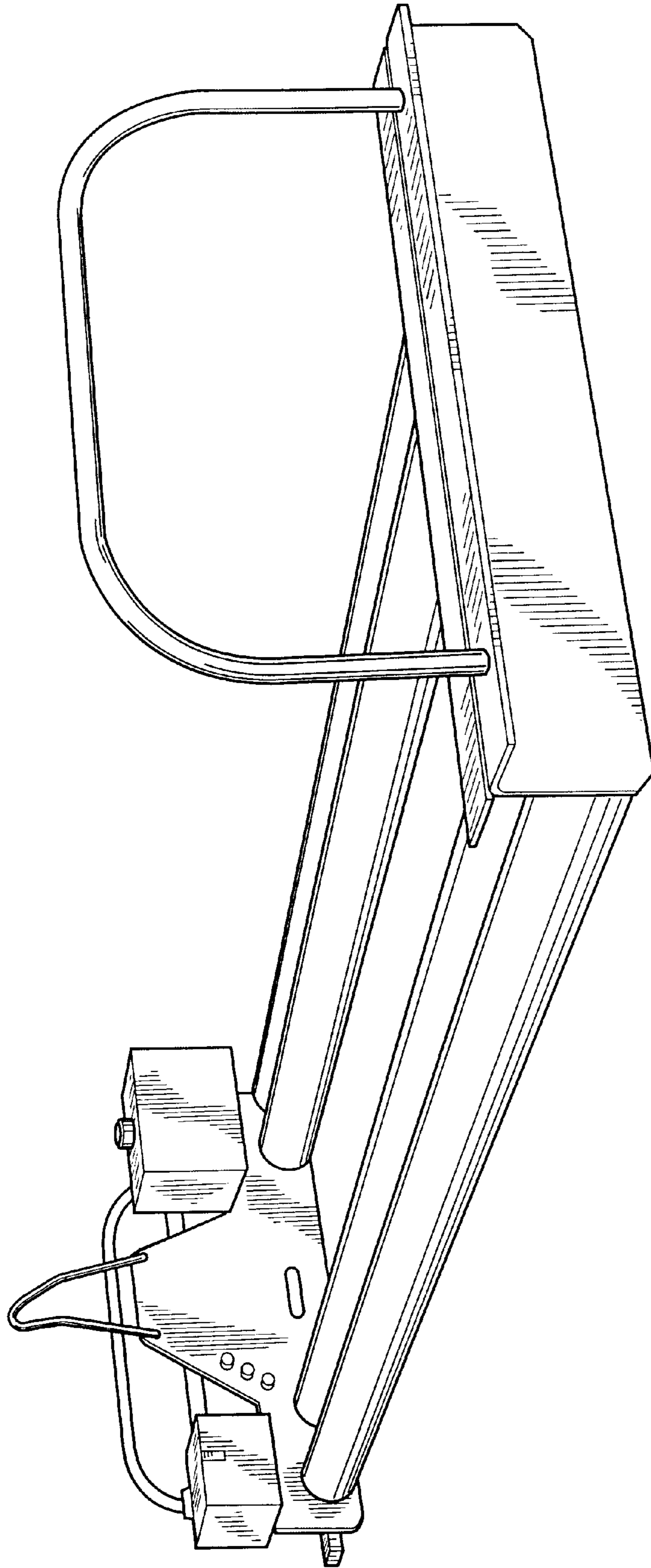


FIG. 10