



US00D425081S

**United States Patent** [19]  
**Hartmann**

[11] **Patent Number: Des. 425,081**

[45] **Date of Patent: \*\* May 16, 2000**

[54] **TORQUE CONVERTER FRONT COVER**

[75] Inventor: **Ronald L. Hartmann**, Abilene, Tex.

[73] Assignee: **R. D. Hartmann, Inc.**, Abilene, Tex.

[\*\*] Term: **14 Years**

[21] Appl. No.: **29/061,835**

[22] Filed: **Oct. 31, 1996**

[51] **LOC (7) Cl.** ..... **15-01**

[52] **U.S. Cl.** ..... **D15/5**

[58] **Field of Search** ..... D15/1, 5; 29/889.1,  
29/889.5; 73/66, 468-470; 322/10

[56] **References Cited**

**U.S. PATENT DOCUMENTS**

D. 295,444 4/1988 Sundqvist ..... D15/5 X  
3,035,447 5/1962 Carrigan ..... 73/468

4,561,035 12/1985 McDorman et al. .... 73/468

5,001,412 3/1991 Carter et al. .... 322/10

5,065,509 11/1991 Ssahashi ..... 29/889.5 X

5,333,500 8/1994 O'Daniel ..... 73/468

*Primary Examiner*—Nanda Bondade  
*Attorney, Agent, or Firm*—Baker Botts L.L.P.

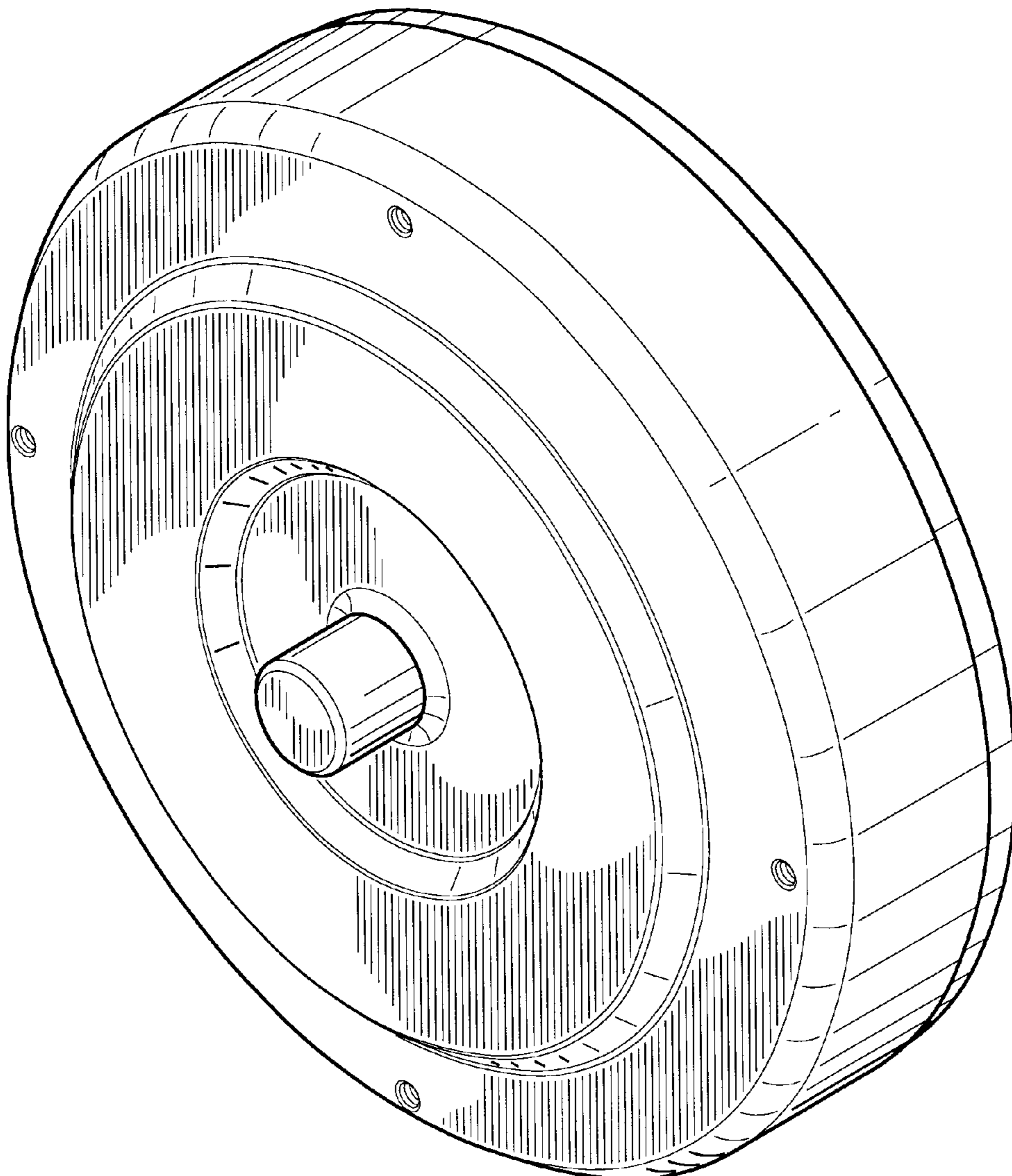
[57] **CLAIM**

The ornamental design for a torque converter front cover, as shown and described.

**DESCRIPTION**

FIG. 1 is a perspective view of a torque converter front cover, showing my new design;  
FIG. 2 is a top plan view thereof;  
FIG. 3 is a side elevational view thereof;  
FIG. 4 is a bottom plan view thereof; and,  
FIG. 5 is a side cross-sectional view thereof.

**1 Claim, 3 Drawing Sheets**



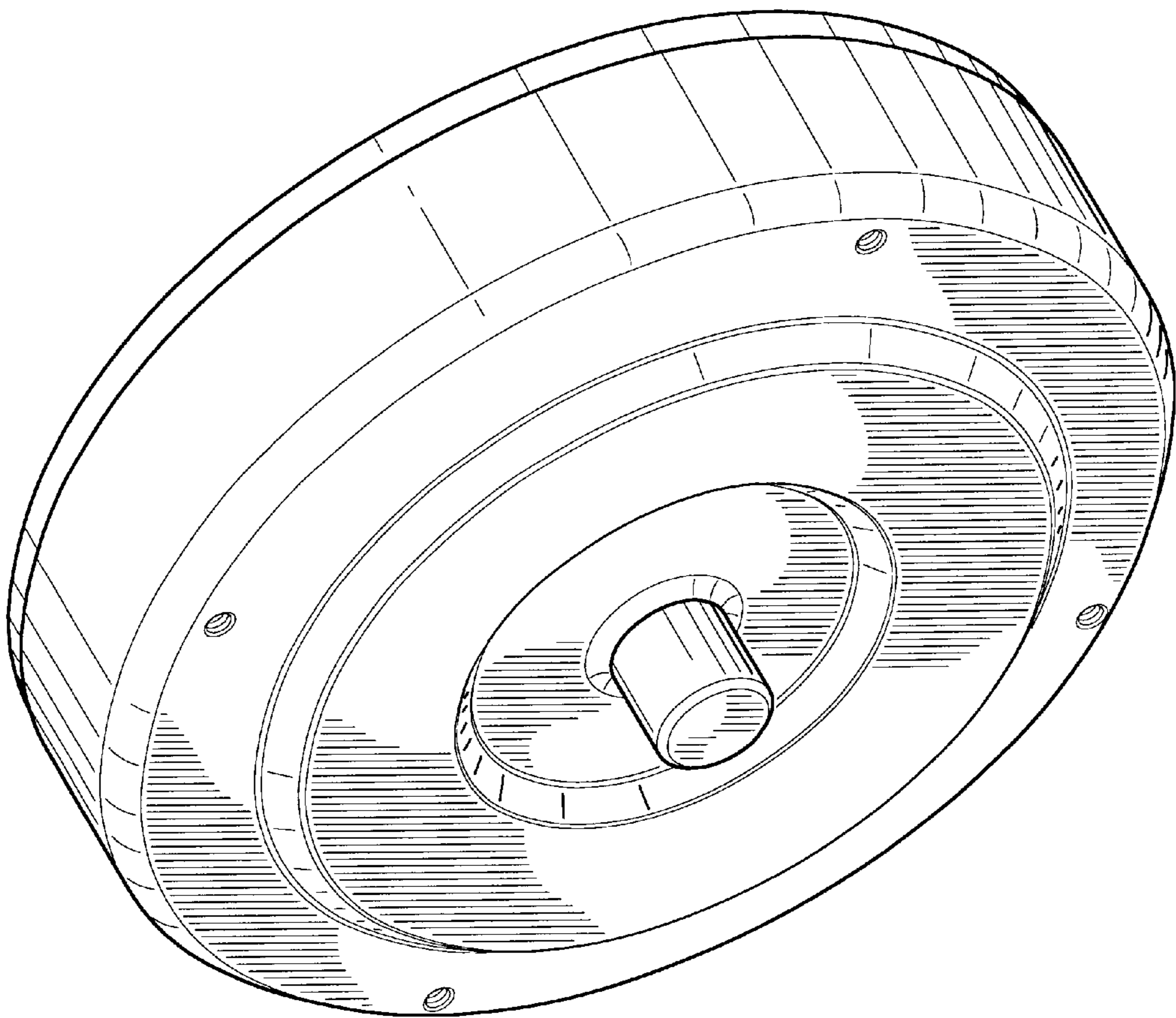


FIG. 1

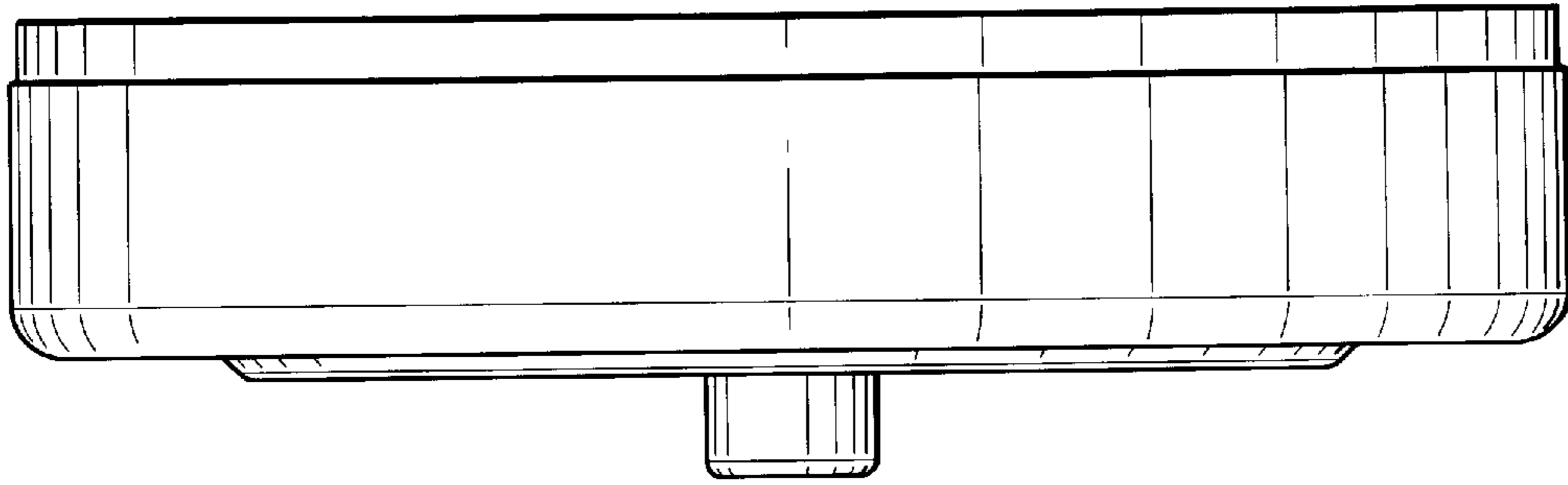


FIG. 3

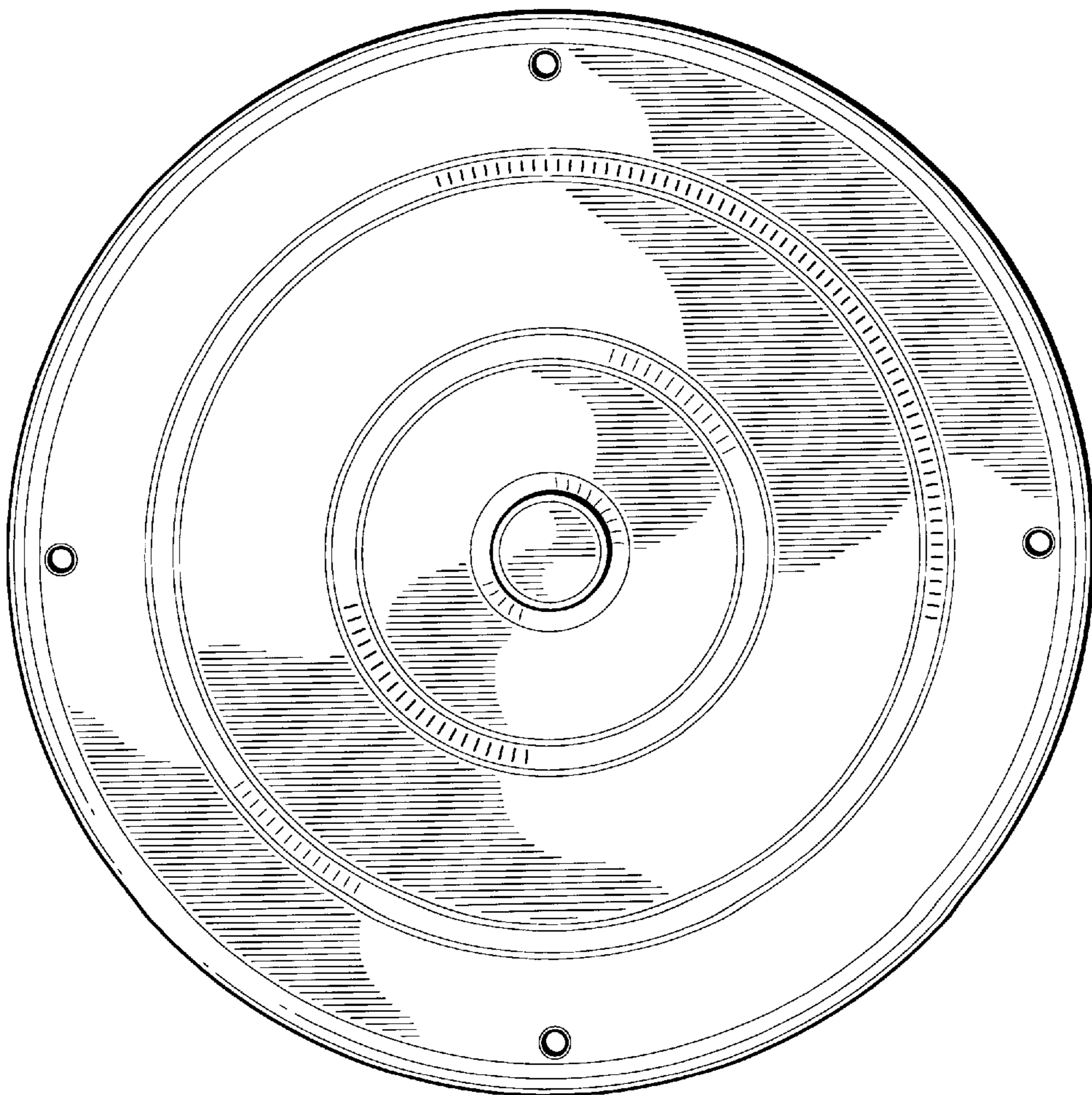


FIG. 2

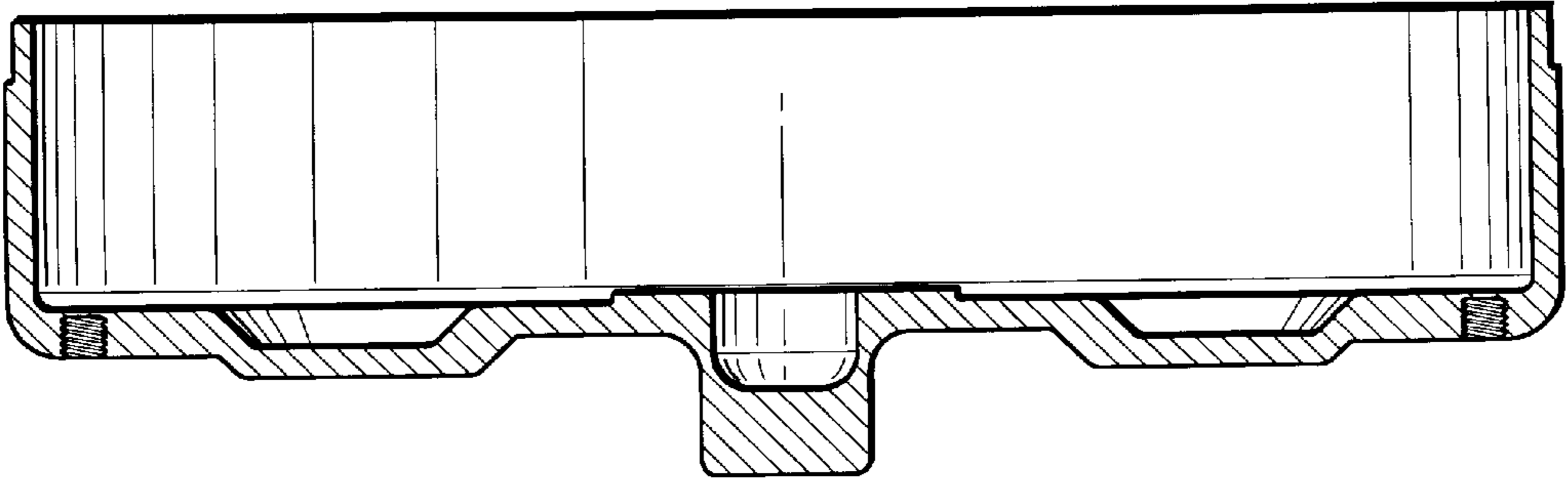


FIG. 5

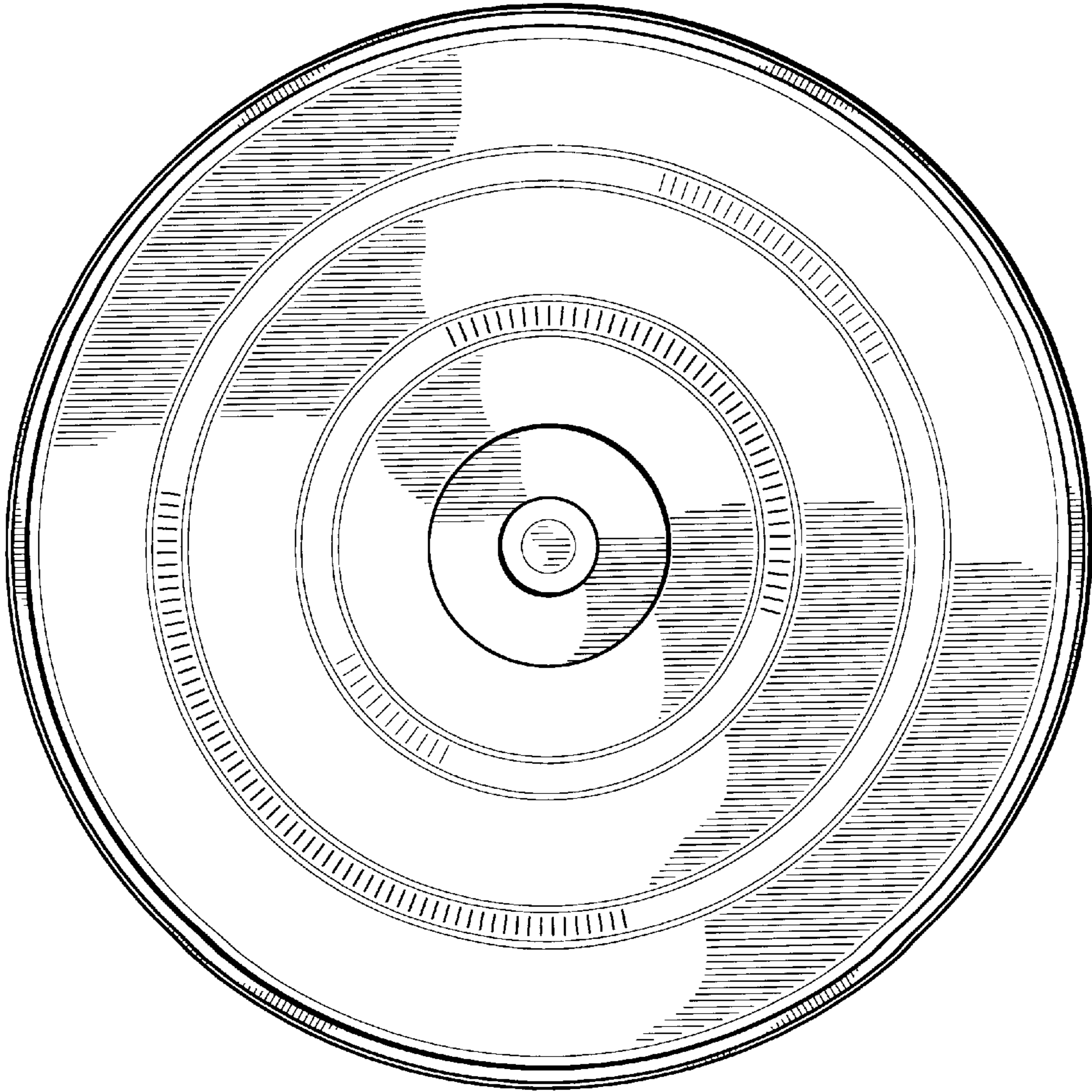


FIG. 4