



US00D425073S

**United States Patent** [19]  
**Finkbeiner**

[11] **Patent Number: Des. 425,073**

[45] **Date of Patent: \*\* May 16, 2000**

[54] **COVER FOR A TELEPHONE HANDSET**

[75] Inventor: **Tanja Finkbeiner**, Los Angeles, Calif.

[73] Assignee: **Nokia Mobile Phones Limited**, Espoo, Finland

[\*\*] Term: **14 Years**

[21] Appl. No.: **29/104,116**

[22] Filed: **Apr. 28, 1999**

[51] **LOC (7) Cl.** ..... **14-03**

[52] **U.S. Cl.** ..... **D14/248**

[58] **Field of Search** ..... D14/137, 218, D14/138, 144, 147-148, 247-249, 140-142, 250, 240, 100, 115; 379/433, 434, 419, 420, 428, 440, 368; 455/550-575, 90; D13/168, 103; D18/2, 7; D3/218

[56] **References Cited**

**U.S. PATENT DOCUMENTS**

D. 390,848	2/1998	Santee et al.	.....	D14/240
D. 392,285	3/1998	MacDonald et al.	.....	D14/138
D. 405,784	2/1999	Phillips et al.	.....	D14/138
D. 406,583	3/1999	Phillips et al.	.....	D14/138

D. 406,848	3/1999	Salmi	.....	D14/240
D. 407,398	3/1999	Nuovo et al.	.....	D14/138
D. 407,400	3/1999	Tattari	.....	D14/138
D. 407,701	4/1999	Chintala et al.	.....	D14/138
5,546,457	8/1996	Tomura et al.	.....	379/368
5,586,184	12/1996	Piper	.....	379/433
5,848,152	12/1998	Slipy et al.	.....	379/433

*Primary Examiner*—Jeffrey Asch  
*Attorney, Agent, or Firm*—Perman & Green, LLP

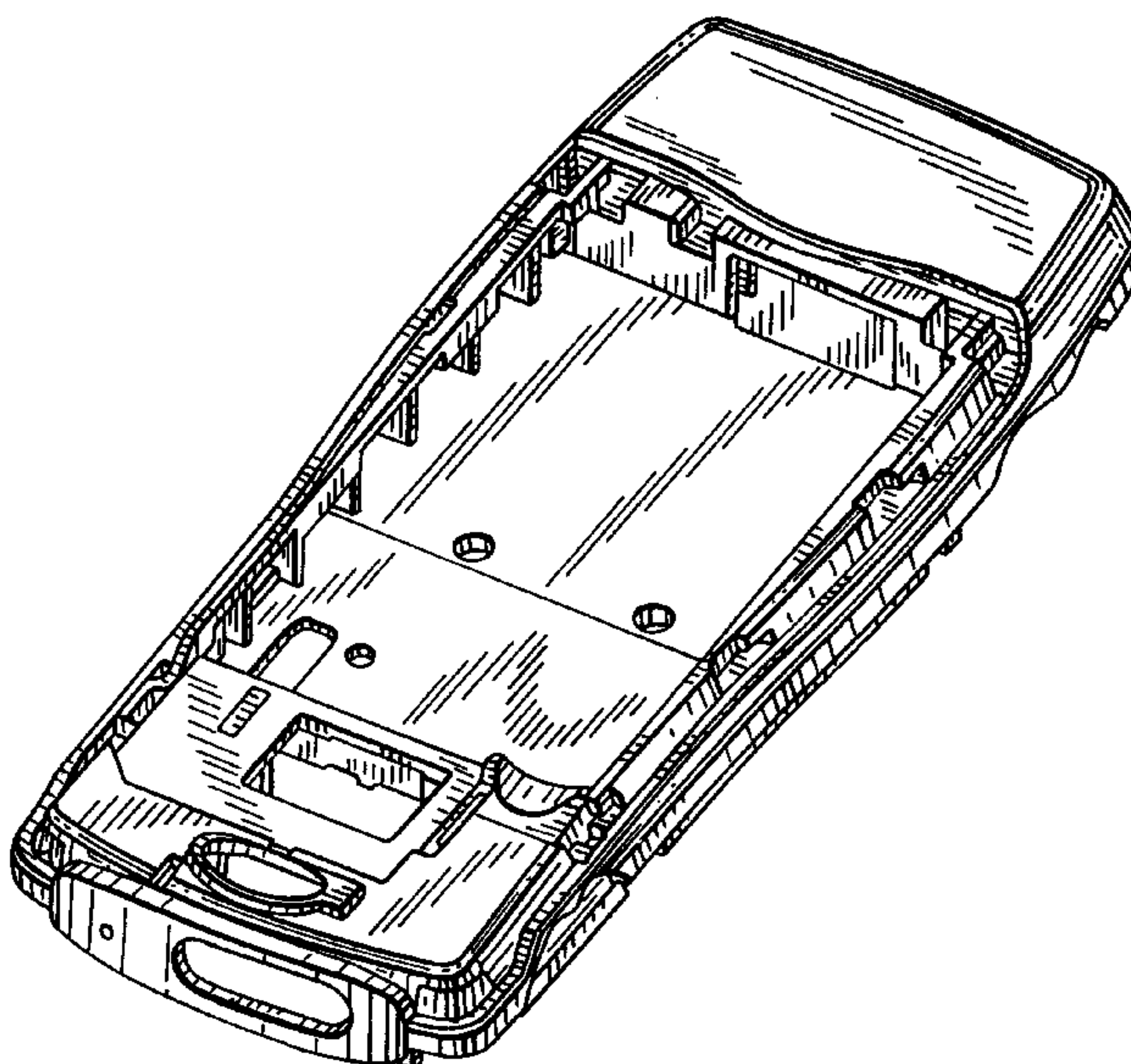
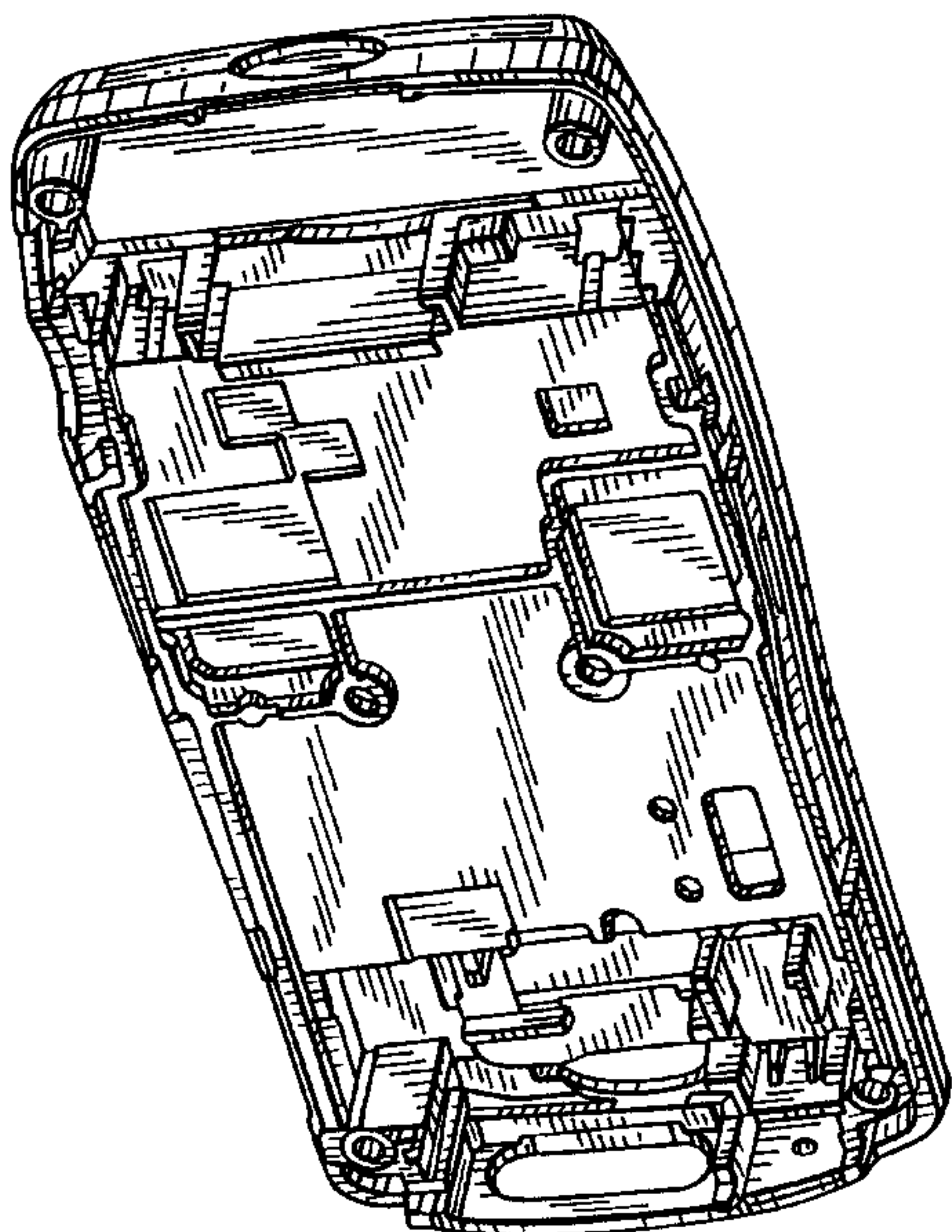
[57] **CLAIM**

The ornamental design for a cover for a telephone handset, as shown and described.

**DESCRIPTION**

FIG. 1 is a bottom plan view showing my new design; FIG. 2 is a left side view thereof; FIG. 3 is a rear elevational view thereof; FIG. 4 is a right side view thereof; FIG. 5 is a top plan view thereof; FIG. 6 is a top, rear and left side perspective view thereof; FIG. 7 is a bottom, front and right side perspective view thereof; and, FIG. 8 is a front elevational view.

**1 Claim, 5 Drawing Sheets**



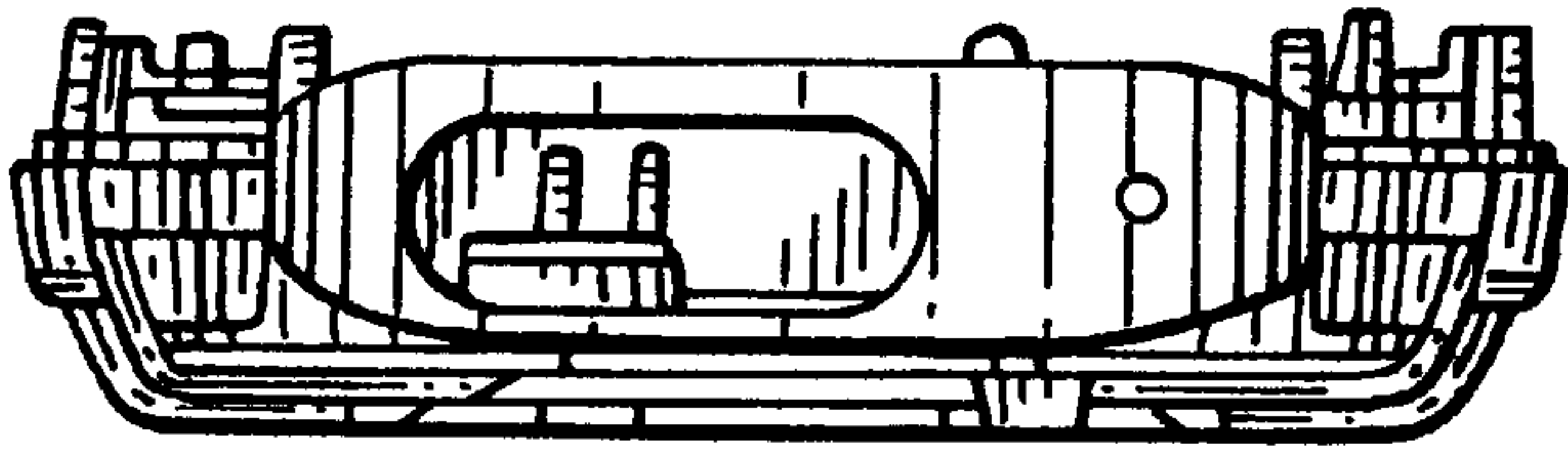


FIG. 1

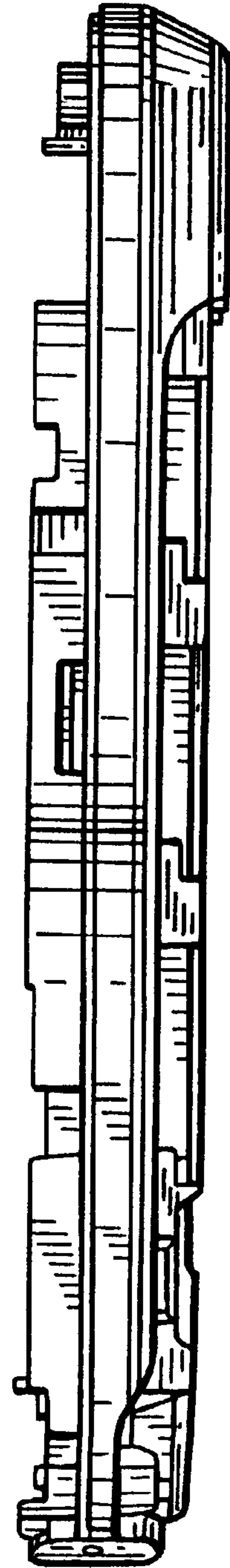


FIG. 2

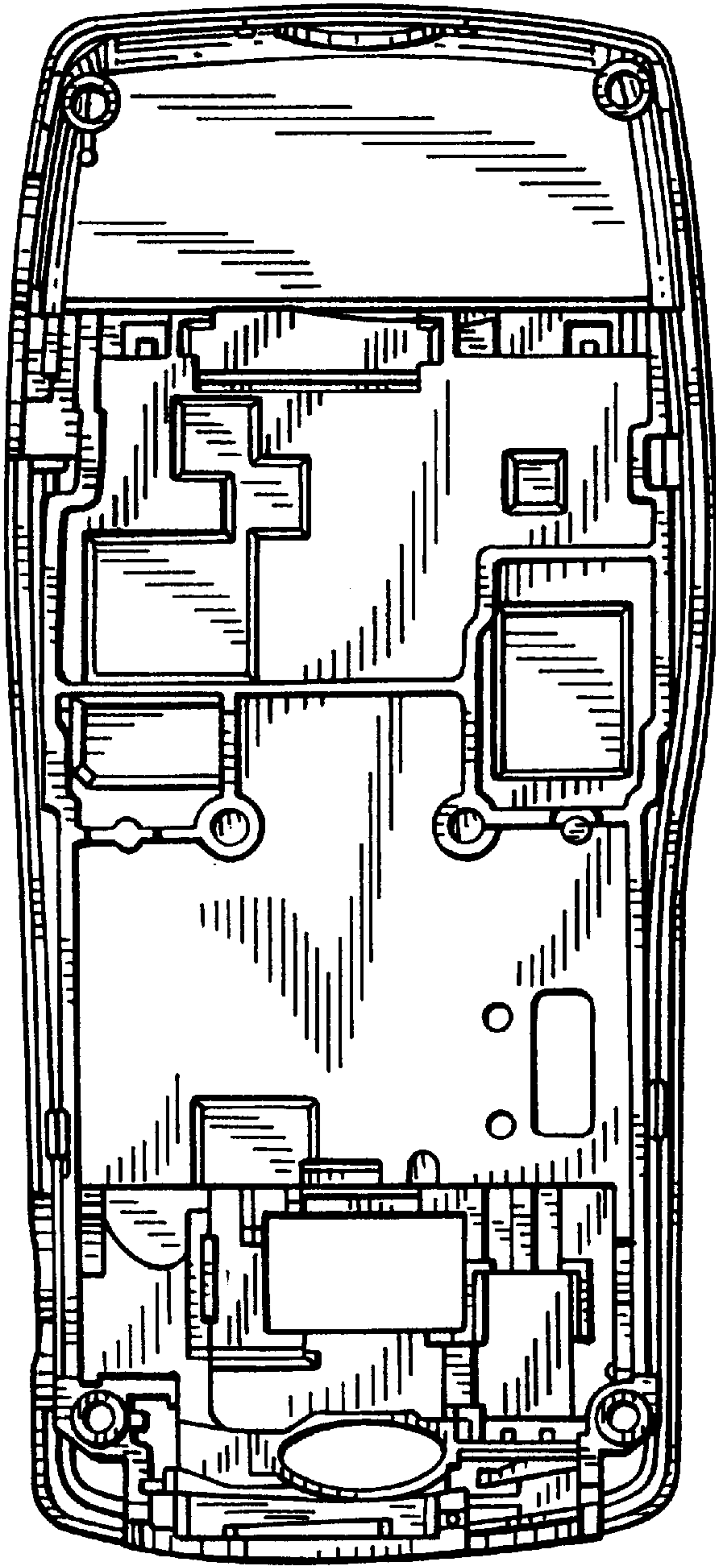


FIG. 3

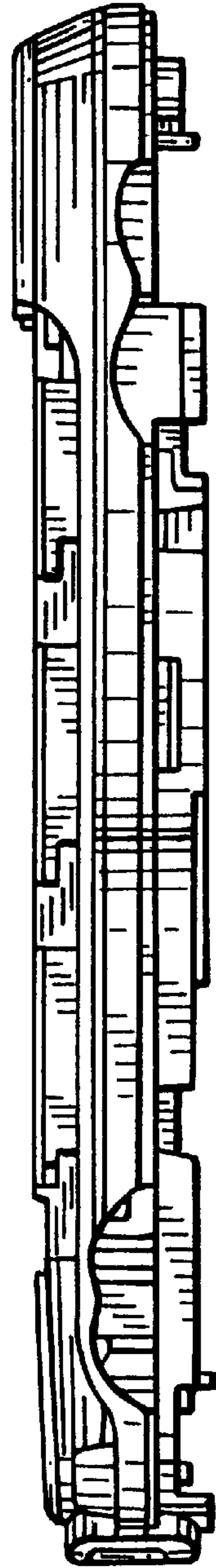


FIG. 4



FIG. 5

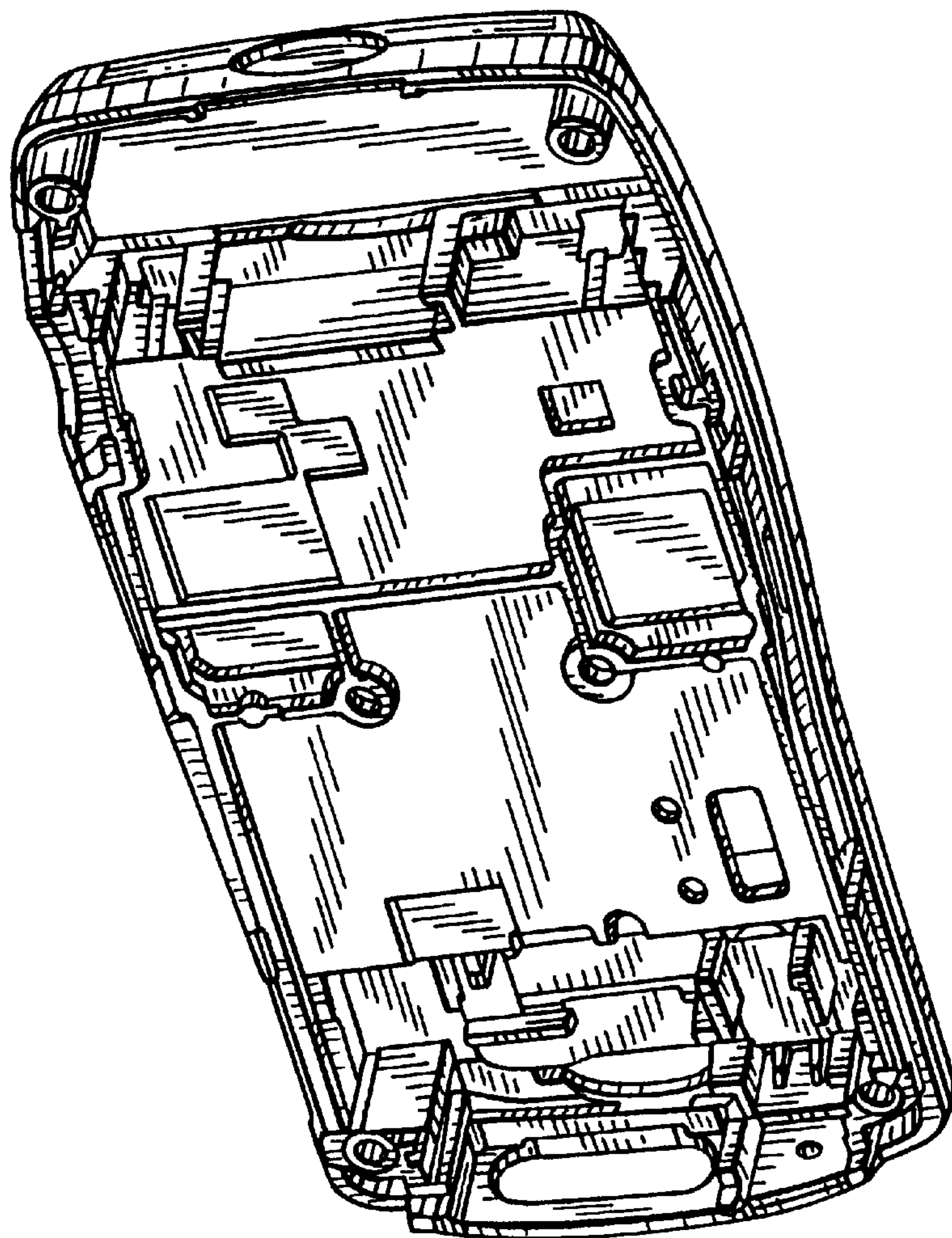
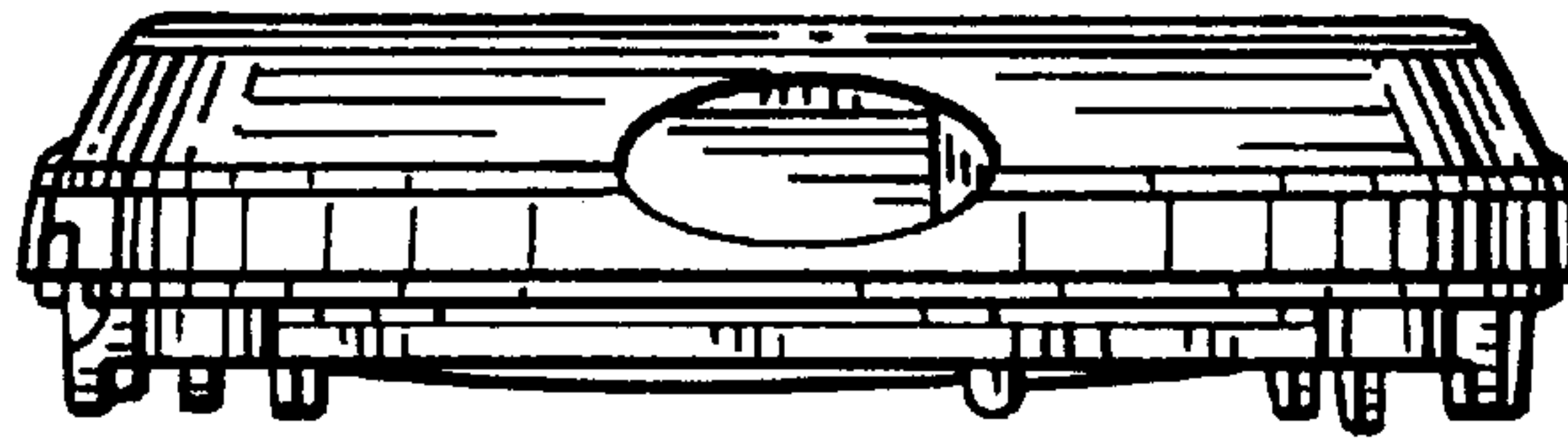


FIG. 6

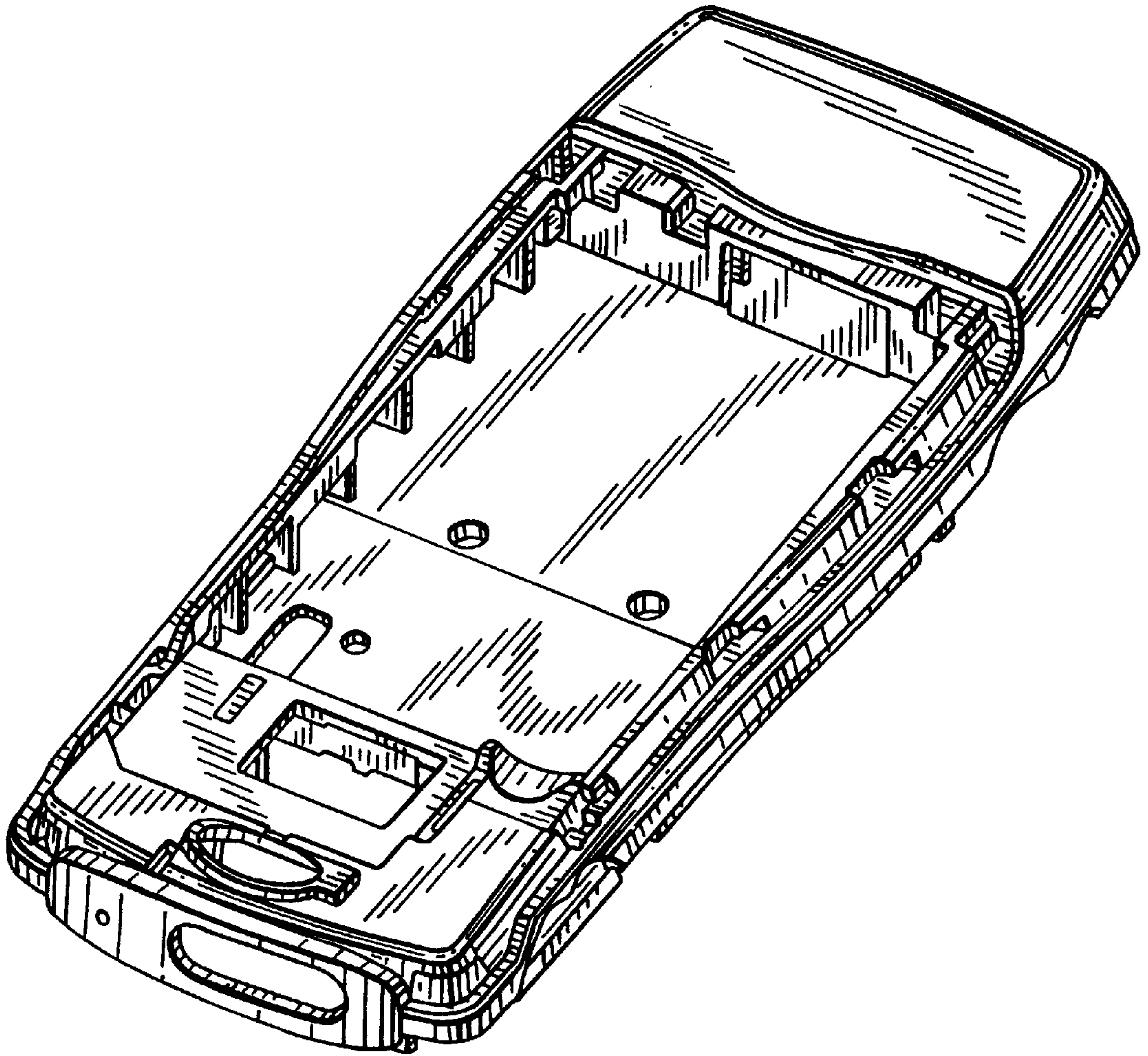


FIG. 7

FIG. 8

