



US00D425070S

# United States Patent [19] Johnson

[11] **Patent Number: Des. 425,070**

[45] **Date of Patent: \*\* May 16, 2000**

[54] **VIDEO CASSETTE PLAYER MOUNTING SYSTEM**

[75] Inventor: **James W. Johnson**, Elmira, Oreg.

[73] Assignee: **Rosen Products LLC**, Eugene, Oreg.

[\*\*] Term: **14 Years**

[21] Appl. No.: **29/089,628**

[22] Filed: **Jun. 18, 1998**

[51] **LOC (7) Cl.** ..... **14-03**

[52] **U.S. Cl.** ..... **D14/239; D14/299**

[58] **Field of Search** ..... D6/511, 553, 555,  
D6/567, 574; D14/135, 224, 239, 299;  
211/40, 88.01, 90.01, 135; 248/174, 176.1,  
250

[56] **References Cited**

**U.S. PATENT DOCUMENTS**

- D. 267,843 2/1983 Sundberg ..... D6/574
- D. 311,285 10/1990 Mastrodicasa ..... D6/511
- D. 312,185 11/1990 Prater, Sr. .... D6/567 X
- 4,155,312 5/1979 Thorkildson ..... D6/574 X

4,762,688 8/1988 Berry, Jr. .... 248/176.1

*Primary Examiner*—Nanda Bondade  
*Attorney, Agent, or Firm*—Kolisch, Hartwell, Dickinson,  
McCormack & Heuser

[57] **CLAIM**

The ornamental design for a video cassette player mounting system, as shown and described.

**DESCRIPTION**

FIG. 1 is an isometric view of a video cassette player mounting system showing my new design, taken generally from the upper front left corner;  
FIG. 2 is a right side elevation view thereof;  
FIG. 3 is a left side elevation view thereof;  
FIG. 4 is a top plan view thereof;  
FIG. 5 is a front elevation view thereof, the back elevation view being a mirror image of the front elevation view;  
FIG. 6 is a bottom plan view thereof; and,  
FIG. 7 is an isometric view thereof, taken generally from the upper front left corner.

The broken lines in FIGS. 1 and 3-7 are for illustrative purposes only and form no part of the claimed design.

**1 Claim, 3 Drawing Sheets**

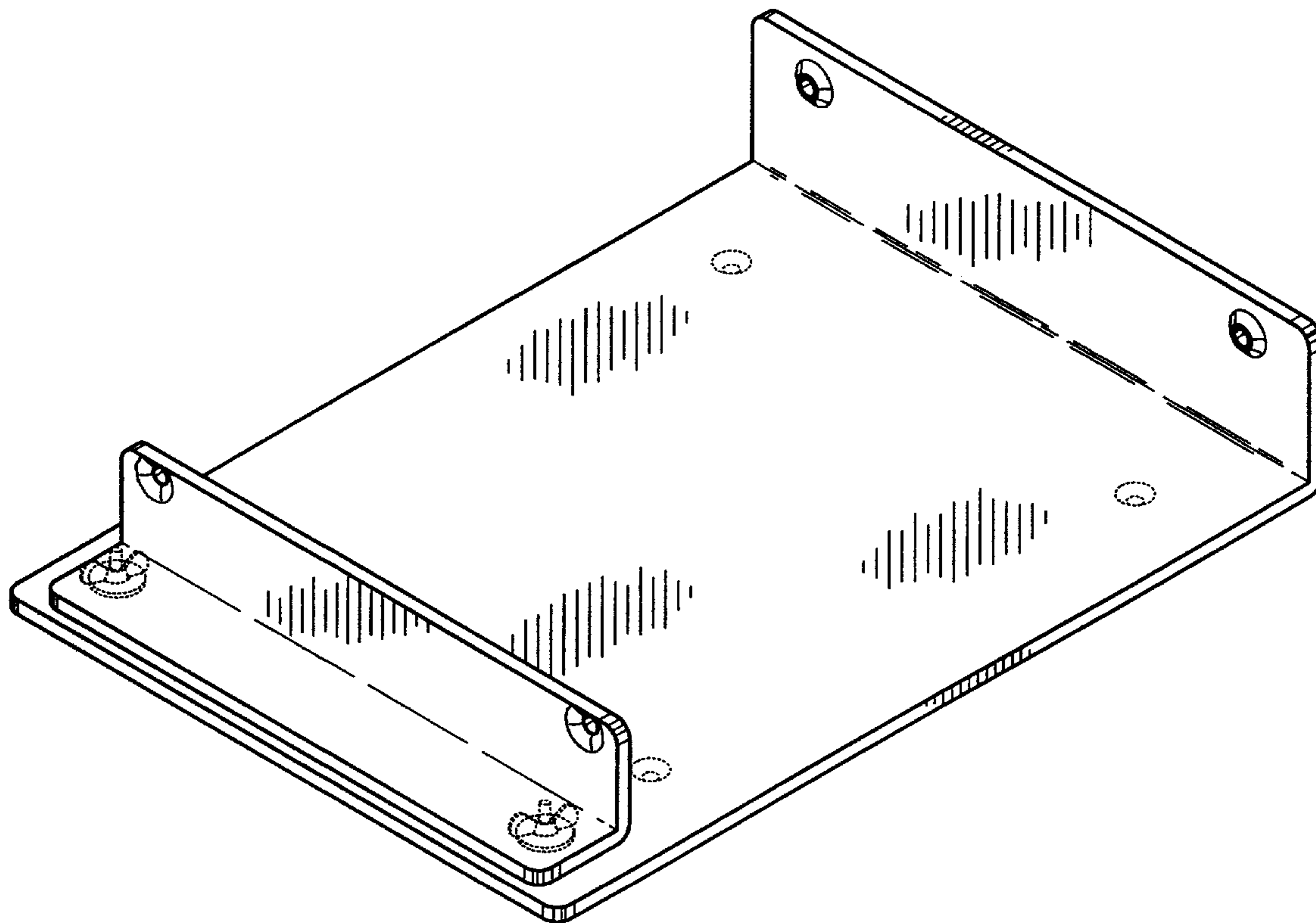


Fig. 2

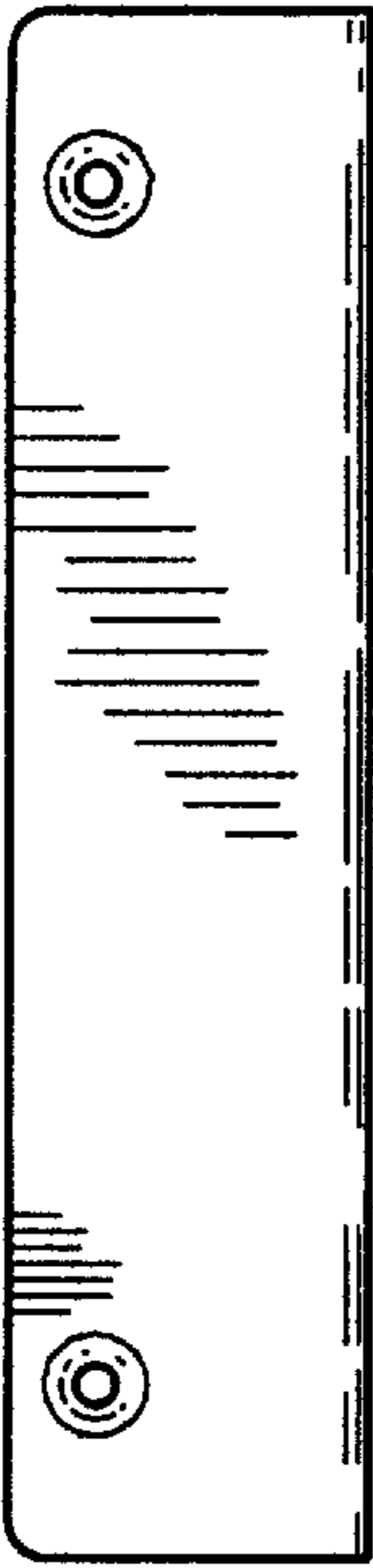


Fig. 3

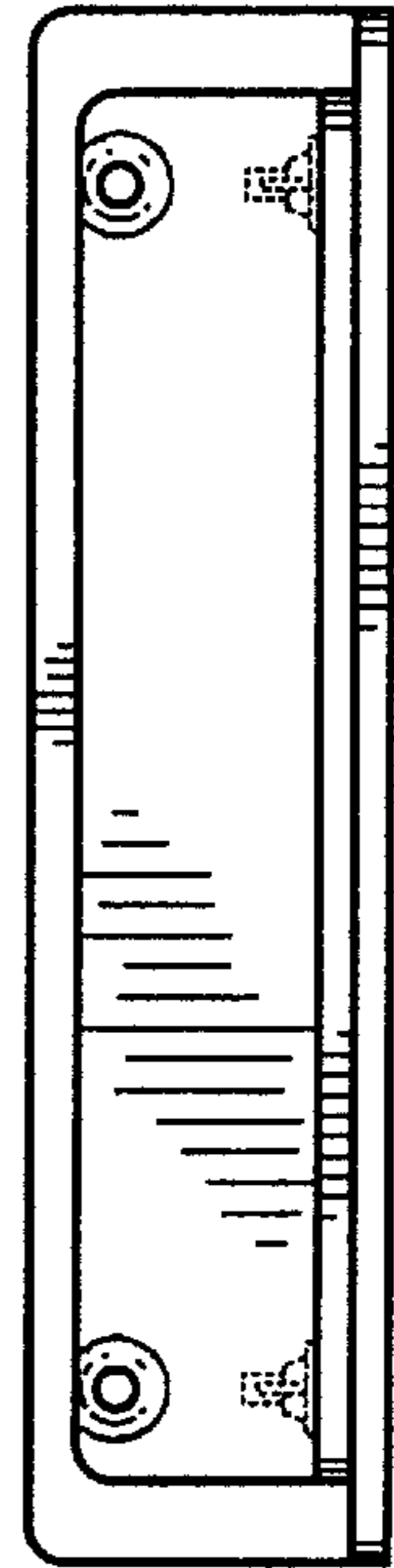


Fig. 1

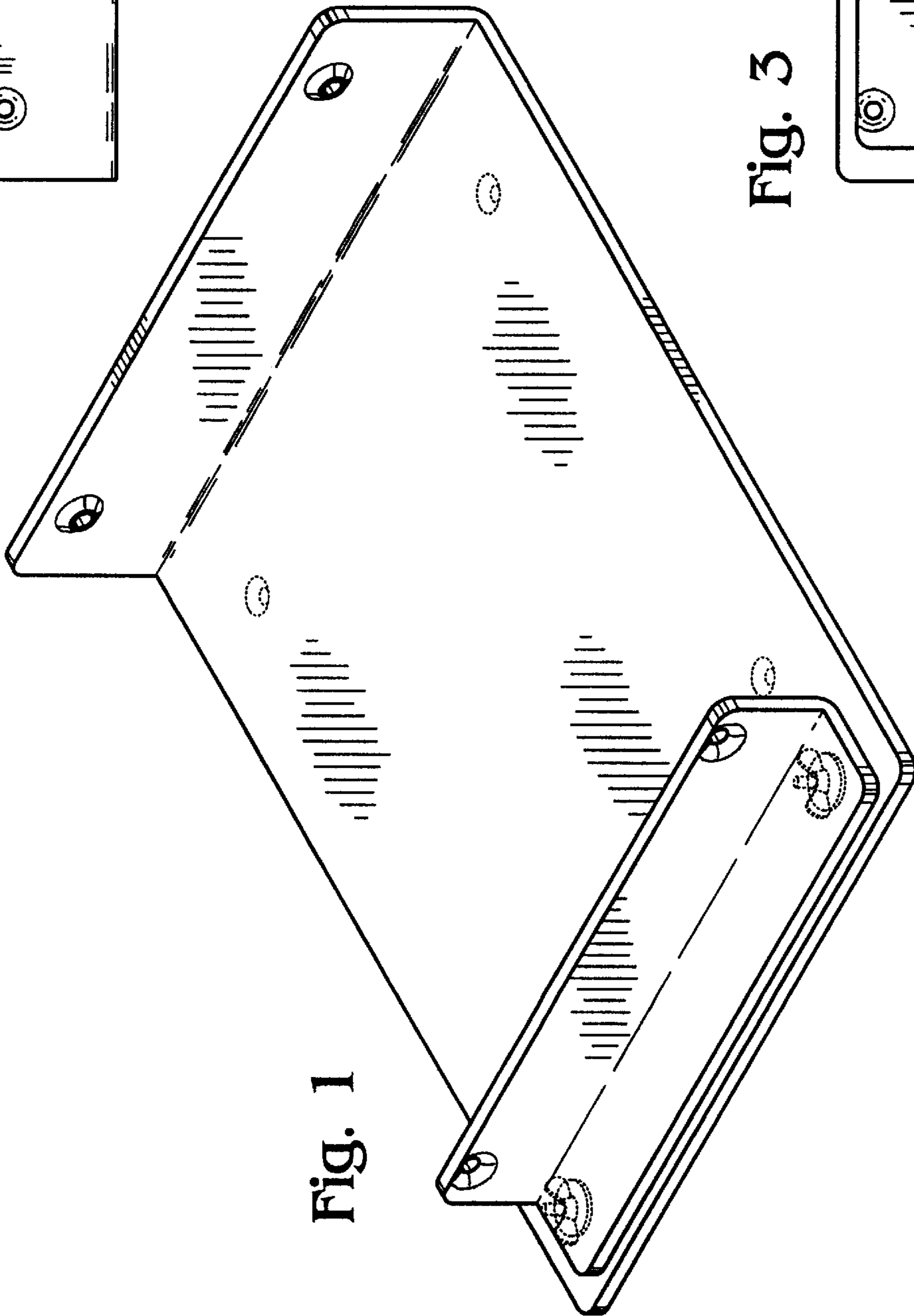


Fig. 4

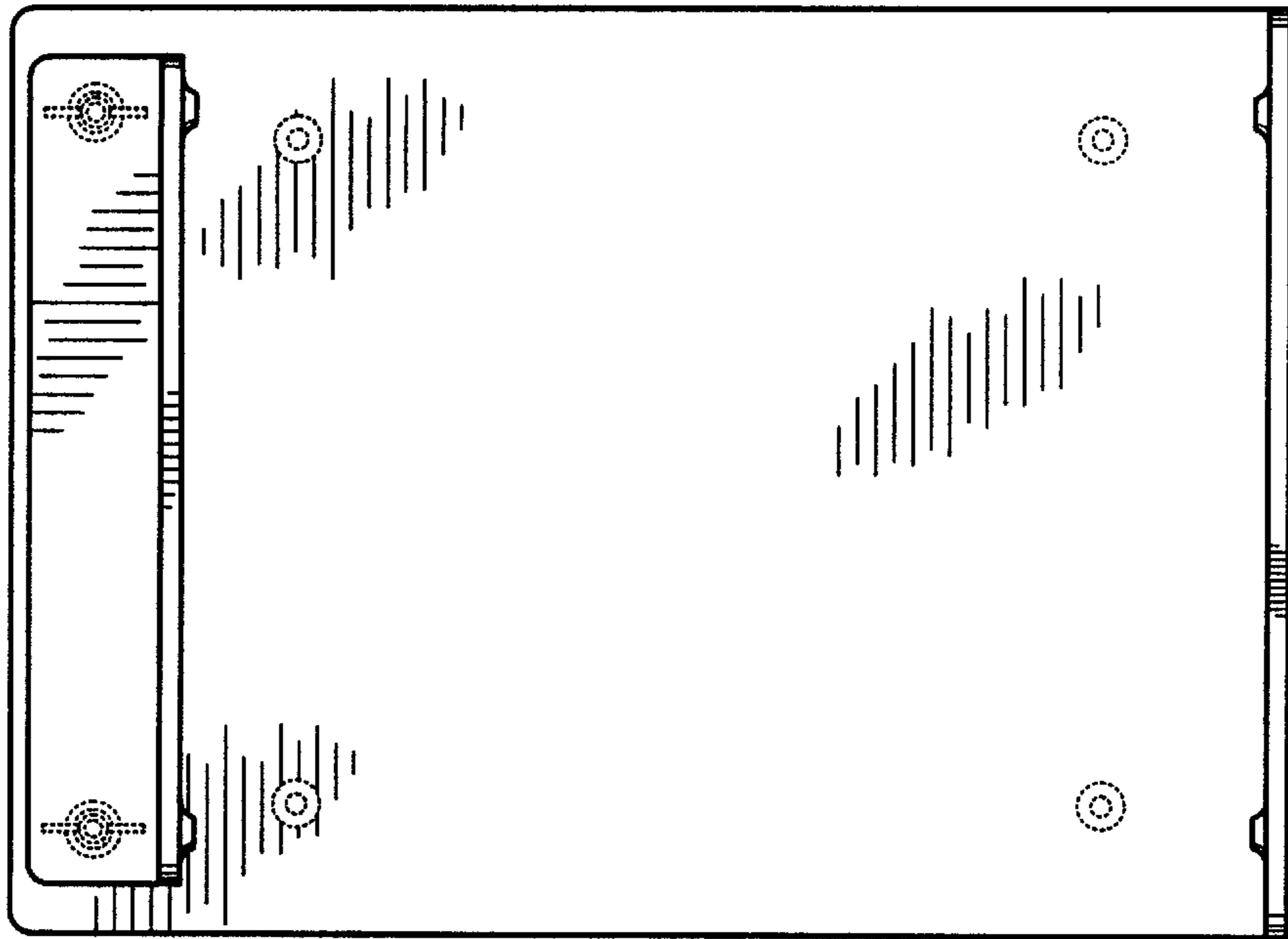
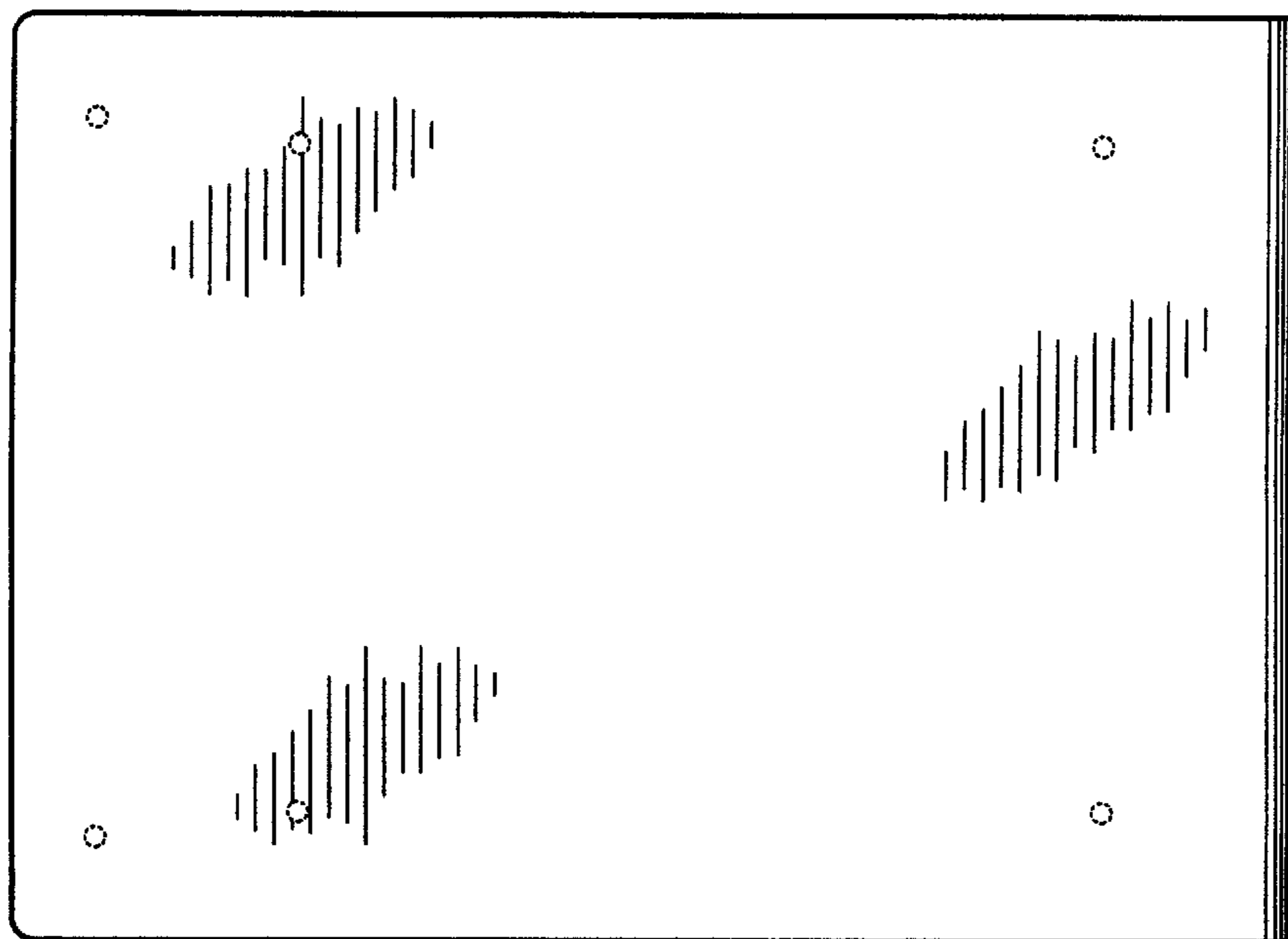


Fig. 5



Fig. 6



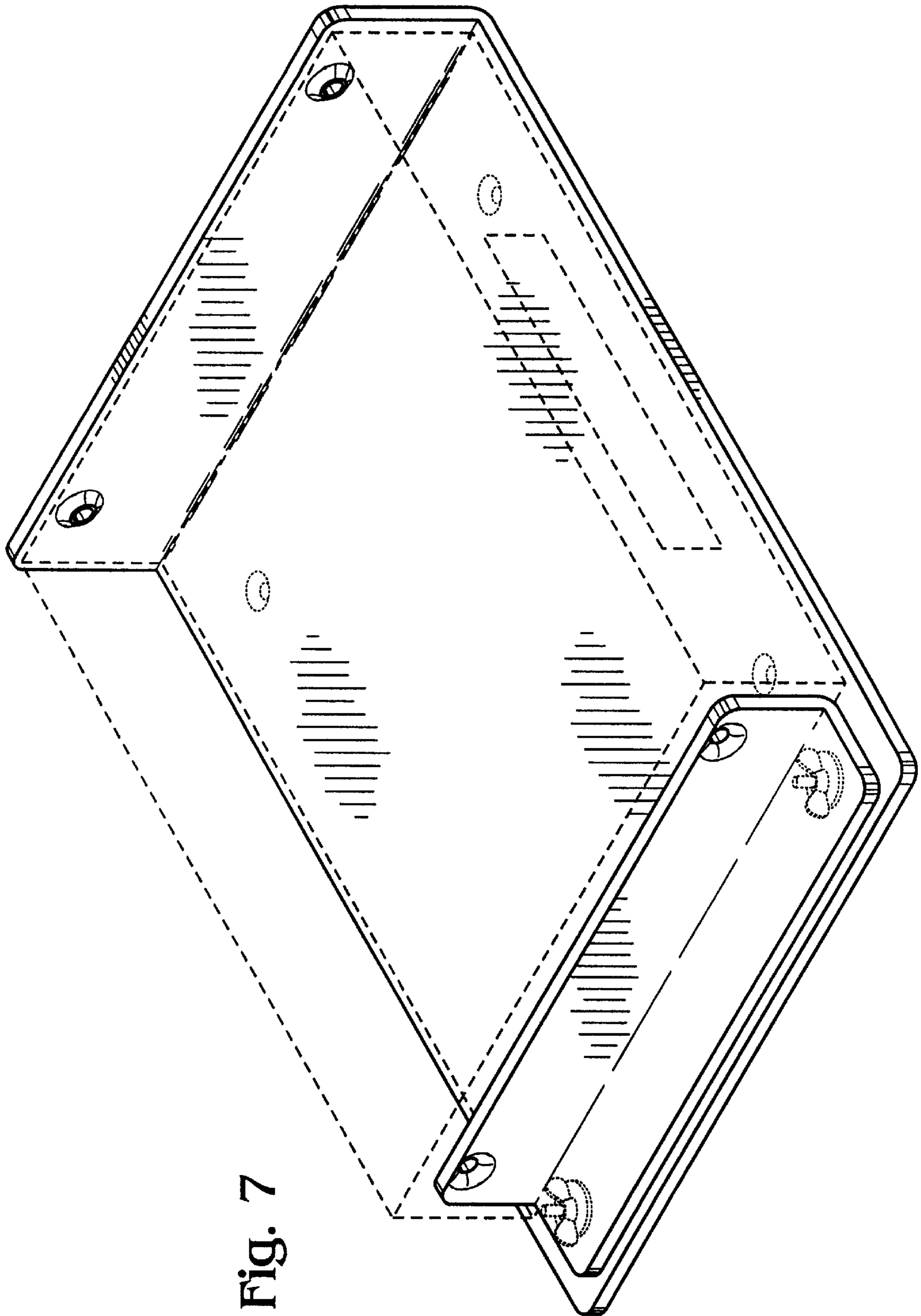


Fig. 7