



US00D425068S

United States Patent [19] Melin

[11] **Patent Number: Des. 425,068**

[45] **Date of Patent: ** May 16, 2000**

[54] **ANTENNA**

5,005,021 4/1991 Kato et al. 343/713
5,844,529 12/1998 Bell et al. 343/872

[75] Inventor: **Peter Melin**, Lindome, Sweden

[73] Assignee: **Telefonaktiebolaget LM Ericsson**,
Stockholm, Sweden

[**] Term: **14 Years**

Primary Examiner—Louis S. Zarfaz
Assistant Examiner—G Andoll
Attorney, Agent, or Firm—Burns, Doane, Swecker &
Mathis, L.L.P.

[21] Appl. No.: **29/106,409**

[57] **CLAIM**

[22] Filed: **Jun. 15, 1999**

The ornamental design for an antenna, as shown and described.

[30] **Foreign Application Priority Data**

DESCRIPTION

Dec. 15, 1998 [SE] Sweden 98-2447

[51] **LOC (7) Cl.** **14-03**

[52] **U.S. Cl.** **D14/230**

[58] **Field of Search** D14/230-238;
343/702, 901, 720, 713, 714, 795, 765,
840, 872, 878, 879; 455/90, 347, 128, 562;
D25/164

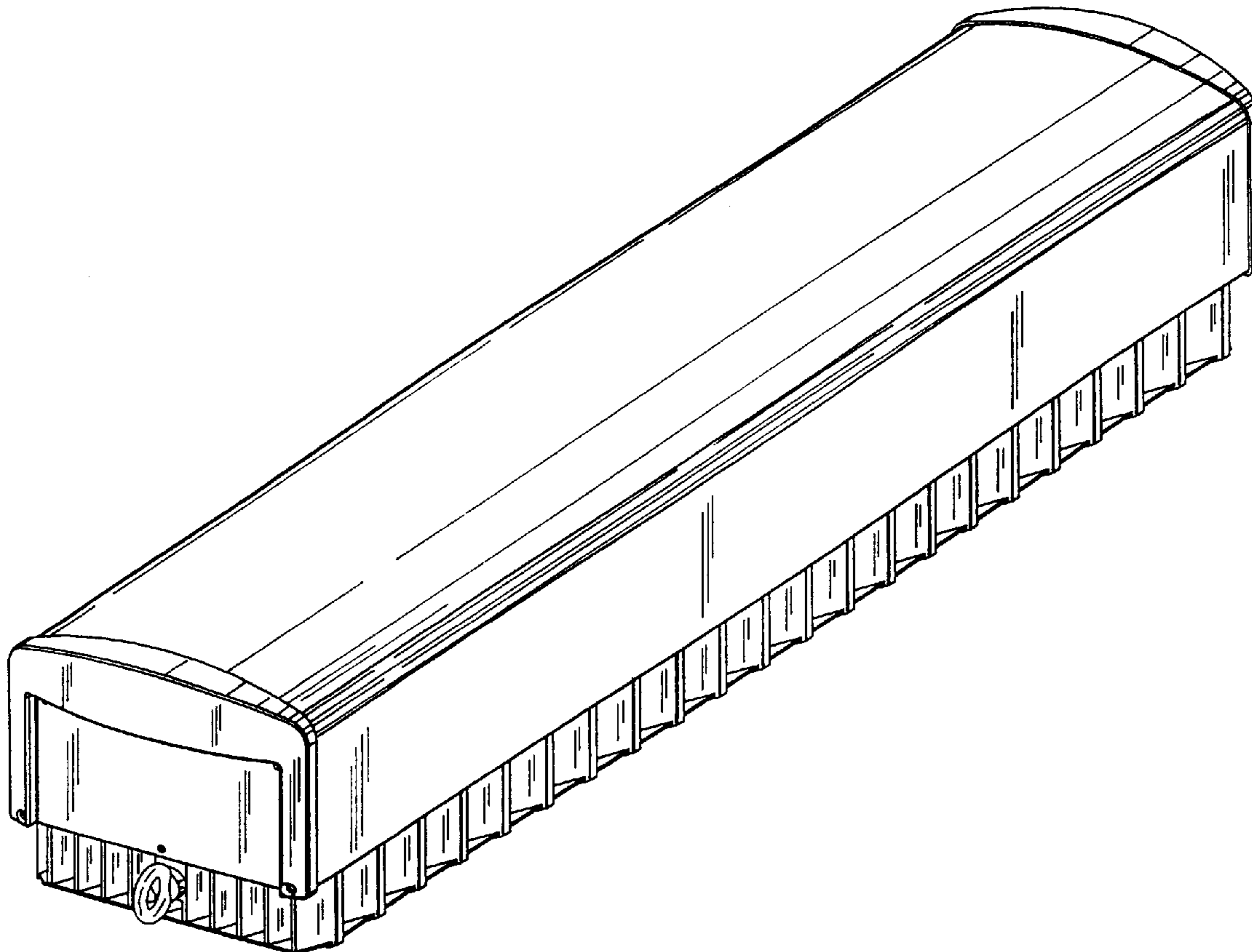
FIG. 1 is a top, front perspective view of an antenna showing my new design;
FIG. 2 is a front elevational view thereof;
FIG. 3 is a rear elevational view thereof;
FIG. 4 is a right side elevational view thereof;
FIG. 5 is a left side elevational view thereof;
FIG. 6 is a bottom plan view thereof; and,
FIG. 7 is a top plan view thereof.

[56] **References Cited**

U.S. PATENT DOCUMENTS

D. 375,573 11/1996 Andres D25/164

1 Claim, 3 Drawing Sheets



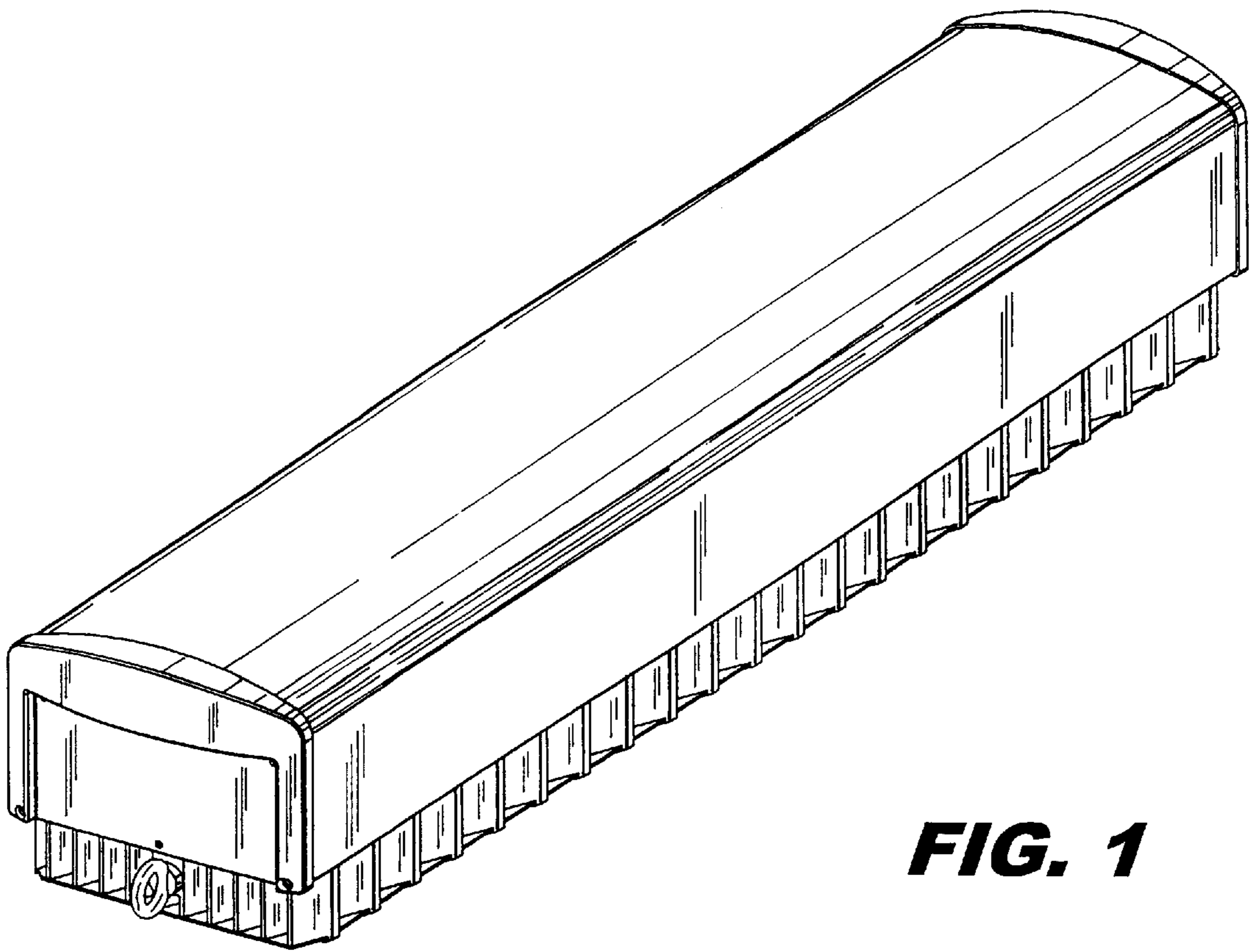


FIG. 1

FIG. 3

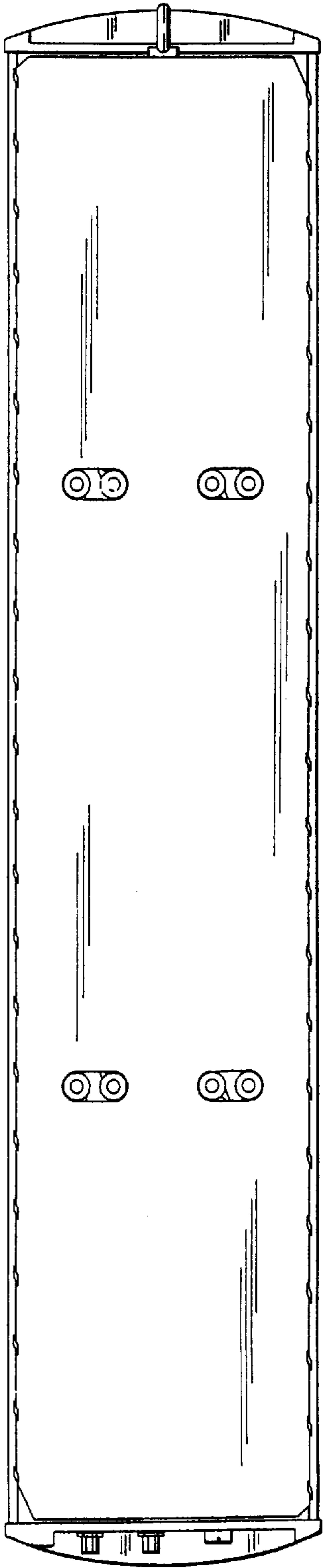


FIG. 4

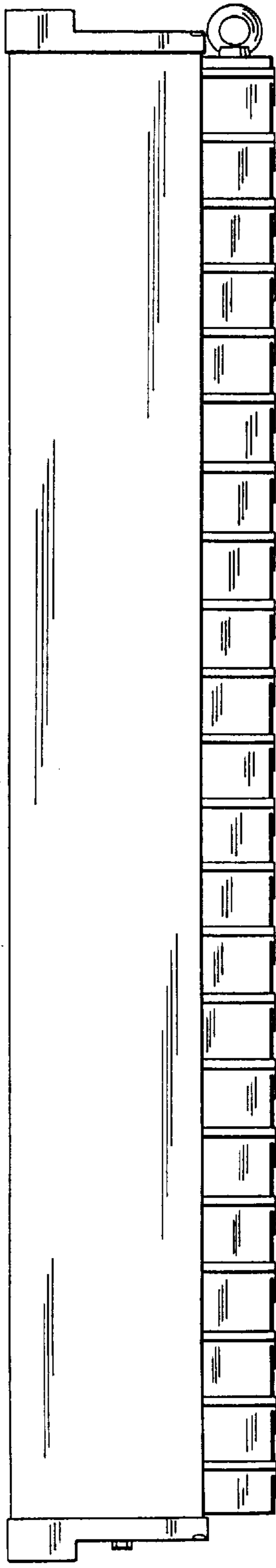


FIG. 2

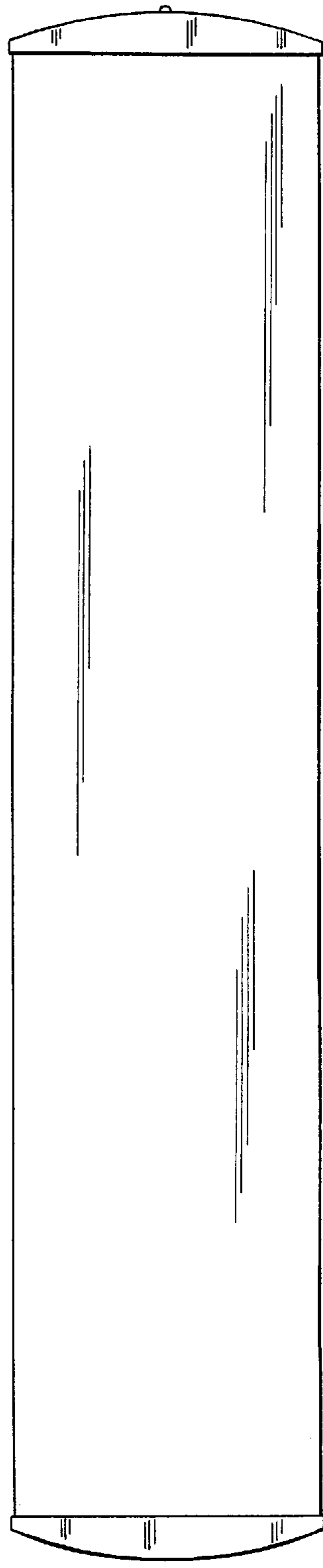


FIG. 5

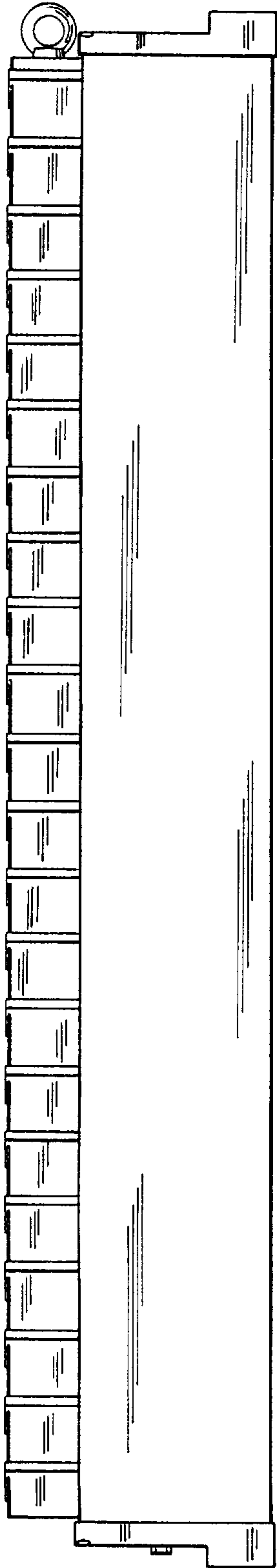


FIG. 6

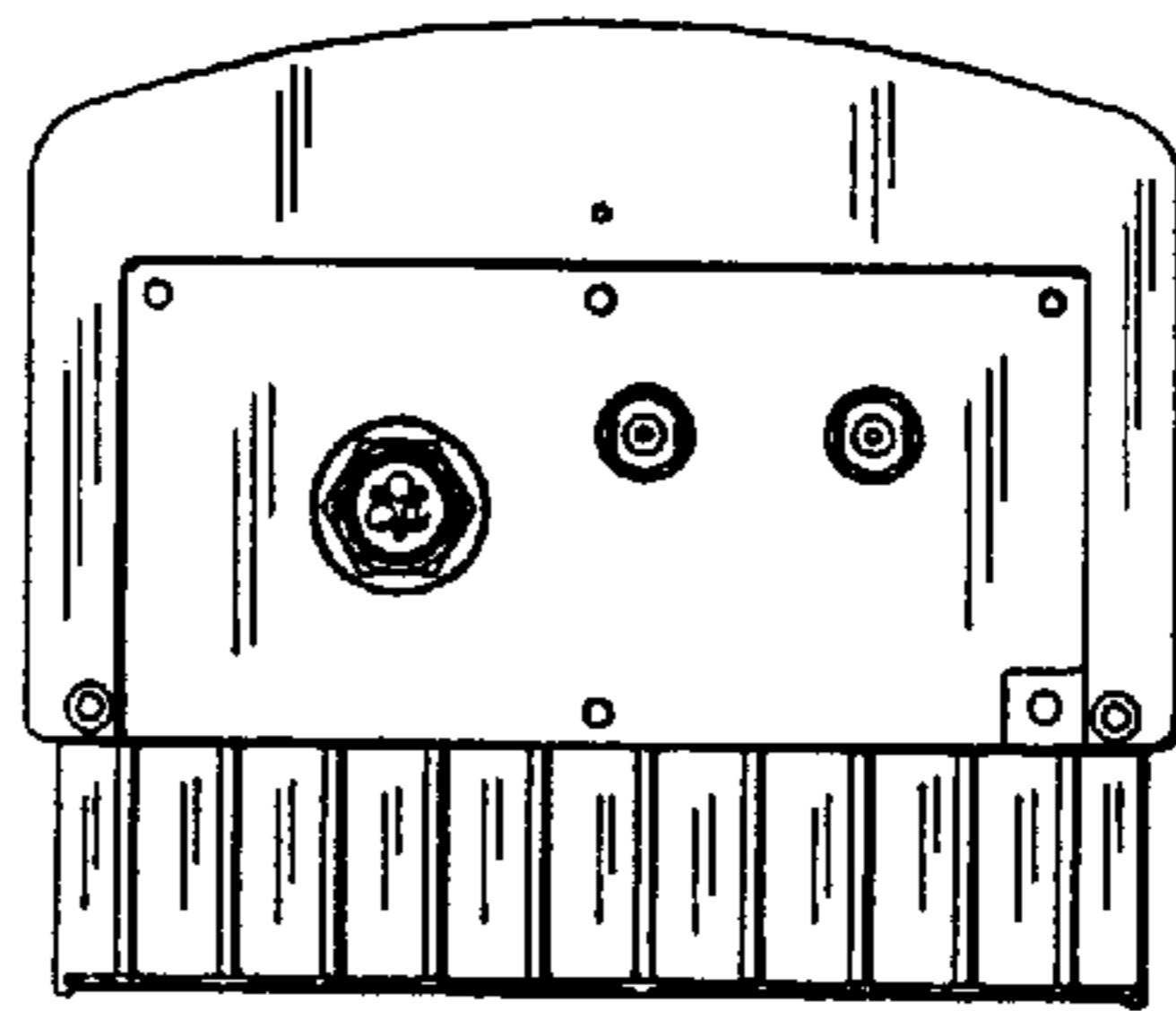


FIG. 7

