



US00D425067S

# United States Patent [19]

Nguyen et al.

[11] Patent Number: **Des. 425,067**

[45] Date of Patent: **\*\* May 16, 2000**

[54] **RADIO MESSAGING UNIT**

[75] Inventors: **Huy Phuong Nguyen**, Fort Worth;  
**Gregory Lane Henderson**, Watauga;  
**Bruce Wade Ross**, Fort Worth, all of  
Tex.

[73] Assignee: **Motorola, Inc.**, Schaumburg, Ill.

[\*\*] Term: **14 Years**

[21] Appl. No.: **29/100,738**

[22] Filed: **Feb. 17, 1999**

[51] **LOC (7) Cl.** ..... **14-03**

[52] **U.S. Cl.** ..... **D14/191**

[58] **Field of Search** ..... D14/124, 188,  
D14/191, 192, 299; 340/311.1; 455/38.1-38.4,  
90, 92, 100, 128, 344

[56] **References Cited**

**U.S. PATENT DOCUMENTS**

D. 377,018 12/1996 Suzuki et al. .... D14/191

D. 384,071 9/1997 Guthan, Jr. et al. .... D14/191  
D. 387,763 12/1997 Harrington et al. .... D14/191  
D. 389,149 1/1998 Actor et al. .... D14/191

*Primary Examiner*—Nanda Bondade  
*Attorney, Agent, or Firm*—R. Louis Breeden

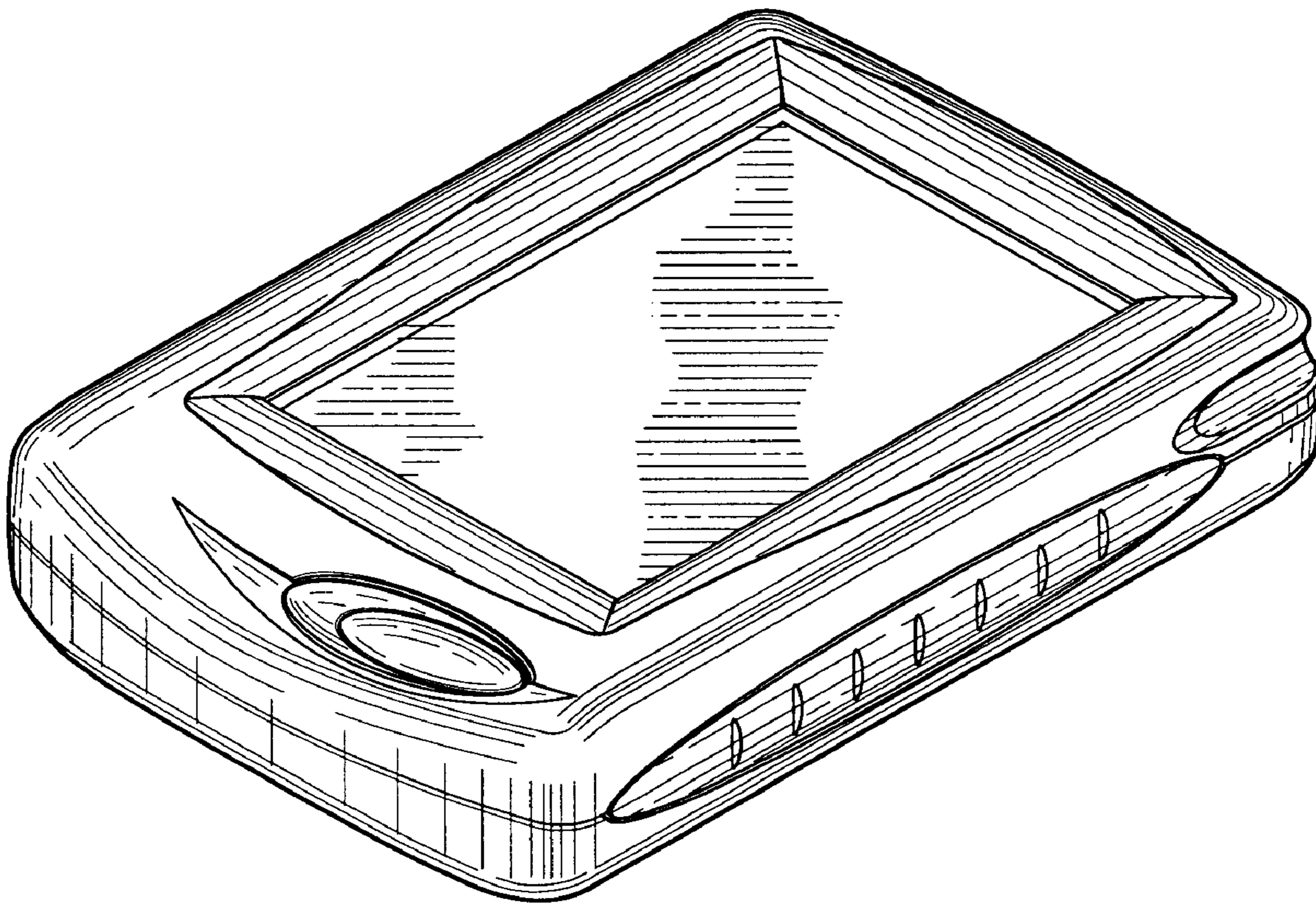
[57] **CLAIM**

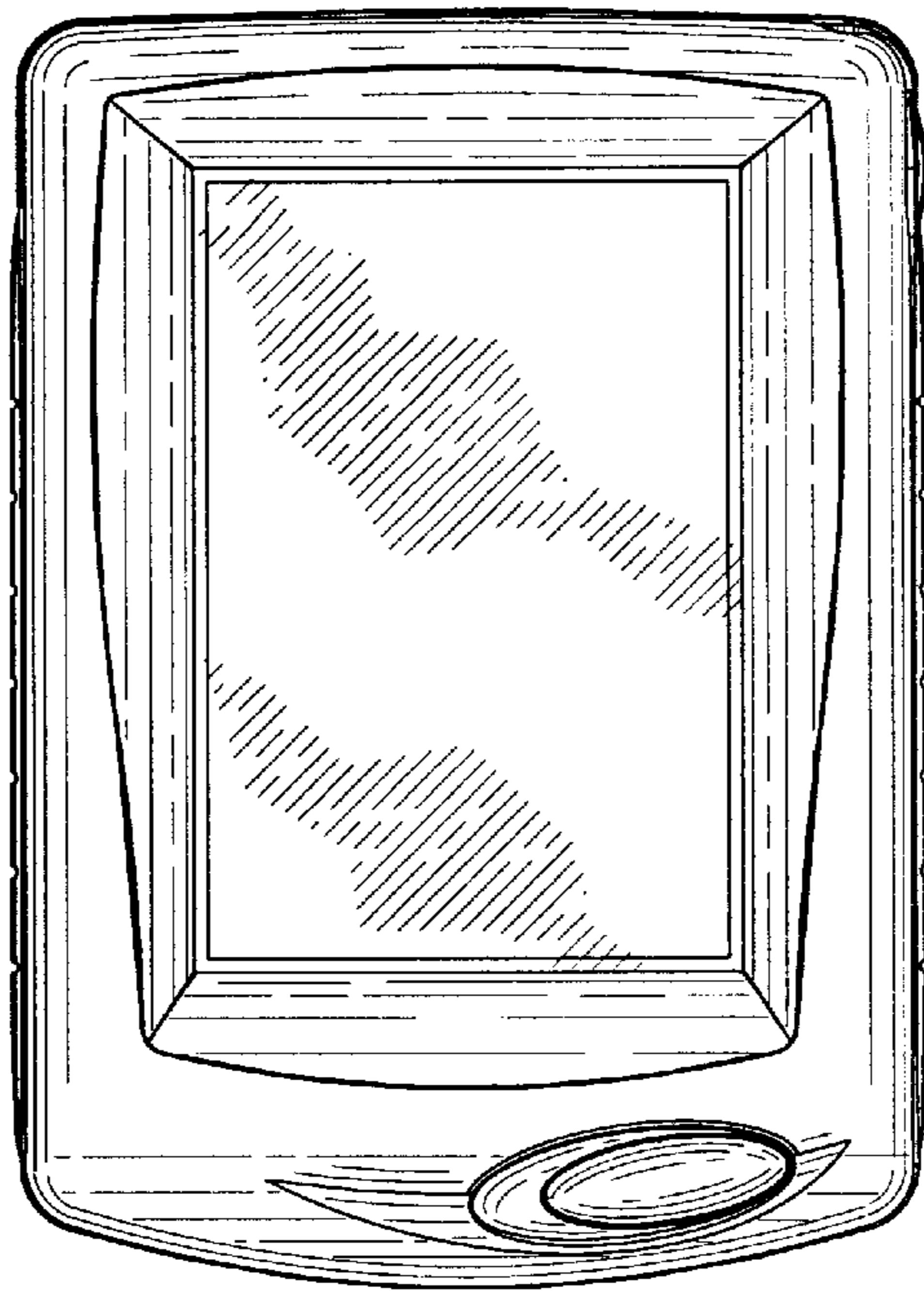
The ornamental design for a radio messaging unit, as shown and described.

**DESCRIPTION**

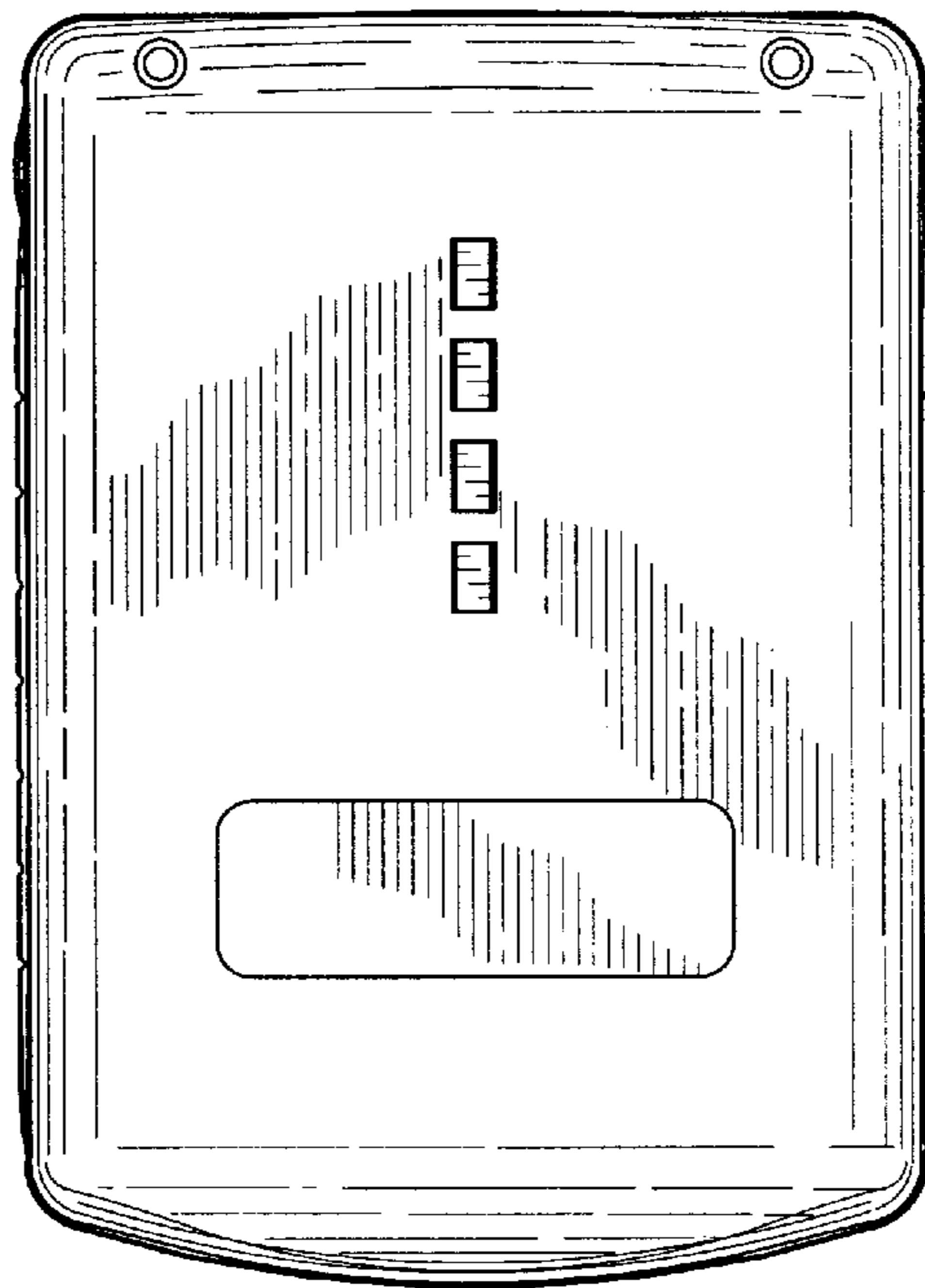
FIG. 1 is a front elevational view of a radio messaging unit showing our new design;  
FIG. 2 is a rear elevational view thereof;  
FIG. 3 is a top plan view thereof;  
FIG. 4 is a bottom plan view thereof;  
FIG. 5 is a right side elevational view thereof;  
FIG. 6 is a left side elevational view thereof; and,  
FIG. 7 is a bottom, front, and right side perspective view thereof.

**1 Claim, 4 Drawing Sheets**

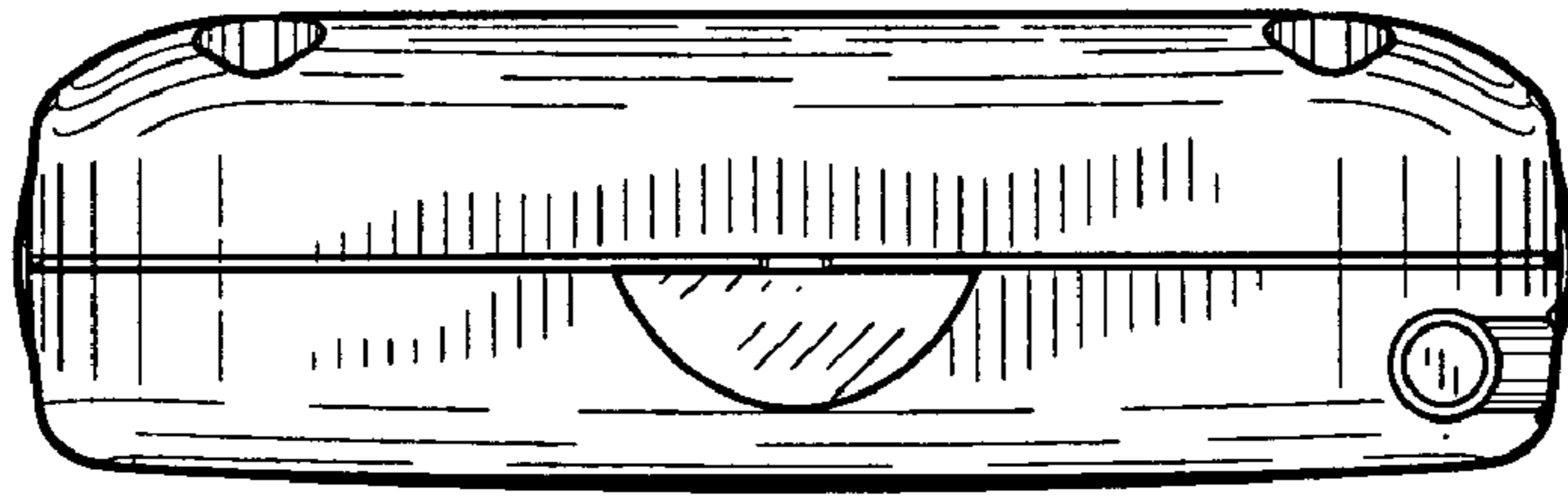




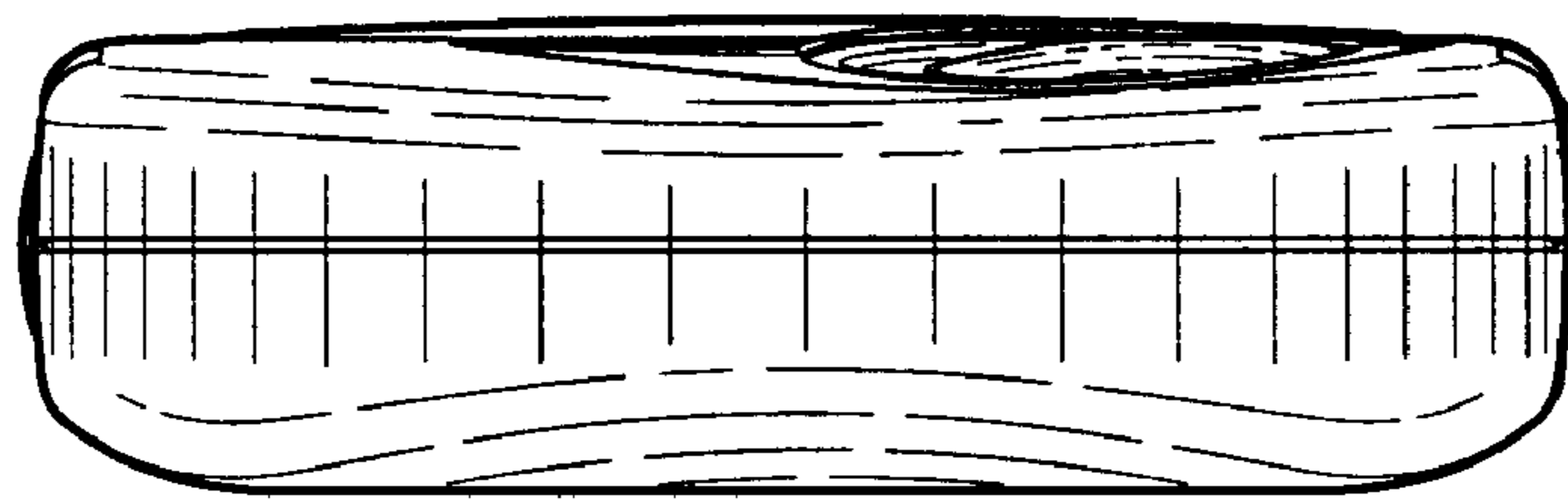
*FIG. 1*



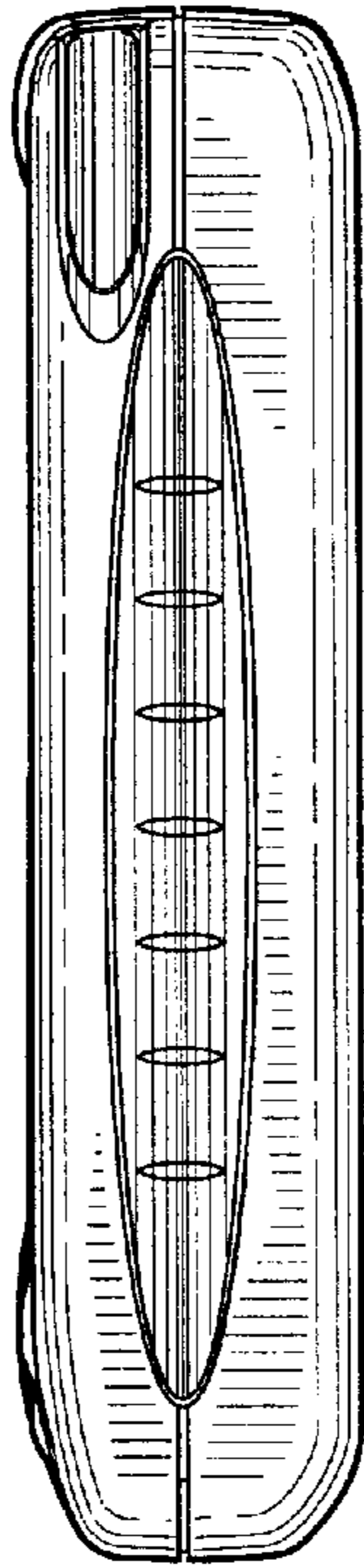
*FIG. 2*



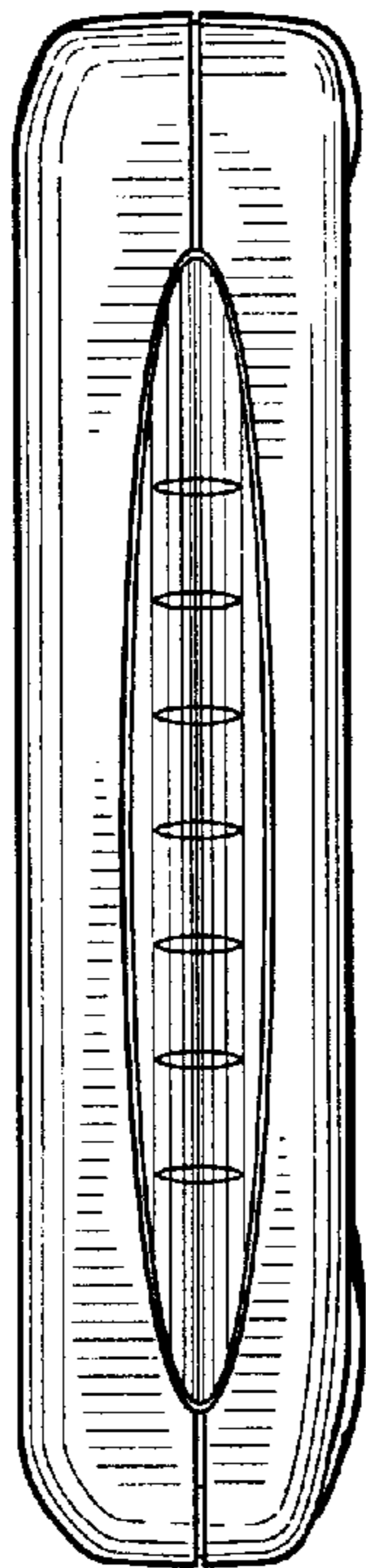
*FIG. 3*



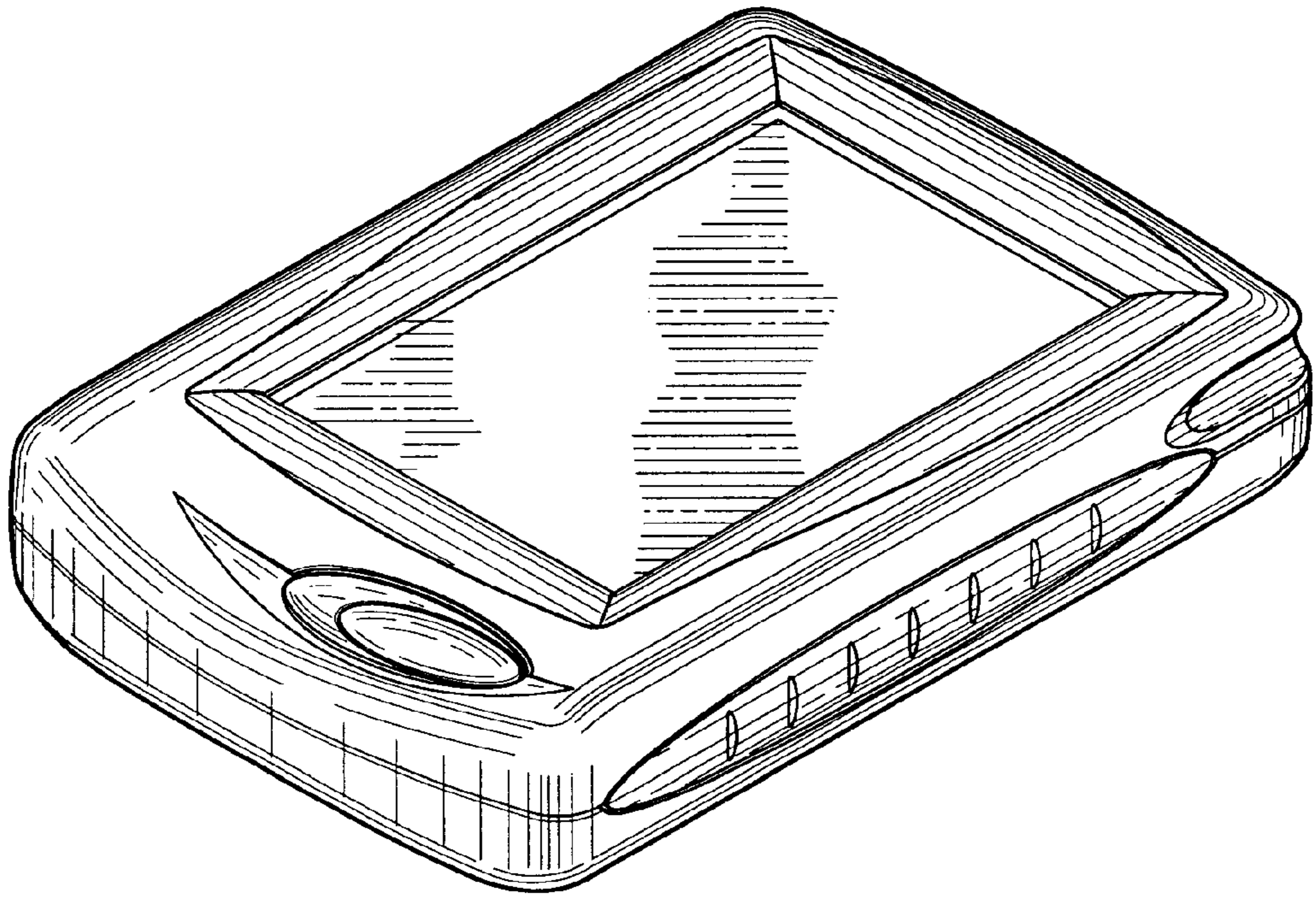
*FIG. 4*



*FIG. 5*



*FIG. 6*



*FIG. 7*