



US00D425064S

United States Patent [19] Myers

[11] Patent Number: Des. 425,064

[45] Date of Patent: ** *May 16, 2000

[54] **AUDIO AMPLIFIER HAVING A SEE-THROUGH COVER, A COVER-MOUNTED LCD/LED GRAPHICAL DISPLAY AND REMOTE CONTROL**

D. 343,394 1/1994 Kakizaki D14/188
D. 349,119 7/1994 Eberle et al. D14/188 X
D. 355,654 2/1995 Koulopoulos D14/188
D. 379,174 5/1997 Kornblum D14/188 X

[76] Inventor: **Elyas Myers**, 4480 Pacific Blvd.,
Vernon, Calif. 90058

Primary Examiner—Nanda Bondade
Attorney, Agent, or Firm—Beehler & Pavitt; William J. Pavitt; David A. Belasco

[*] Notice: This patent is subject to a terminal disclaimer.

[57] CLAIM

[**] Term: **14 Years**

The ornamental design for an audio amplifier having a see-through cover, a cover-mounted LCD/LED graphical display and remote control, as shown and described.

[21] Appl. No.: **29/103,812**

DESCRIPTION

[22] Filed: **Apr. 22, 1999**

[51] **LOC (7) Cl.** **14-03**

[52] **U.S. Cl.** **D14/188; D14/218**

[58] **Field of Search** D13/179, 184;
D14/124, 168, 188, 189, 197-198, 217,
218, 265, 299; 455/344, 345, 347, 350,
351

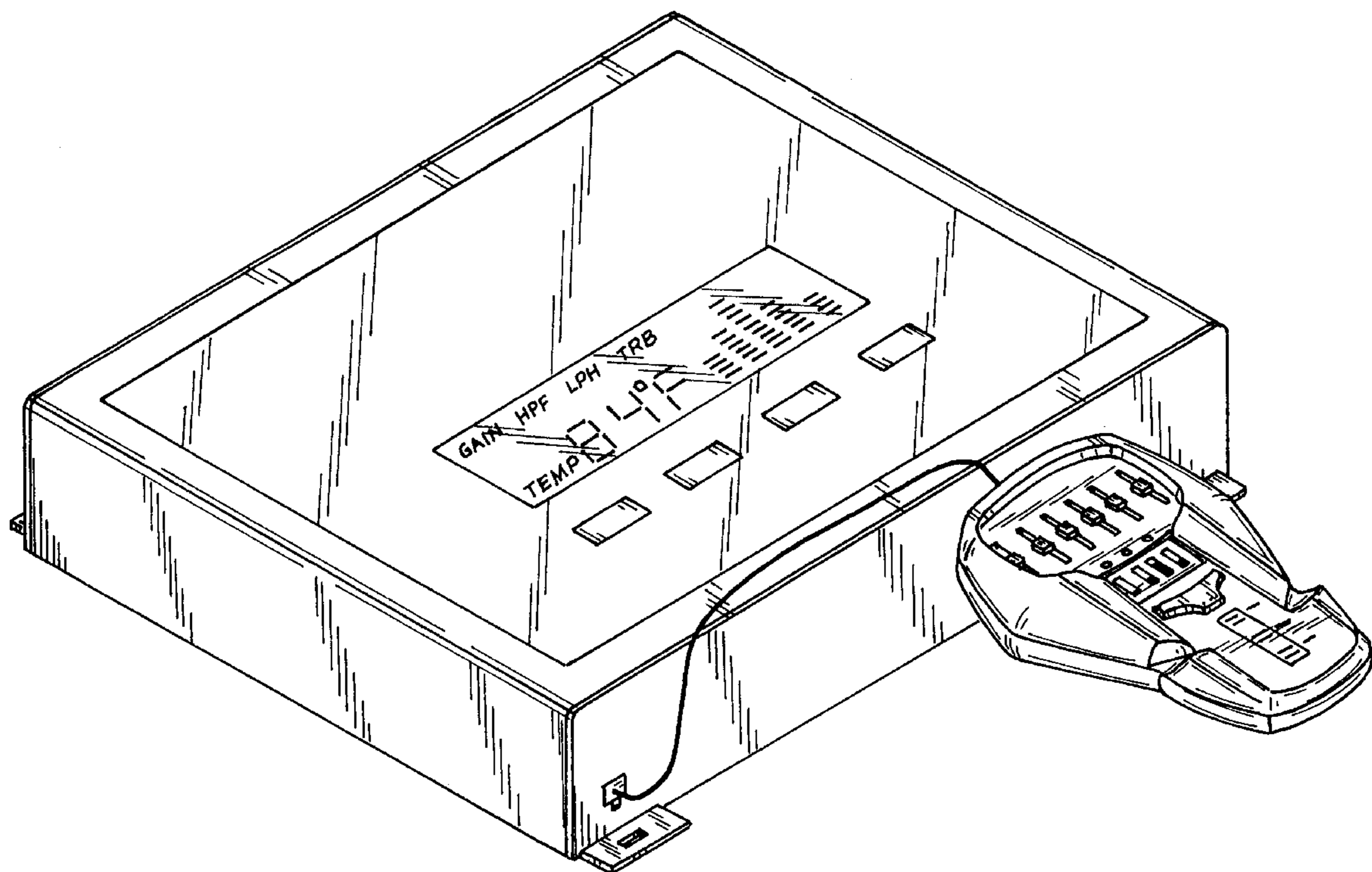
FIG. 1 is a perspective view of an audio amplifier having a see-through cover, a cover-mounted LDC/LED graphical display and remote control showing my new design; FIG. 2 is an enlarged top plan view of the remote control, shown separately for clarity of illustration; FIG. 3 is a top plan view of FIG. 1; FIG. 4 is a front elevation view thereof; FIG. 5 is a left side elevation view thereof; FIG. 6 is a right side elevation view thereof; FIG. 7 is a bottom plan view thereof; and, FIG. 8 is a rear elevation view thereof.

[56] References Cited

U.S. PATENT DOCUMENTS

D. 185,741 7/1959 De Jager D14/218
D. 259,722 6/1981 Fuller et al. D14/197

1 Claim, 5 Drawing Sheets



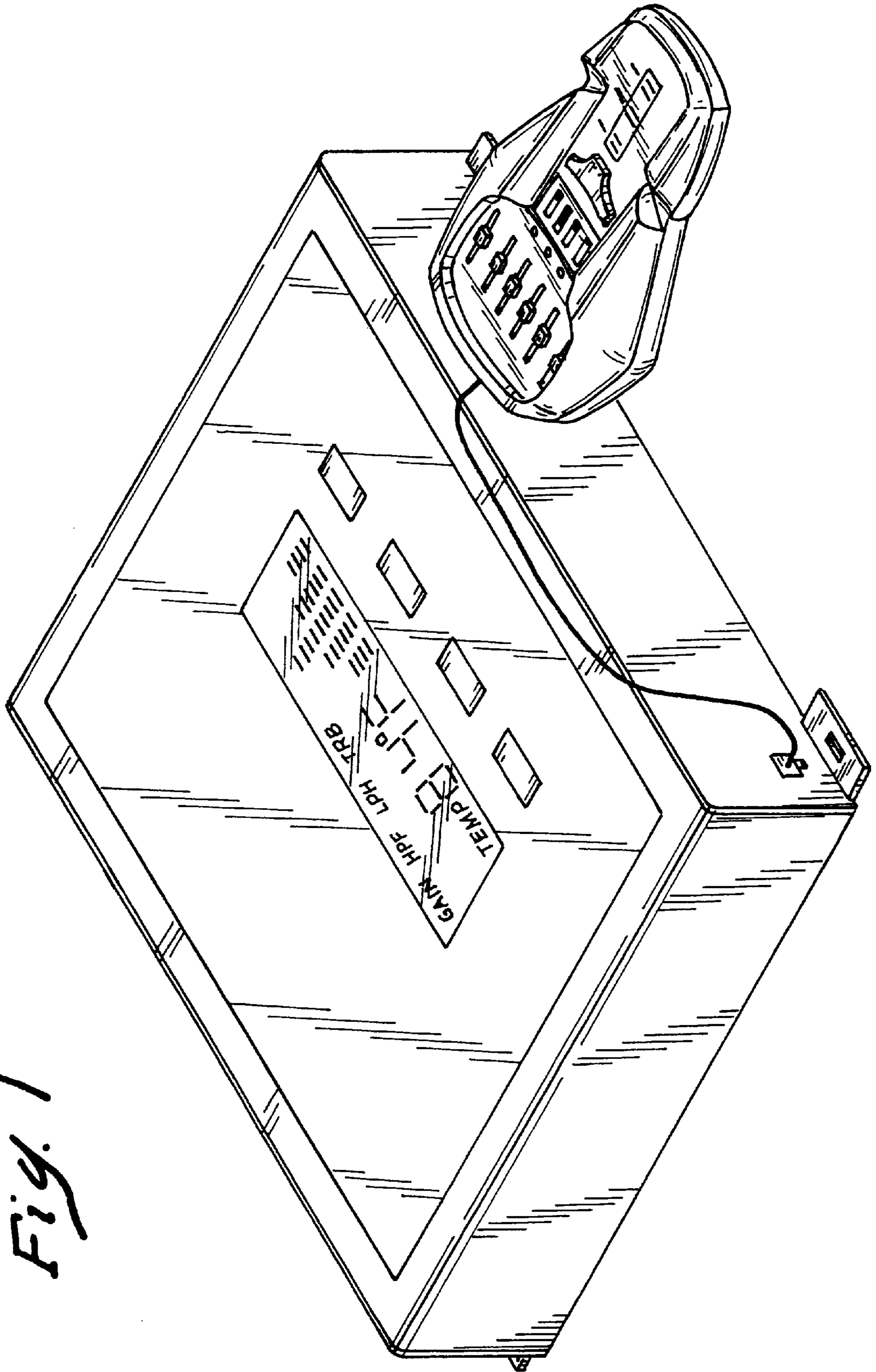


Fig. 1

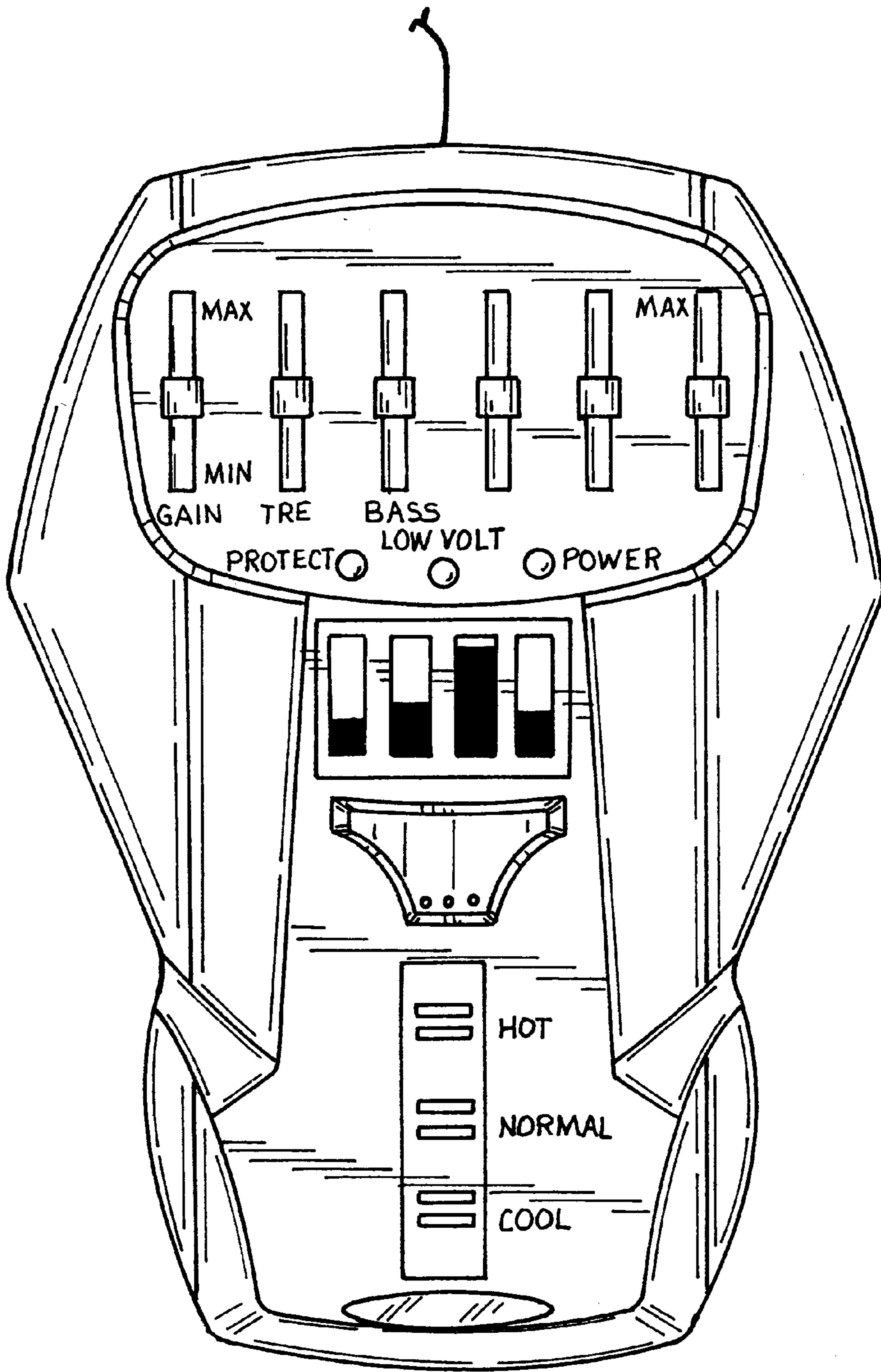


Fig. 2

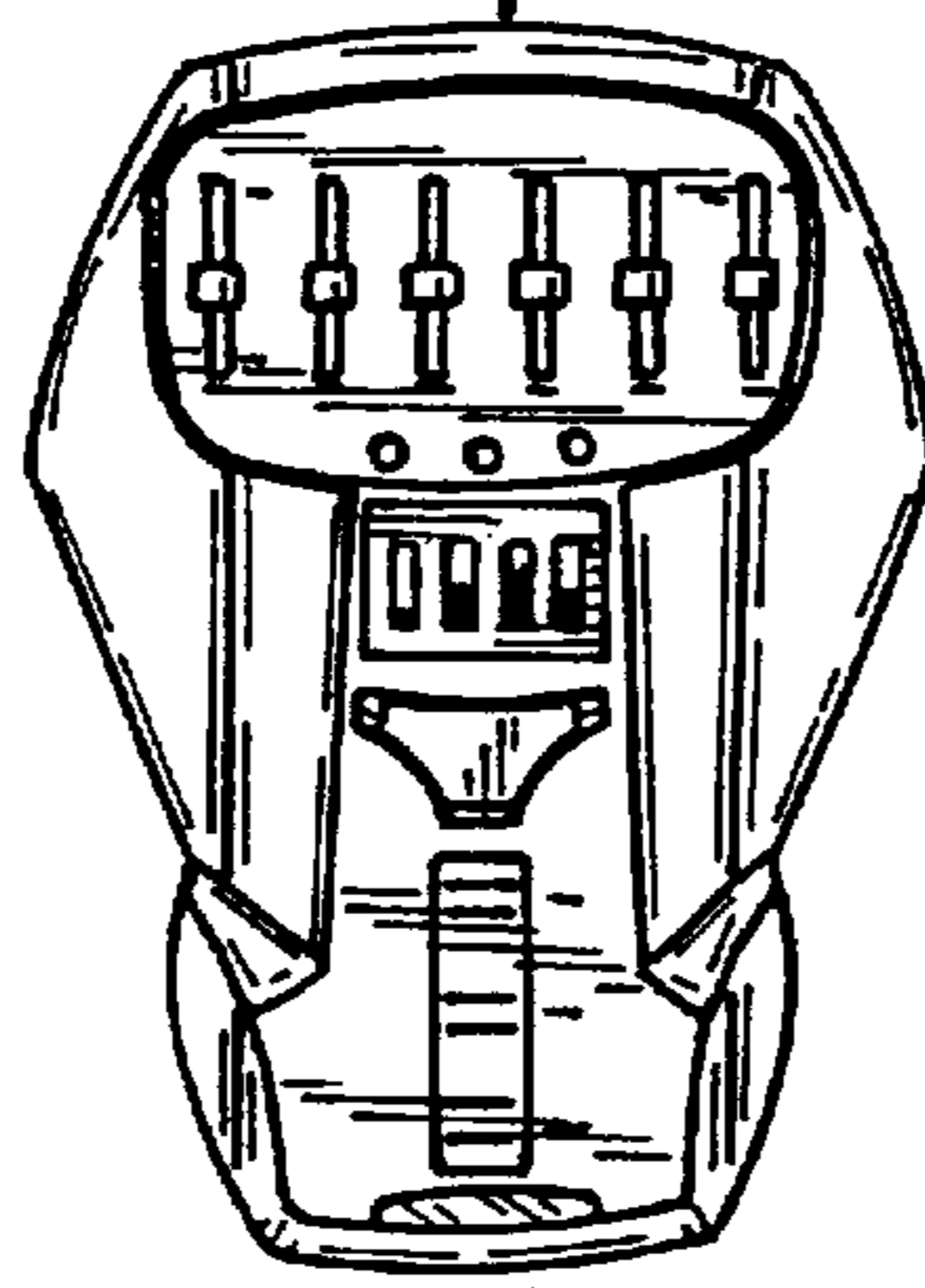
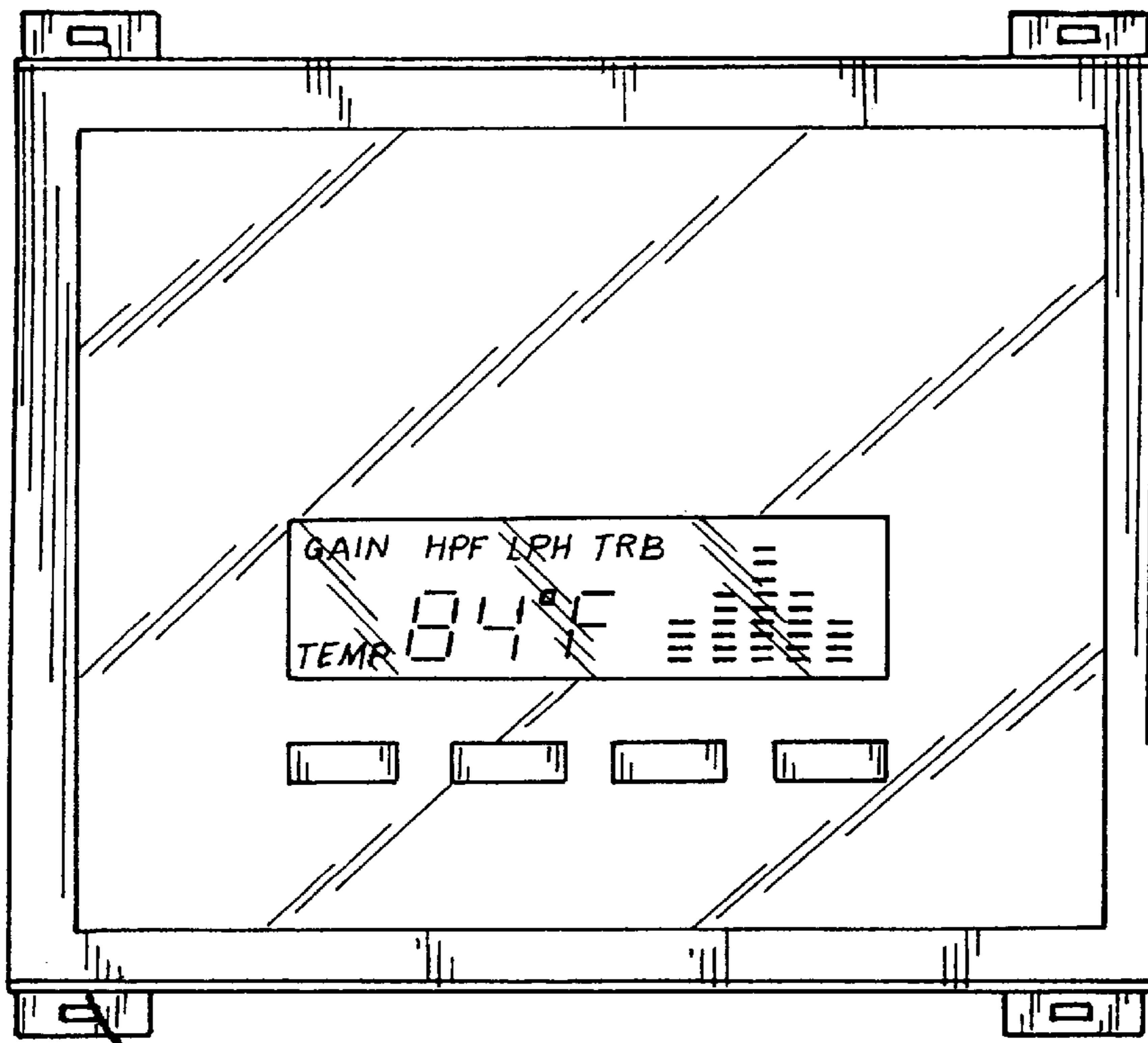


Fig. 3

Fig. 4

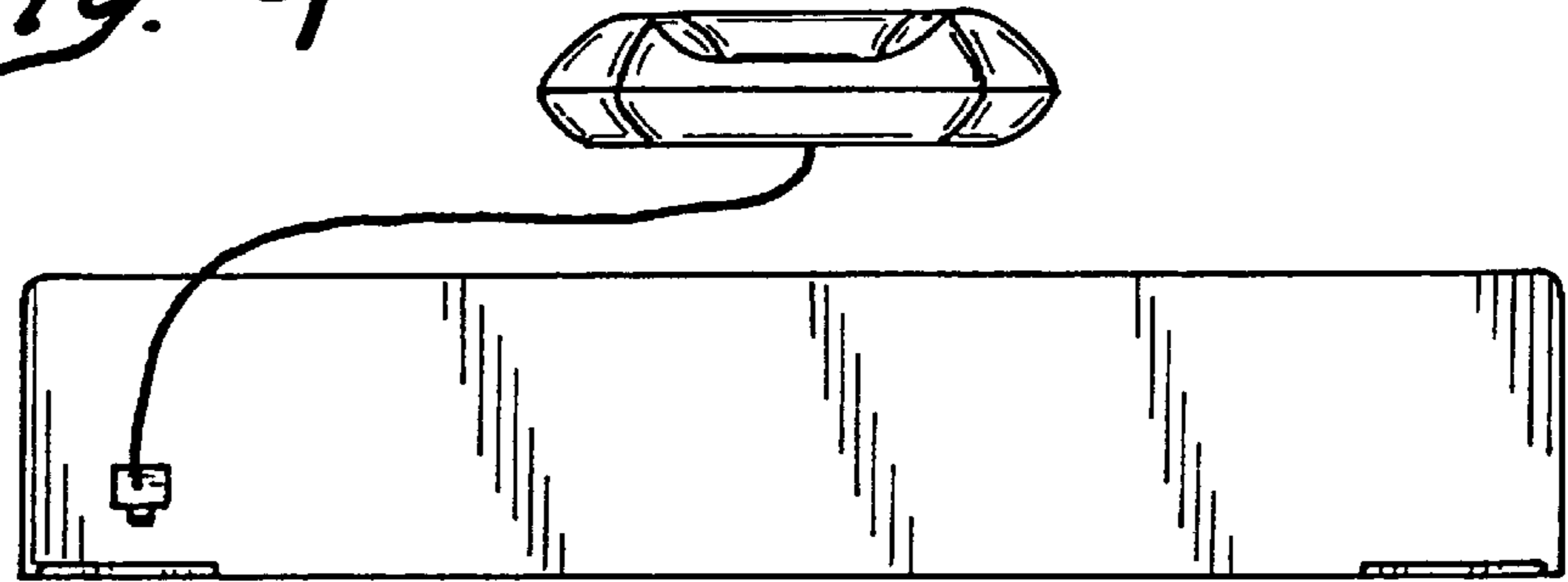


Fig. 5

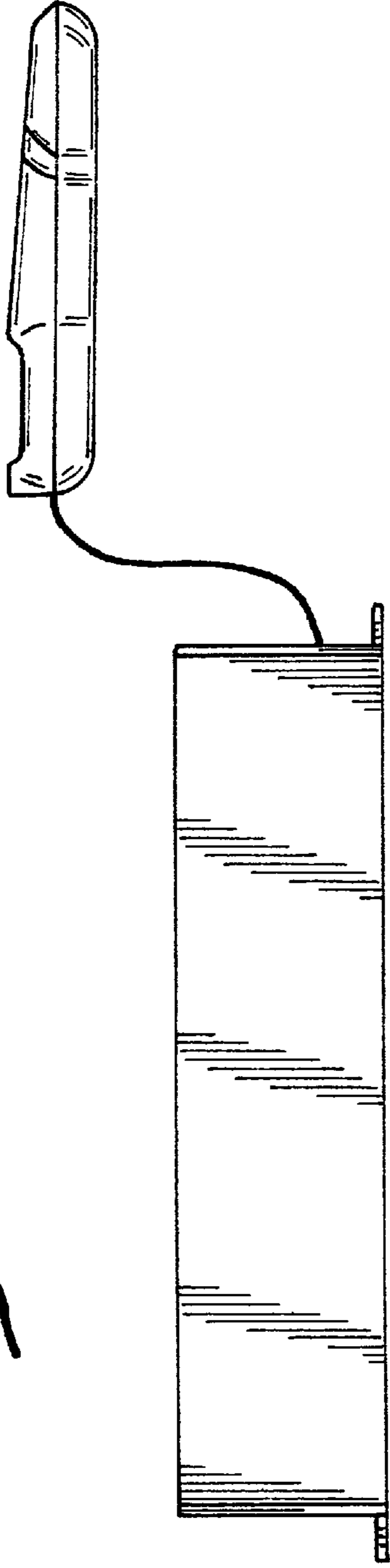
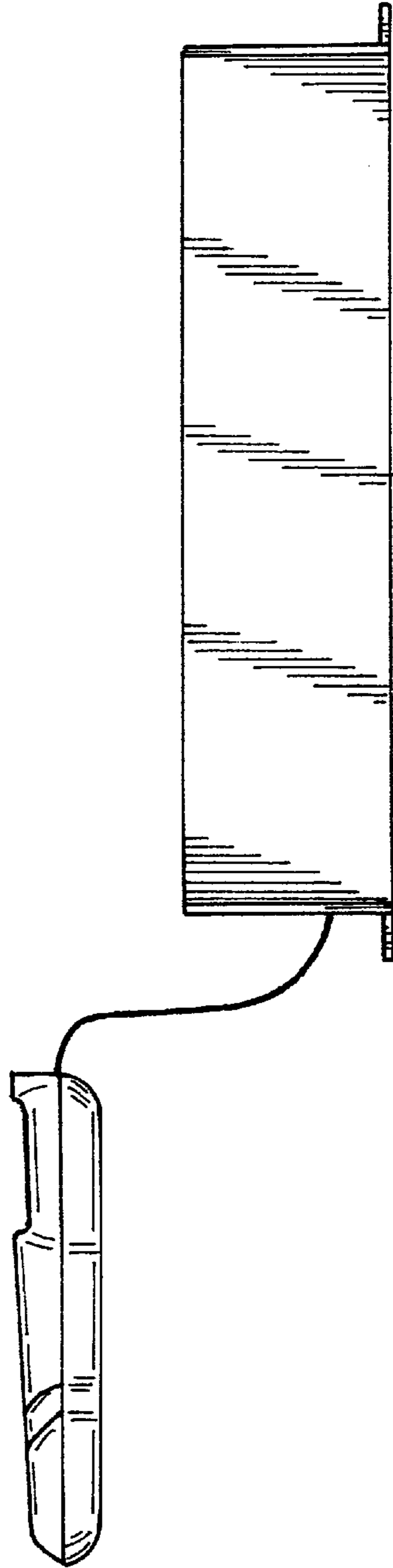


Fig. 6



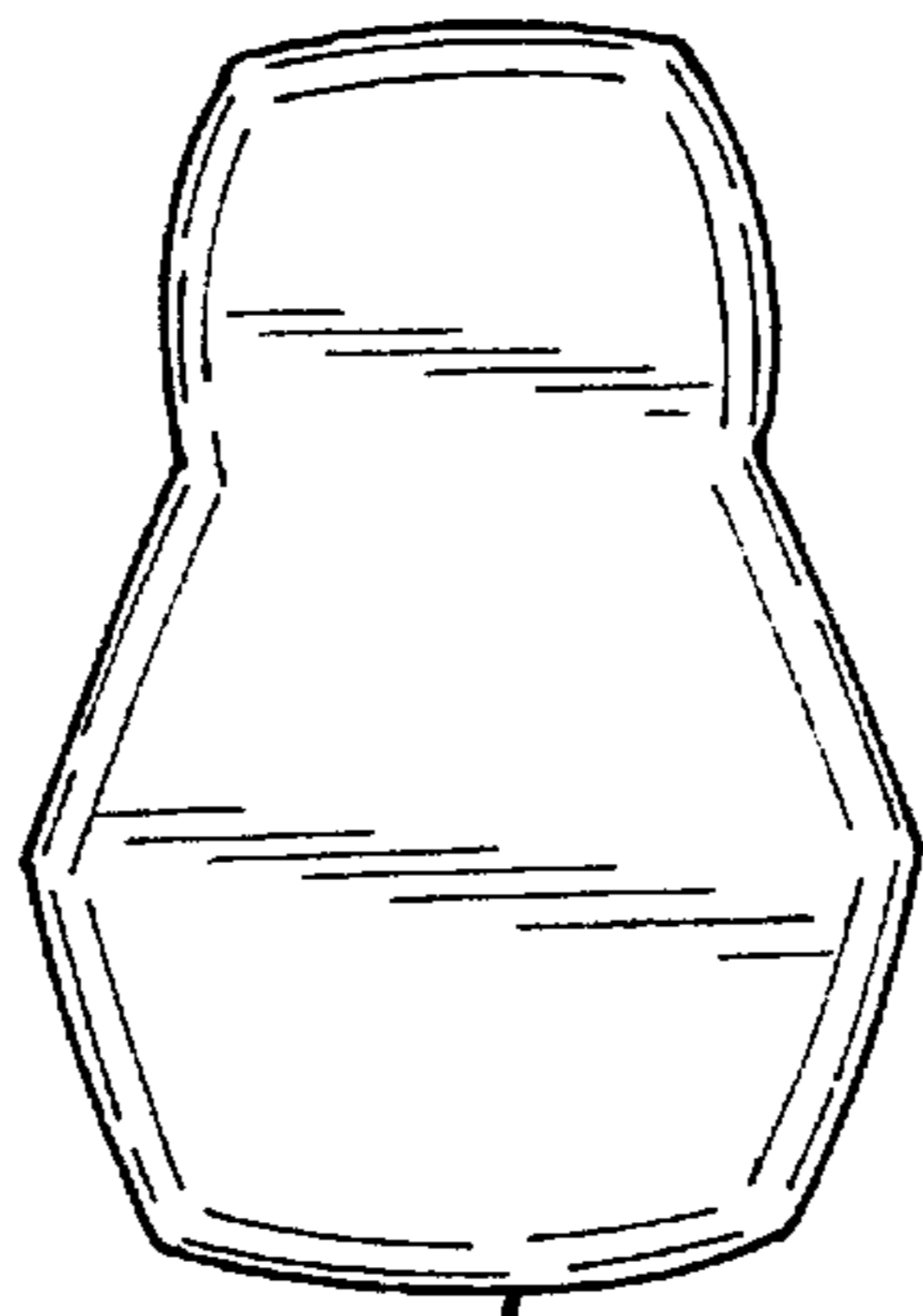


Fig. 7

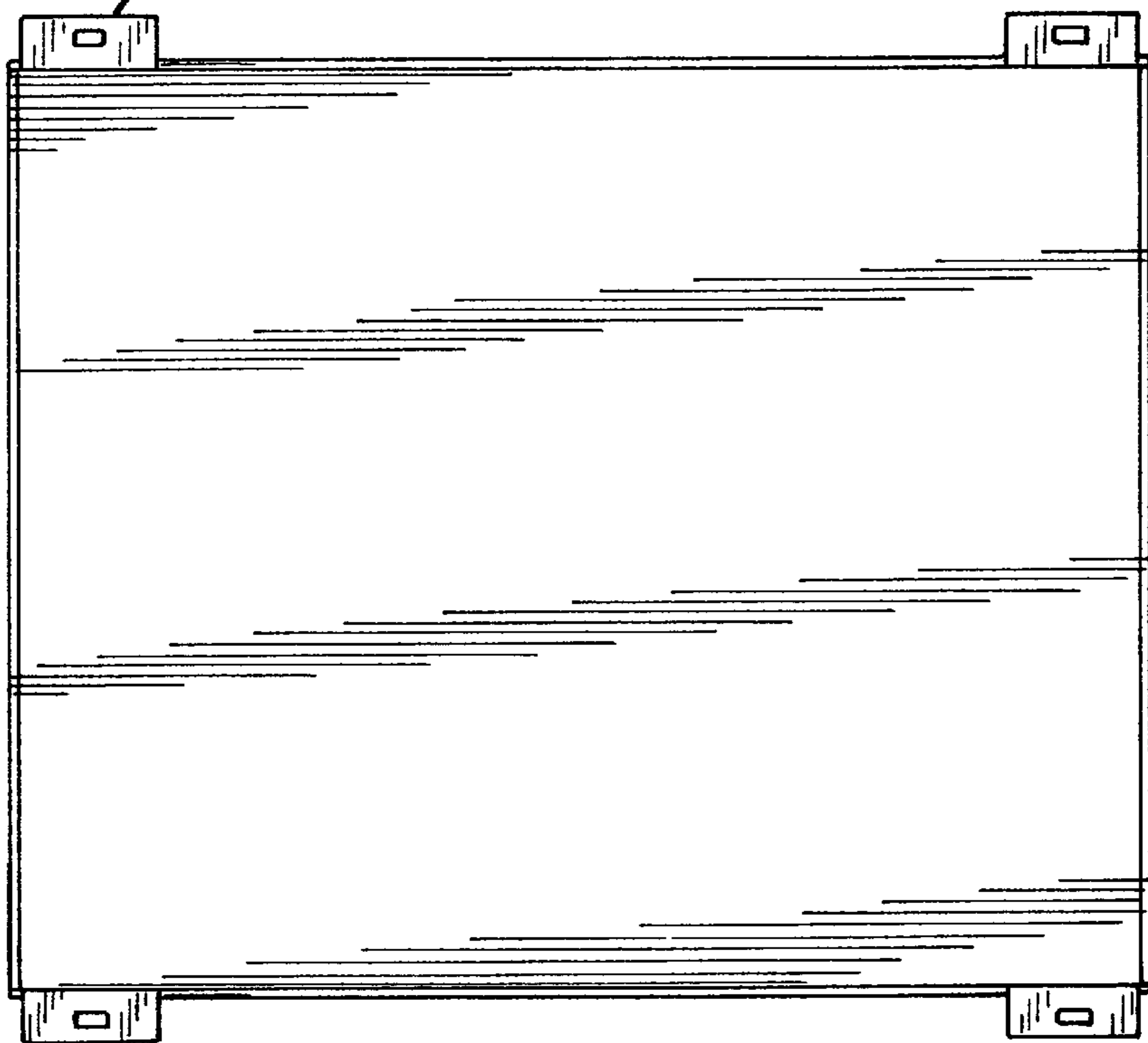


Fig. 8

