



US00D425063S

United States Patent [19]

Takatsuka

[11] Patent Number: Des. 425,063

[45] Date of Patent: ** May 16, 2000

[54] LANTERN COMBINED WITH RADIO AND TAPE PLAYER

[75] Inventor: Tatsuya Takatsuka, Yoshida-machi, Japan

[73] Assignee: Twinbird Corporation, Japan

[**] Term: 14 Years

[21] Appl. No.: 29/099,727

[22] Filed: Jan. 26, 1999

[30] Foreign Application Priority Data

Jul. 30, 1998 [JP] Japan 10-22097

[51] LOC (7) Cl. 14-01

[52] U.S. Cl. D14/168; D26/38

[58] Field of Search D14/160-168, D14/188, 189, 192-198; D26/37-50; 362/157, 158; 455/344, 347, 350, 351

[56] References Cited

U.S. PATENT DOCUMENTS

D. 354,054 1/1995 Shitama D14/168 X

D. 376,022 11/1996 Yuen D26/38
D. 383,753 9/1997 Yuen D14/168
D. 395,721 6/1998 Wan D14/168 X

Primary Examiner—Nanda Bondade
Attorney, Agent, or Firm—Quarles & Brady LLP

[57] CLAIM

The ornamental design for a lantern combined with radio and tape player, as shown and described.

DESCRIPTION

FIG. 1 is a perspective view from above of a lantern combined with radio and tape player, showing my new design;
FIG. 2 is an enlarged front elevation view thereof;
FIG. 3 is a left-side elevation view thereof;
FIG. 4 is a right-side elevational view thereof;
FIG. 5 is a rear elevational view thereof;
FIG. 6 is a top plan view thereof;
FIG. 7 is a bottom plan view thereof; and,
FIG. 8 is another front elevational view thereof, shown in an alternate position and on its side.

1 Claim, 4 Drawing Sheets

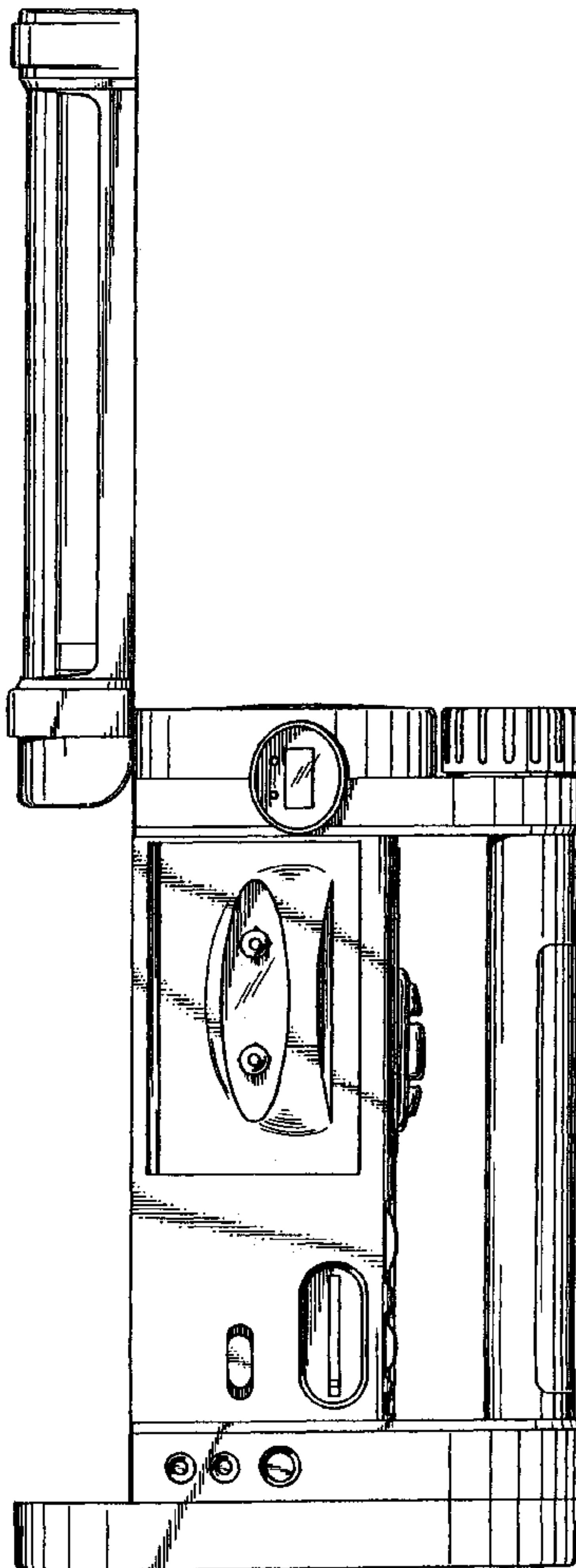
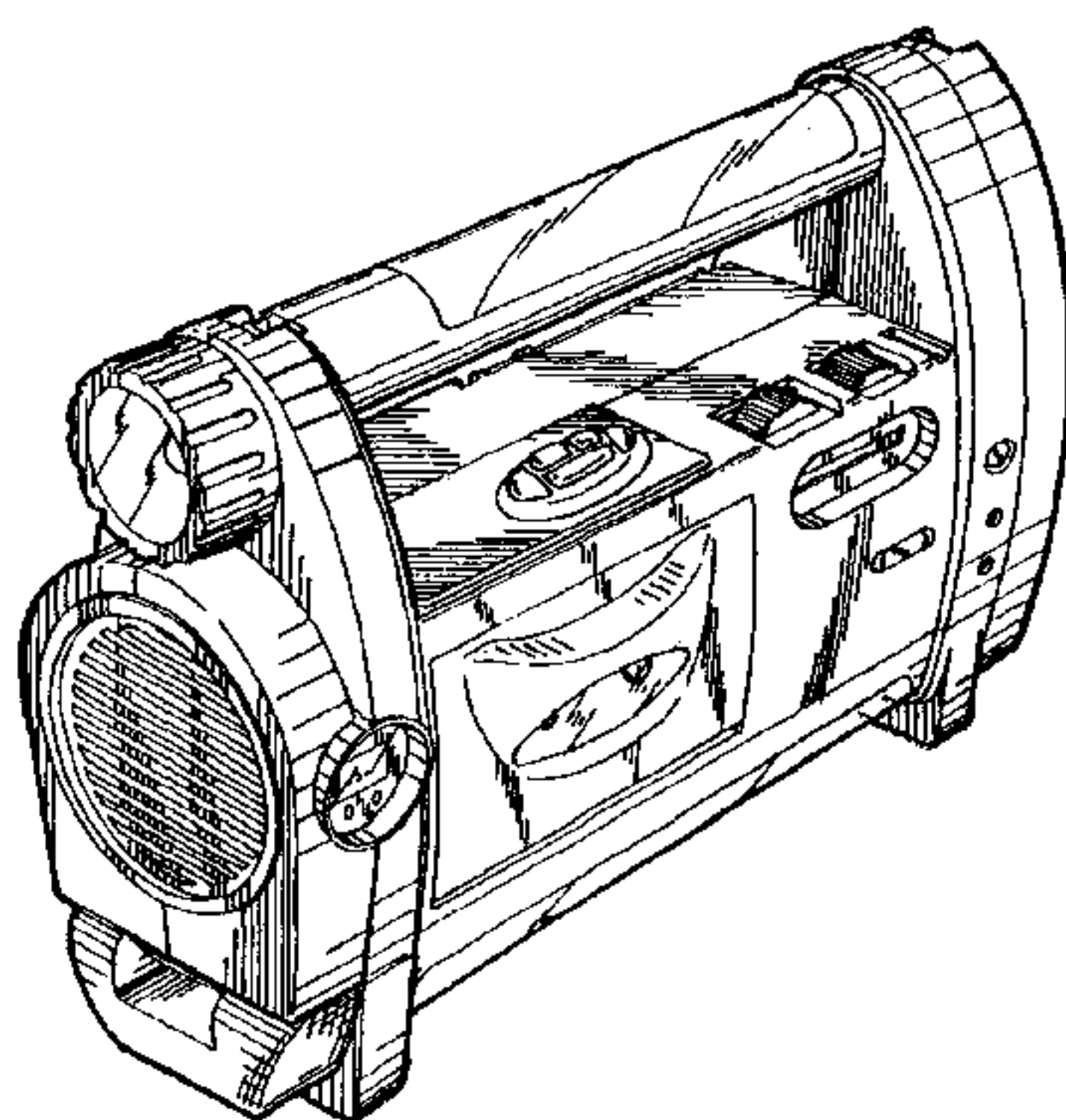


FIG. 1

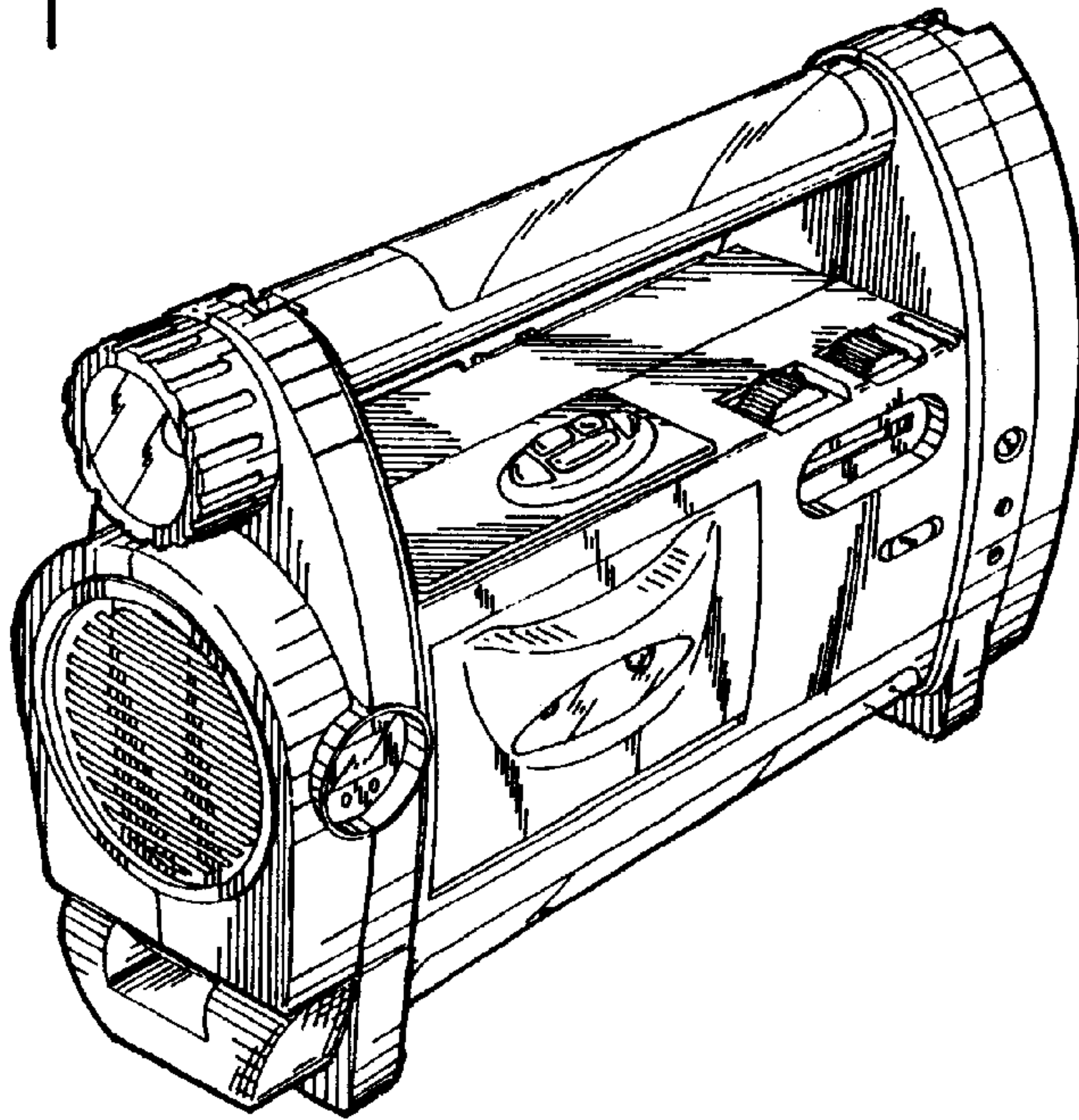


FIG. 2

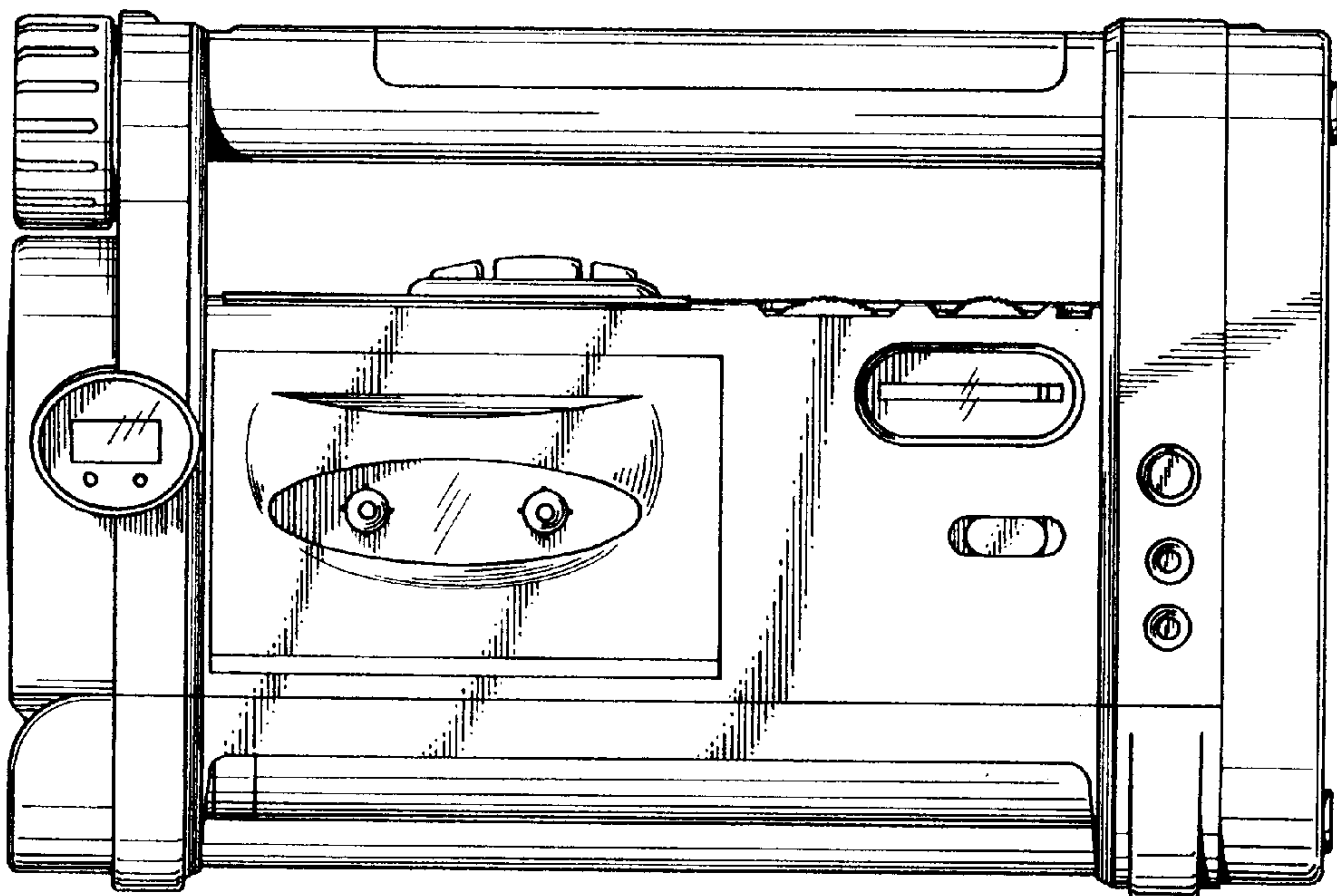


FIG. 3

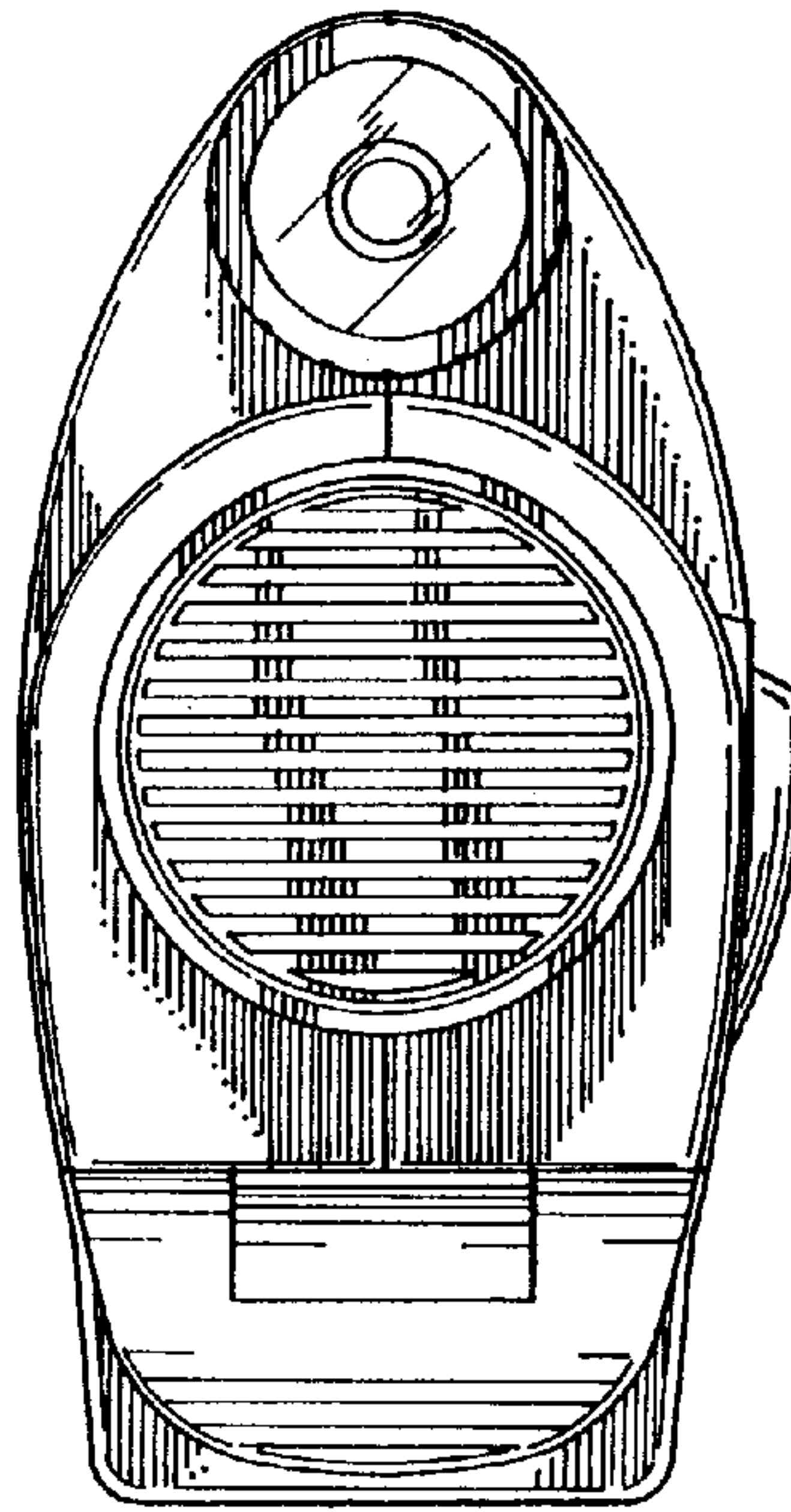


FIG. 4

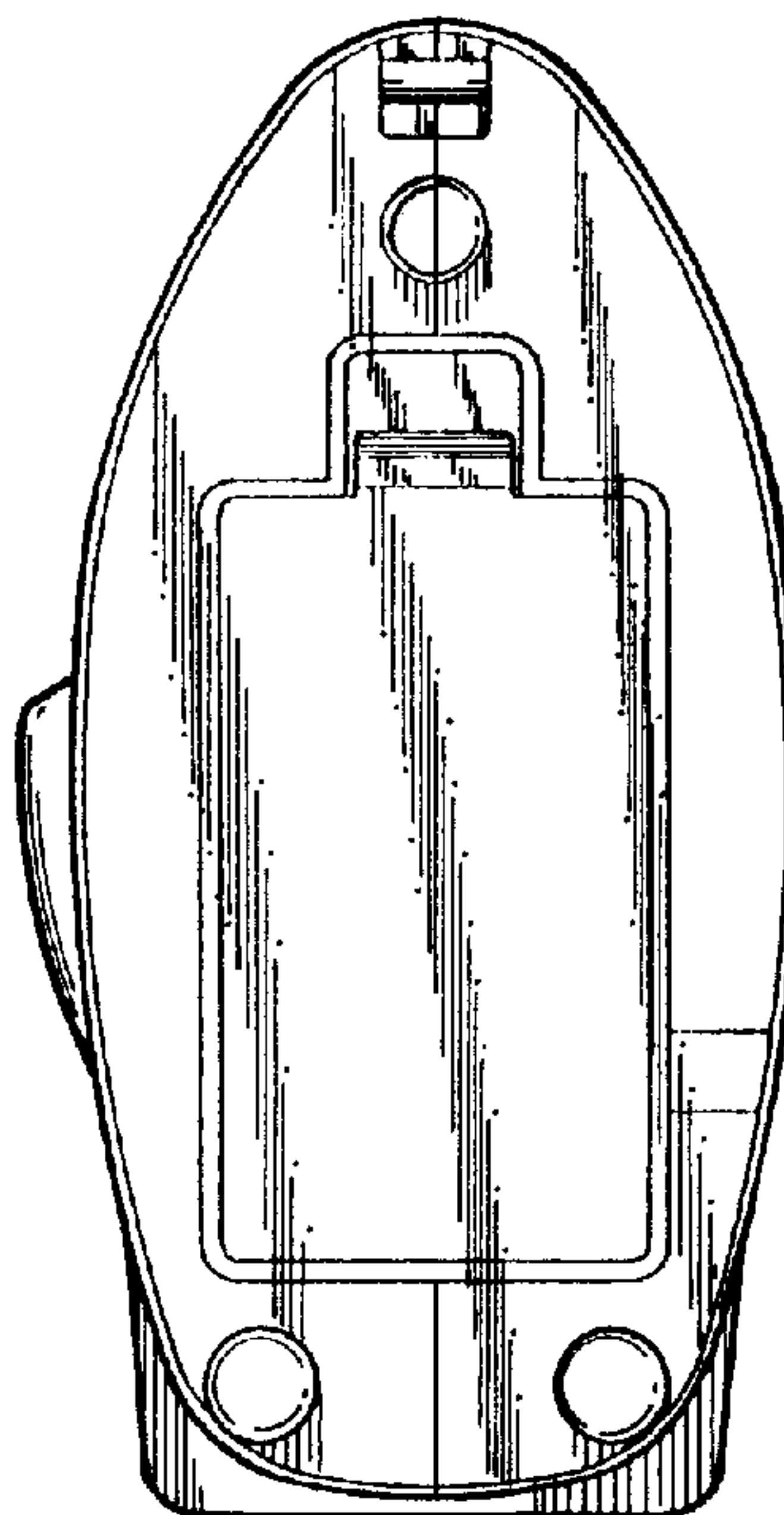


FIG. 5

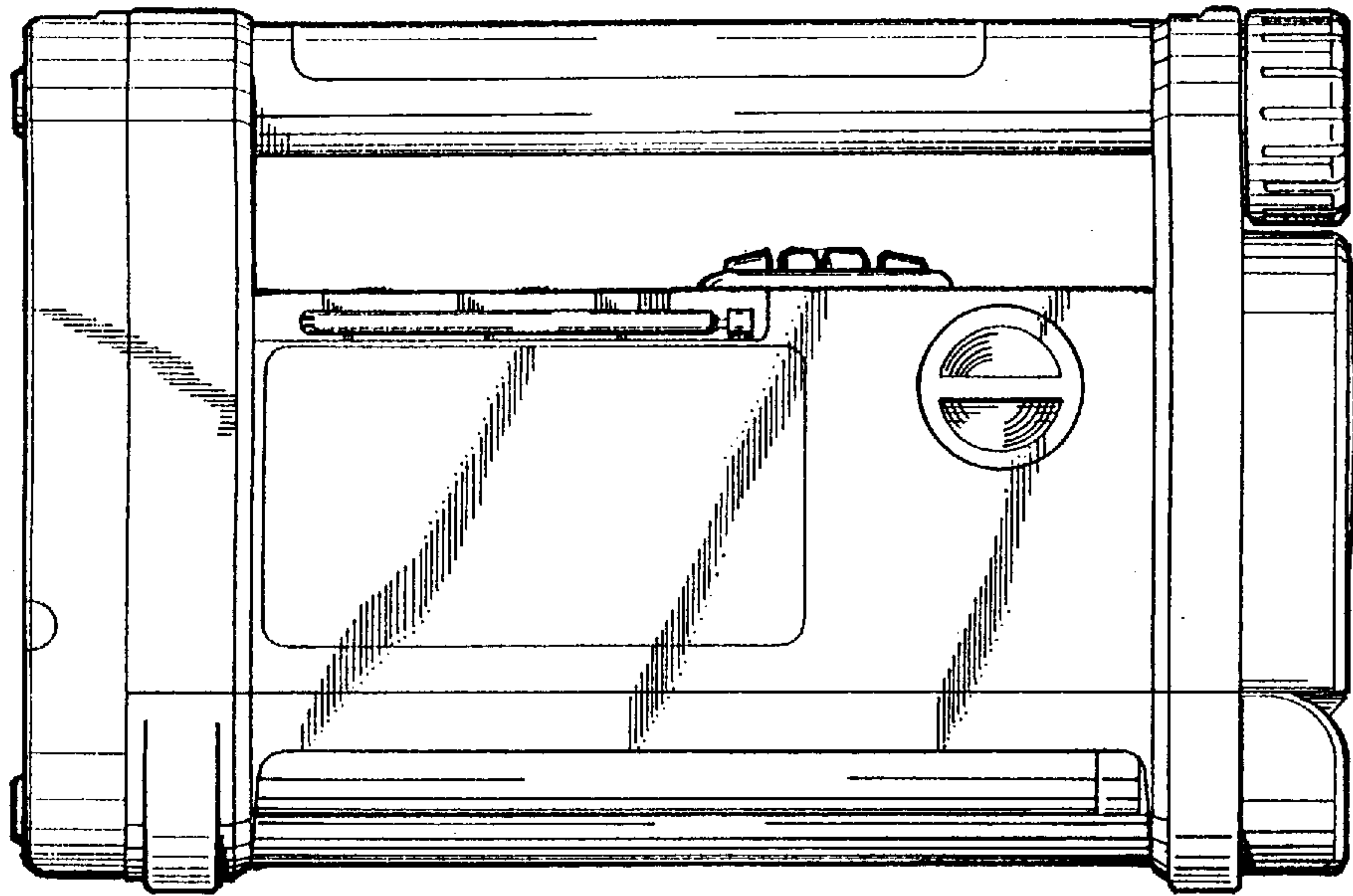


FIG. 6

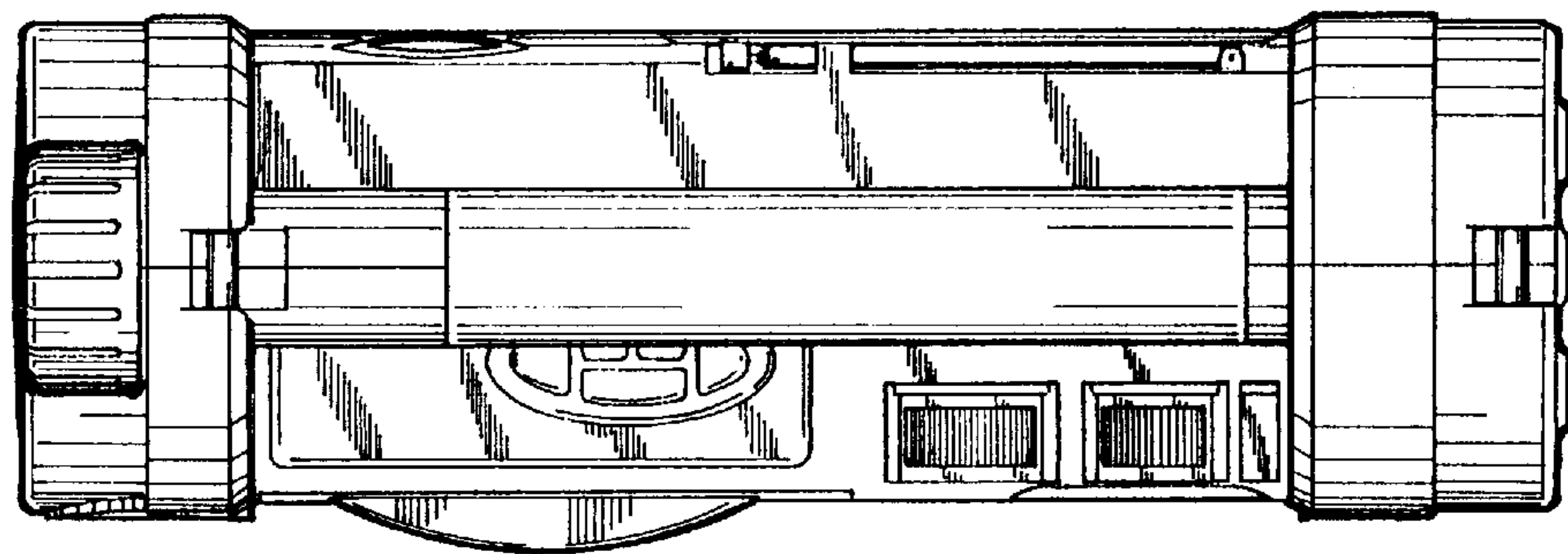


FIG. 7

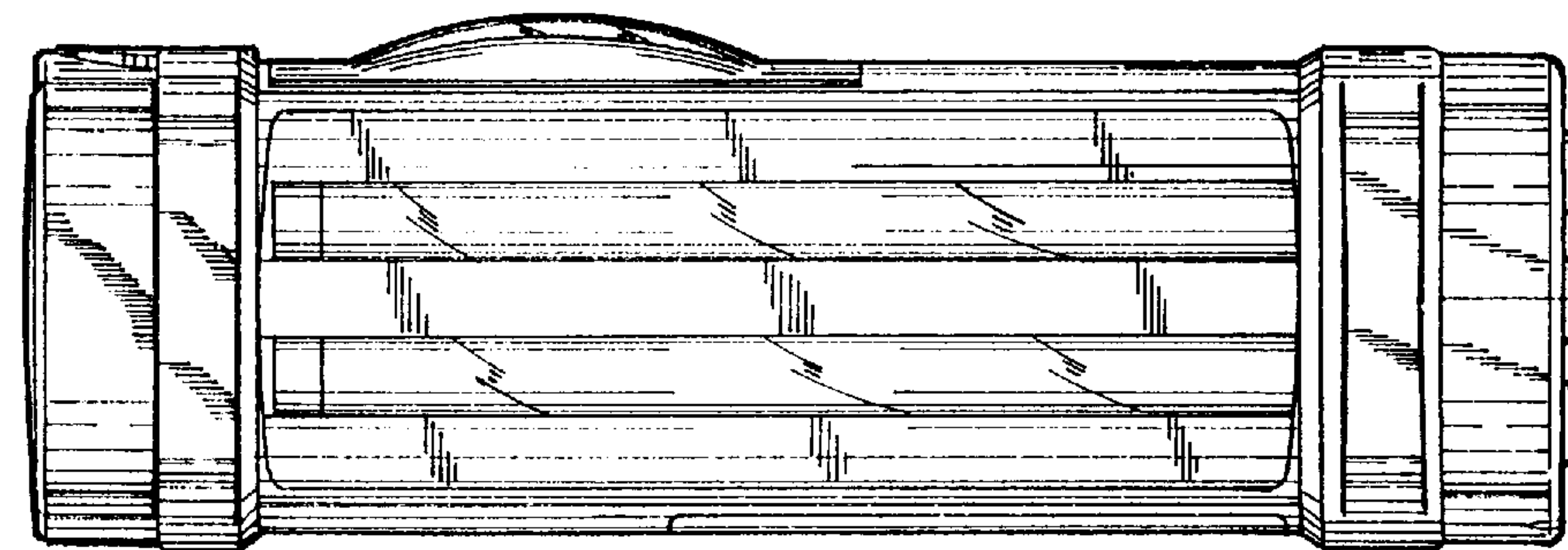


FIG. 8

