



US00D425059S

# United States Patent [19] Gaubert

[11] **Patent Number: Des. 425,059**

[45] **Date of Patent: \*\* May 16, 2000**

[54] **DIGITAL ANSWERING MACHINE**

[75] Inventor: **Christophe Gaubert**, Paris, France

[73] Assignee: **Thomson Multimedia, S.A.**, Boulogne, France

[\*\*] Term: **14 Years**

[21] Appl. No.: **29/106,538**

[22] Filed: **Jun. 17, 1999**

### [30] Foreign Application Priority Data

Dec. 23, 1998 [FR] France ..... 98-7505

[51] **LOC (7) Cl.** ..... **14-01**

[52] **U.S. Cl.** ..... **D14/141**

[58] **Field of Search** ..... D14/100, 107,  
D14/140, 141, 142, 240, 137; D13/184;  
379/67.1-88.28

### [56] References Cited

#### U.S. PATENT DOCUMENTS

- D. 292,090 9/1987 Shintomi ..... D14/141
- D. 308,854 6/1990 Fuhrmann et al. .... D13/184
- D. 319,439 8/1991 Danielson et al. .... D14/141
- D. 340,039 10/1993 Tashiro et al. .... D14/107

- D. 367,650 3/1996 Solomita ..... D14/141
- D. 392,262 3/1998 Imura ..... D14/107

*Primary Examiner*—Jeffrey Asch  
*Attorney, Agent, or Firm*—McAulay Nissen Goldberg Kiel & Hand, LLP

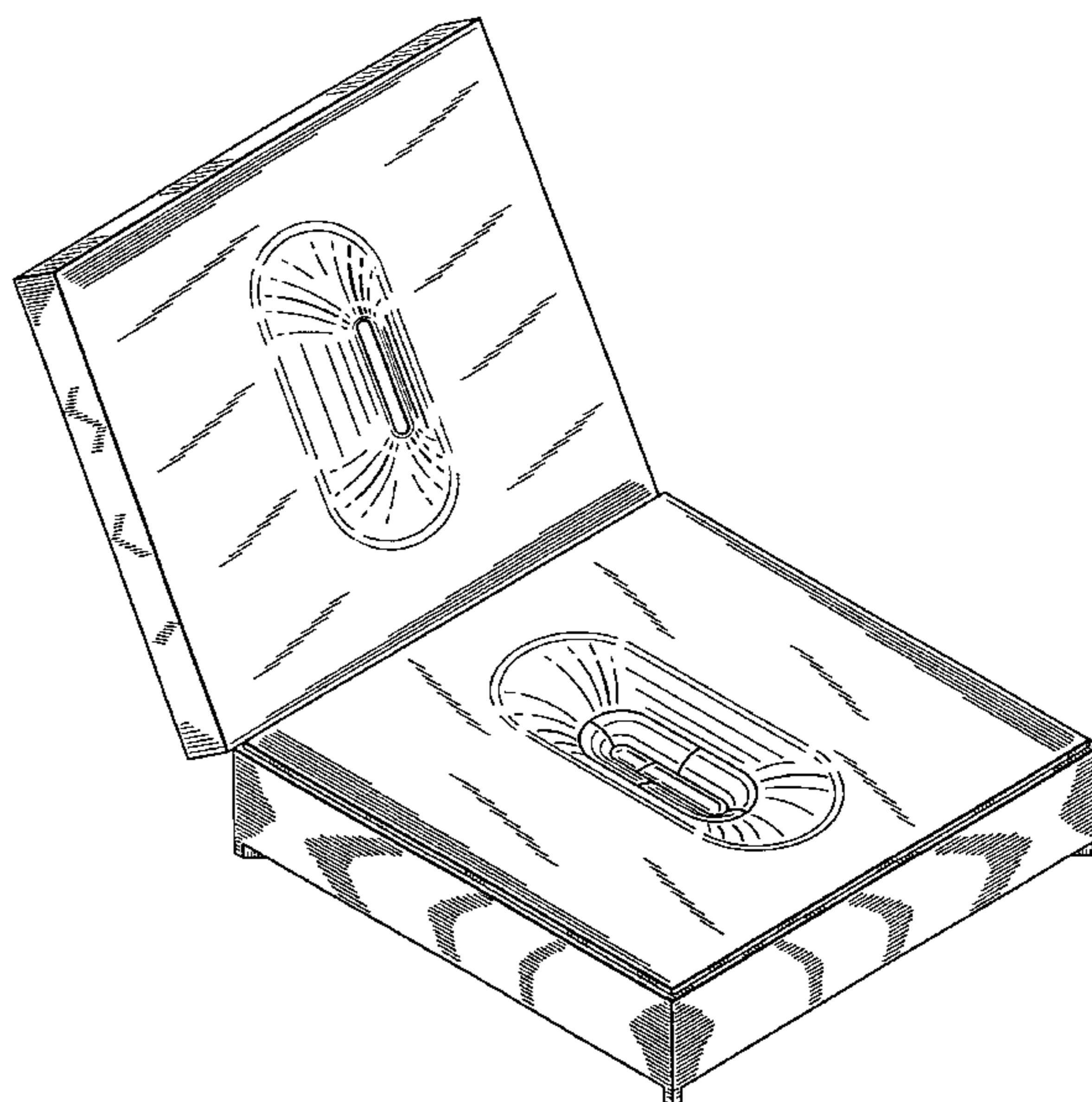
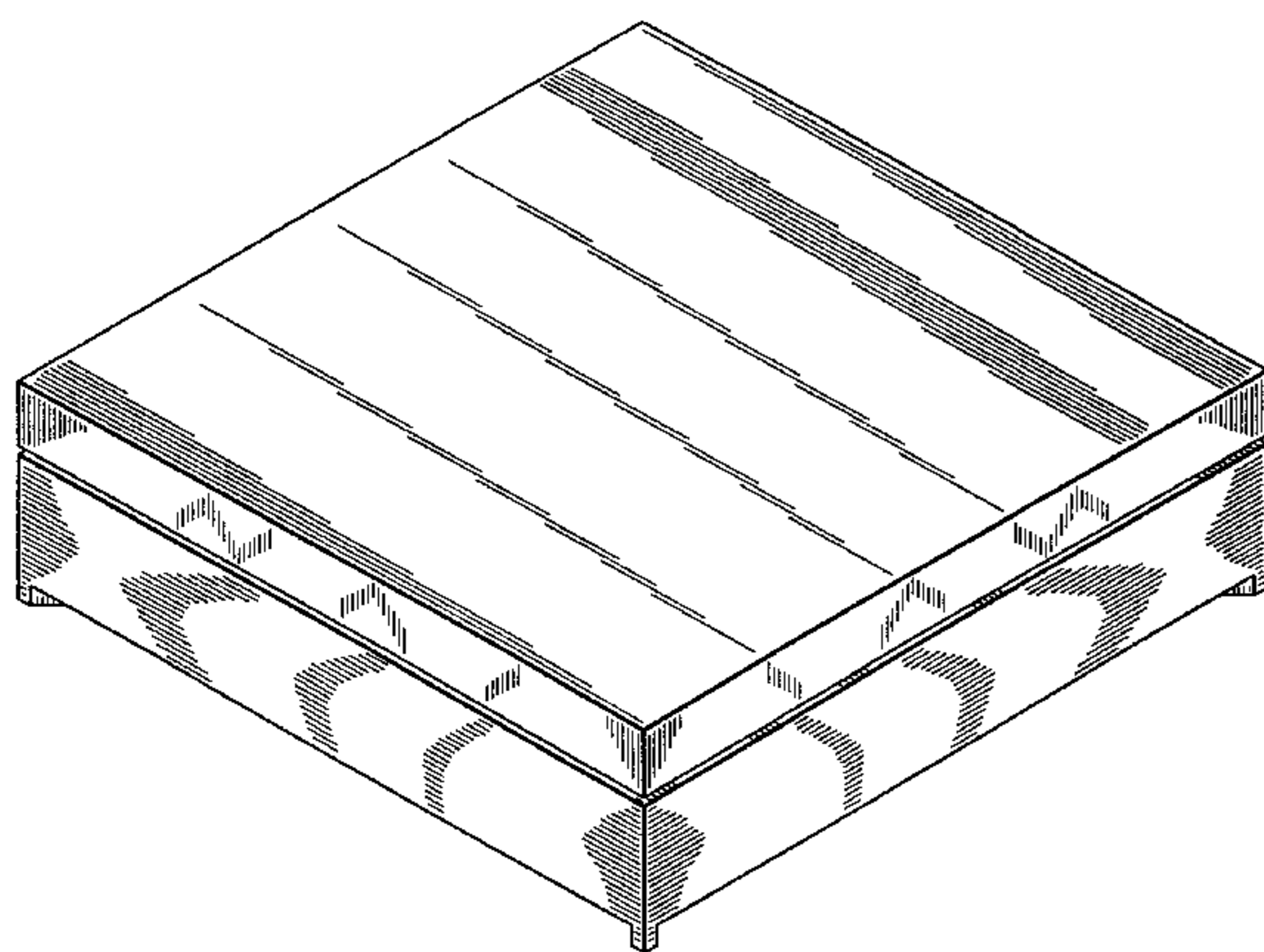
### [57] CLAIM

The ornamental design for a digital answering machine, as shown and described.

### DESCRIPTION

FIG. 1 is a front view of a digital answering machine showing my new design;  
 FIG. 2 is a rear view thereof;  
 FIG. 3 is a top view thereof;  
 FIG. 4 is a bottom view thereof;  
 FIG. 5 is a right side view thereof and the left side view is a mirror image thereof;  
 FIG. 6 is an open right side view thereof, and the left open side view is a mirror image thereof;  
 FIG. 7 is a front view thereof in an open condition;  
 FIG. 8 is a top view thereof in an open condition;  
 FIG. 9 is a perspective view thereof in a closed condition; and,  
 FIG. 10 is a perspective view thereof in an open condition.

**1 Claim, 6 Drawing Sheets**



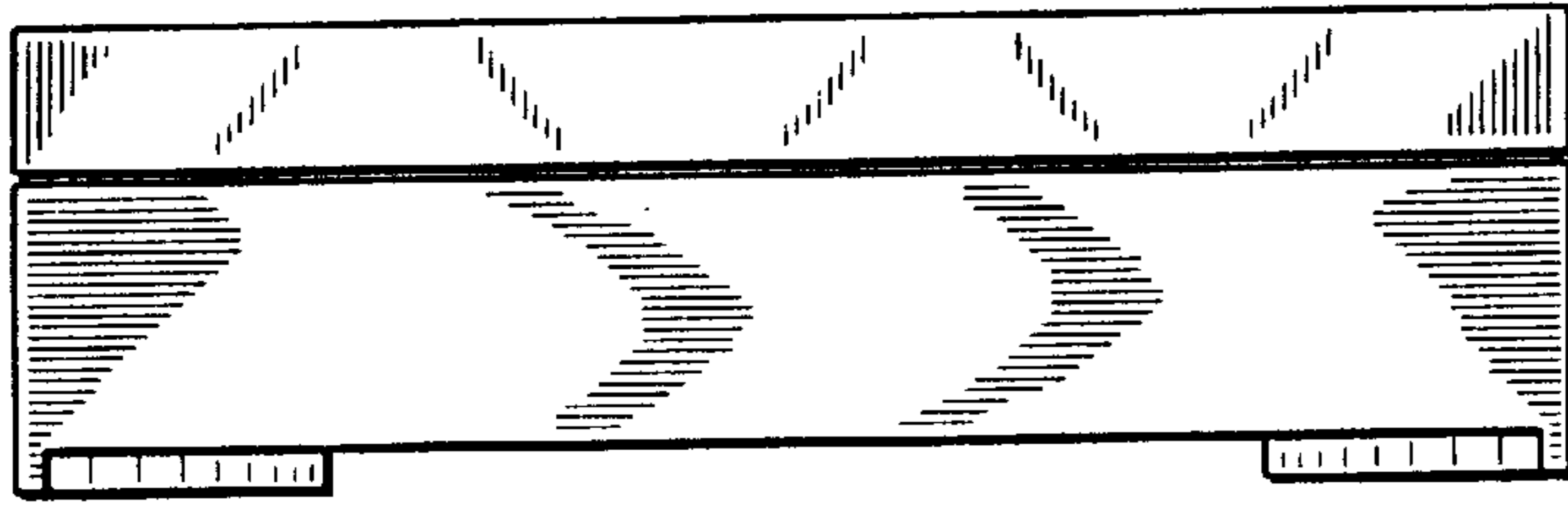


FIG. 1

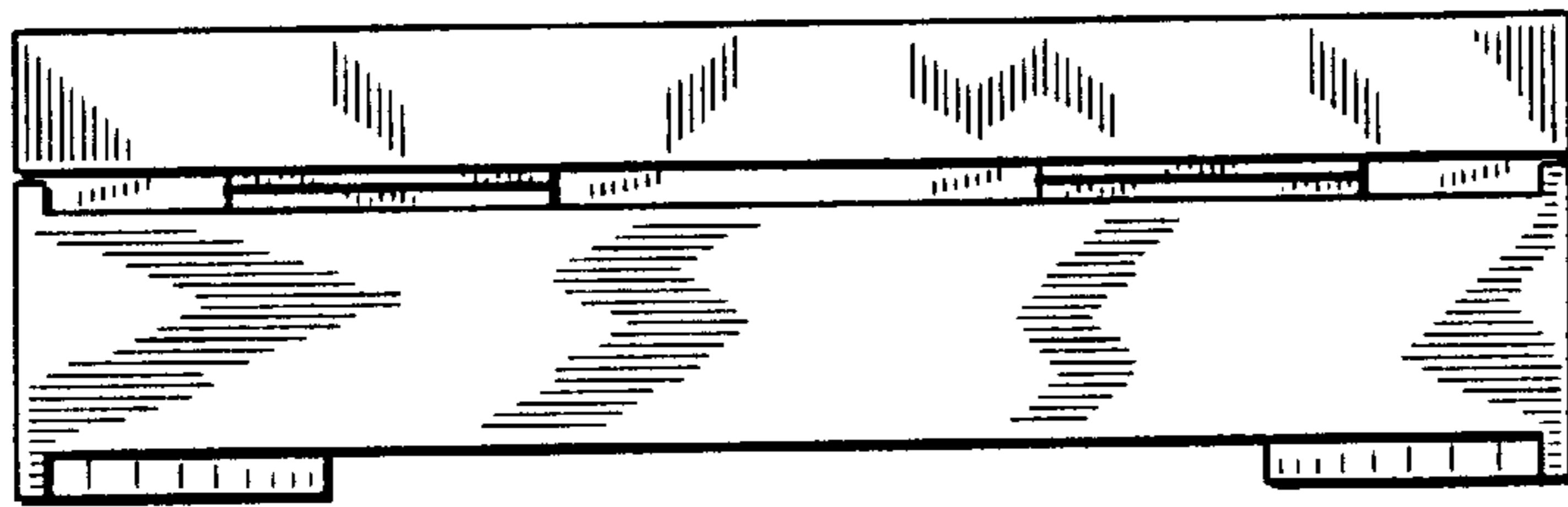


FIG. 2

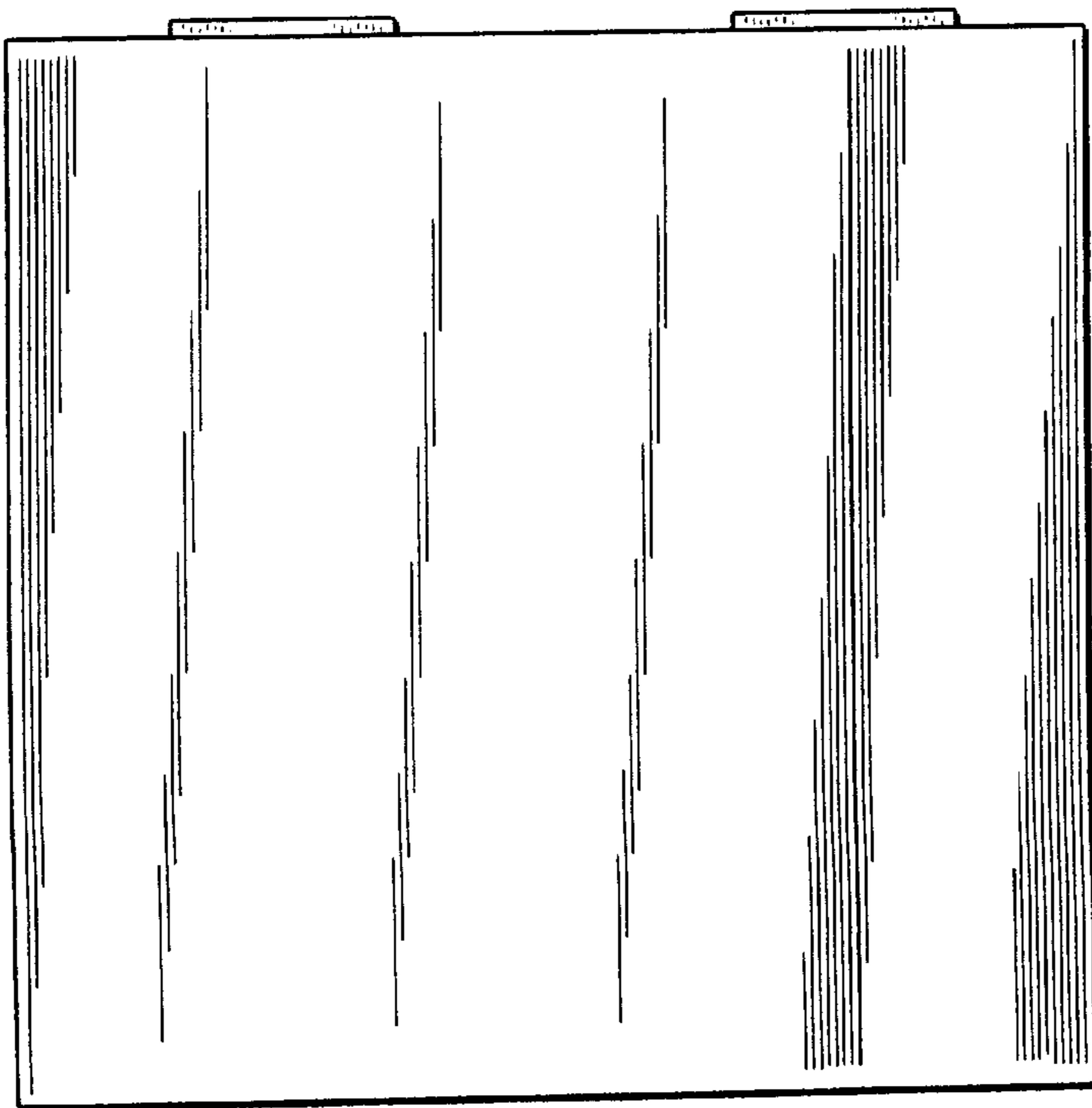


FIG. 3

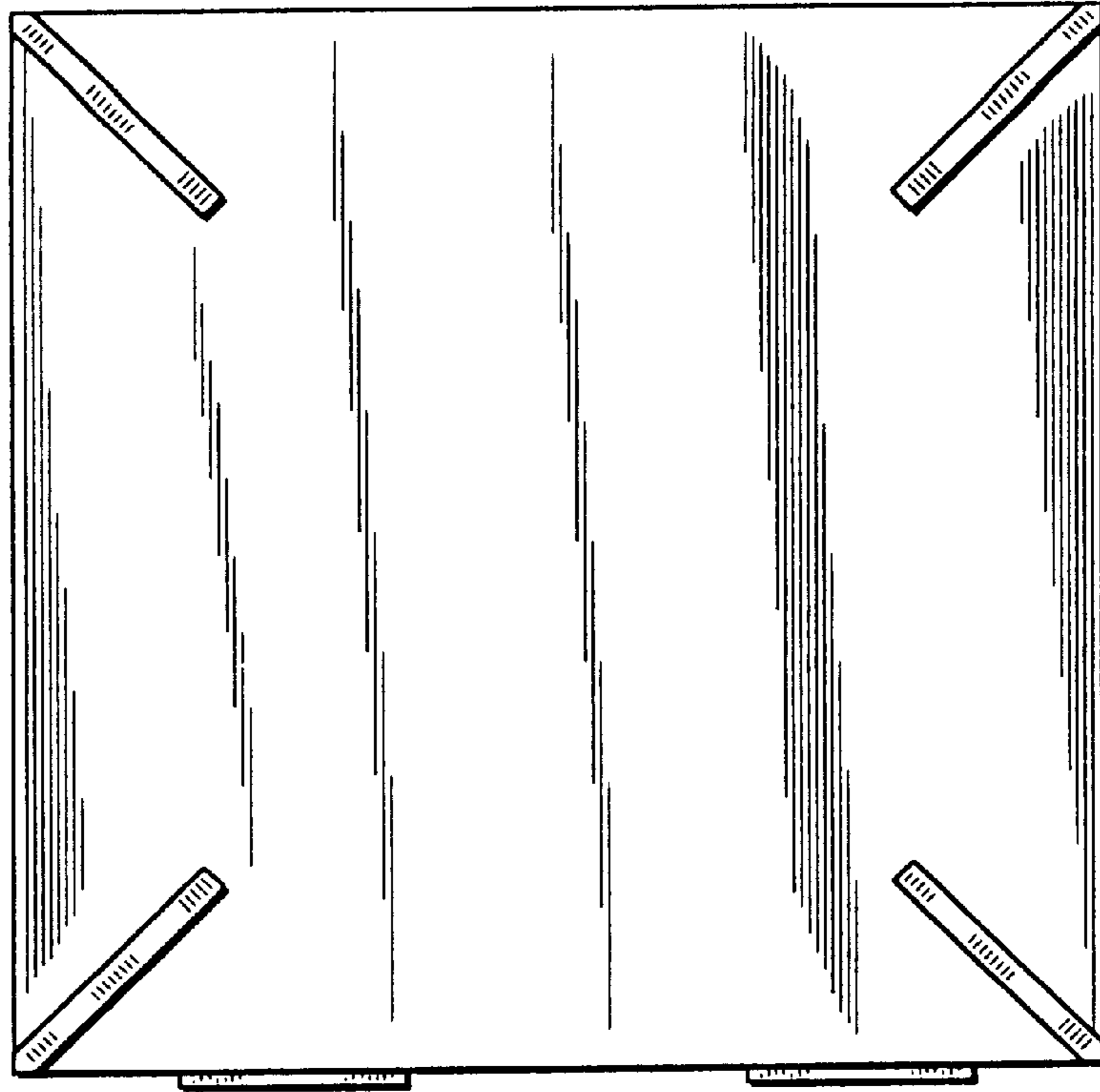


FIG. 4

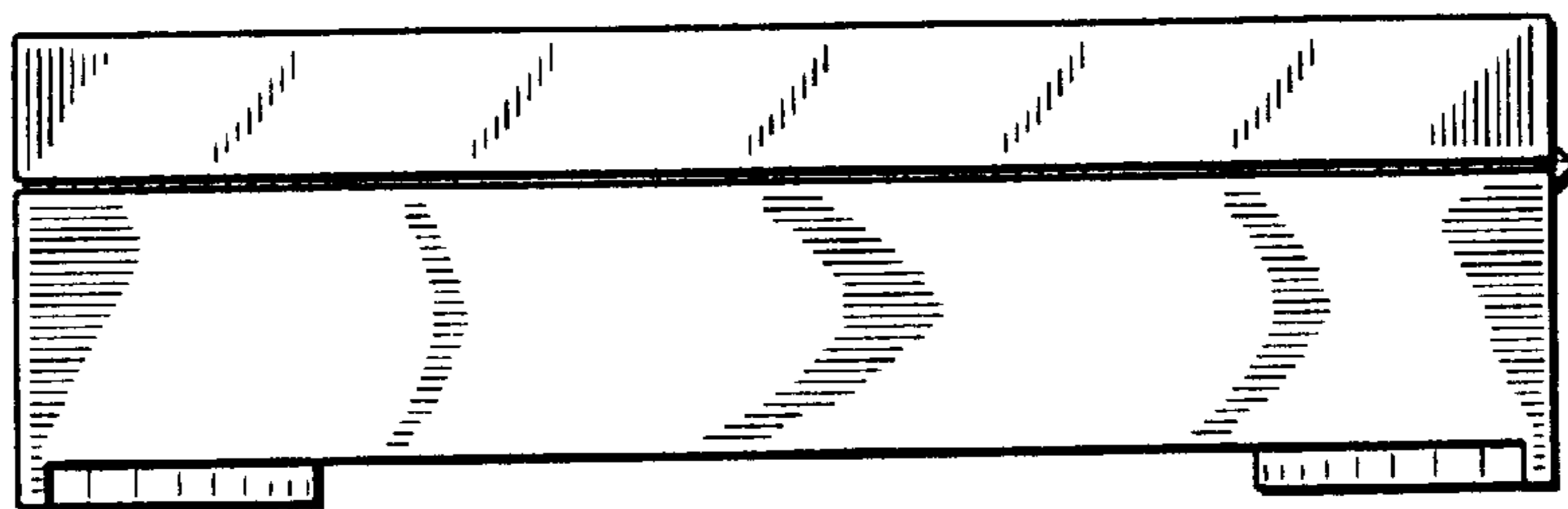


FIG. 5

FIG. 6

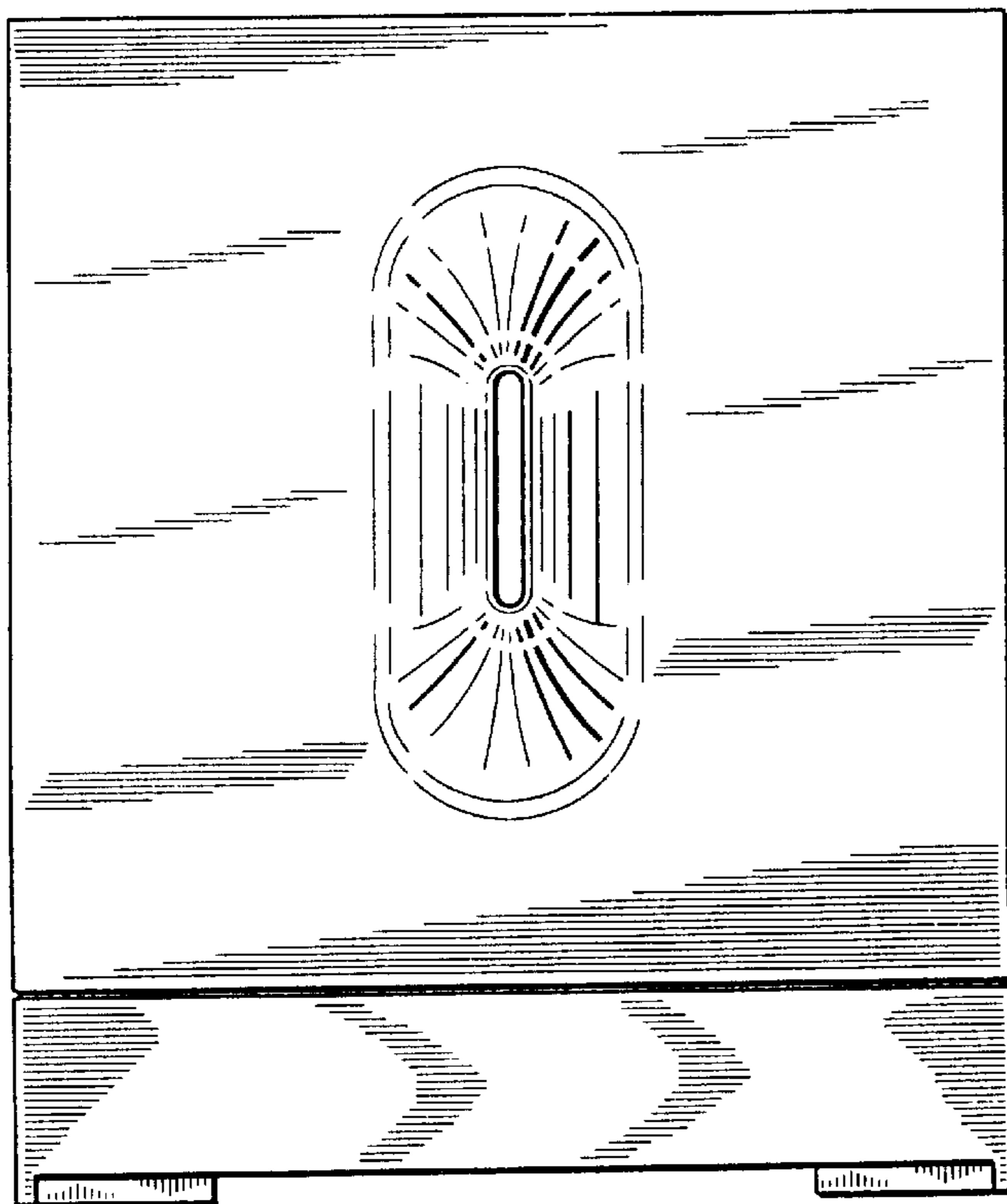
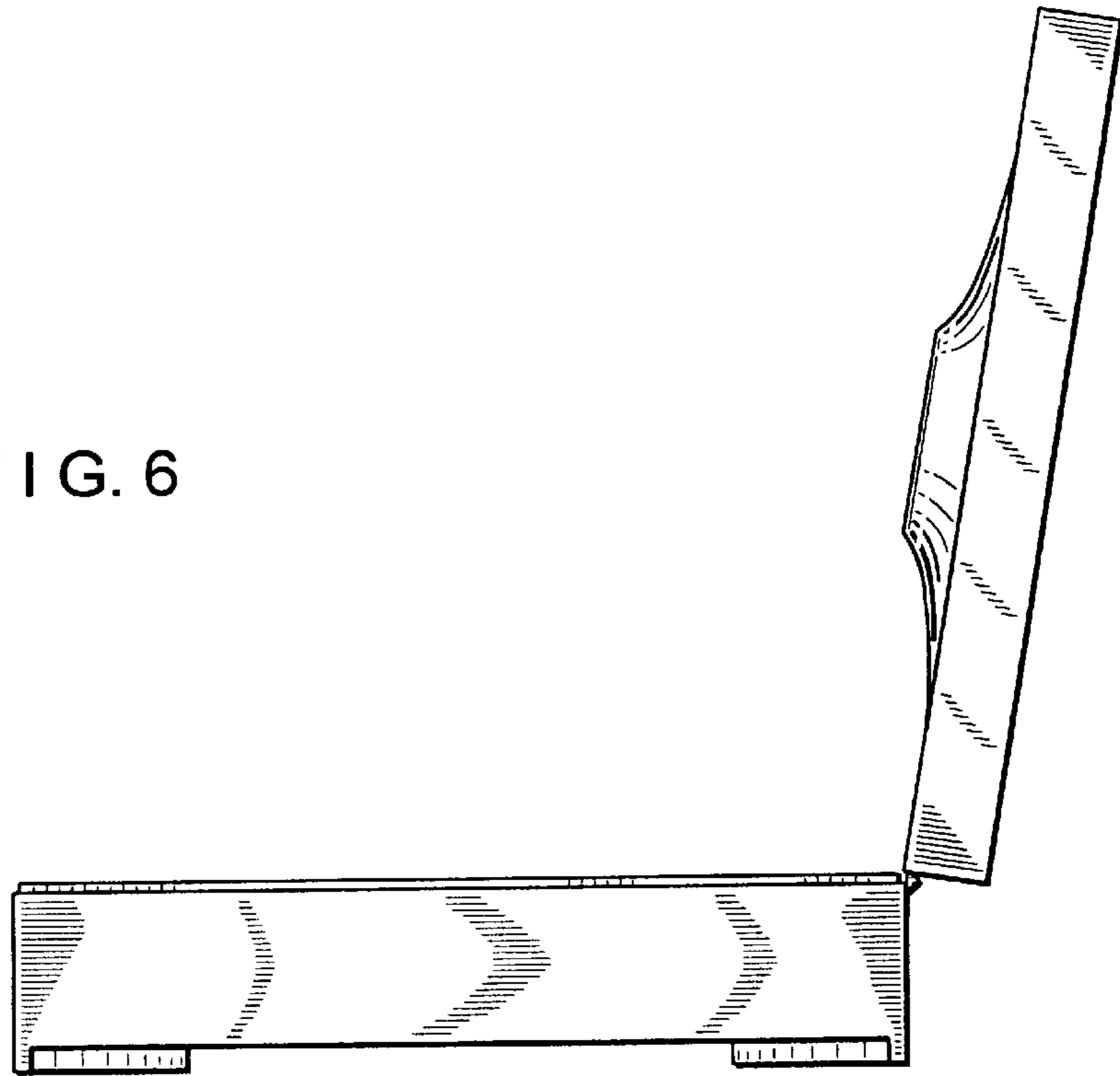


FIG. 7

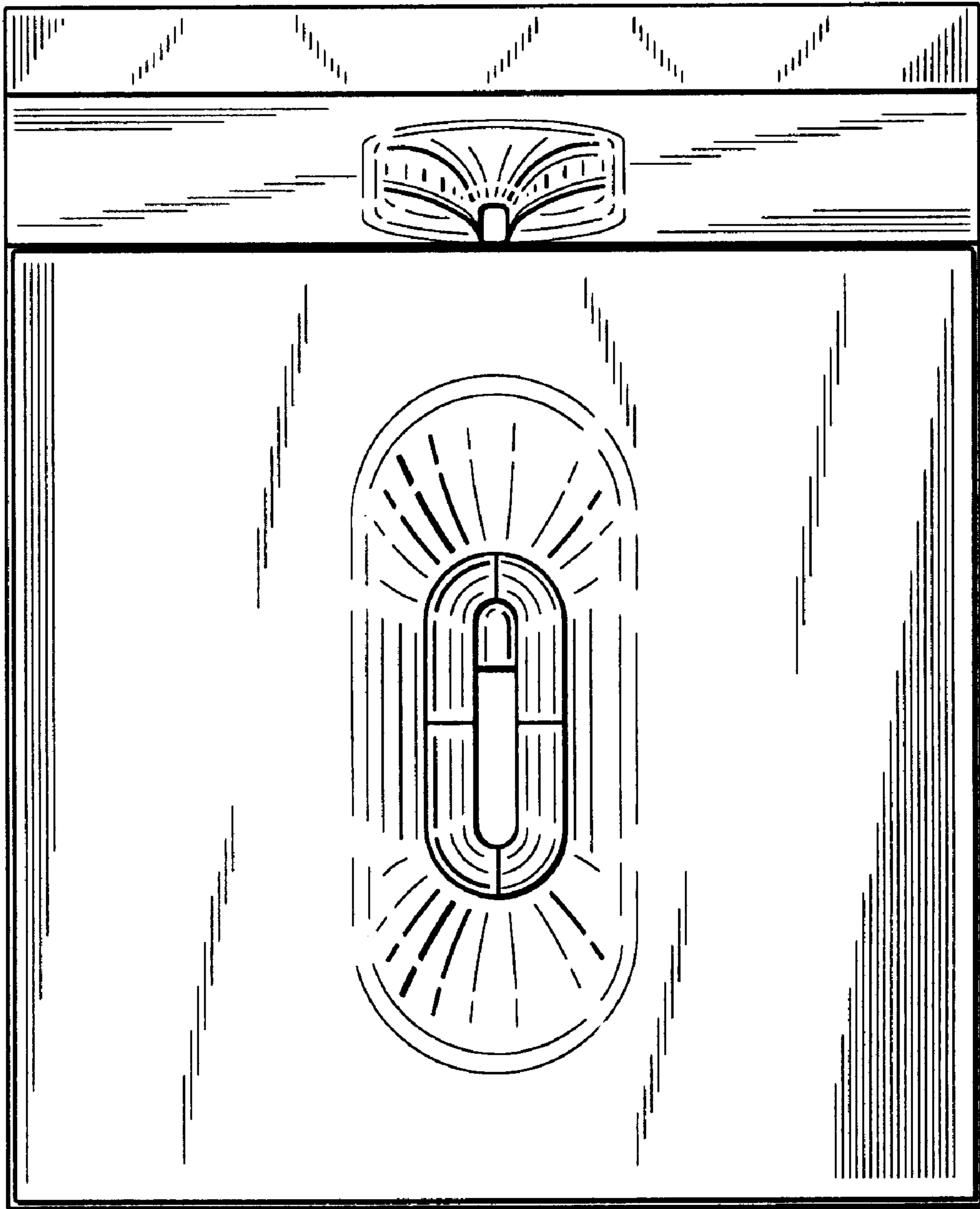


FIG. 8

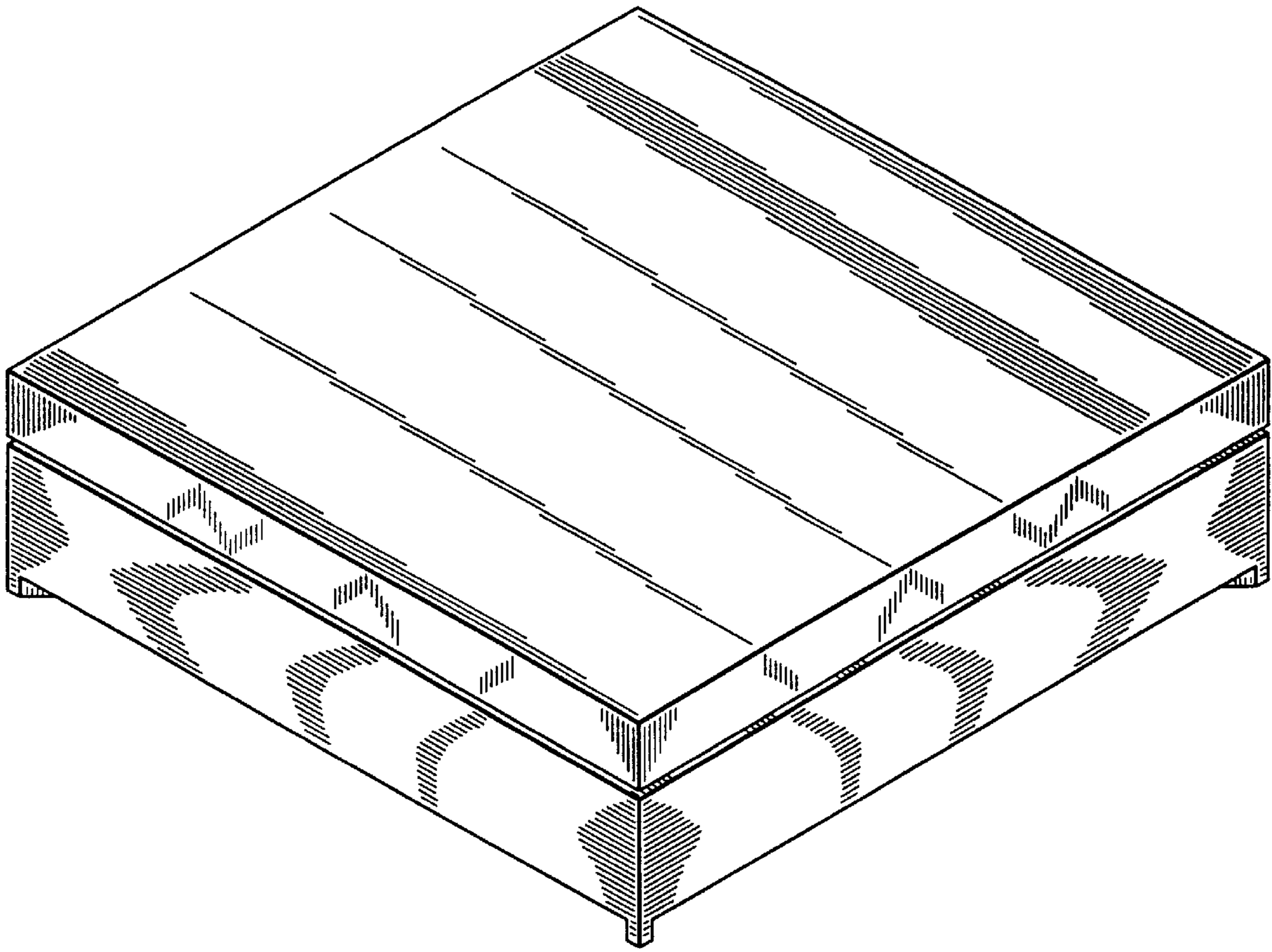


FIG. 9

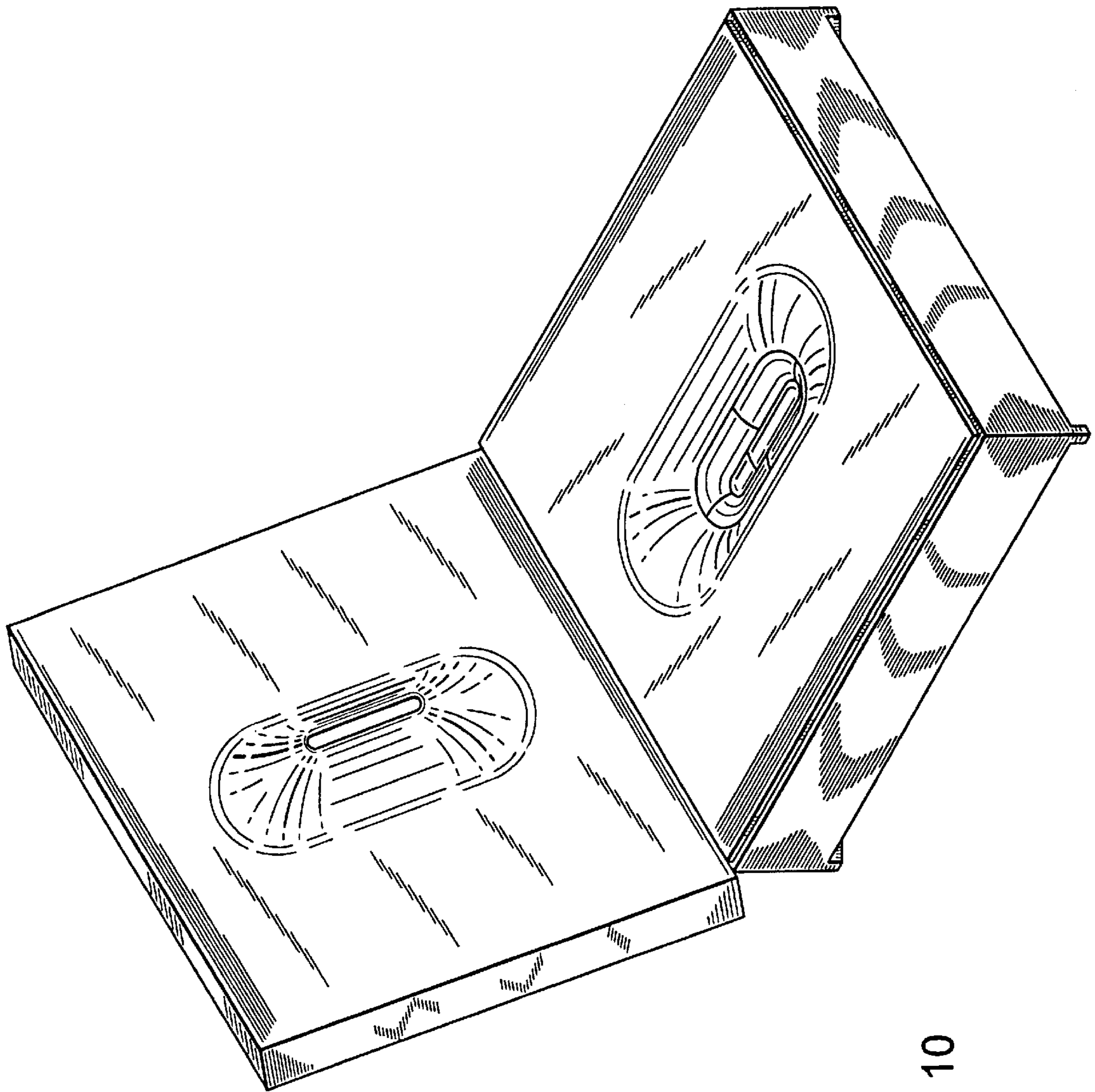


FIG. 10