



US00D425051S

United States Patent [19]

Yukikado et al.

[11] **Patent Number: Des. 425,051**

[45] **Date of Patent: ** May 16, 2000**

[54] **COMBINED TELEVISION RECEIVER AND VIDEO TAPE RECORDER**

[75] Inventors: **Koji Yukikado; Masaki Takemoto,**
both of Ehime, Japan

[73] Assignee: **Matsushita Electric Industrial Co., Ltd.,** Japan

[**] Term: **14 Years**

[21] Appl. No.: **29/104,299**

[22] Filed: **May 3, 1999**

[30] **Foreign Application Priority Data**

Nov. 18, 1998 [JP] Japan 10-33423

[51] **LOC (7) Cl. 14-03**

[52] **U.S. Cl. D14/129**

[58] **Field of Search D14/126-134;**
312/7.2; 348/836, 838

[56] **References Cited**

U.S. PATENT DOCUMENTS

D. 351,155 10/1994 Usami et al. D14/126

D. 371,552 7/1996 Akiyama et al. D14/129

OTHER PUBLICATIONS

Toshiba Model No. 14V66G catalog issued Jul., 1998.

Primary Examiner—Richelle Shelton
Attorney, Agent, or Firm—Saidman DesignLaw Group

[57] **CLAIM**

The ornamental design for a combined television receiver and video tape recorder, as shown and described.

DESCRIPTION

FIG. 1 is a perspective view of the top, front and right side of a combined television receiver and video tape recorder showing our new design;

FIG. 2 is a perspective view of the top, rear and right side thereof;

FIG. 3 is a front view thereof;

FIG. 4 is a right side view thereof;

FIG. 5 is a top plan view thereof;

FIG. 6 is a bottom view thereof;

FIG. 7 is a rear view thereof; and,

FIG. 8 is a left side view thereof.

1 Claim, 4 Drawing Sheets

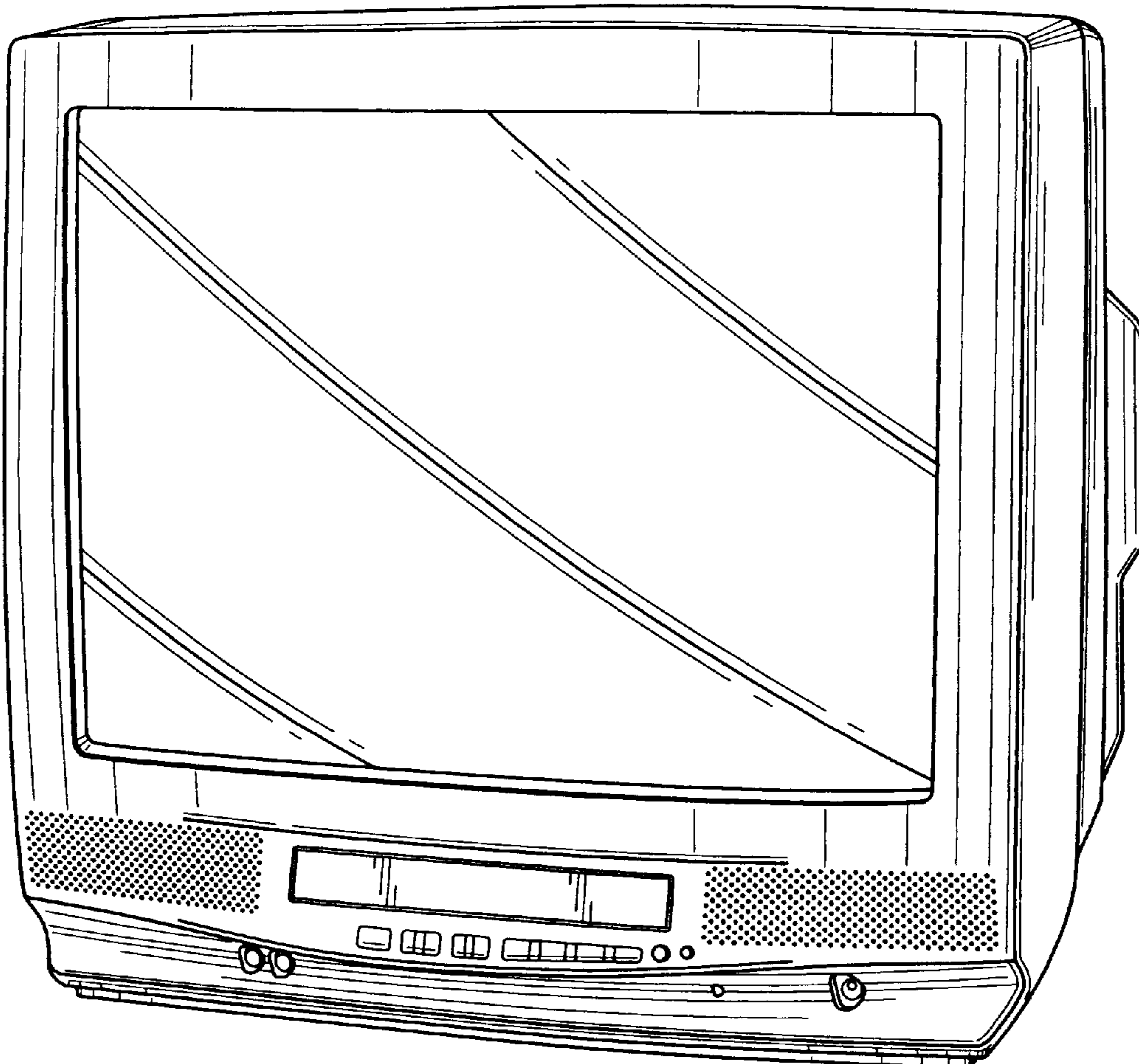


FIG. 1

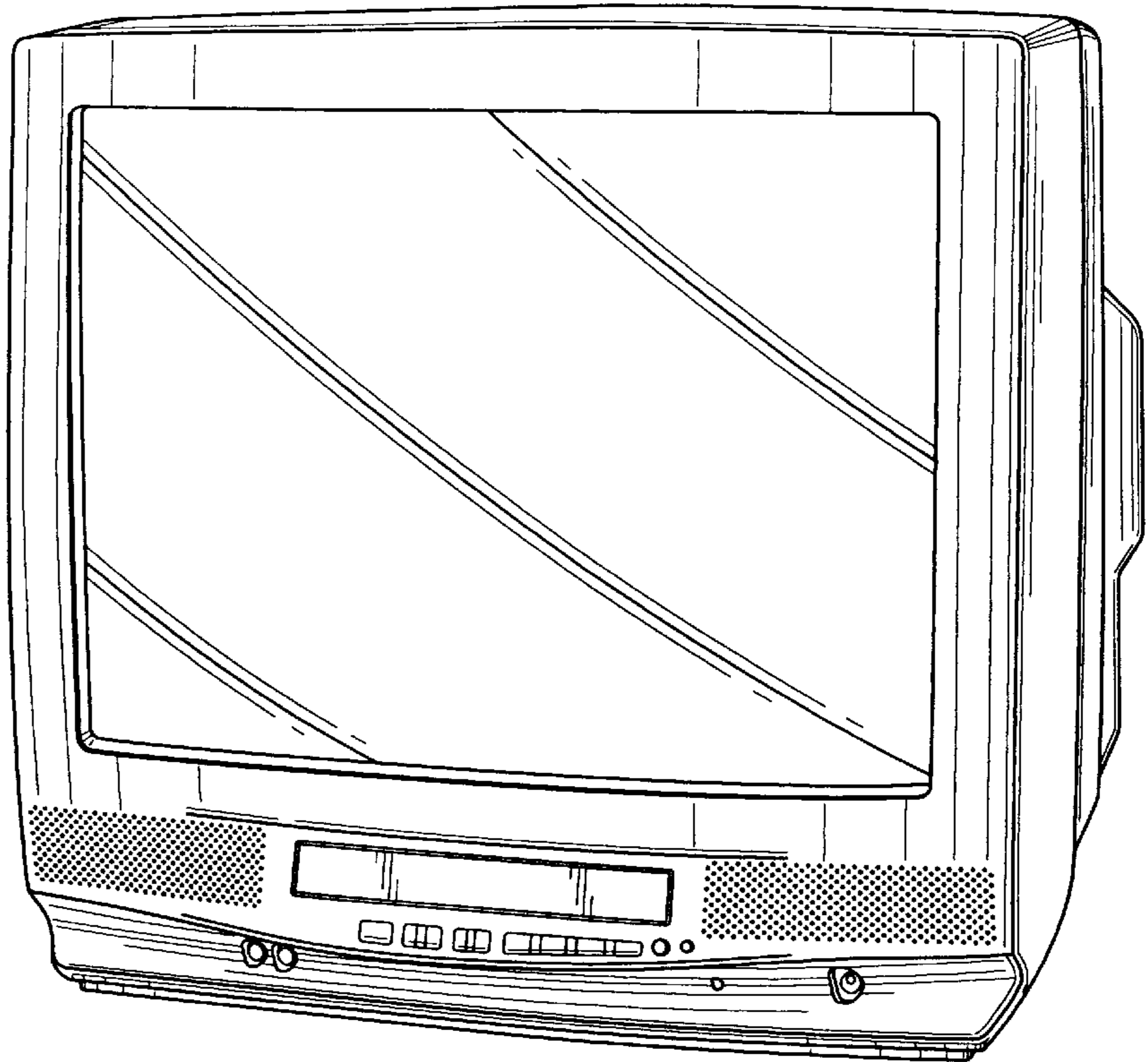


FIG. 2

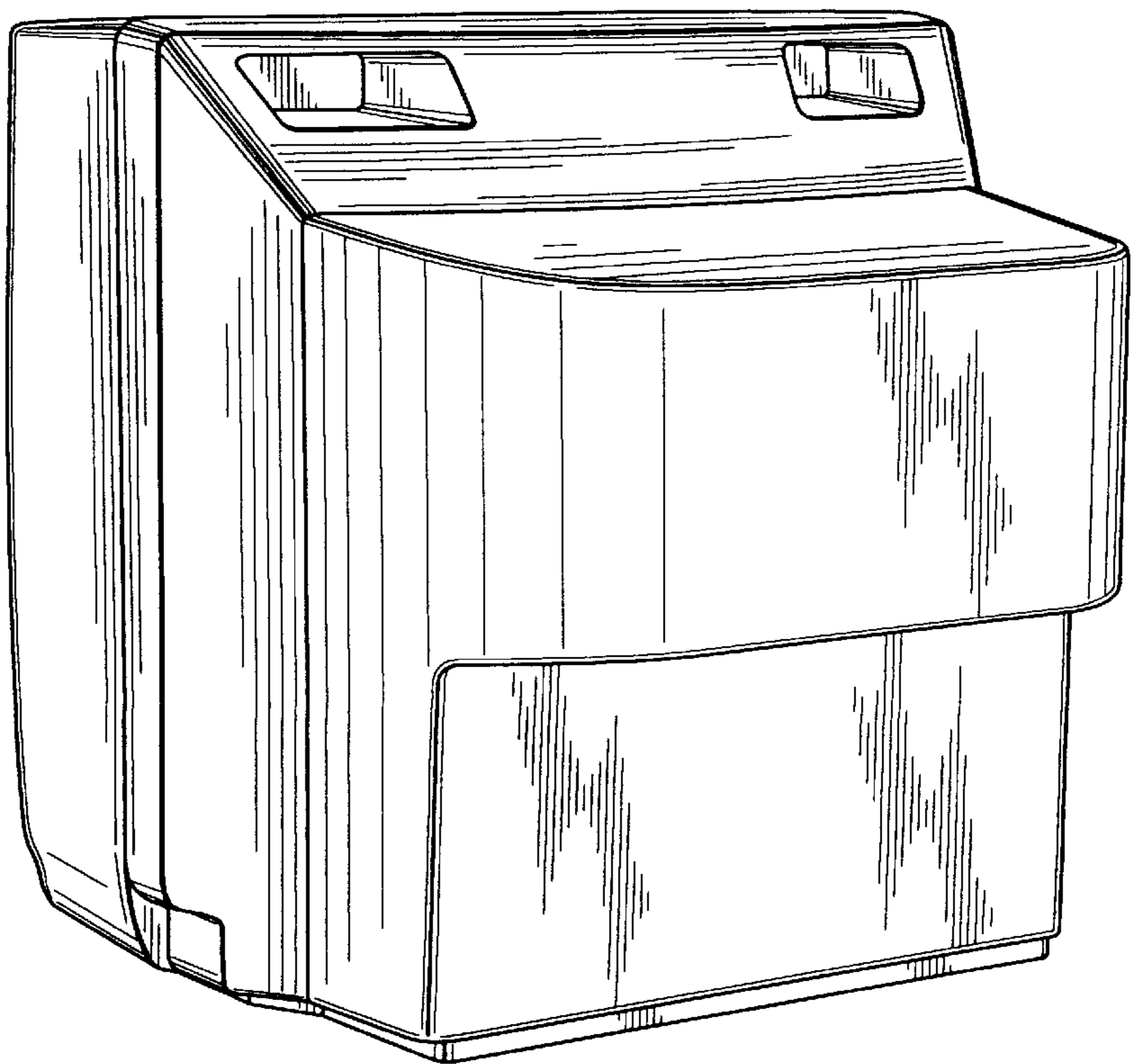


FIG. 4

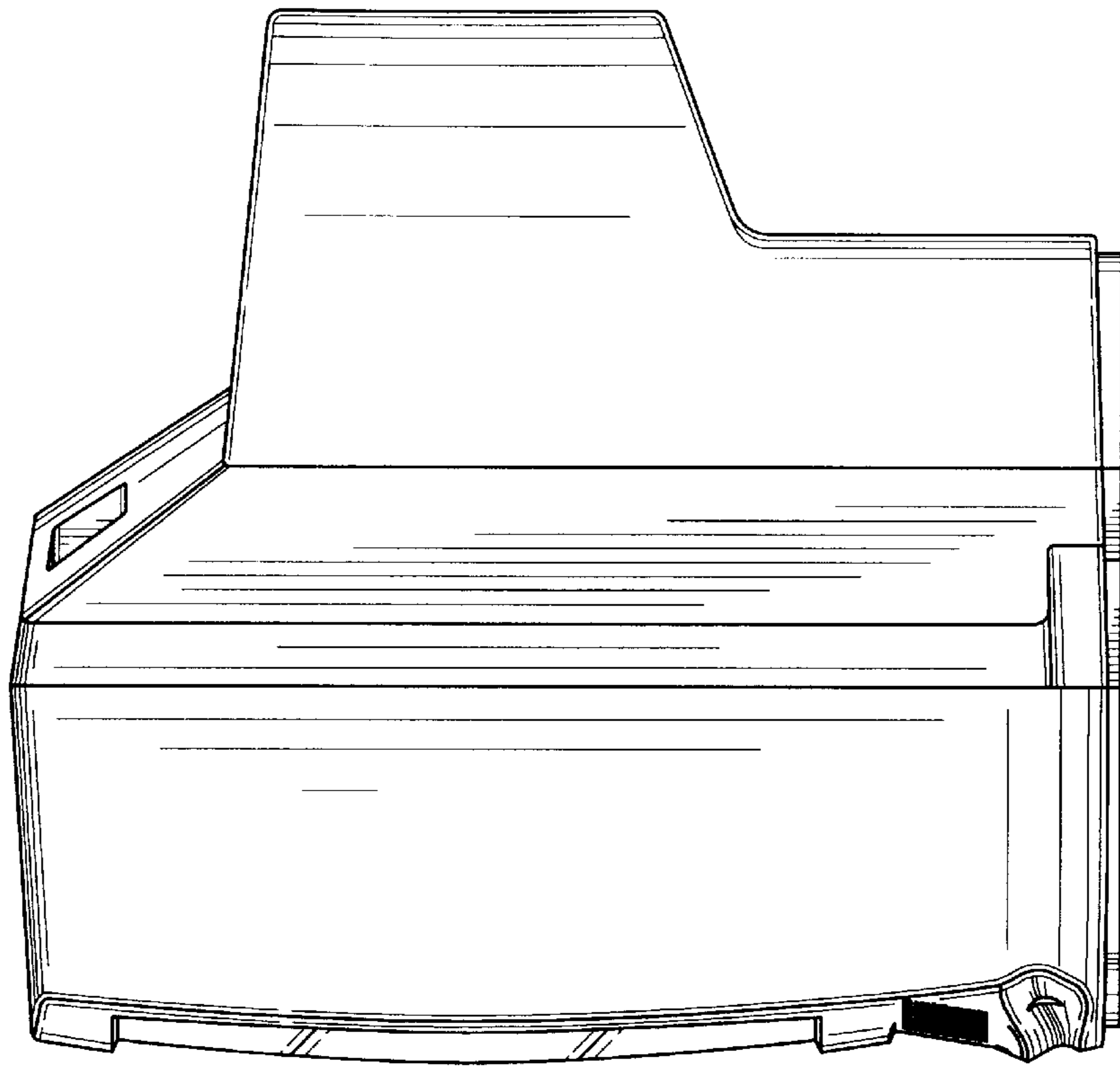


FIG. 3

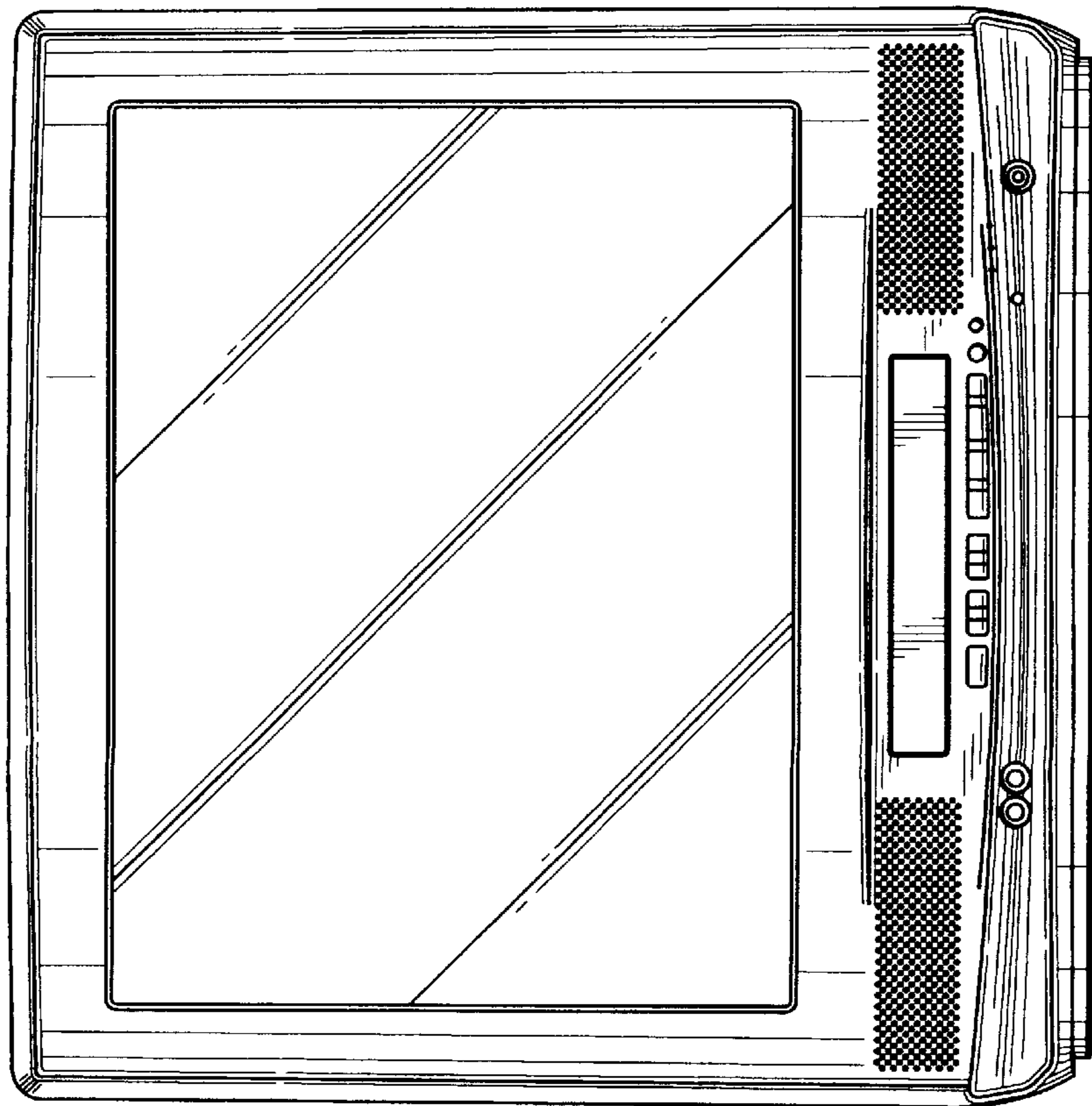


FIG. 6

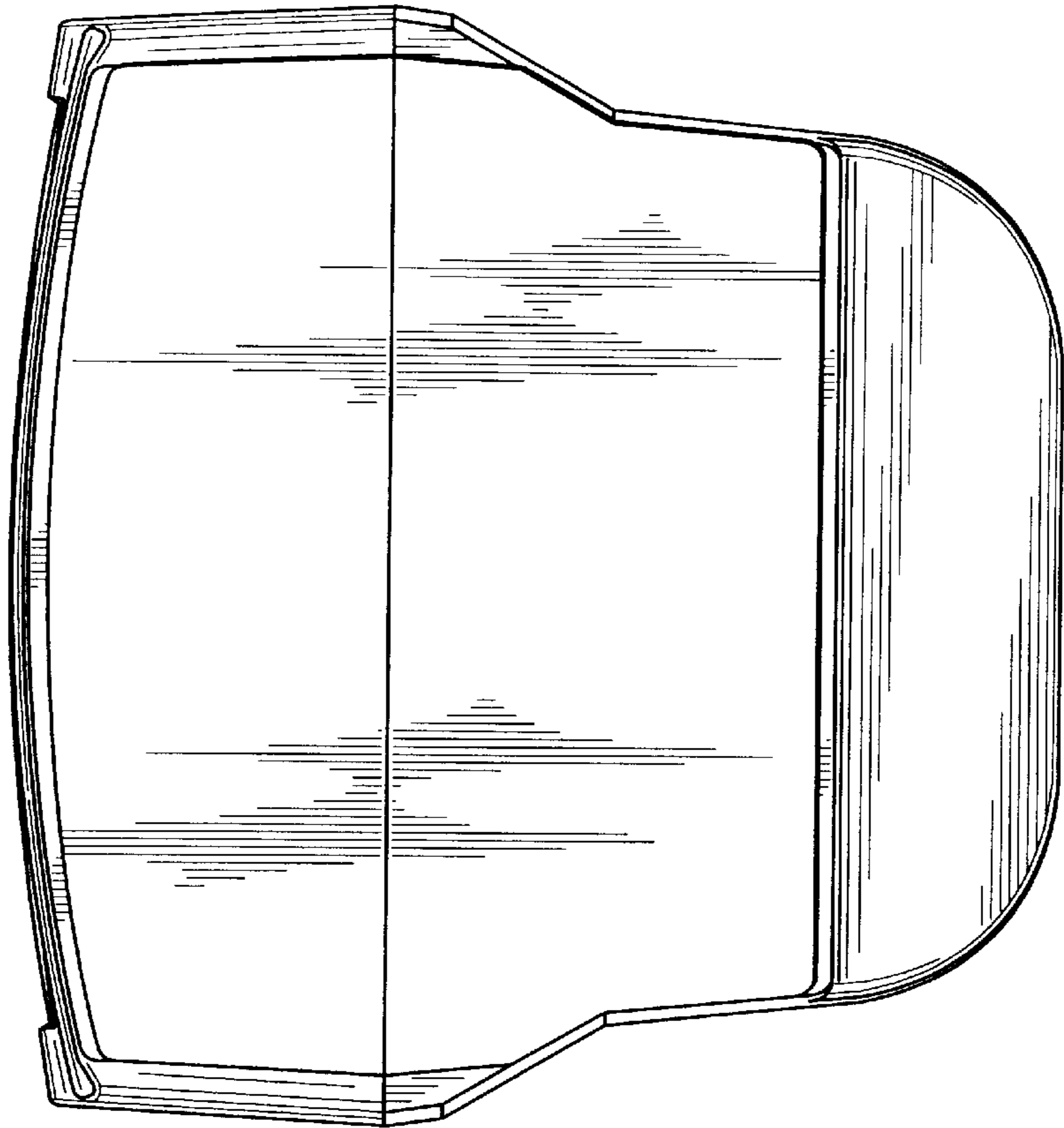


FIG. 5

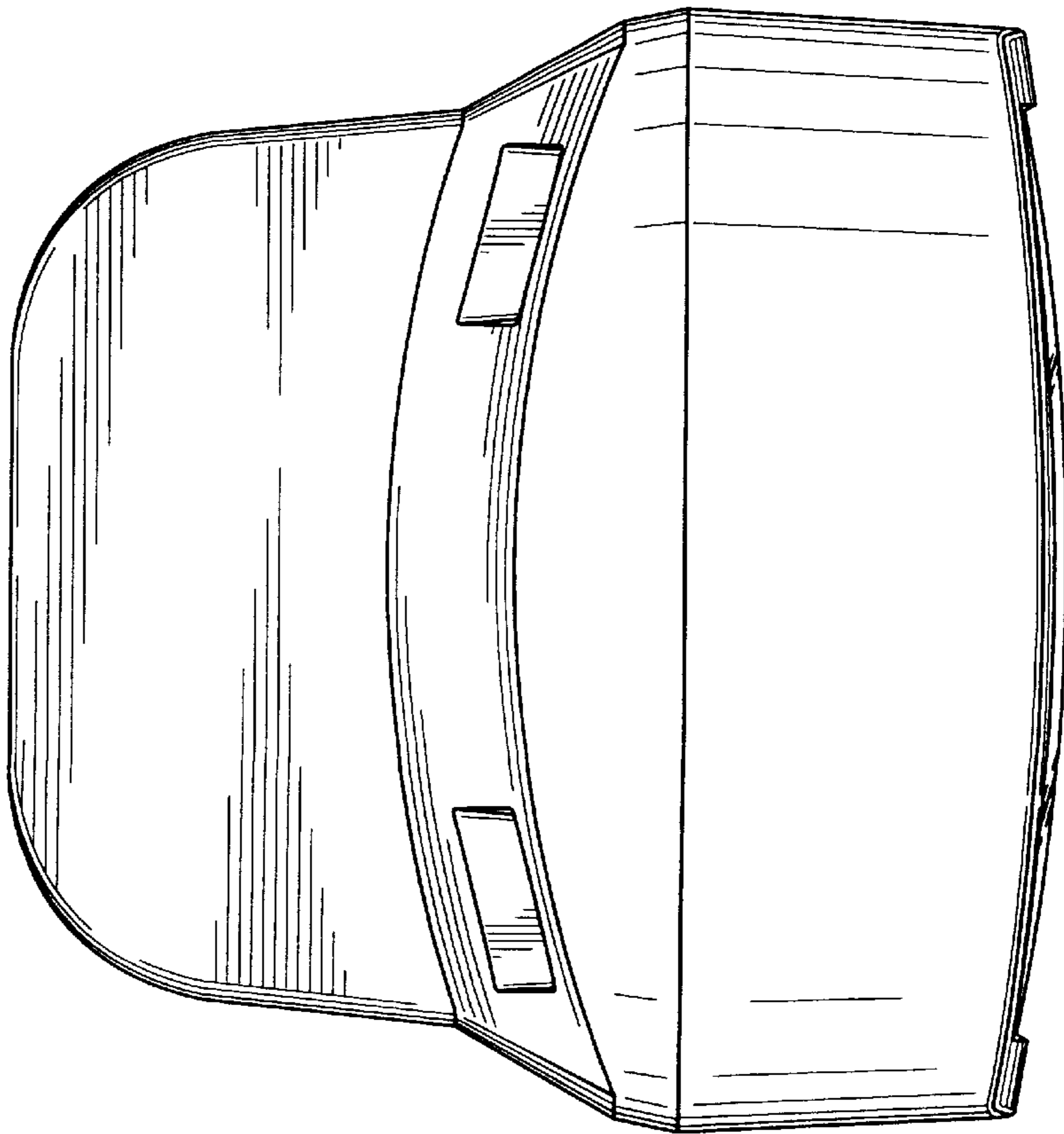


FIG. 8

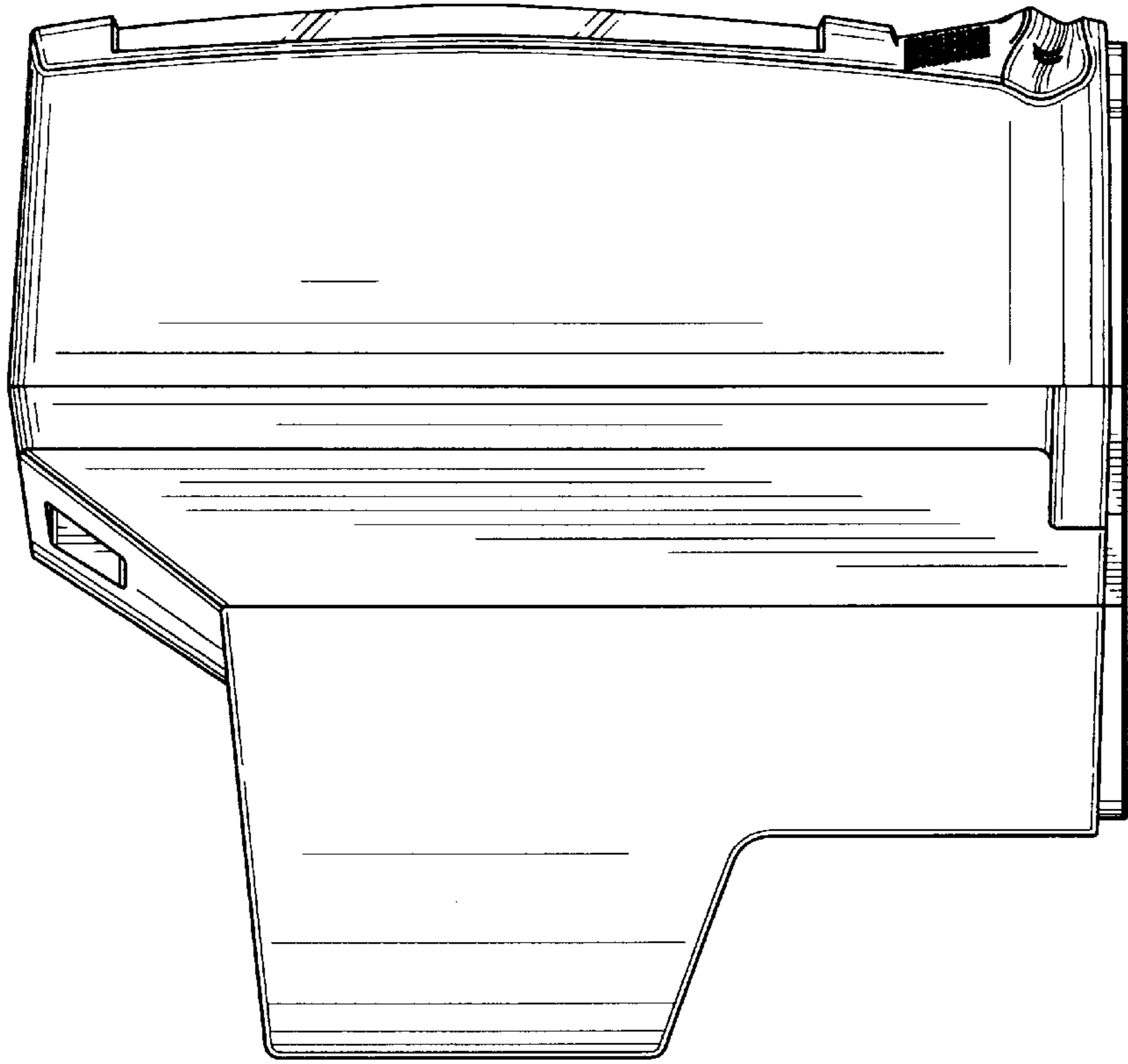


FIG. 7

