



US00D425050S

United States Patent [19]

Tanigawa et al.

[11] Patent Number: **Des. 425,050**

[45] Date of Patent: **** May 16, 2000**

[54] TELEVISION RECEIVER

[75] Inventors: **Satoshi Tanigawa; Noriaki Mori**, both of Osaka; **Takashi Inoue**, Nara; **Mitsuru Takami**, Osaka, all of Japan

[73] Assignee: **Matsushita Electric Industrial Co., Ltd.**, Japan

[**] Term: **14 Years**

[21] Appl. No.: **29/108,035**

[22] Filed: **Jul. 19, 1999**

[30] Foreign Application Priority Data

Jan. 22, 1999 [JP] Japan 11-1329

[51] LOC (7) Cl. **14-03**

[52] U.S. Cl. **D14/126**

[58] Field of Search D14/126-134;
312/7.2; 348/836, 838

[56] References Cited

U.S. PATENT DOCUMENTS

D. 384,342 9/1997 Maeno et al. D14/126

OTHER PUBLICATIONS

Panasonic Model Nos. TH-33FB1 and Th-29FB1, brochure issued Oct. 1, 1998.

Primary Examiner—Richelle Shelton
Attorney, Agent, or Firm—SAIDMAN DesignLaw Group

[57] CLAIM

The ornamental design for a television receiver, as shown and described.

DESCRIPTION

FIG. 1 is a perspective view of the top, front and right side of a television receiver showing our new design;
FIG. 2 is a front view thereof;
FIG. 3 is a top plan view thereof;
FIG. 4 is a bottom view thereof;
FIG. 5 is a right side view thereof;
FIG. 6 is a left side view thereof;
FIG. 7 is a rear view thereof; and,
FIG. 8 is a front view similar to FIG. 2 with the lid in open condition.

1 Claim, 4 Drawing Sheets

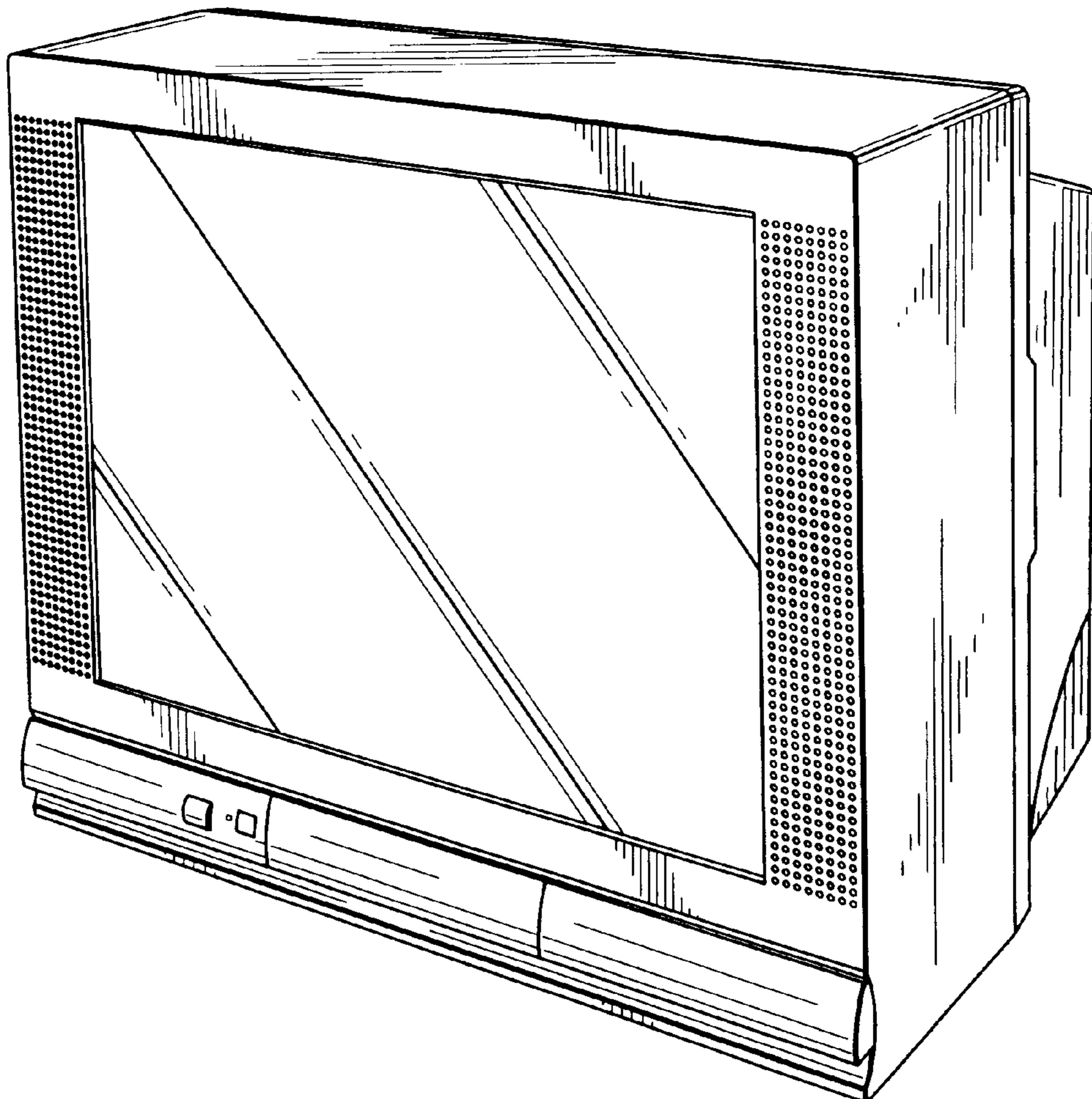


FIG. 1

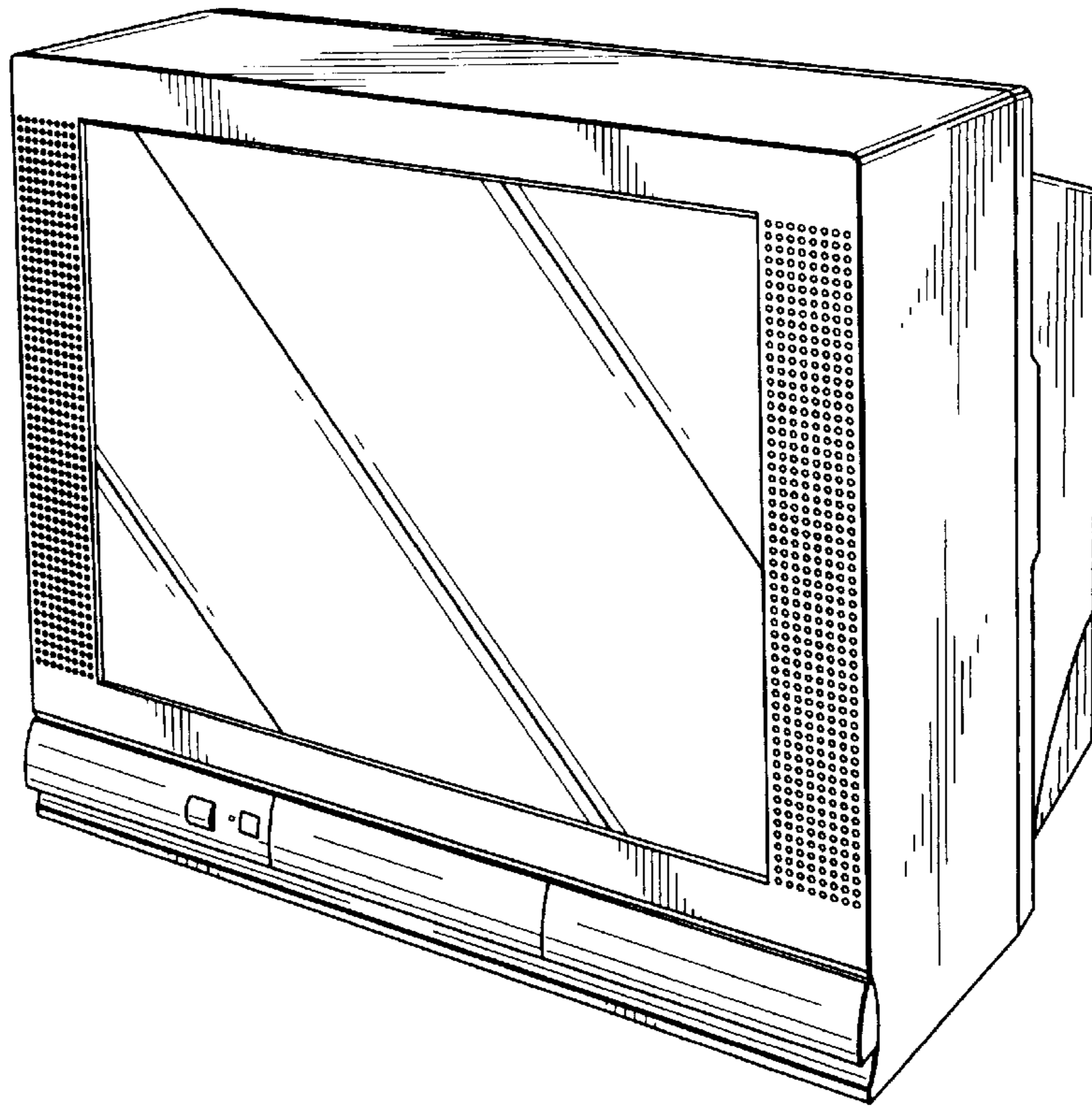


FIG. 2

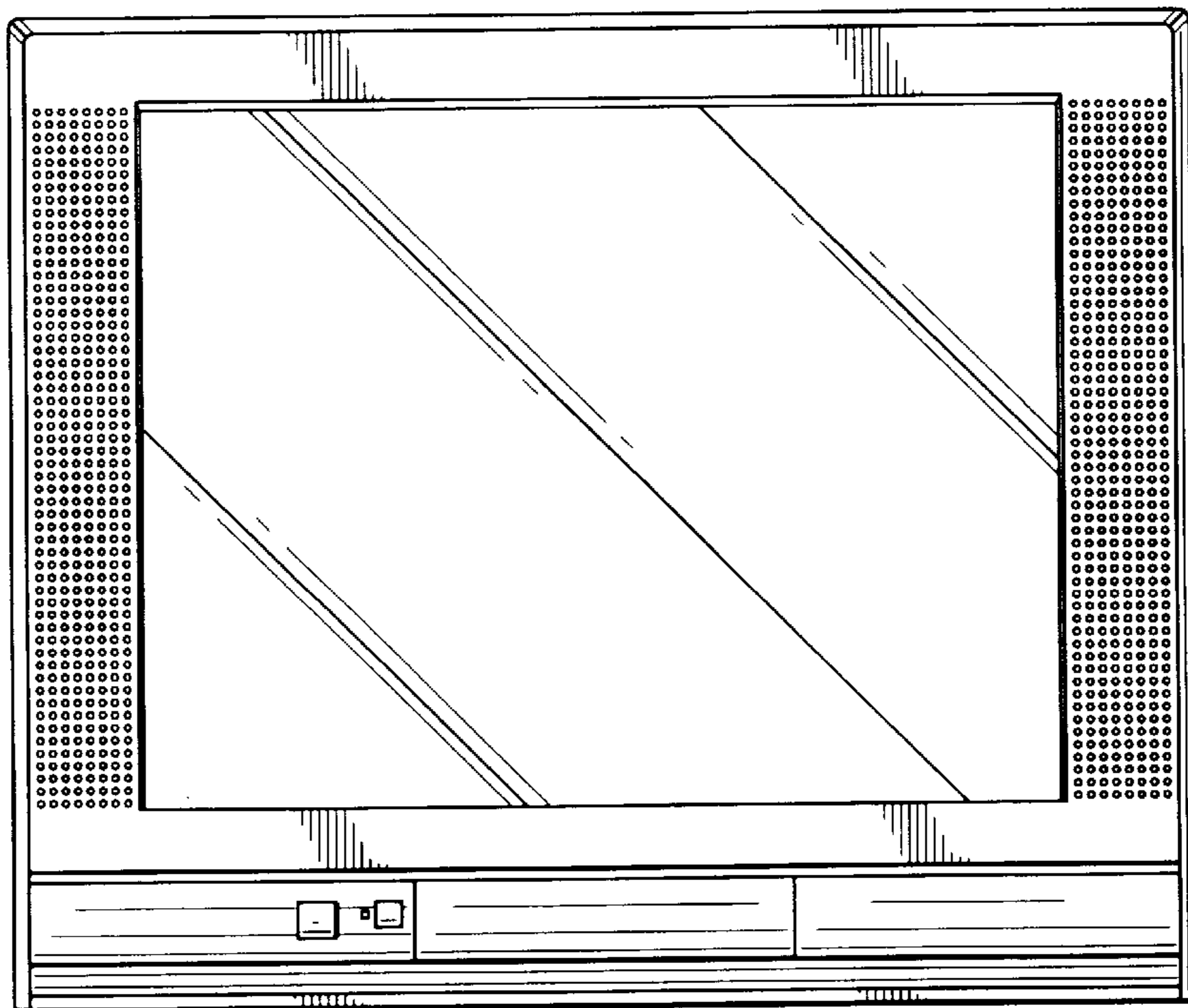


FIG. 3

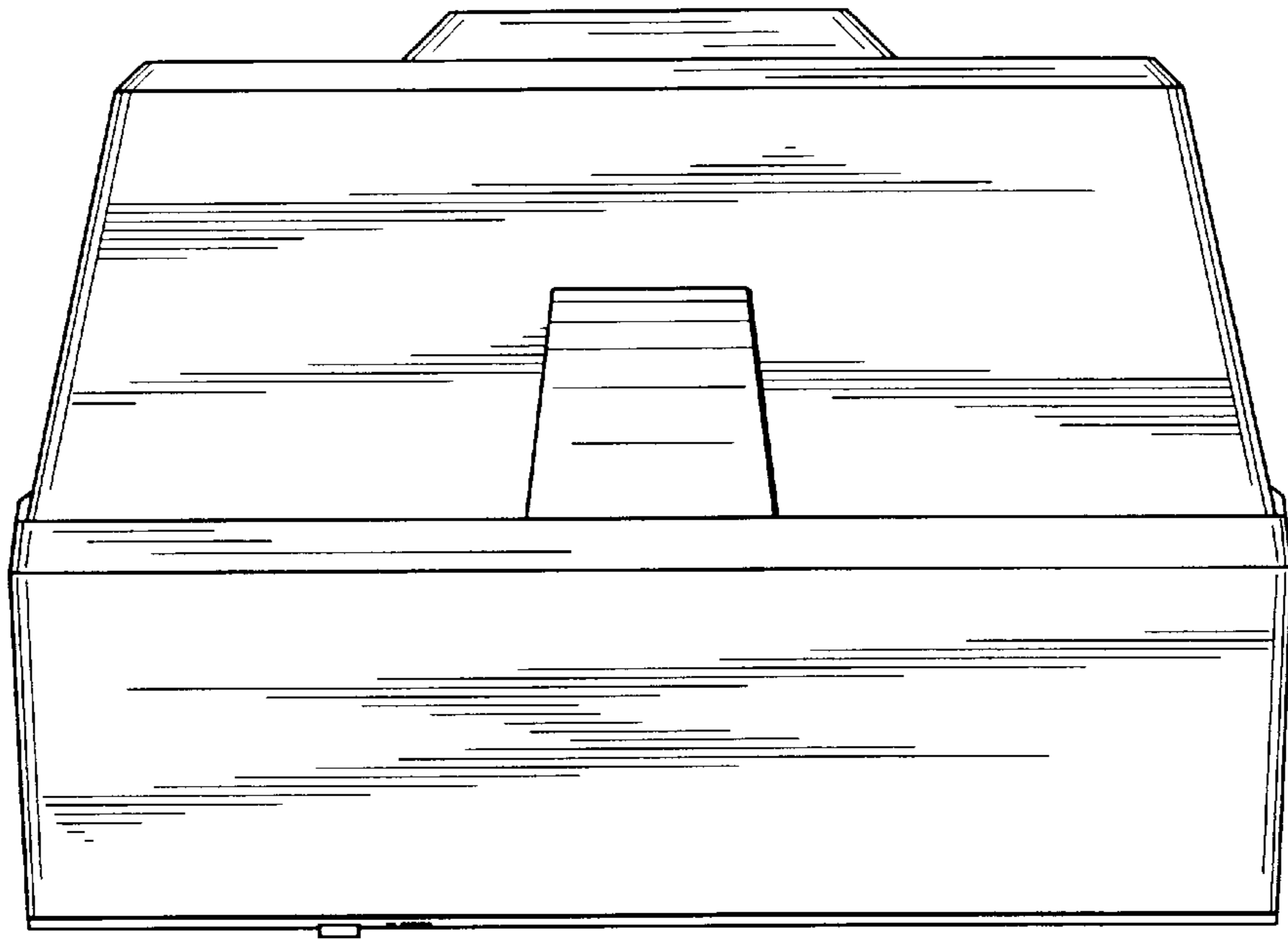


FIG. 4

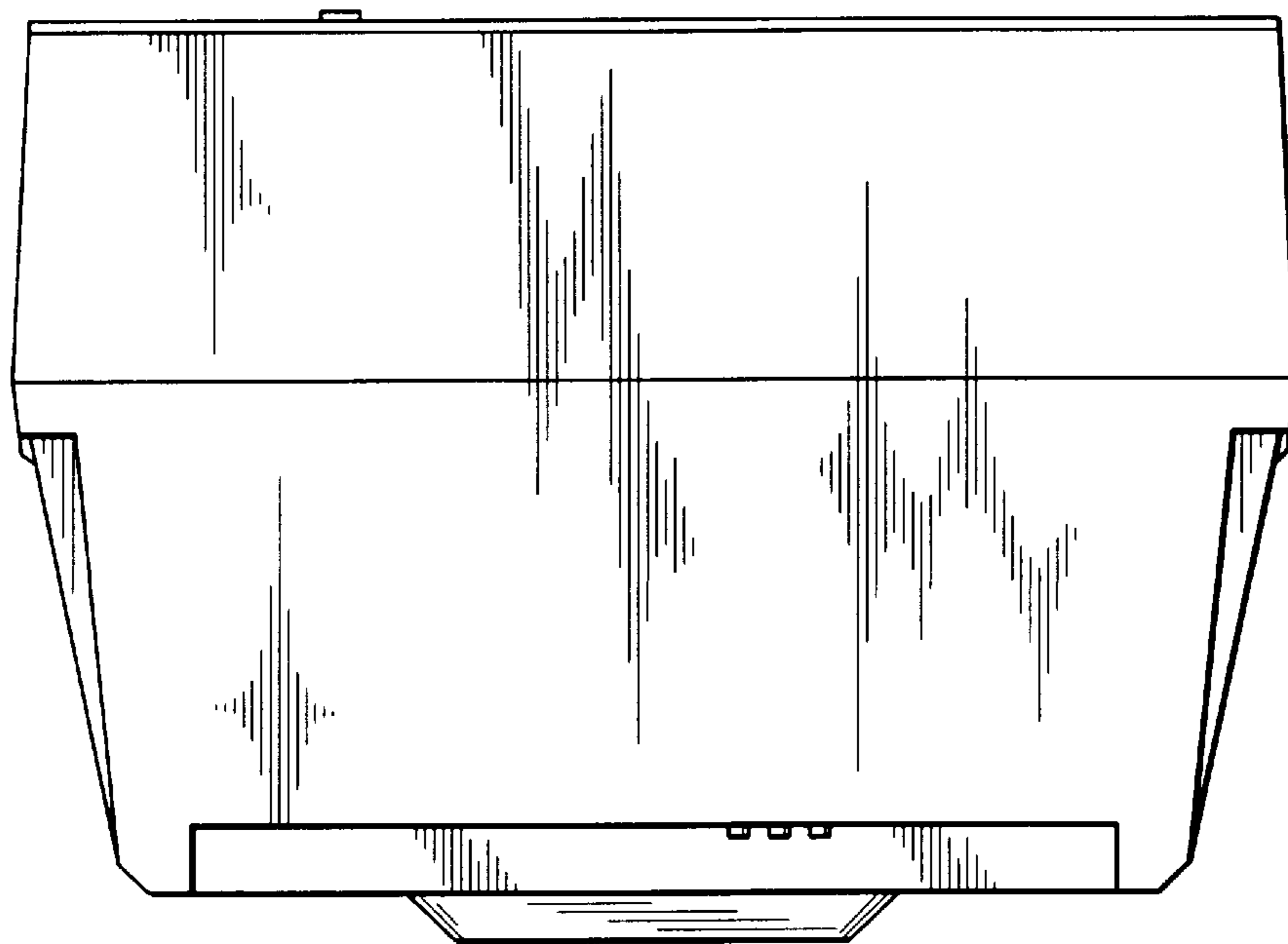


FIG. 5

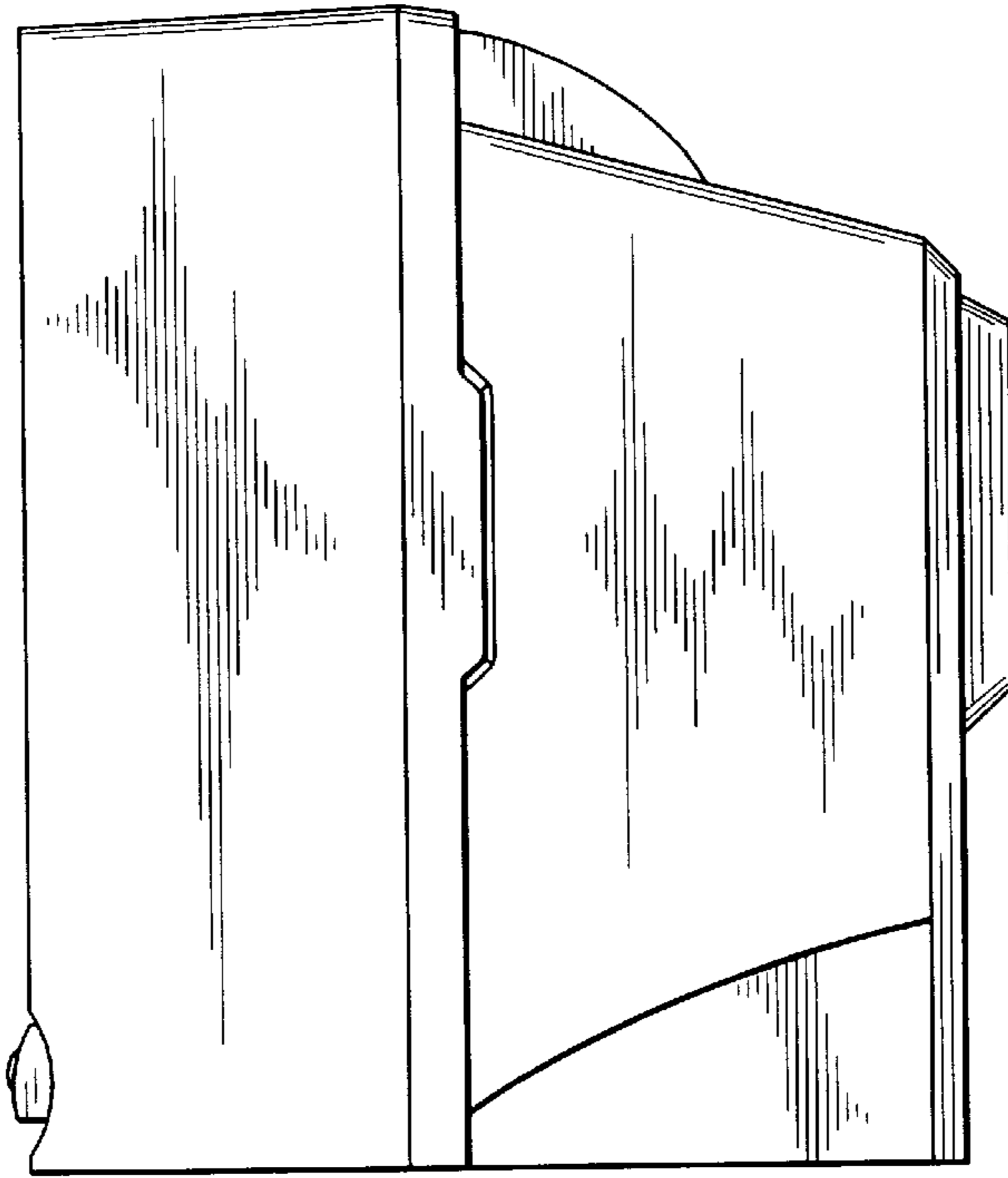


FIG. 6

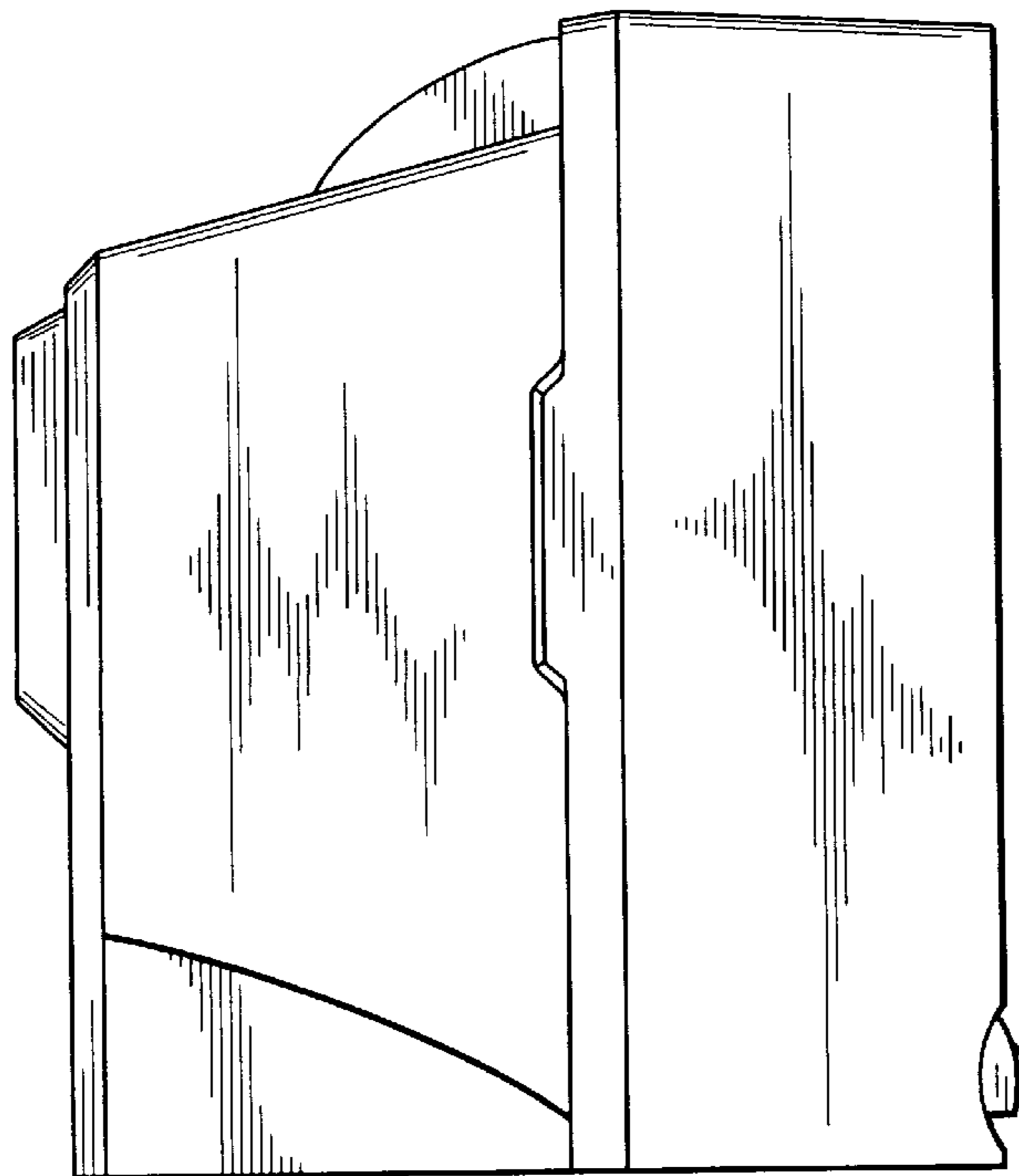


FIG. 7

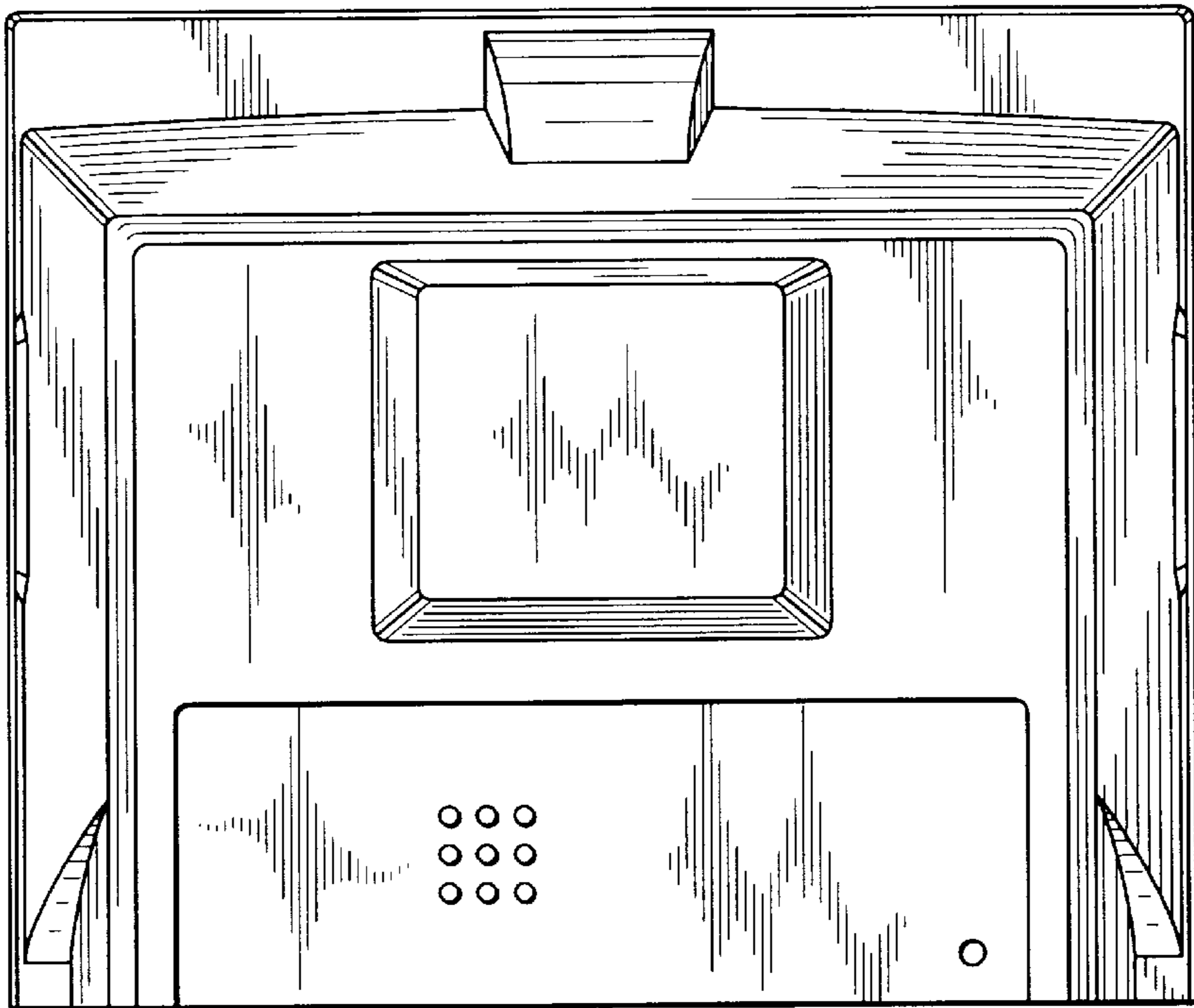


FIG. 8

