



US00D425049S

United States Patent [19] Schilt

[11] Patent Number: Des. 425,049

[45] Date of Patent: ** May 16, 2000

[54] VIDEO-CASSETTE RECORDER LOCK

[75] Inventor: Piet Schilt, Ammerstol, Netherlands

[73] Assignee: Kidco, Inc., Mundelein, Ill.

[**] Term: 14 Years

[21] Appl. No.: 29/094,594

[22] Filed: Oct. 6, 1998

[30] Foreign Application Priority Data

Apr. 7, 1998 [BX] Benelux TM/Des. Off. 74352-01

[51] LOC (7) Cl. 14-99

[52] U.S. Cl. D14/121

[58] Field of Search D14/120, 121,
D14/122, 123, 124, 217, 299; 206/308.2,
313, 387.1, 387.11; 360/131-137, 110,
109, 104, 129, 130.32; 369/291, 292

[56] References Cited

U.S. PATENT DOCUMENTS

- D. 213,783 4/1969 Laybourn D14/121
- D. 285,212 8/1986 Lee D14/121
- D. 290,188 6/1987 Watanabe D14/121

- D. 356,307 3/1995 Schoettle et al. D14/121
- D. 369,159 4/1996 Ghiaey D14/121
- D. 369,809 5/1996 Pines et al. D14/121
- 4,672,497 6/1987 Ueda 360/132
- 4,796,135 1/1989 Oishi 360/130.33
- 4,860,967 8/1989 Meermans 360/130.32
- 5,040,162 8/1991 De Rozarieux et al. 369/292 X
- 5,457,871 10/1995 Wakasugi et al. 360/122 X
- 5,479,309 12/1995 Kato et al. 360/121

Primary Examiner—Prabhakar Deshmukh
Attorney, Agent, or Firm—Piper Marbury Rudnick & Wolfe

[57] CLAIM

The ornamental design for video-cassette recorder lock, as shown and described.

DESCRIPTION

FIG. 1 is a perspective view of a video-cassette recorder lock showing my new design;
FIG. 2 is a top plan view thereof;
FIG. 3 is a left side elevational view thereof;
FIG. 4 is a right side elevational view thereof;
FIG. 5 is a front elevational view thereof;
FIG. 6 is a bottom plan view thereof; and,
FIG. 7 is a rear elevational view thereof.

1 Claim, 2 Drawing Sheets

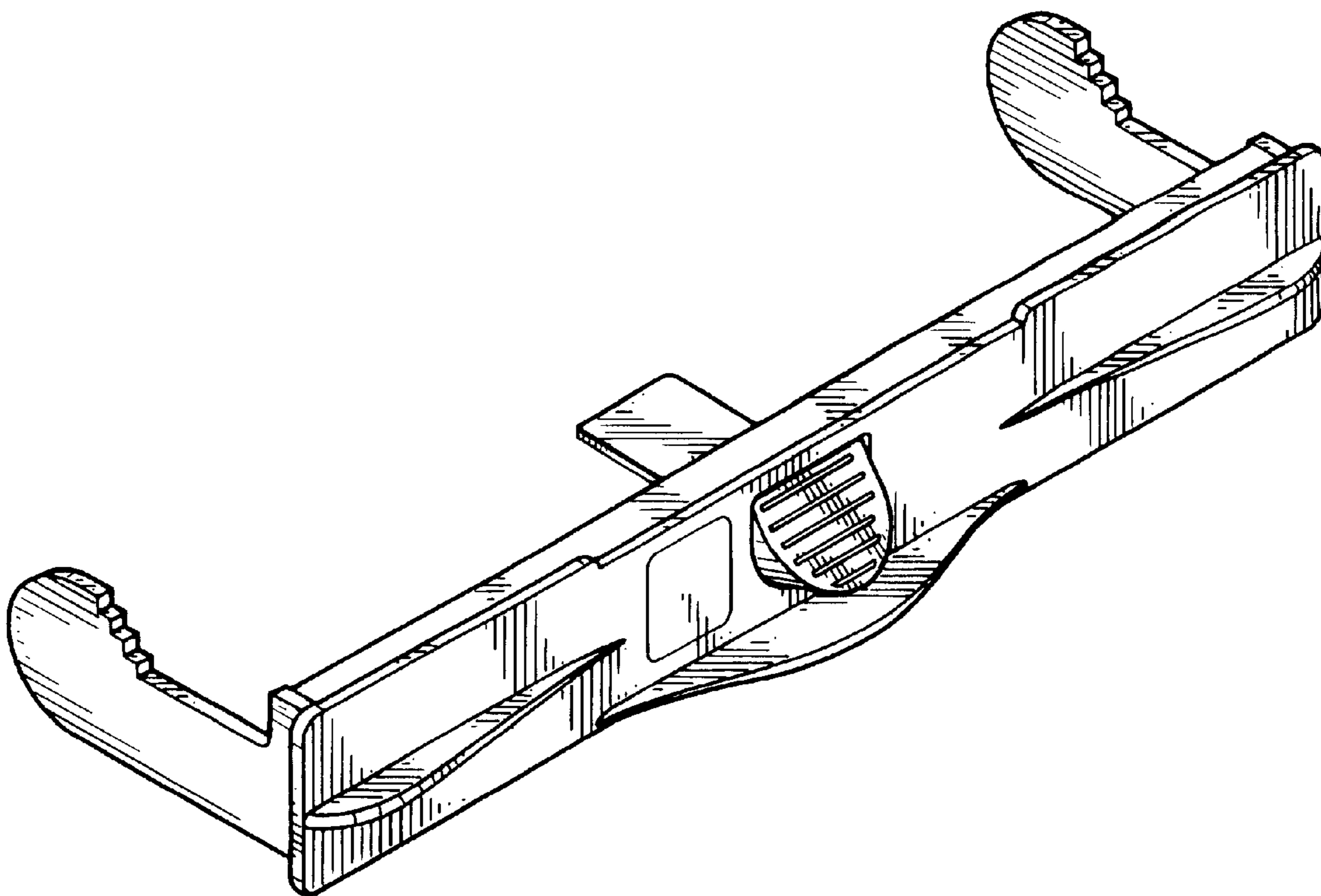


FIG. 1

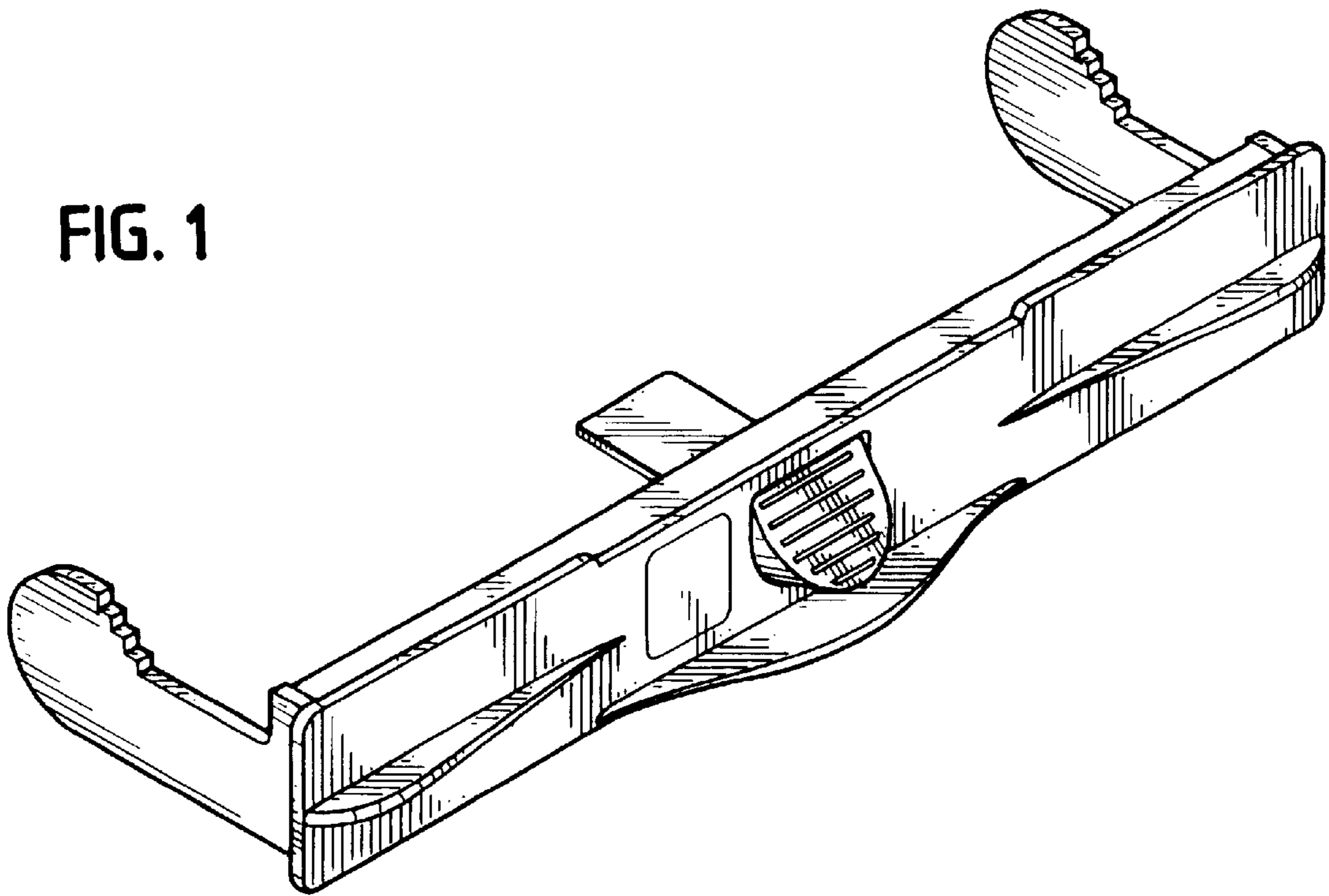


FIG. 2

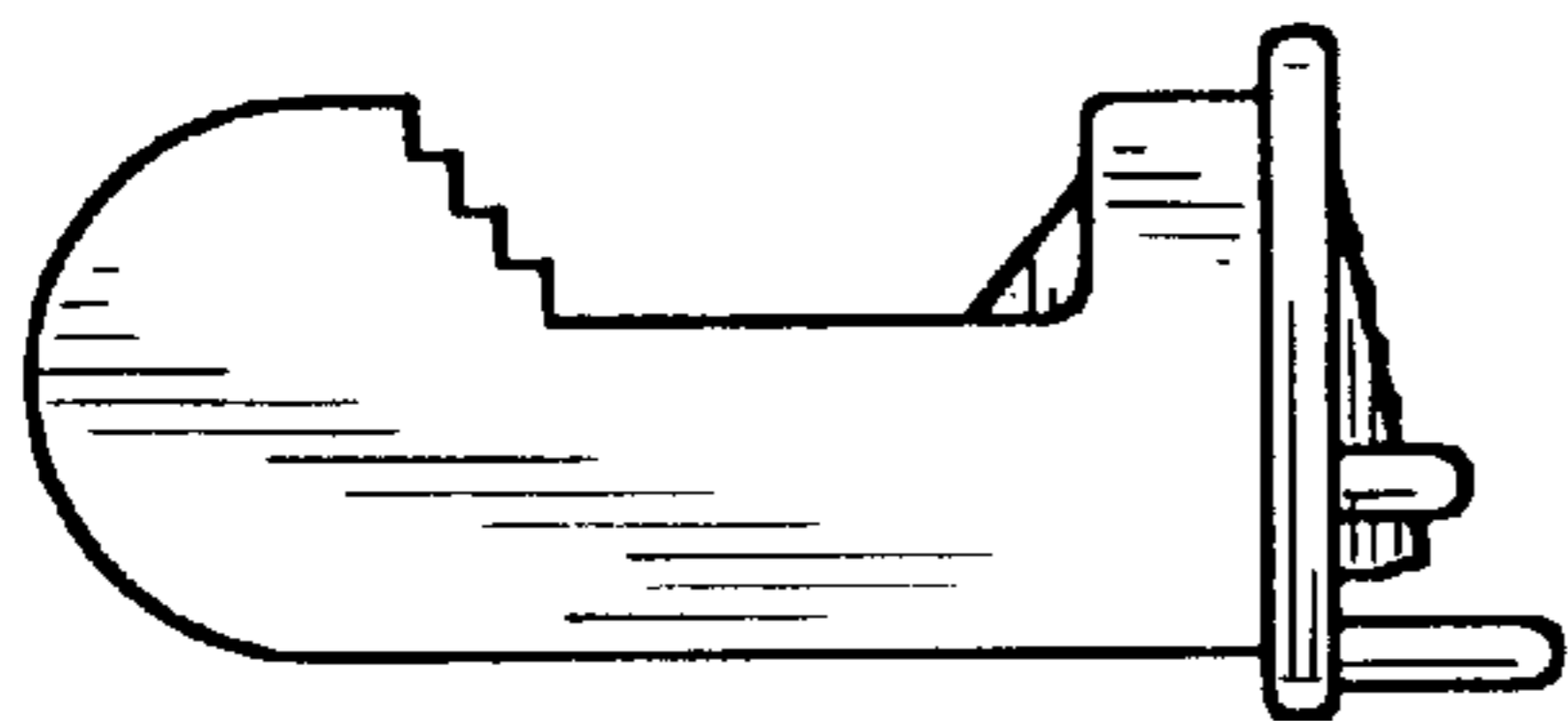
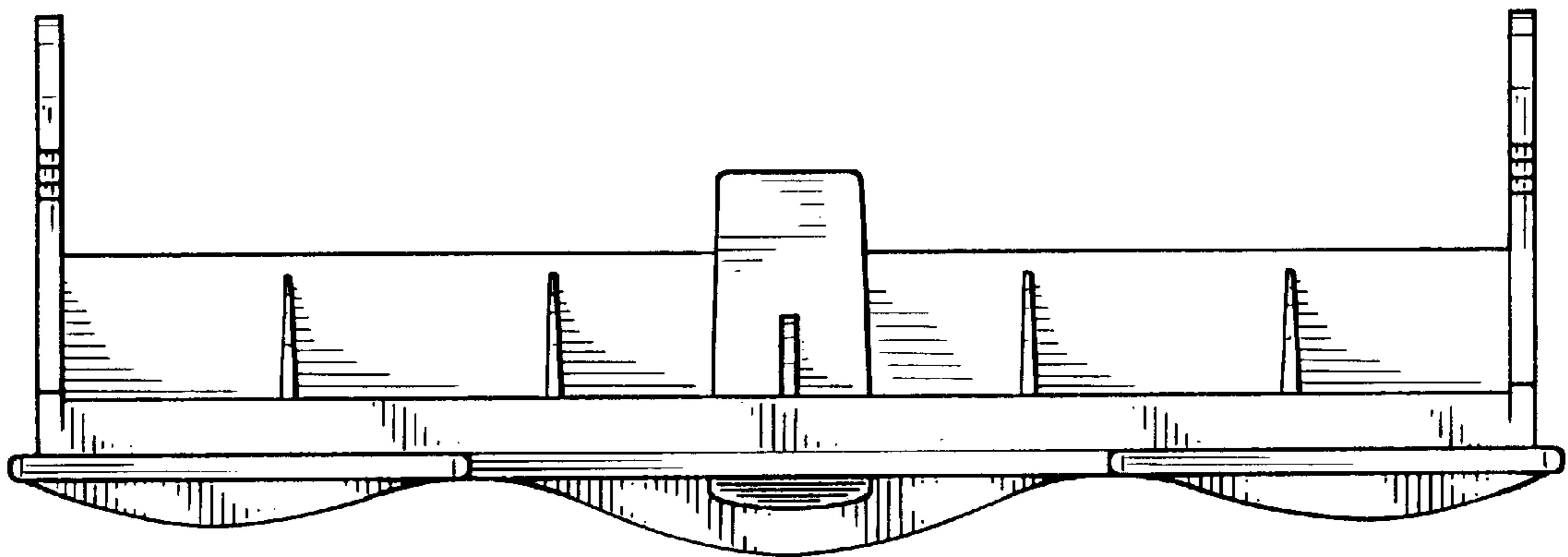


FIG. 3

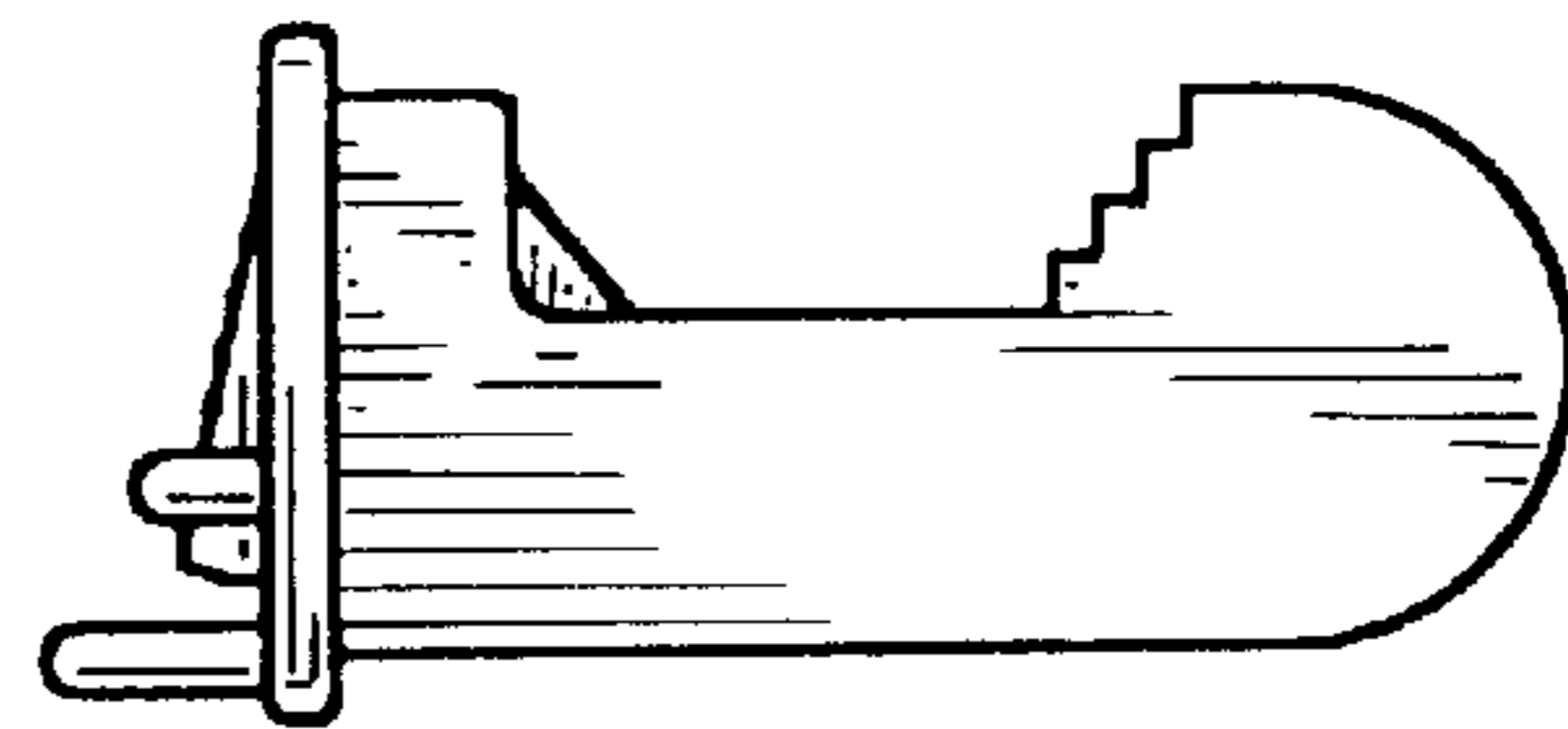


FIG. 4

FIG. 5

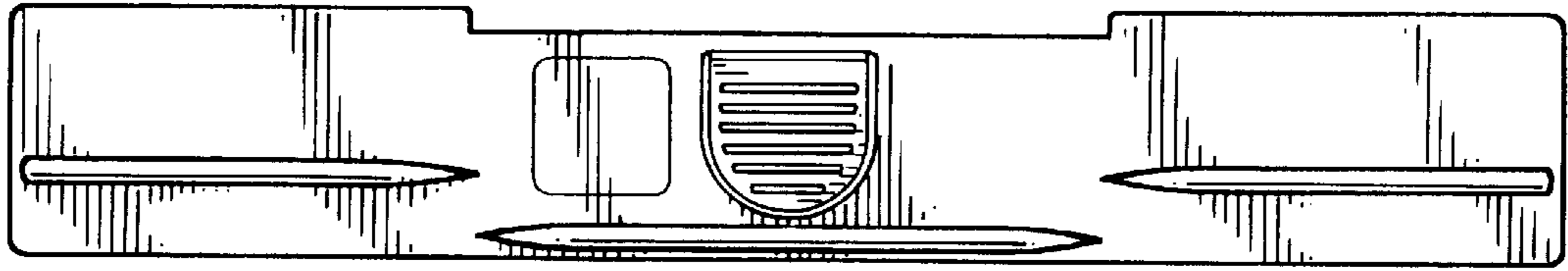


FIG. 6

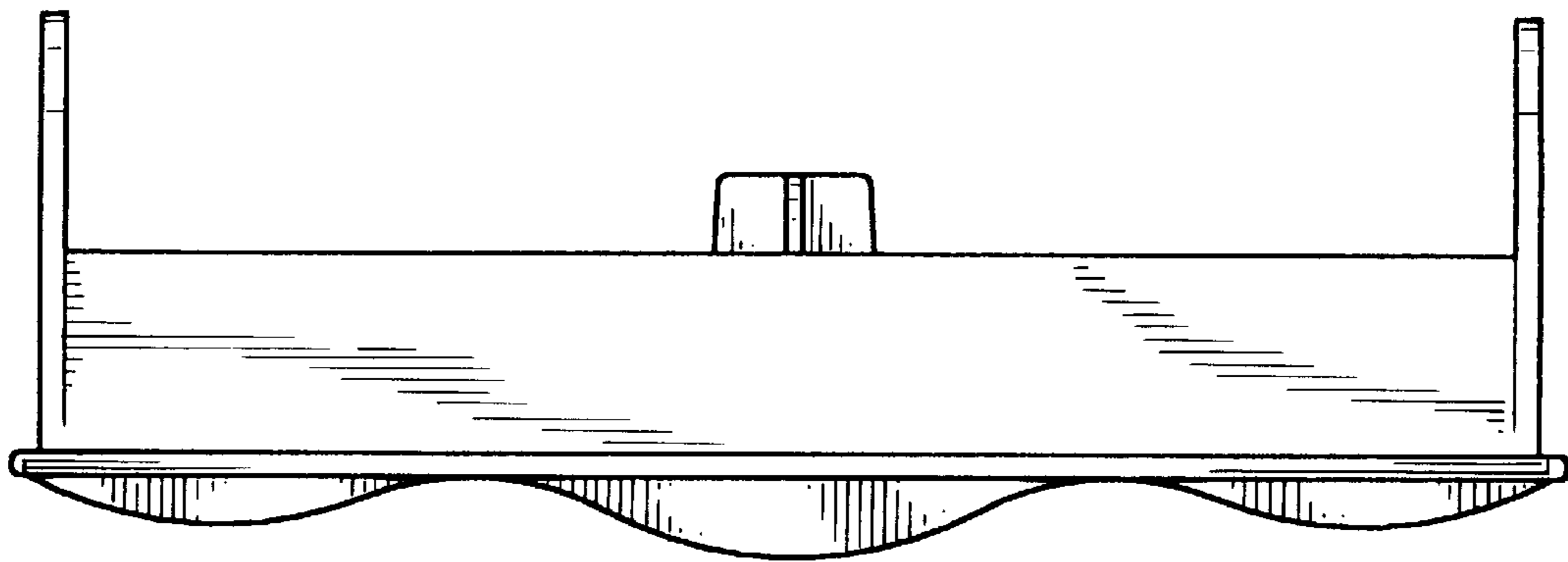


FIG. 7

