



US00D425038S

United States Patent [19] Hodgson

[11] Patent Number: **Des. 425,038**

[45] Date of Patent: **** May 16, 2000**

[54] **WINDOW FOR A COMPUTER DISPLAY SCREEN**

[75] Inventor: **Peter J. Hodgson**, London, United Kingdom

[73] Assignee: **Apple Computer, Inc.**, Cupertino, Calif.

[**] Term: **14 Years**

[21] Appl. No.: **29/101,602**

[22] Filed: **Mar. 4, 1999**

Related U.S. Application Data

[62] Division of application No. 29/072,485, Jun. 18, 1997, Pat. No. Des. 414,758.

[51] **LOC (7) Cl.** **14-02**

[52] **U.S. Cl.** **D14/114.1**

[58] **Field of Search** D14/114, 114.1-114.9; D18/24-33; D19/6; D20/11; D21/324-33; 345/326, 339-58

[56] References Cited

U.S. PATENT DOCUMENTS

D. 296,114	6/1988	Wells-Papanek, et al.	D14/114.2
D. 297,243	8/1988	Wells-Papanek et al.	D18/27
D. 384,051	9/1997	Kodosky	D14/114.3
D. 387,750	12/1997	Kodosky	D14/114.3
D. 388,776	1/1998	Zhang et al.	D14/114.1
D. 391,559	3/1998	Faris et al.	D14/114.1
D. 391,947	3/1998	Faris et al.	D14/114.2
D. 392,963	3/1998	Coleman	D14/114.2
D. 393,635	4/1998	Coleman	D14/114.2
D. 402,284	12/1998	Coleman	D14/114.2
D. 404,385	1/1999	Hodgson	D14/114.2
D. 406,122	2/1999	Hodgson	D14/114.2
D. 406,123	2/1999	Hodgson	D14/114.2
5,140,677	8/1992	Fleming et al.	395/159

5,202,828	4/1993	Vertelney et al.	364/419
5,299,307	3/1994	Young	395/161
5,388,202	2/1995	Squires et al.	395/157
5,450,539	9/1995	Ruben	395/155
5,544,305	8/1996	Ohmaye et al.	395/161
5,596,691	1/1997	Good et al.	395/140
5,600,778	2/1997	Swanson et al.	395/333
5,627,954	5/1997	McFarland	395/139
5,634,100	5/1997	Capps	395/209
5,634,102	5/1997	Capps	395/334
5,652,876	7/1997	Ashe et al.	395/500
5,664,128	9/1997	Bauer	345/334
5,669,005	9/1997	Curbow et al.	395/777
5,710,894	1/1998	Maulsby et al.	395/326

OTHER PUBLICATIONS

Claris MacDraw II, Claris Corporation, 1988, p. 32.
Macintosh Graphics, 1985, pp. 49-50 and 107-108.
Inside Macintosh, vol. 1, 1985, pp. 272-274 and 297-300.

Primary Examiner—M. H. Tung
Attorney, Agent, or Firm—Nancy R. Simon

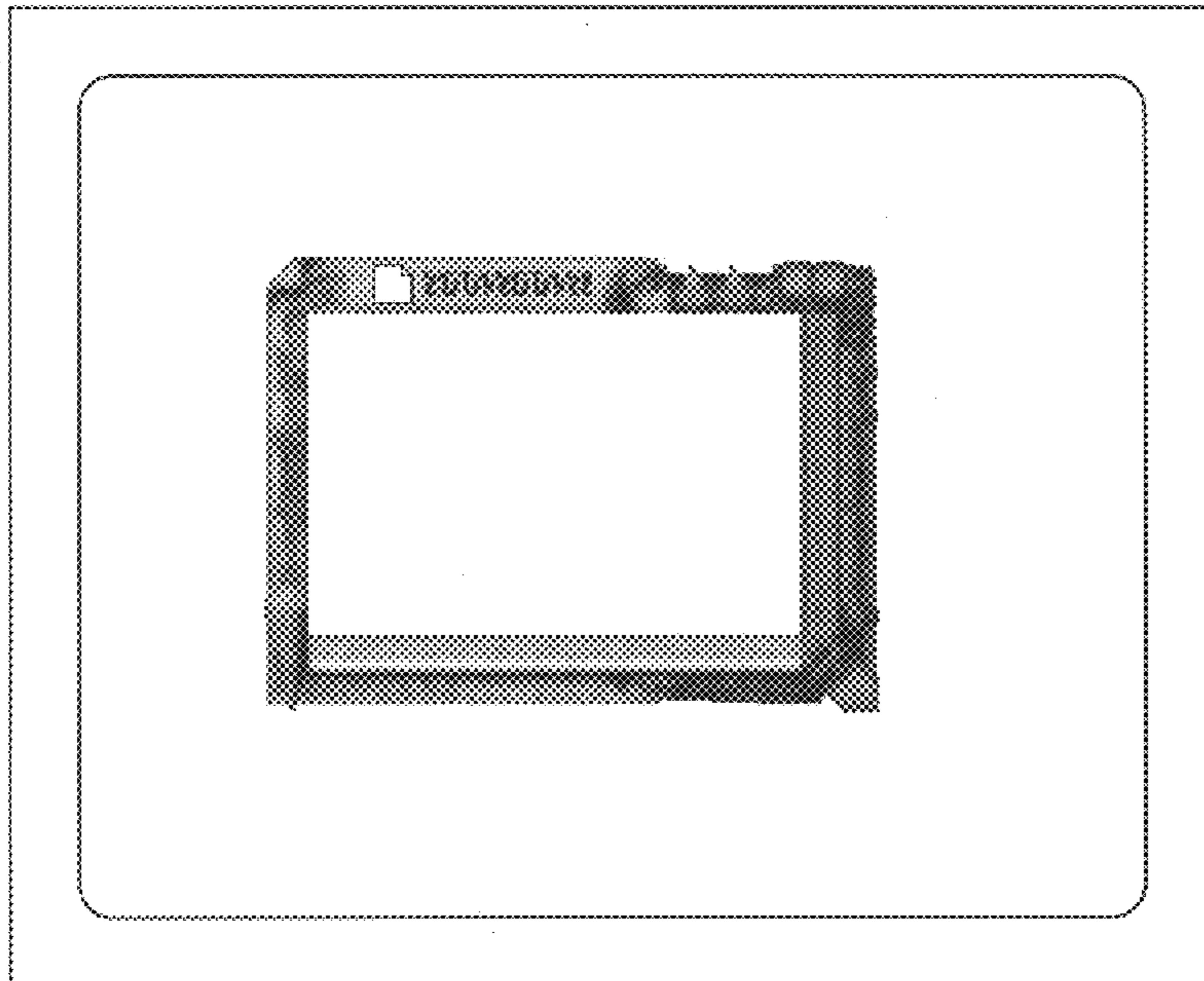
[57] CLAIM

The ornamental design for a window for a computer display, as shown and described.

DESCRIPTION

FIG. 1 is a front view of a window for a computer display screen;
FIG. 2 is a front view of a second embodiment thereof;
FIG. 3 is a front view of a third embodiment thereof;
FIG. 4 is a front view of a fourth embodiment thereof;
FIG. 5 is a front view of a fifth embodiment thereof;
FIG. 6 is a front view of a sixth embodiment thereof;
FIG. 7 is a front view of a seventh embodiment thereof;
FIG. 8 is a front view of an eighth embodiment thereof;
FIG. 9 is a front view of a ninth embodiment thereof; and,
FIG. 10 is a front view of a tenth embodiment thereof.

1 Claim, 10 Drawing Sheets



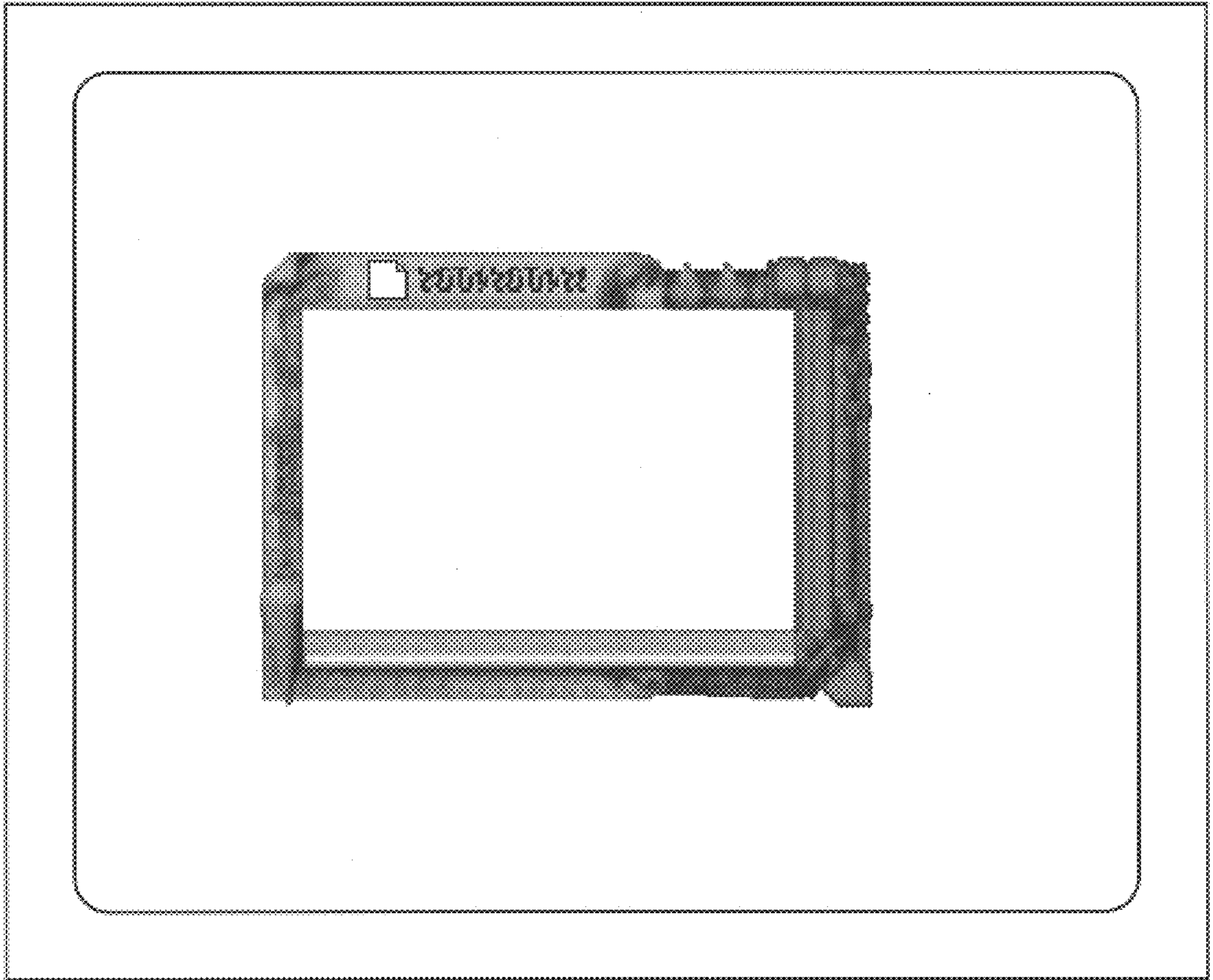


FIG. 1

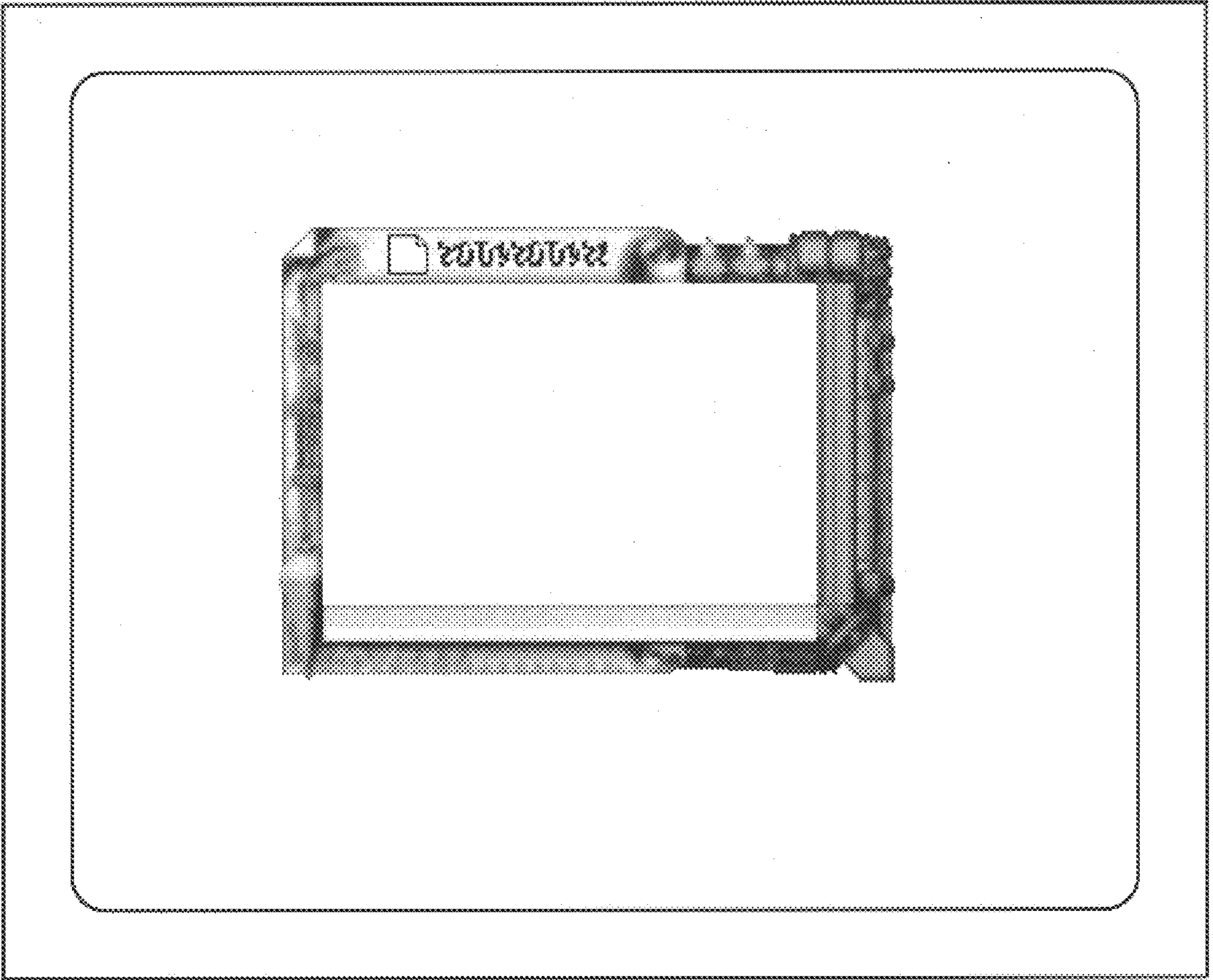


FIG. 2

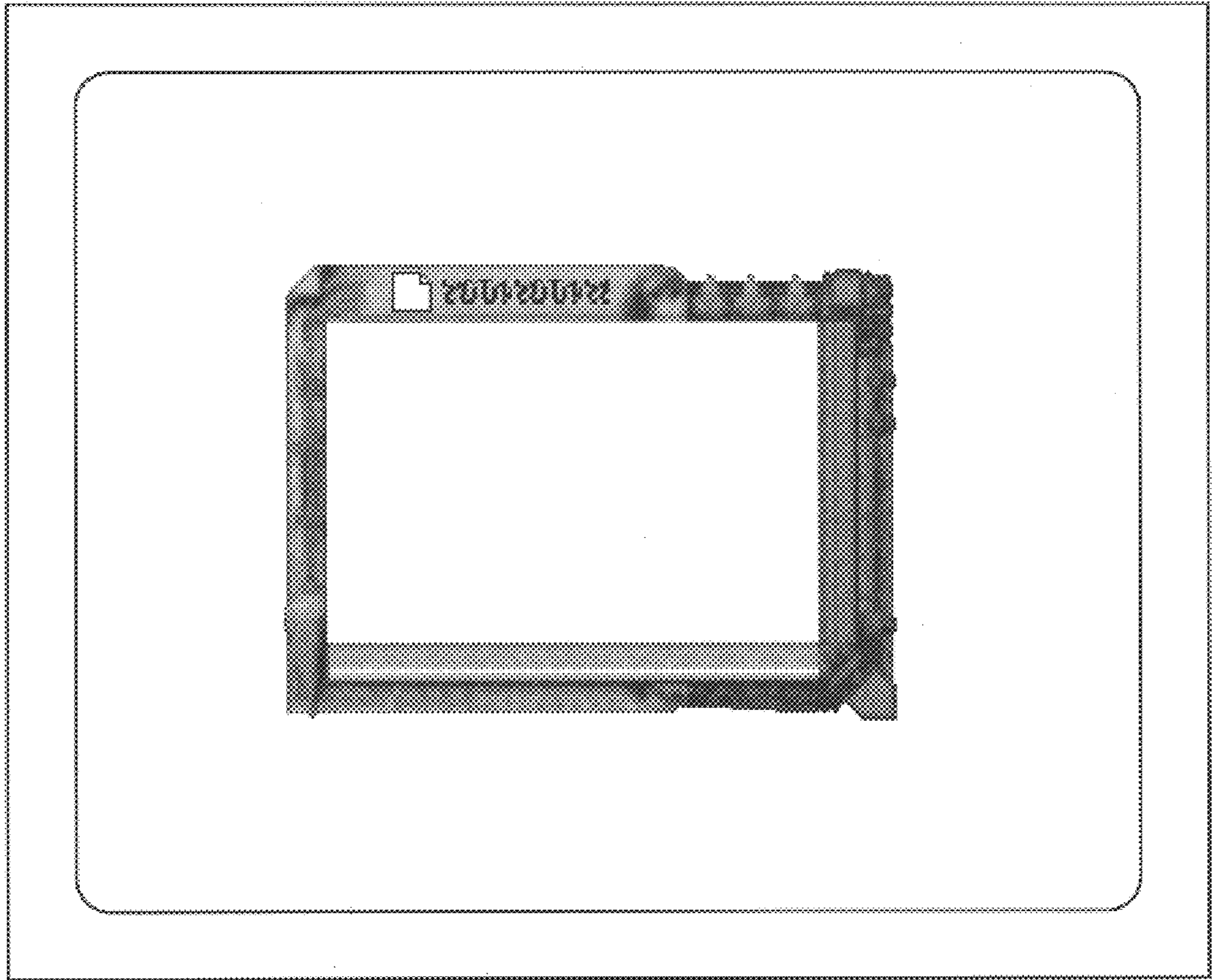


FIG. 3

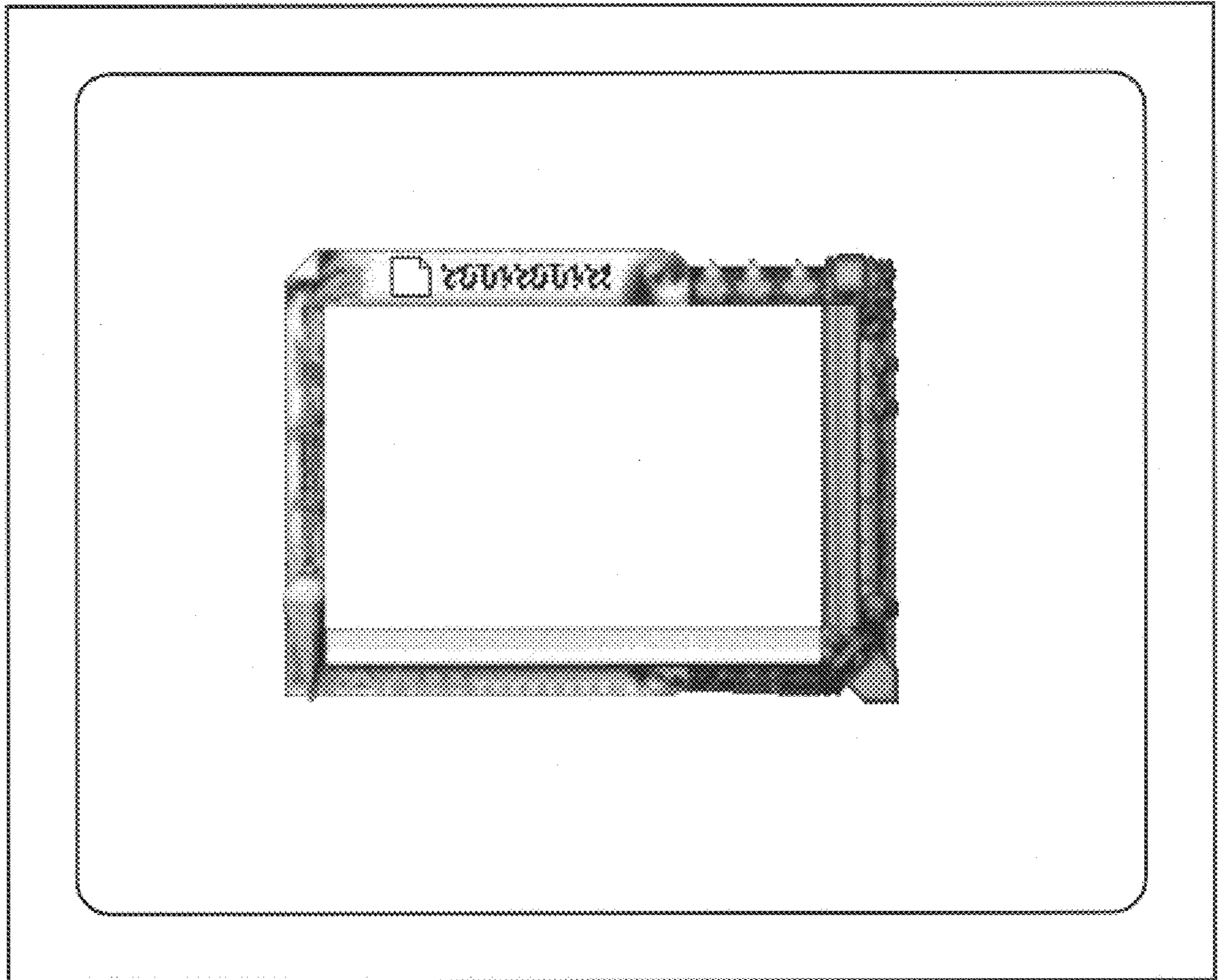


FIG. 4

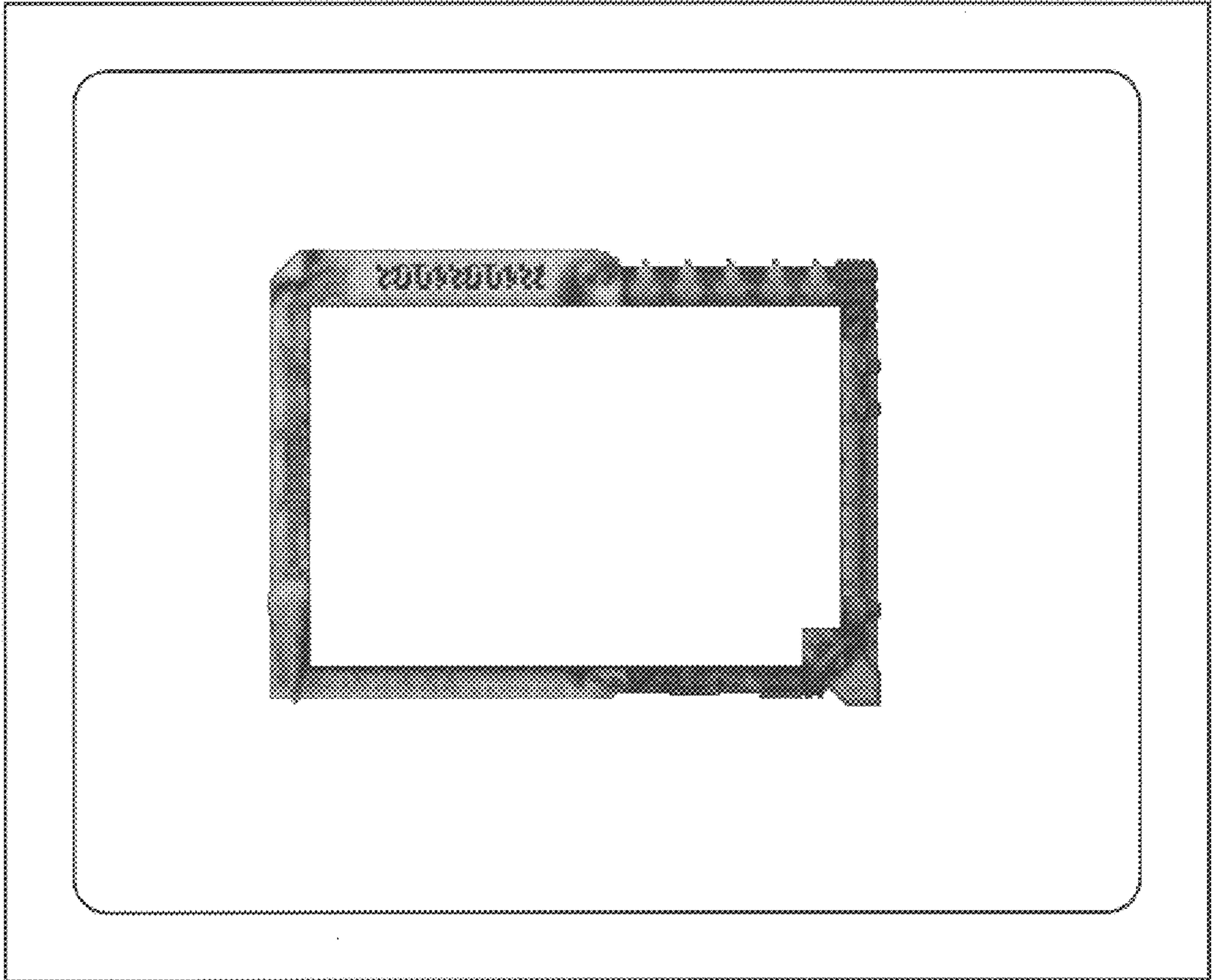


FIG. 5

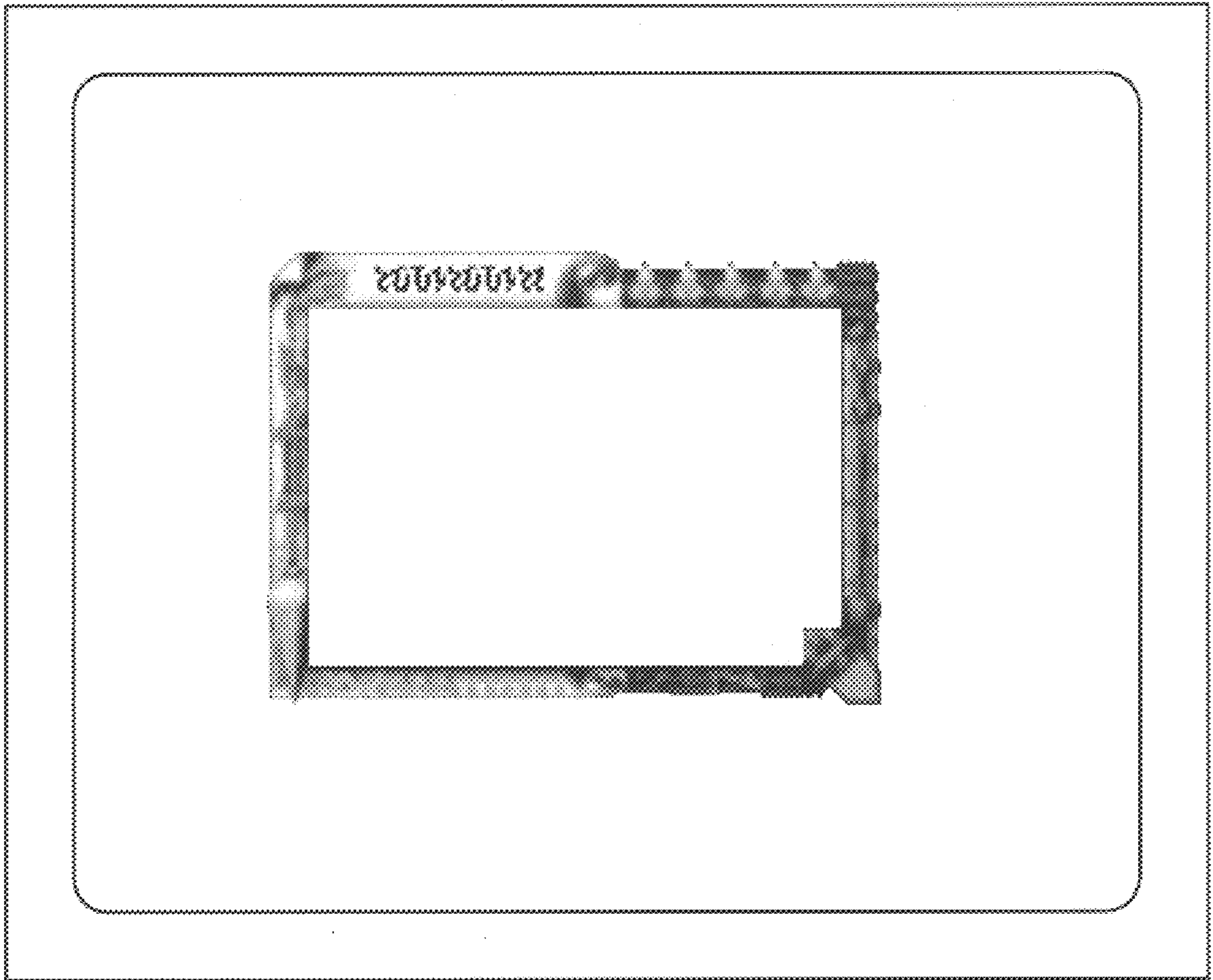


FIG. 6

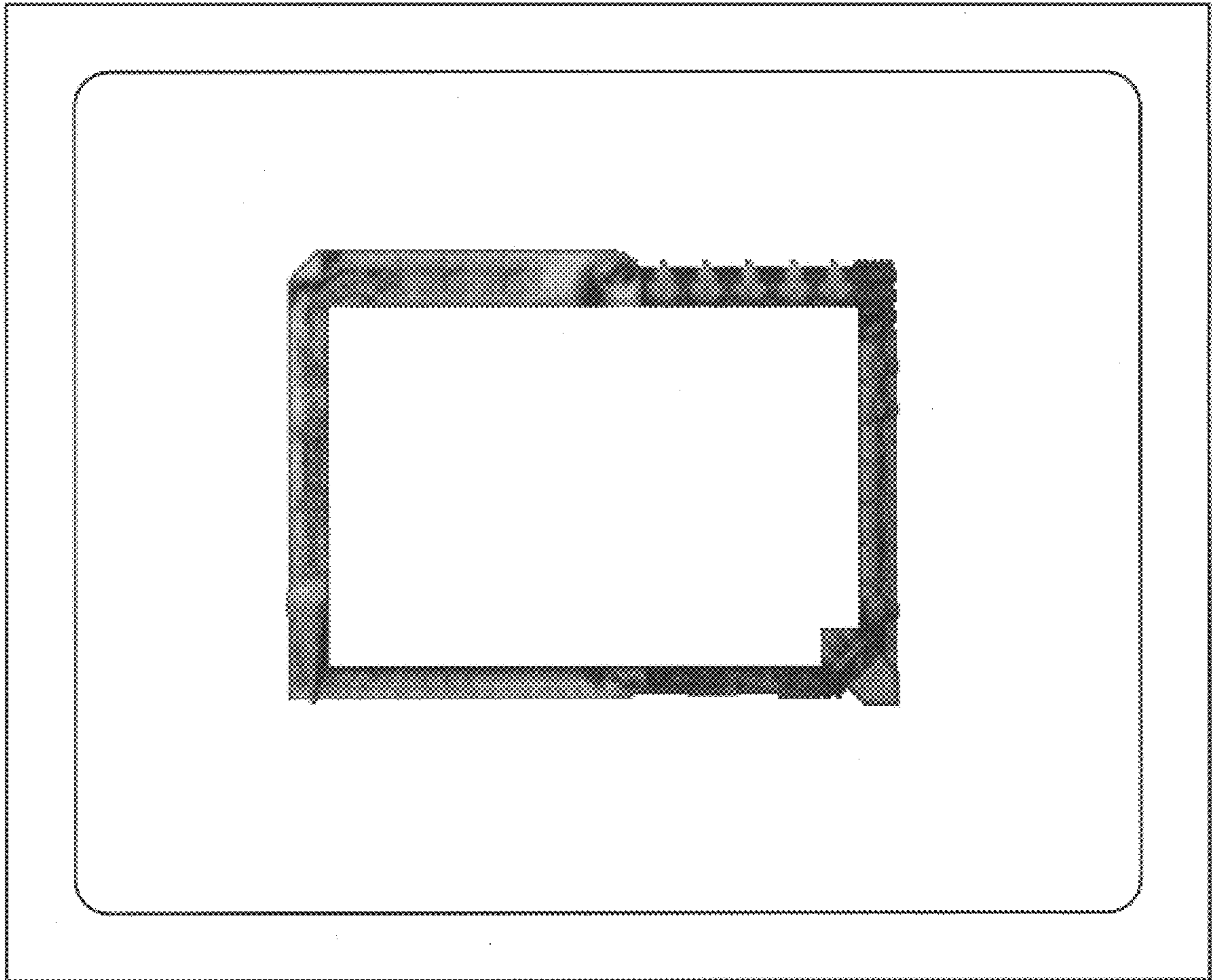


FIG. 7

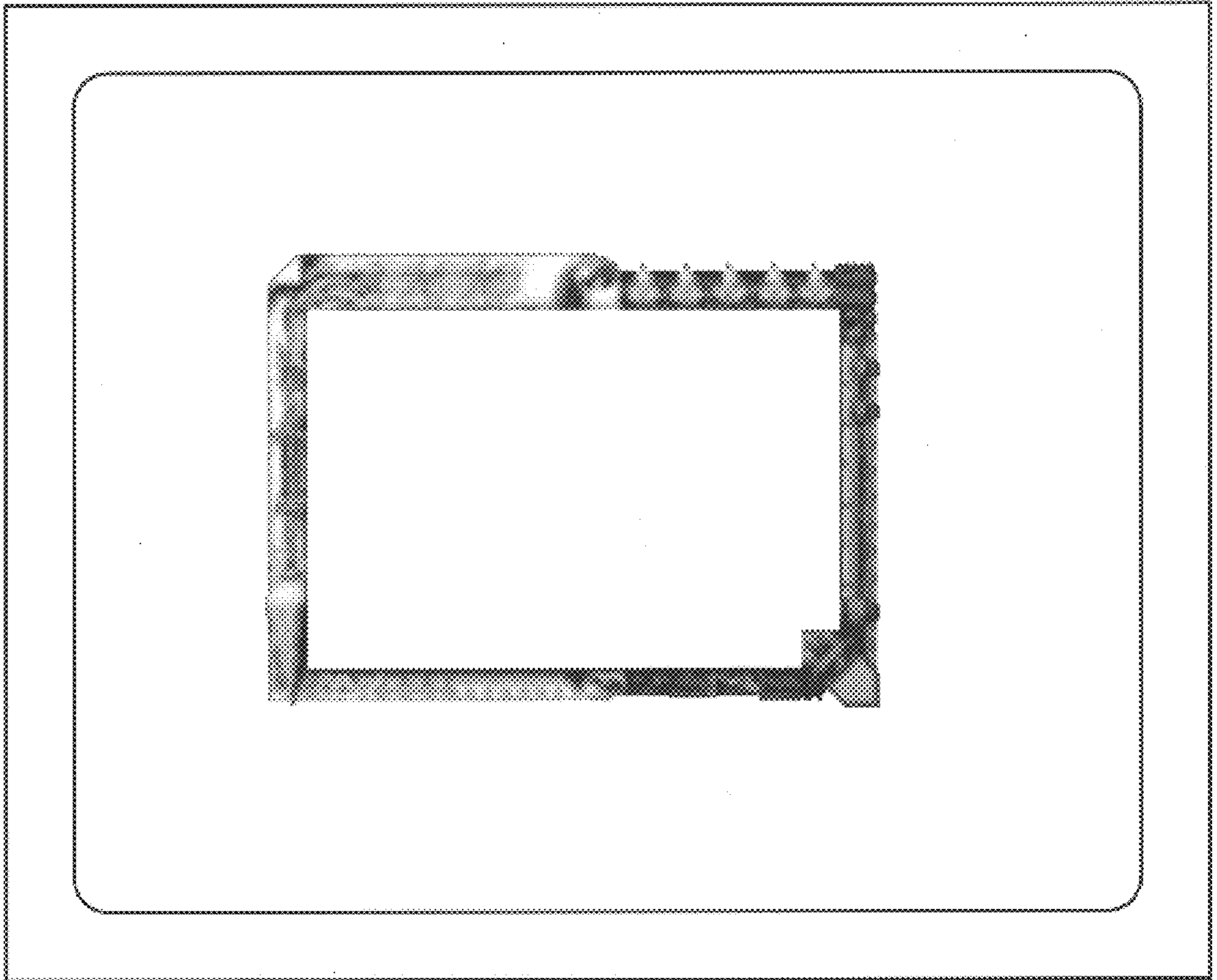


FIG. 8

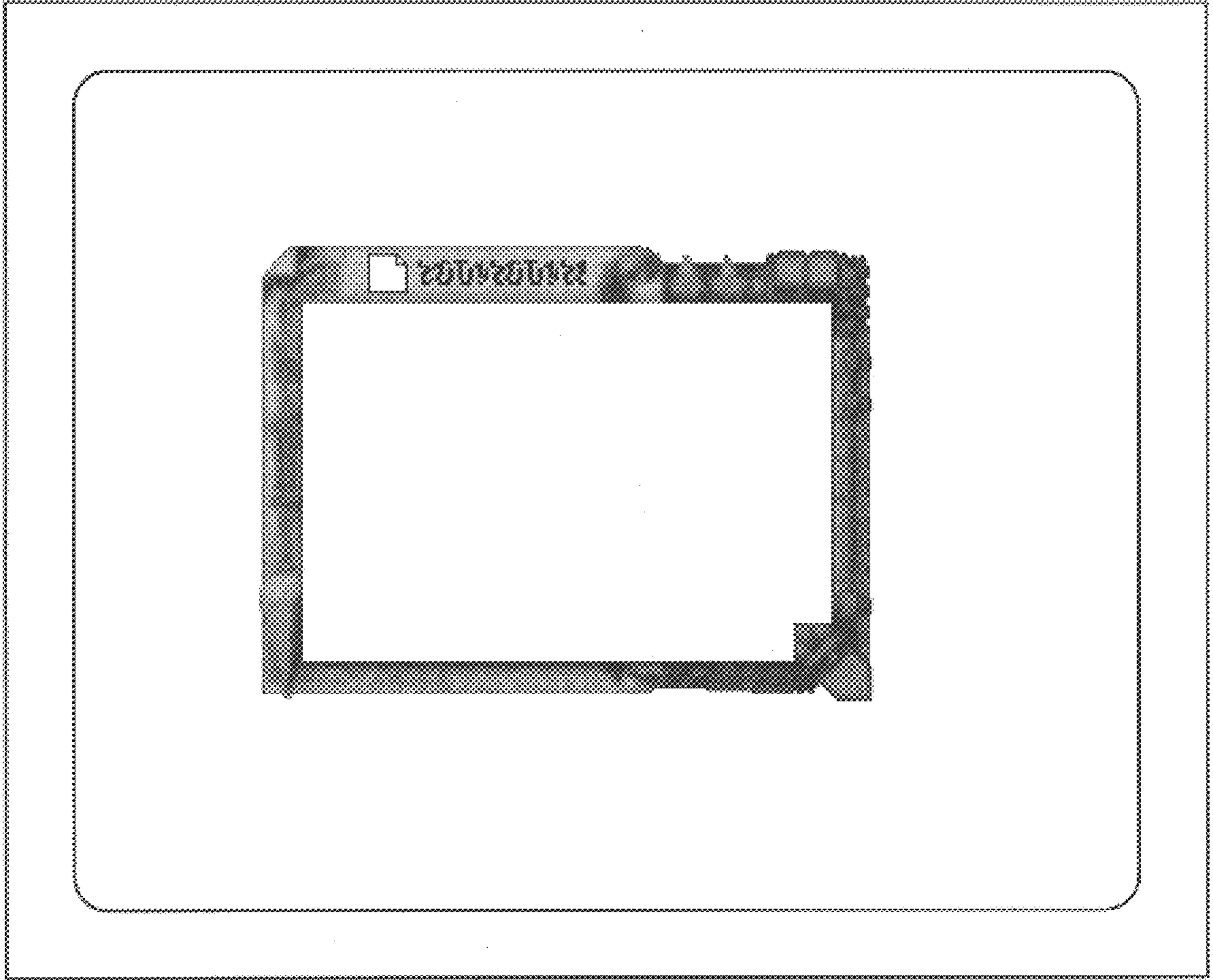


FIG. 9

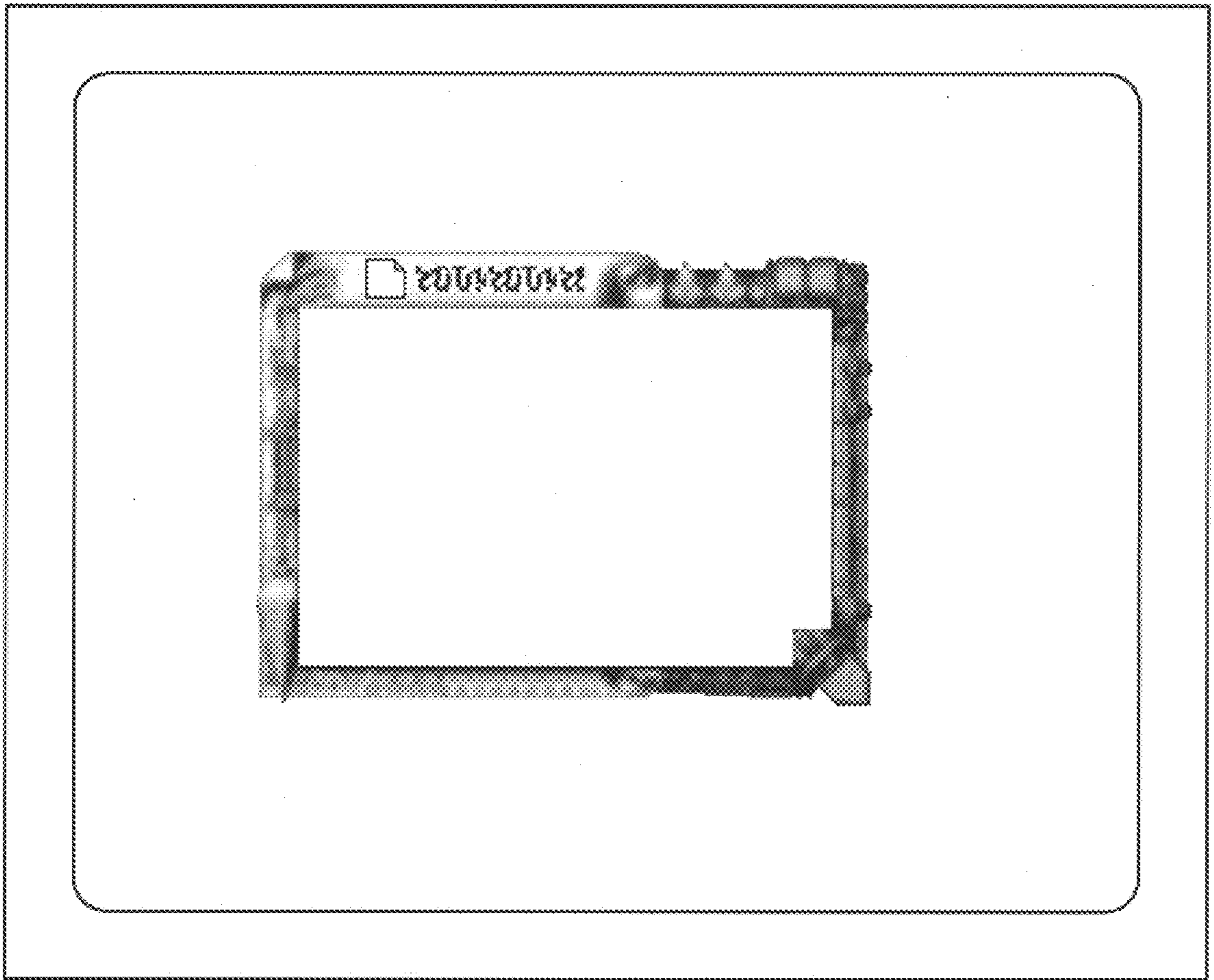


FIG. 10