



US00D425037S

# United States Patent [19]

Nash et al.

[11] Patent Number: **Des. 425,037**

[45] Date of Patent: **\*\* May 16, 2000**

[54] **LIBRARY MEDIA CHECKOUT STATION**

[75] Inventors: **James E. Nash**, Bloomington; **Perry S. Dotterman**, Maplewood, both of Minn.

[73] Assignee: **3M Innovative Properties Company**, St. Paul, Minn.

[\*\*] Term: **14 Years**

[21] Appl. No.: **29/086,345**

[22] Filed: **Apr. 10, 1998**

[51] **LOC (7) Cl.** ..... **14-02**

[52] **U.S. Cl.** ..... **D14/114**

[58] **Field of Search** ..... D14/105, 114,  
D14/116; D18/4; D16/221, 232; 335/284;  
235/384, 7 R, 12, 385

[56] **References Cited**

**U.S. PATENT DOCUMENTS**

D. 364,386	11/1995	Bramlett et al. ....	D14/105
D. 367,663	3/1996	Hinman et al. ....	D16/232
D. 377,342	1/1997	Lin .....	D14/116 X
D. 377,366	1/1997	Sato .....	D14/105 X
D. 378,916	4/1997	Kanno et al. ....	D14/116

D. 391,601	3/1998	Kanaoka .....	D14/105 X
D. 397,719	9/1998	Masuda .....	D14/105 X
5,500,640	3/1996	Zhou et al. ....	340/572

**OTHER PUBLICATIONS**

Brochure entitled "Express Self-Service Check-Out Station for Increased Library Productivity and Service" by Knogo Corporation; Cat. #17EXP-Feb. 1994 USA.

*Primary Examiner*—M. H. Tung  
*Attorney, Agent, or Firm*—Peter L. Olson

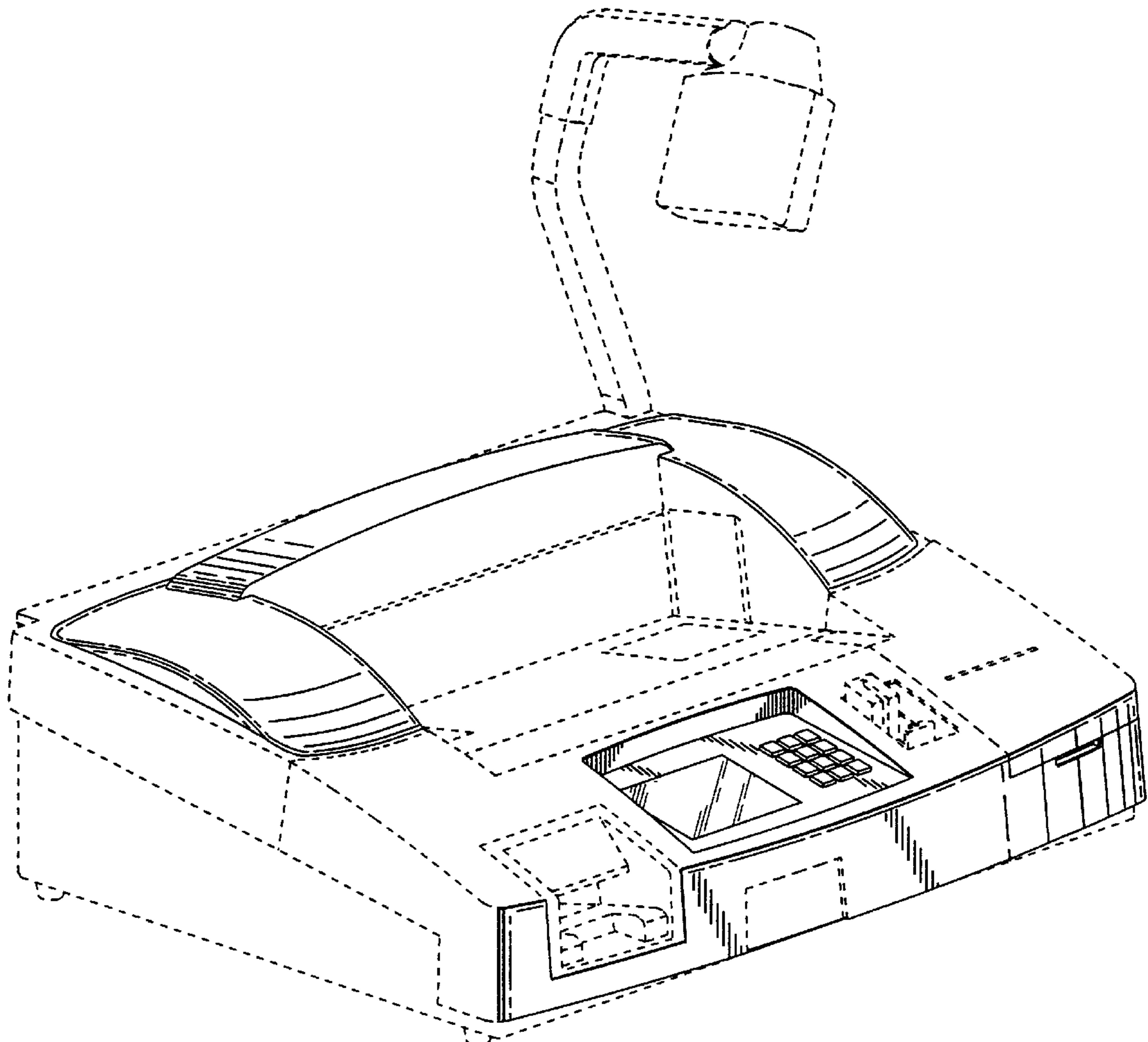
[57] **CLAIM**

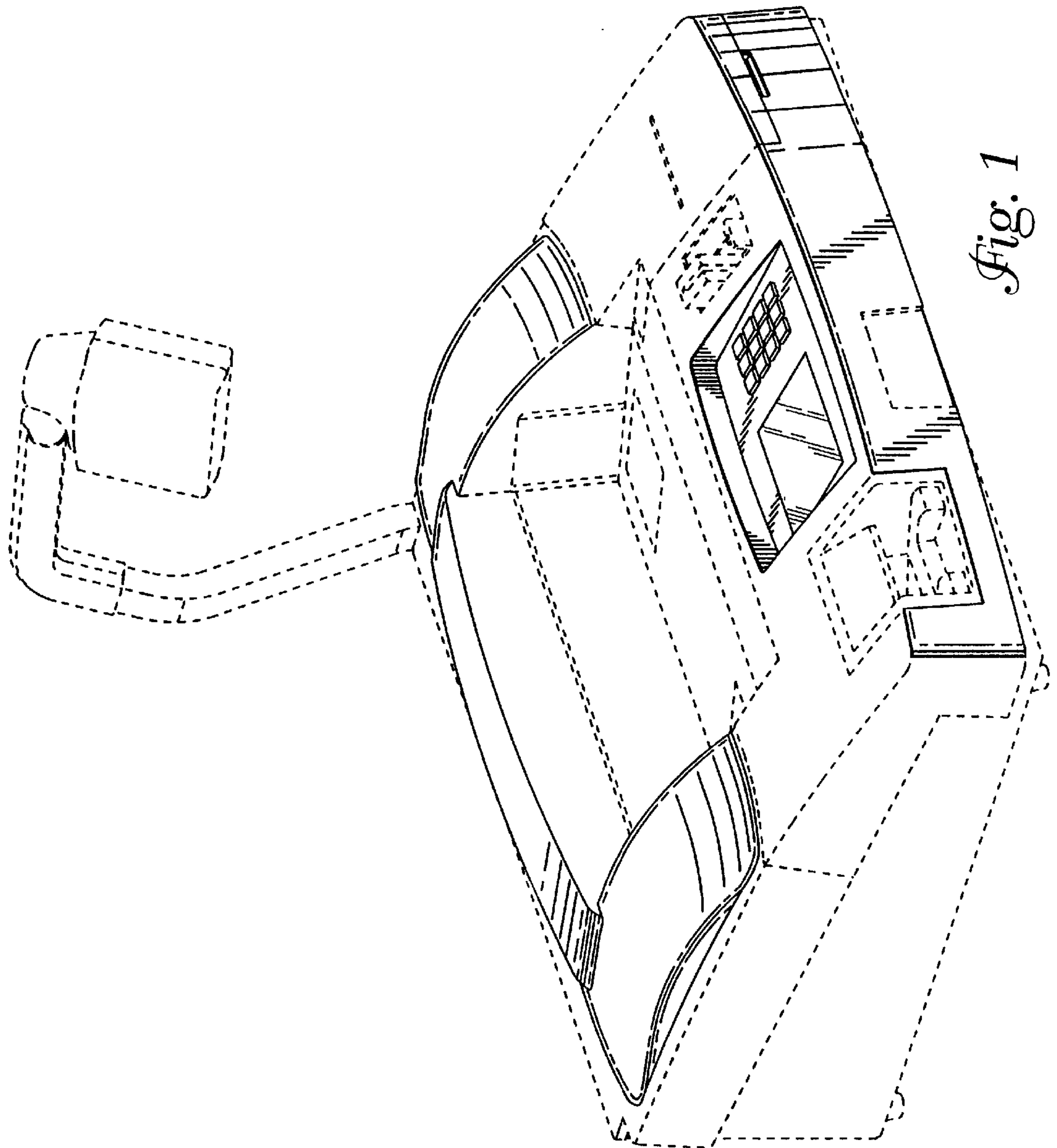
The ornamental design for a library media checkout station, as shown and described.

**DESCRIPTION**

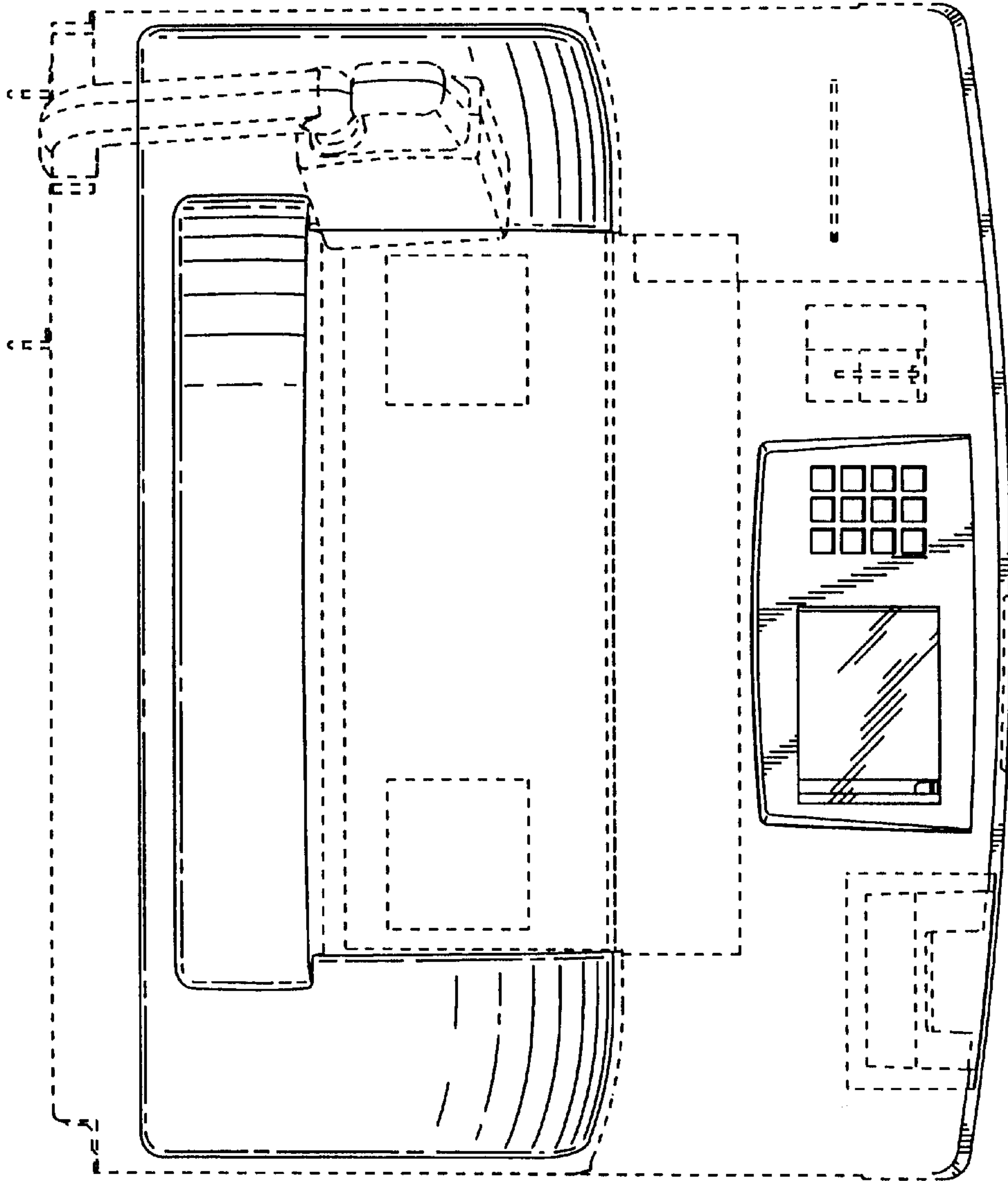
FIG. 1 is a perspective view of a library media checkout station showing our new design; FIG. 2 is a top plan view thereof; FIG. 3 is a bottom plan view thereof; FIG. 4 is a front plan view thereof; FIG. 5 is a back plan view thereof; FIG. 6 is a left side plan view thereof; and, FIG. 7 is a right side plan view thereof.

**1 Claim, 7 Drawing Sheets**

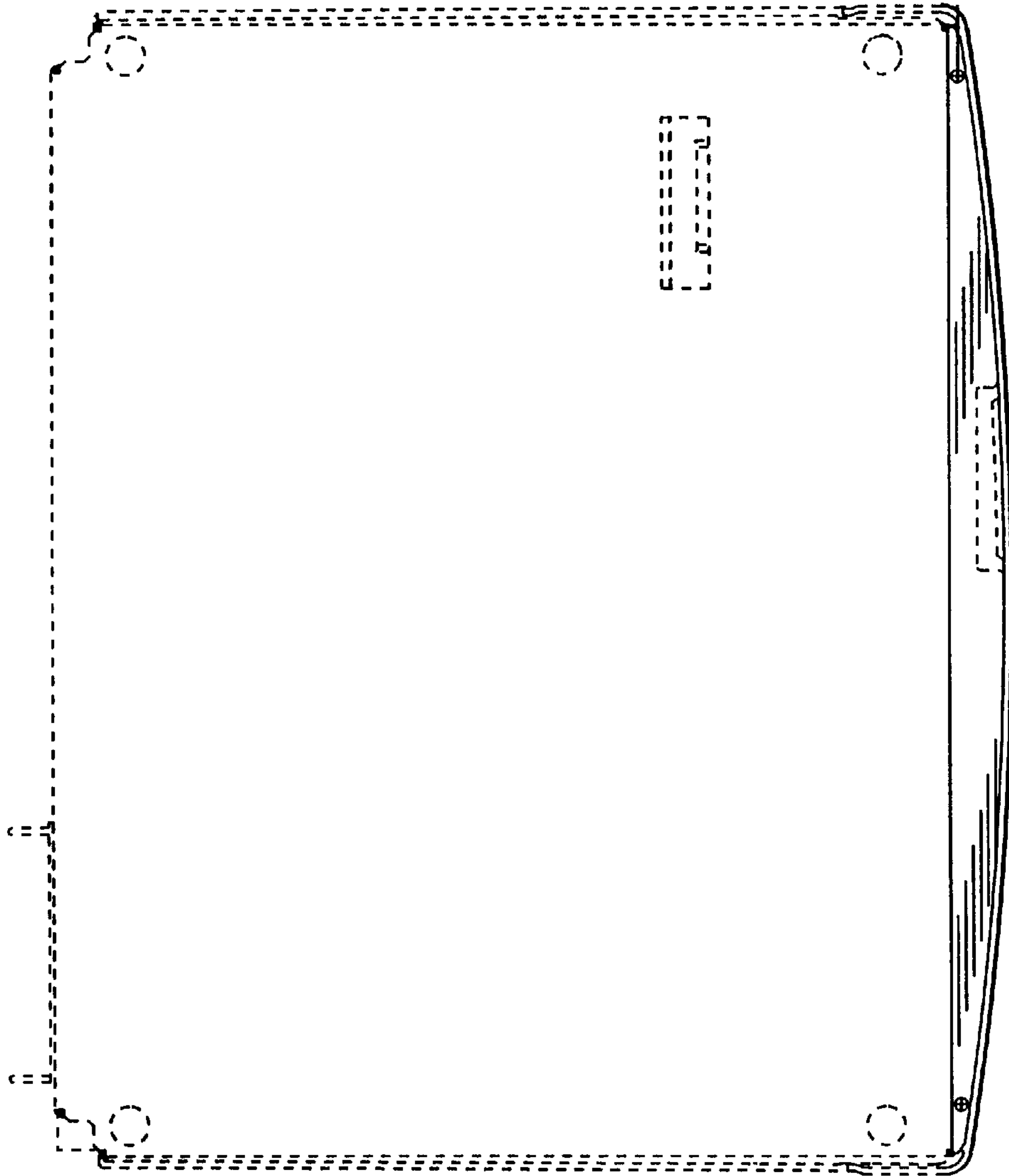




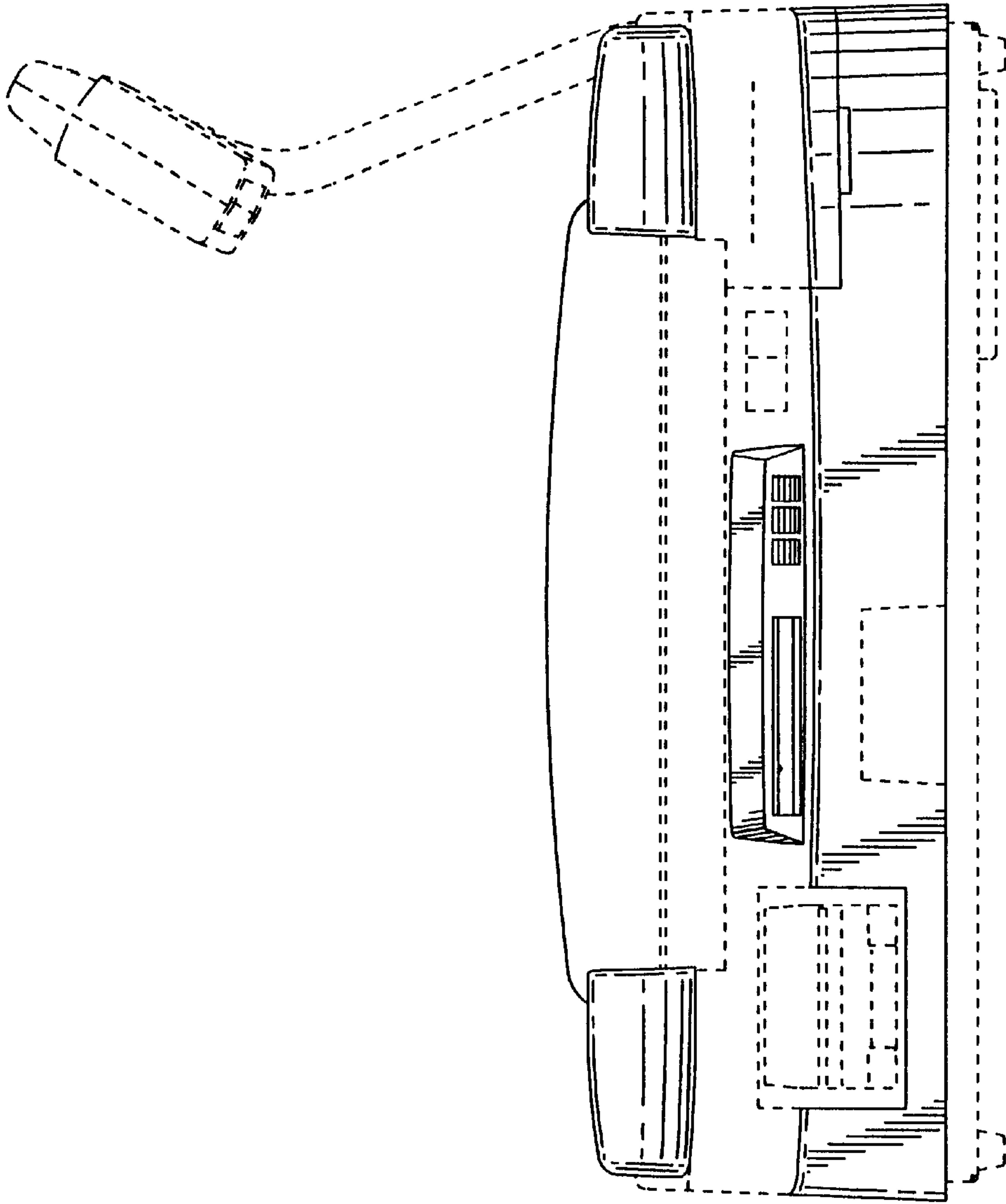
*Fig. 1*



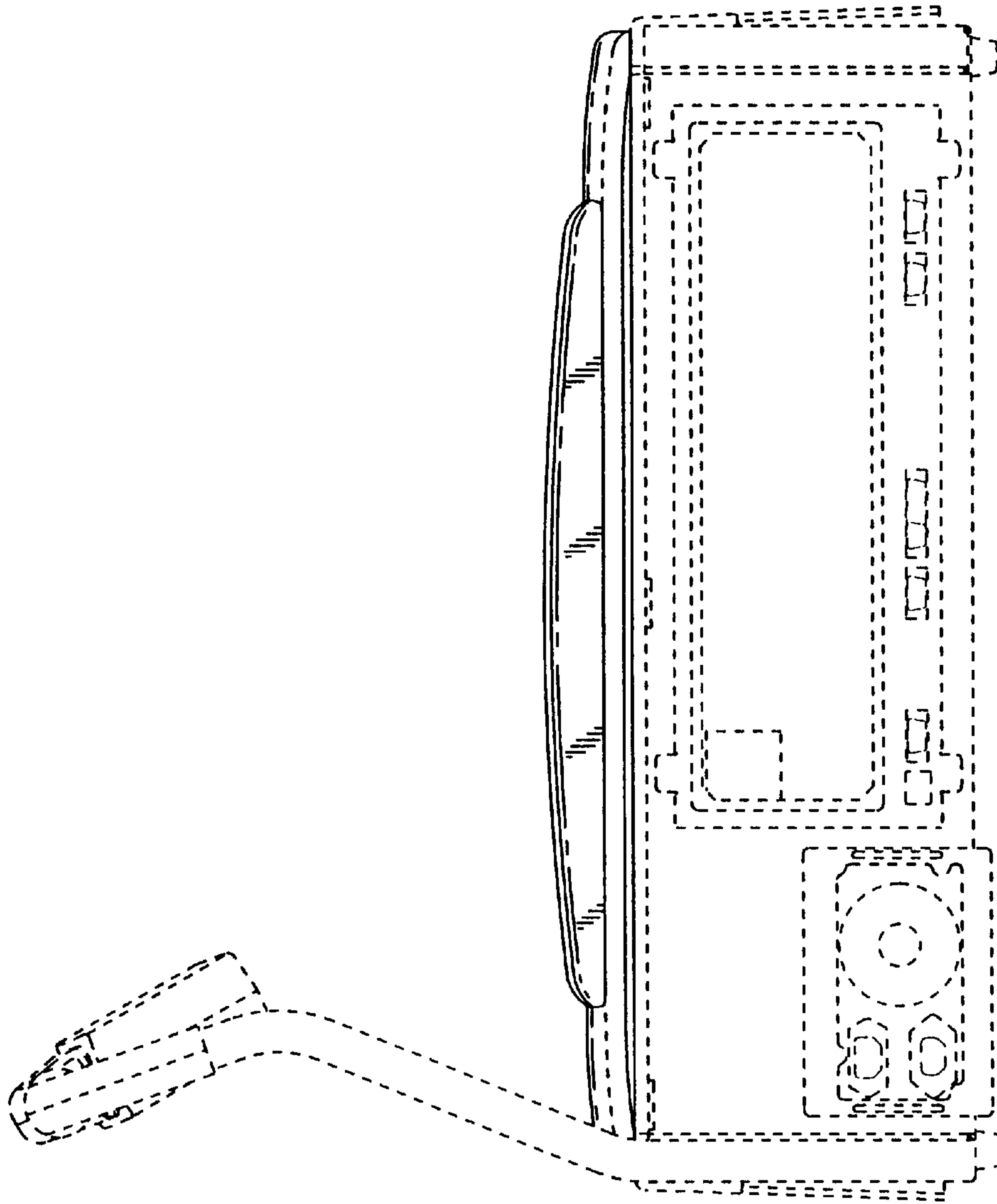
*Fig. 2*



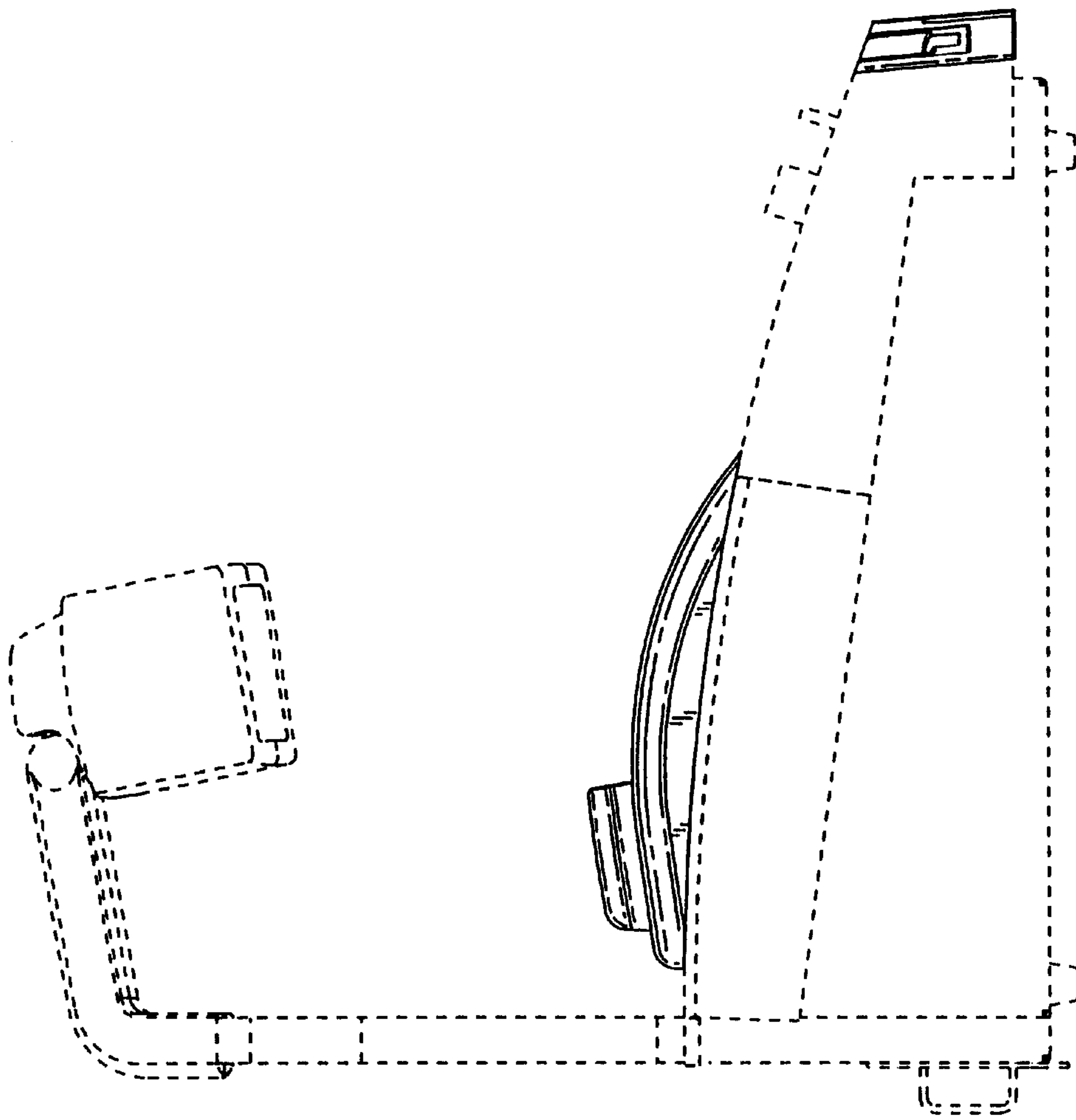
*Fig. 3*



*Fig. 4*

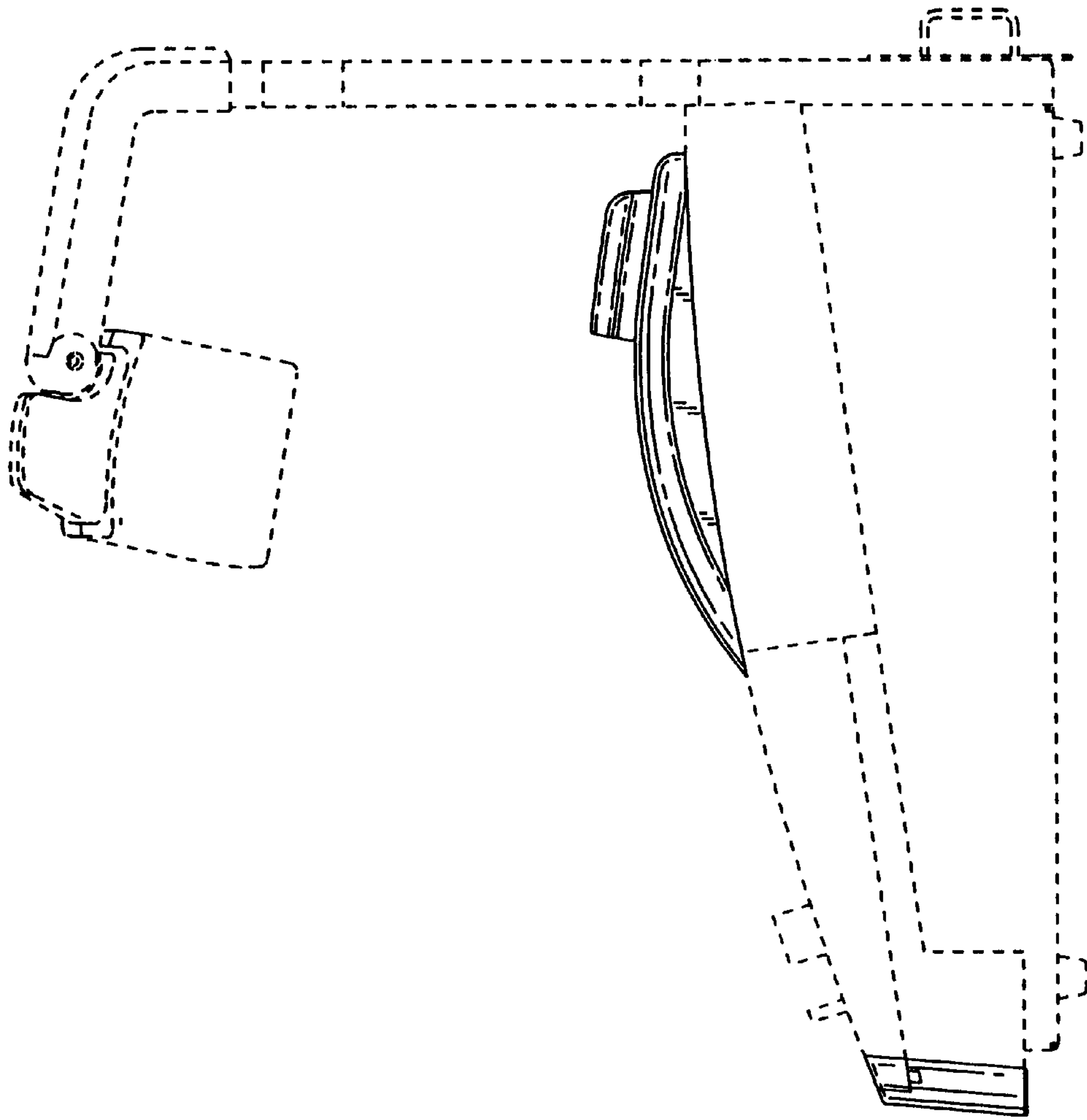


*Fig. 5*



*Fig. 6*





*Fig. 7*



UNITED STATES PATENT AND TRADEMARK OFFICE  
**CERTIFICATE OF CORRECTION**

PATENT NO. : Des. 425,037  
DATED : May 16, 2000  
INVENTOR(S) : James E. Nash and Perry S. Dotterman

Page 1 of 2

It is certified that error appears in the above-identified patent and that said Letters Patent is hereby corrected as shown below:

Drawings.

After the figure descriptions and before the claim, please add:

The broken line drawing in all figure views is for illustrative purposes only, and forms no part of the claimed design.

Title page.

Item [56], **References Cited**, under OTHER PUBLICATIONS, please add:

Website information for "Fast Track - The Latest Advance in Patron Self Service Technology" Vernon Library Supplies, Inc.; 1997

Website information for "Self Service - A revolution delivering liberation for staff and freedom for customers"; ALS International; 1998

Brochure entitled "Book Counter, Mark2 for self-service loan/return/borrowers account" by Codeco ApS; August 1997

Brochure entitled "Patron's Self Check-out & Check-In Book terminals"; October, 1991

Brochure entitled "3M<sup>TM</sup> Model 5220 Self Check System"; 3M Library Systems, 1997 No. 75-0500-1439-0

Brochure entitled "3M<sup>TM</sup> SelfCheck System Software - Version 2.4"; 3M Library Systems; 1996; No. 75-500-1909-2

Brochure entitled "RapidCirc<sup>TM</sup> II"; Checkpoint Systems, Inc.; 1997

"Knogo Express - Library Self-Service Check-Out System Owner's Manual"; Knogo North America Inc.; November 1994 Rev. A

Article entitled "Library Freedom - Patron Self-Serve Check-Out"; 3M; 4<sup>th</sup> Edition; 1991

Brochure entitled "3M ABC Automatic Book Circulation"; 3M; September 21, 1988 (with translation)

Brochure entitled "Patron Self-Serve Check-Out/Check-In"; Digital Equipment AB, Finland 1/2/89 (with translation)

UNITED STATES PATENT AND TRADEMARK OFFICE  
**CERTIFICATE OF CORRECTION**

PATENT NO. : Des. 425,037  
DATED : May 16, 2000  
INVENTOR(S) : James E. Nash and Perry S. Dotterman

Page 2 of 2

It is certified that error appears in the above-identified patent and that said Letters Patent is hereby corrected as shown below:

Brochure entitled "Faster Patron Service with Kingsley Electronic Check Out/In Book System"; Kingsley Library Equipment Co.; (publication date unknown)  
Brochure entitled "Library Self-Booking System"; Knogo; translated 6/15/94

Signed and Sealed this

Thirteenth Day of August, 2002

*Attest:*

A handwritten signature in black ink, appearing to read "James E. Rogan", written over a horizontal line.

*Attesting Officer*

JAMES E. ROGAN  
*Director of the United States Patent and Trademark Office*