



US00D425034S

United States Patent [19]

Amit et al.

[11] **Patent Number: Des. 425,034**

[45] **Date of Patent: ** May 16, 2000**

[54] **DISC DRIVE ENCLOSURE**

D. 362,238 9/1995 Alo, Jr. et al. D14/102
D. 382,858 8/1997 Gray et al. D14/100

[75] Inventors: **Gadi Amit**, Mountain View; **Gary Shigeru Natsume**, San Jose, both of Calif.

Primary Examiner—Freda Nunn
Attorney, Agent, or Firm—Philip J. Anderson; Quirk & Tratos

[73] Assignee: **Trimm Technologies**, Las Vegas, Nev.

[**] Term: **14 Years**

[57] CLAIM

[21] Appl. No.: **29/081,076**

The ornamental design for a disc drive enclosure, as shown and described.

[22] Filed: **Oct. 13, 1997**

DESCRIPTION

[51] **LOC (7) Cl.** **14-02**

[52] **U.S. Cl.** **D14/109**

[58] **Field of Search** D14/100, 102, D14/107-109, 115; D13/162, 184, 199; D6/432, 436, 445, 448; 312/208.1, 223.2, 254, 292; 360/99.01-99.12; 361/690-696

FIG. 1 is a front perspective view of the disc drive enclosure according to the present invention;

FIG. 2 is an enlarged front view thereof; and,

FIG. 3 is an enlarged fragmented perspective view thereof shown for clarity of illustration only.

[56] References Cited

The undisclosed views are not part of the claimed design.

U.S. PATENT DOCUMENTS

D. 347,827 6/1994 Noble D14/102

1 Claim, 3 Drawing Sheets

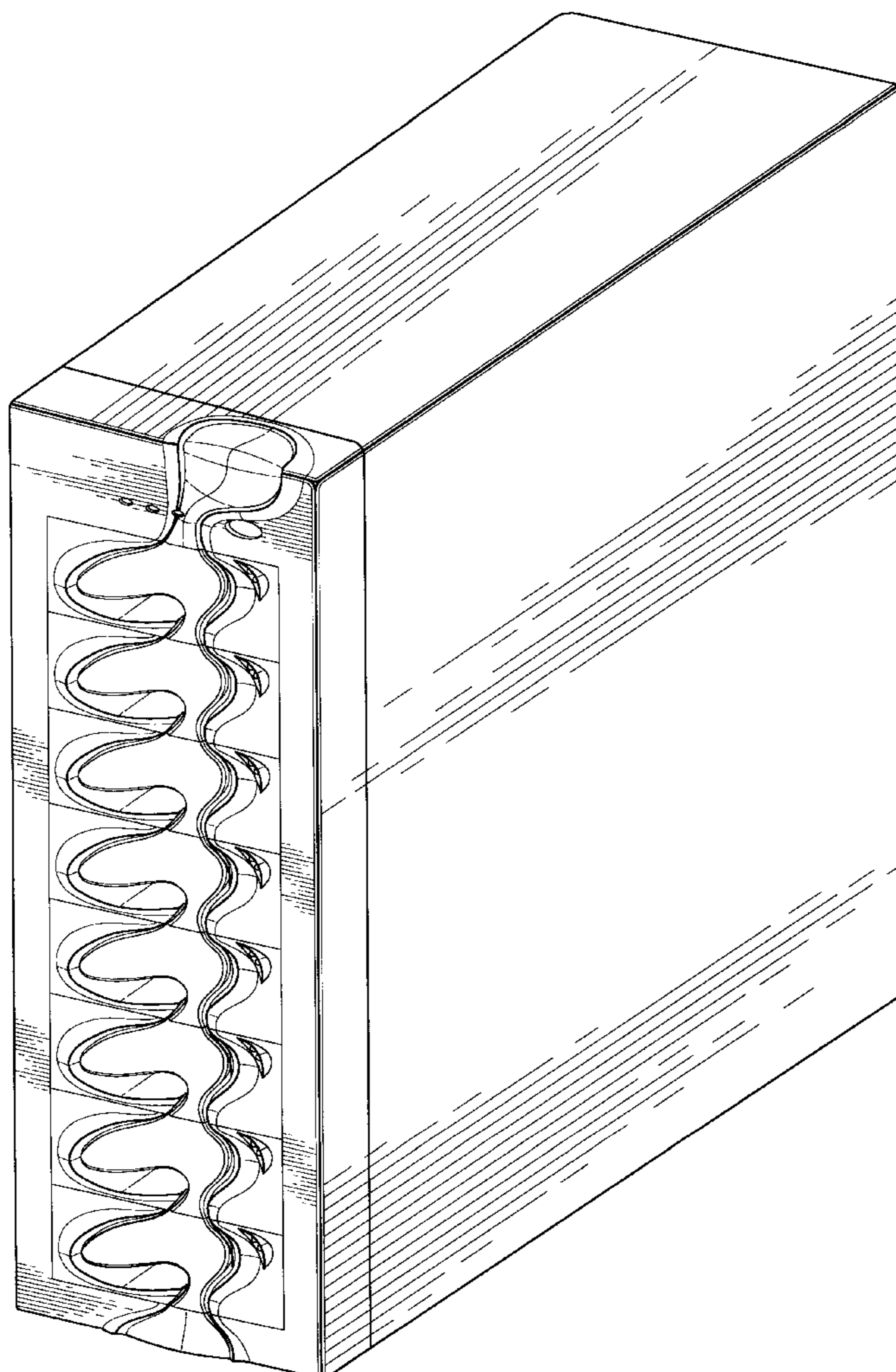


FIG. 1

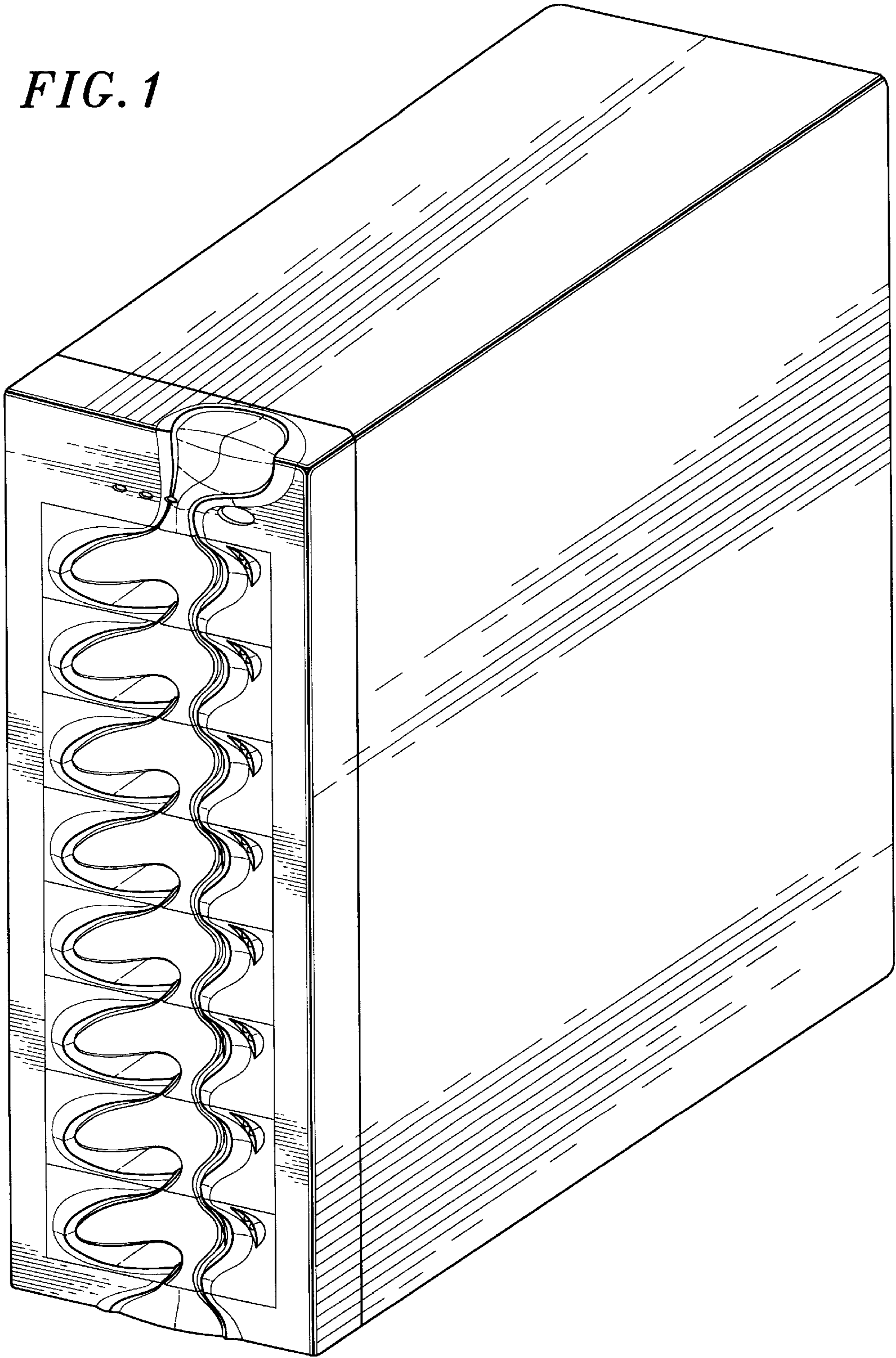


FIG. 2

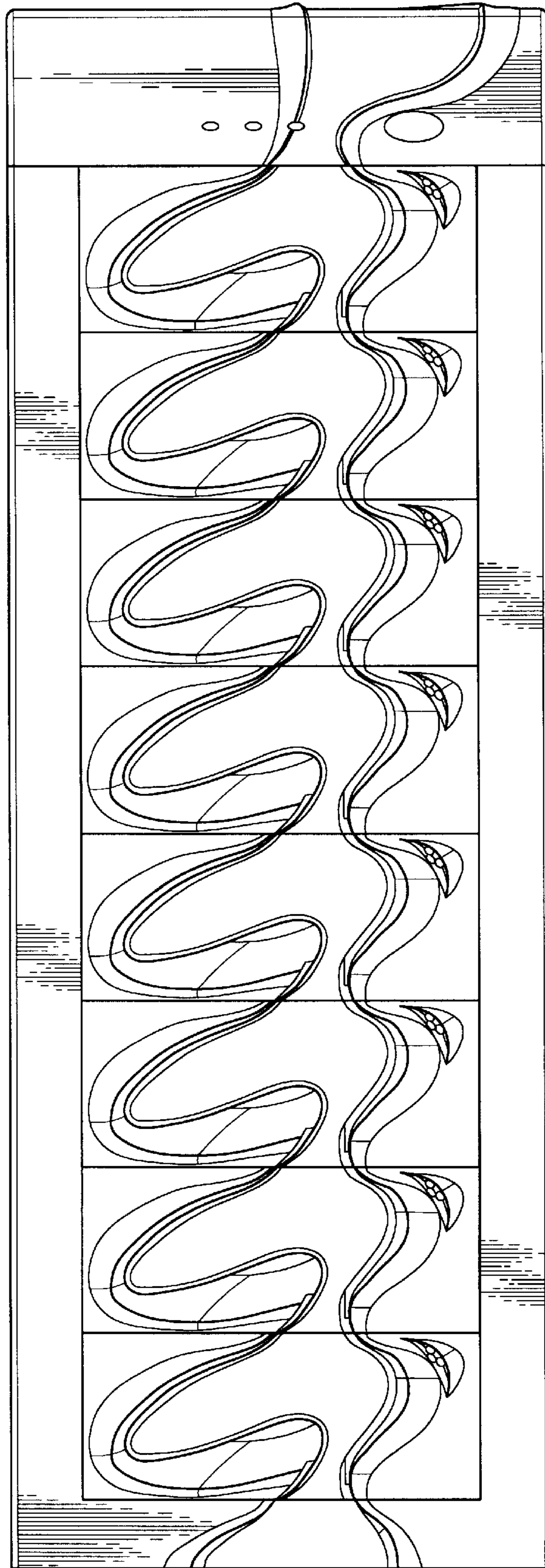


FIG. 3

