



US00D425030S

United States Patent [19]

[11] **Patent Number: Des. 425,030**

Hsieh

[45] **Date of Patent: ** May 16, 2000**

[54] **COOLING FAN OF A HEAT SINK ASSEMBLY**

Primary Examiner—Brian N. Vinson
Attorney, Agent, or Firm—Jones, Tullar & Cooper, PC

[76] **Inventor: Hsin-Mao Hsieh**, No. 6, East Section,
Chiao Nan Li, Industrial 6th Rd.,
Pingtung City, Pingtung Hsien, Taiwan

[57] **CLAIM**

[**] **Term: 14 Years**

The ornamental design for a cooling fan of a heat sink assembly, as shown.

[21] **Appl. No.: 29/101,834**

DESCRIPTION

[22] **Filed: Mar. 11, 1999**

FIG. 1 is a front-right-top perspective view of a seat for a cooling fan of a heat sink assembly, showing my new design;

[51] **LOC (7) Cl. 13-03**

FIG. 2 is a front elevational view thereof;

[52] **U.S. Cl. D13/179**

FIG. 3 is a rear elevational view thereof;

[58] **Field of Search** D13/179, 184;
257/706, 707; 361/701-703, 709; 174/16.3

FIG. 4 is a left elevational view thereof;

FIG. 5 is a right elevational view thereof;

FIG. 6 is a top plan view thereof;

[56] **References Cited**

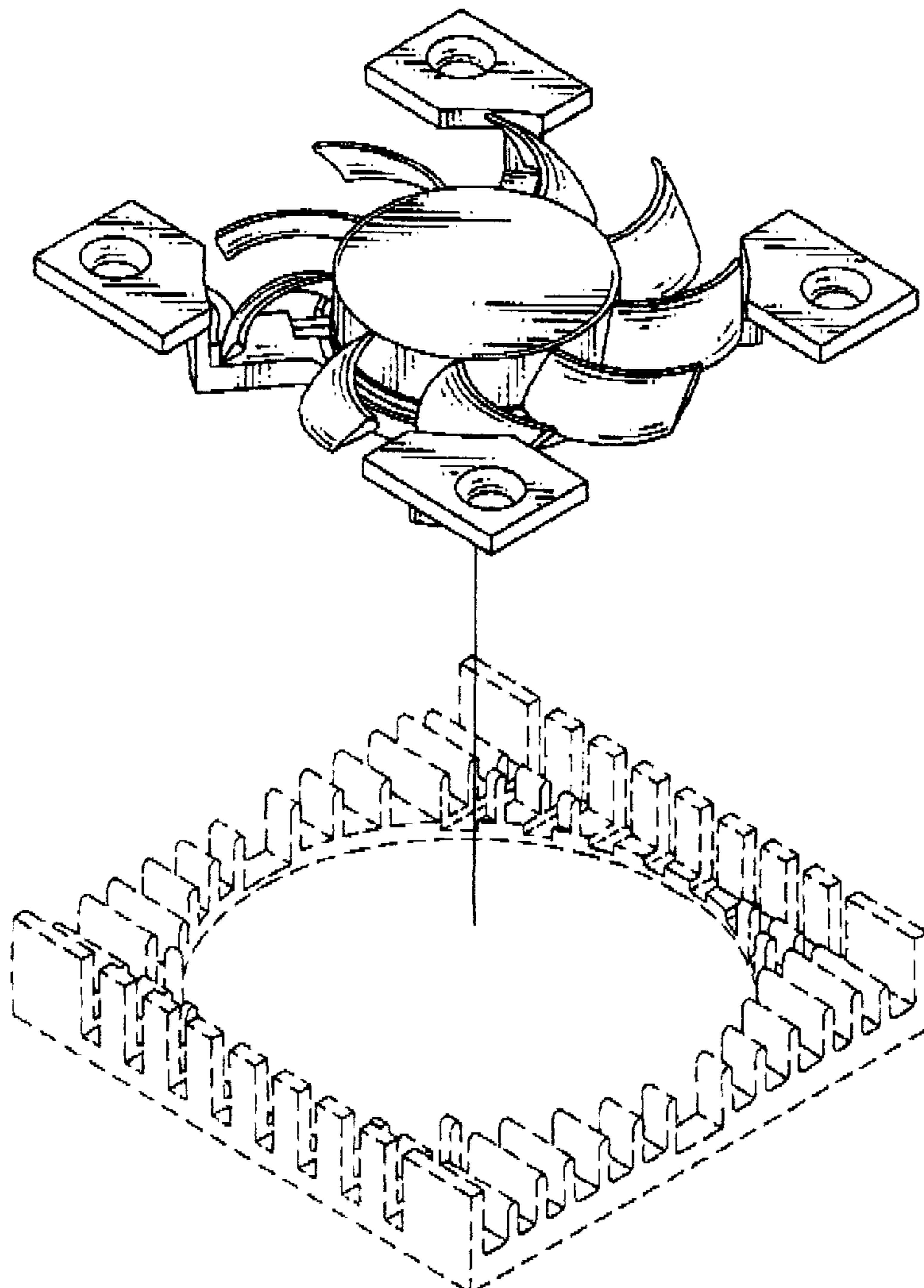
FIG. 7 is a bottom plan view thereof; and,

U.S. PATENT DOCUMENTS

FIG. 8 is a right-top-front perspective view thereof, with the broken-line of the heat-sink being for illustrative purposes only and forming no part of the claimed design.

- D. 375,725 11/1996 Dodson D13/179 X
- D. 399,946 10/1998 Horng D13/179 X
- D. 400,665 11/1998 Horng D13/179 X

1 Claim, 4 Drawing Sheets



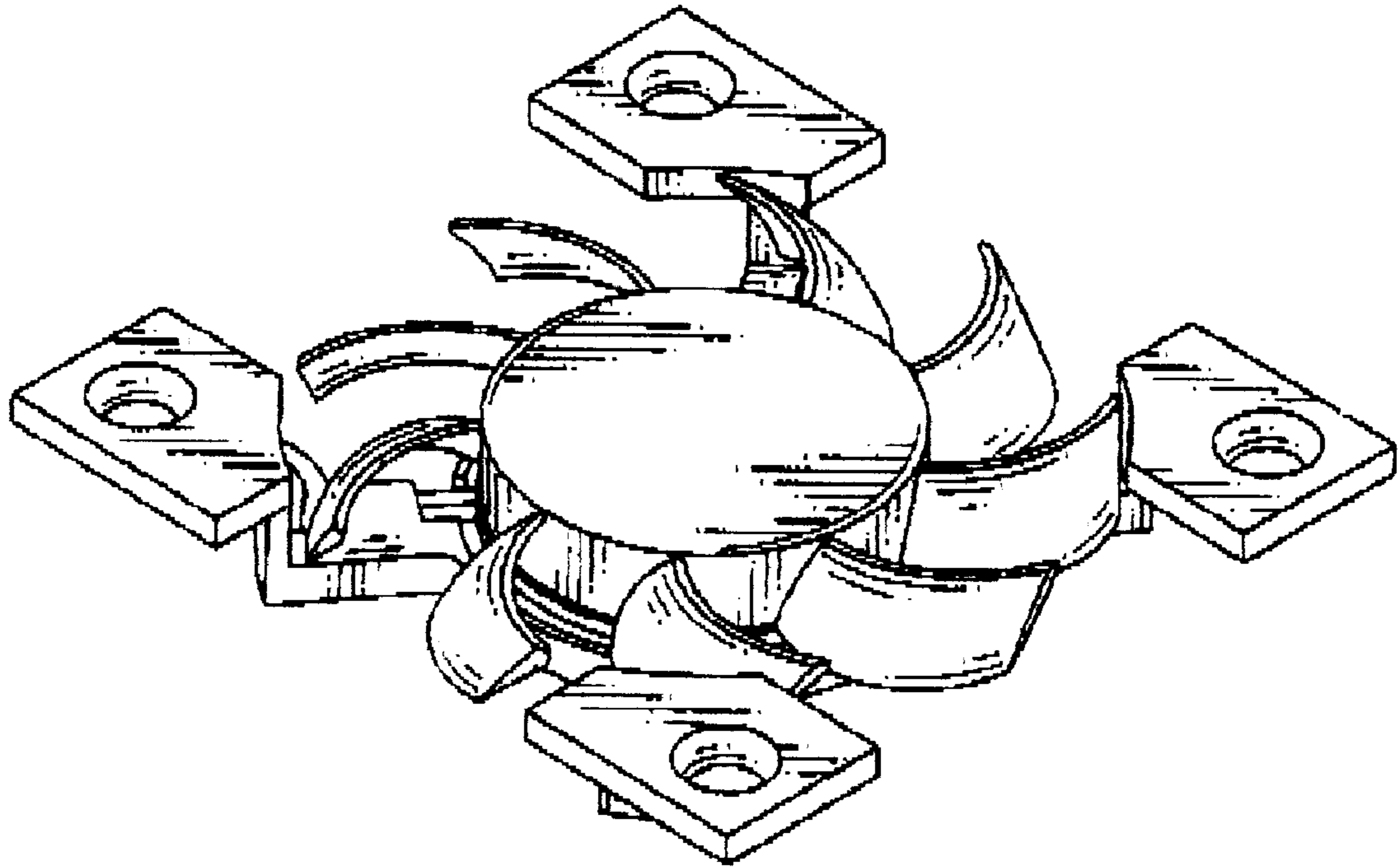


FIG. 1

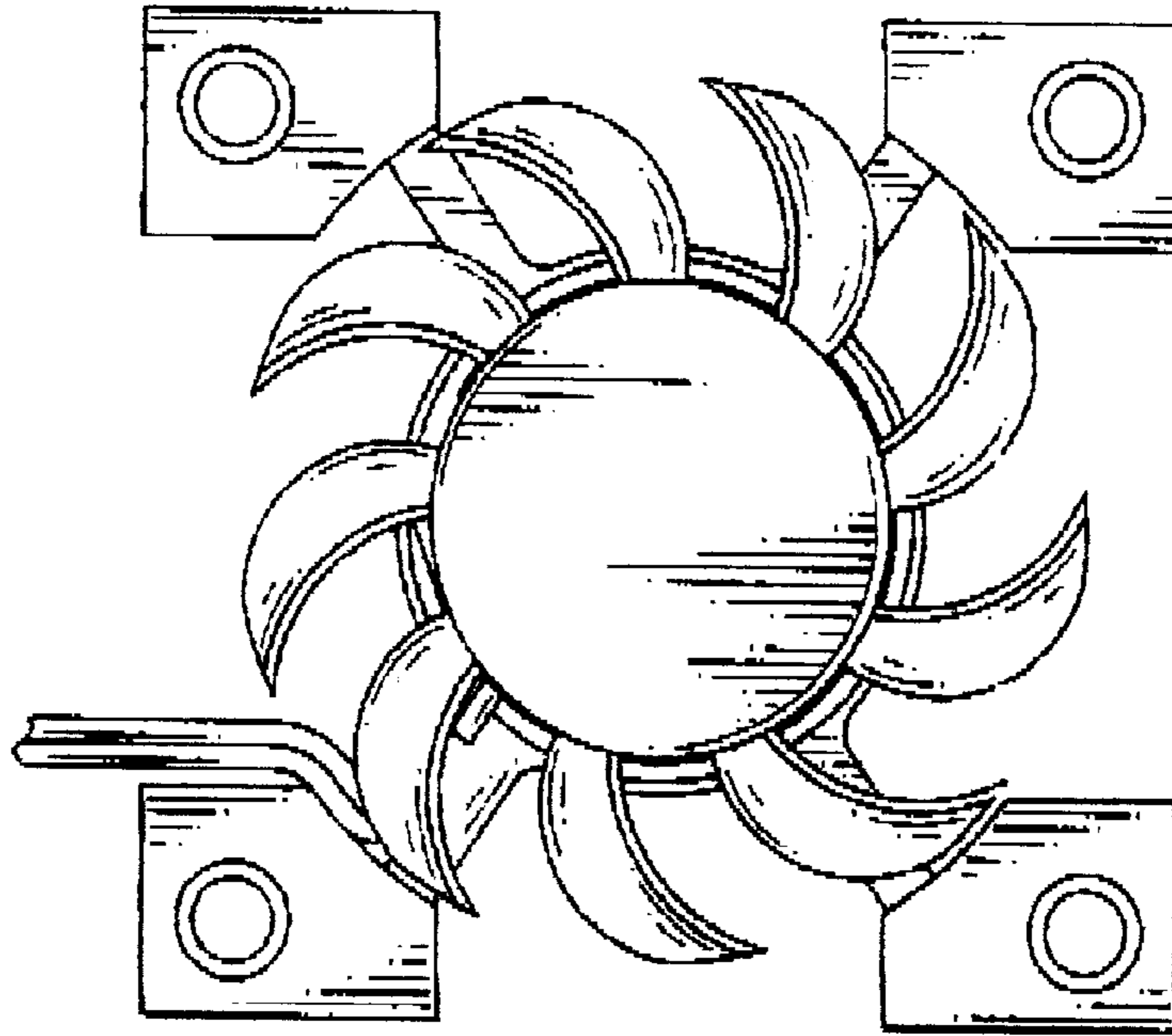


FIG. 2

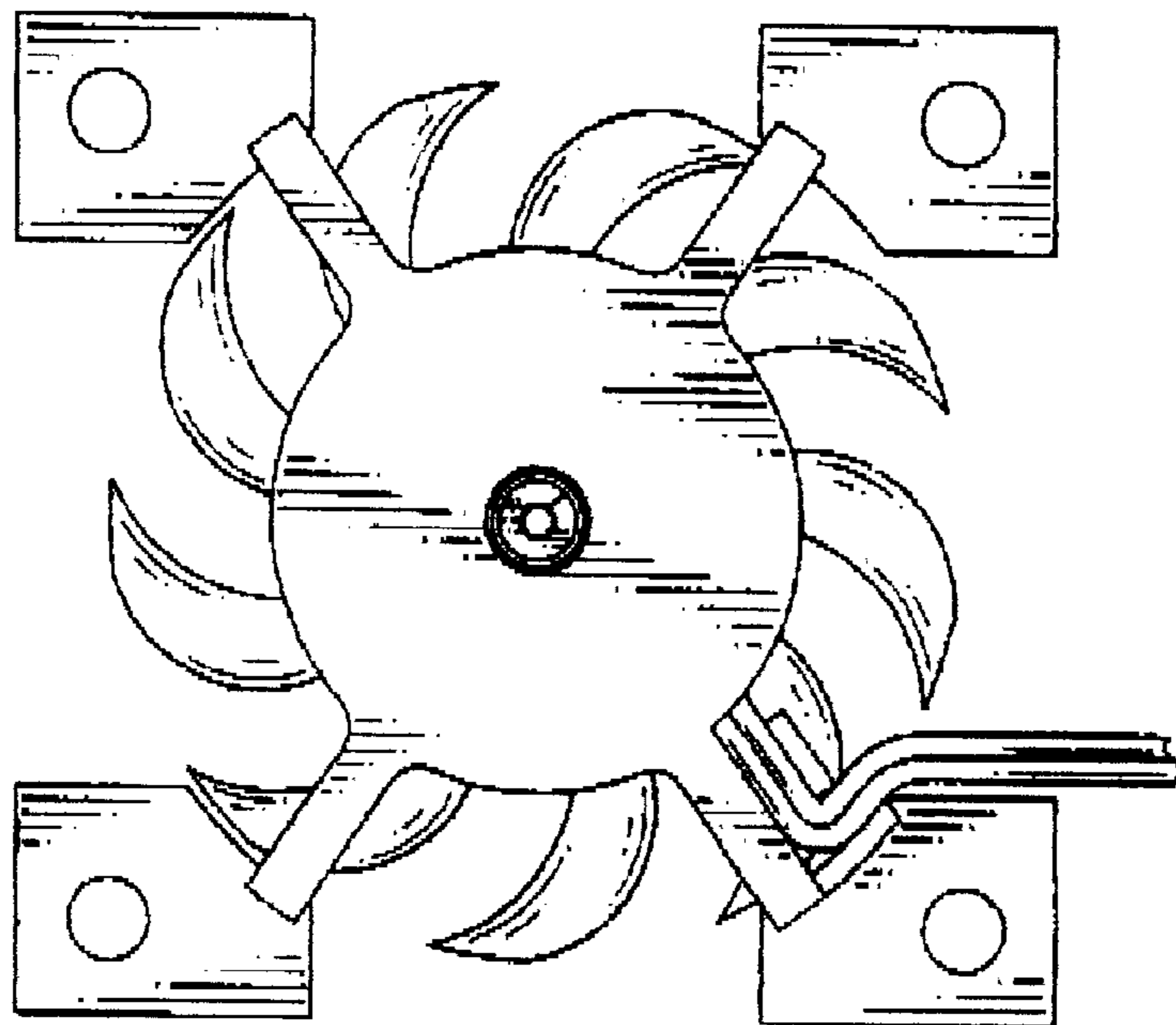


FIG. 3



FIG. 4



FIG. 5



FIG. 6



FIG. 7

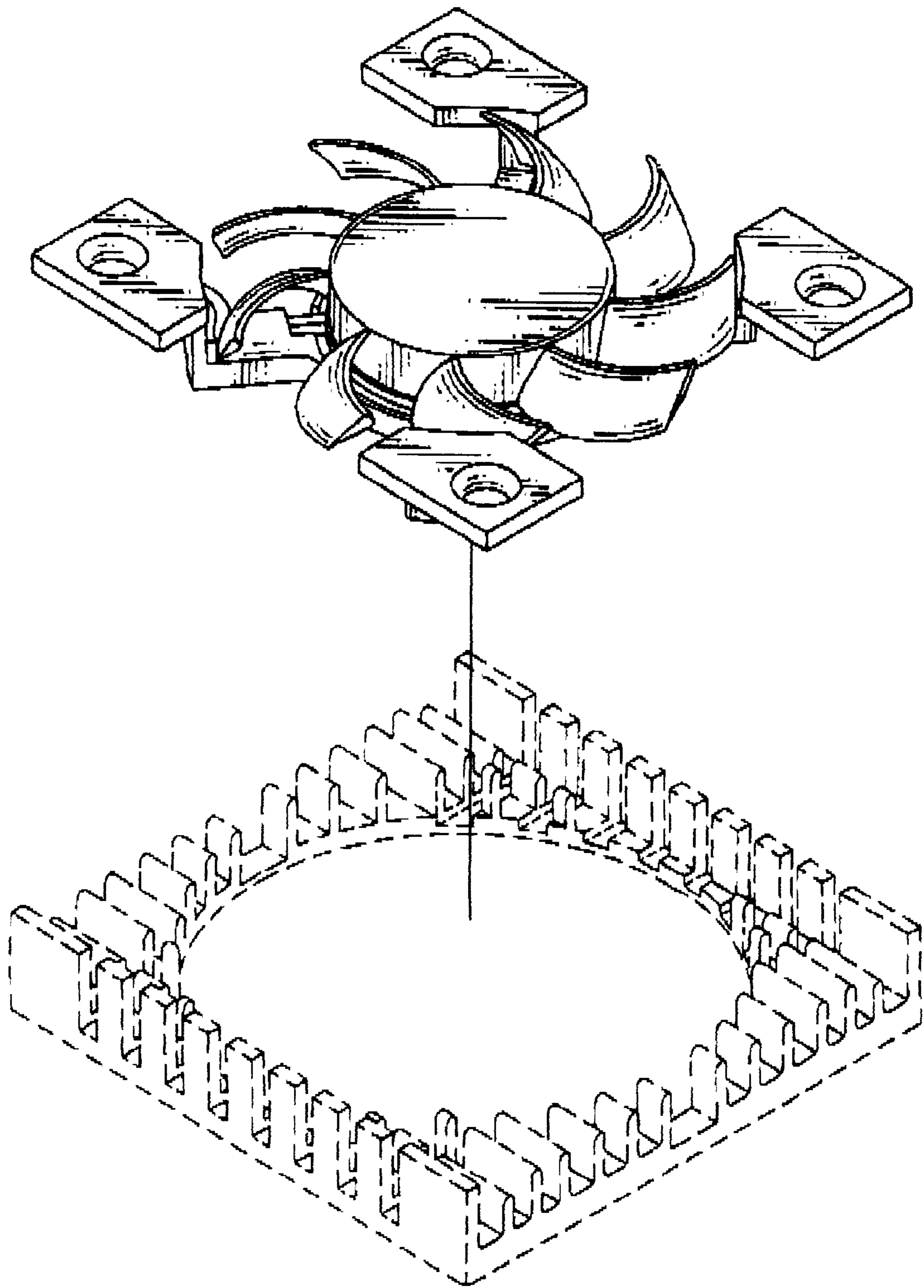


FIG. 8