



US00D425028S

**United States Patent** [19]  
**Lee**

[11] **Patent Number: Des. 425,028**

[45] **Date of Patent: \*\* May 16, 2000**

[54] **POWER SPLITTER**

5,358,422 10/1994 Schaffer et al. .... D13/147 X  
5,574,440 11/1996 Kurtz ..... 340/825.03

[75] Inventor: **Kendrew Lee**, Sunnyvale, Calif.

*Primary Examiner*—Joel Sincavage  
*Attorney, Agent, or Firm*—Lariviere, Grubman & Payne, LLP

[73] Assignee: **Monster Cable Products, Inc.**,  
Brisbane, Calif.

[\*\*] Term: **14 Years**

[57] **CLAIM**

The ornamental design for a power splitter, as shown.

[21] Appl. No.: **29/108,381**

**DESCRIPTION**

[22] Filed: **Jul. 26, 1999**

[51] **LOC (7) Cl.** ..... **13-03**

[52] **U.S. Cl.** ..... **D13/147**

[58] **Field of Search** ..... D13/146, 147,  
D13/151; 439/580, 638, 641

FIG. 1 is a perspective view of the power splitter according to the present invention.

FIG. 2 is a top view of the power splitter shown in FIG. 1.

FIG. 3 is a front view of the power splitter shown in FIG. 1.

FIG. 4 is a side view of the power splitter shown in FIG. 1.

FIG. 5 is a side view of the power splitter shown in FIG. 1.

FIG. 6 is a rear view of the power splitter shown in FIG. 1;

and,

FIG. 7 is a bottom view of the power splitter shown in FIG.

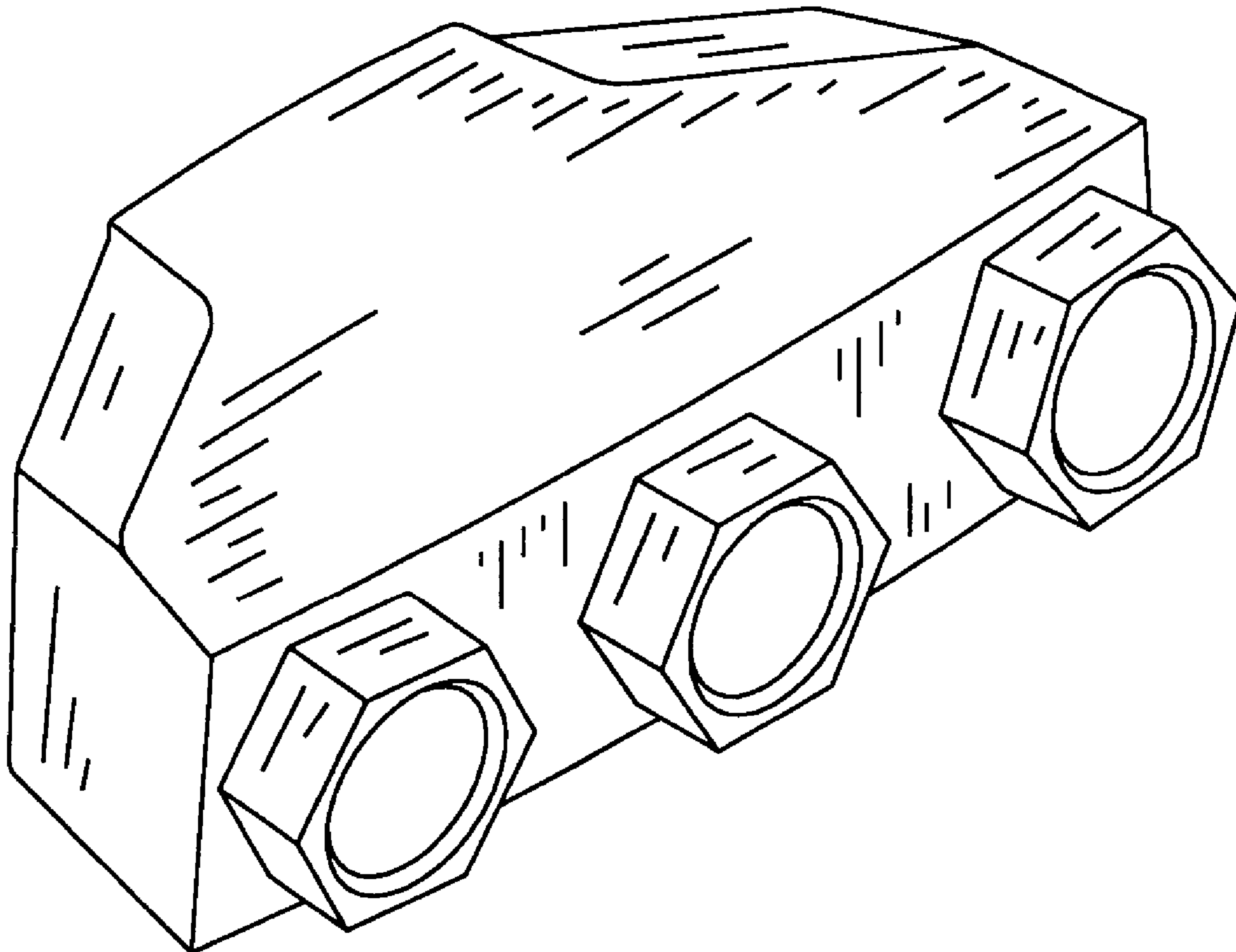
1.

[56] **References Cited**

**U.S. PATENT DOCUMENTS**

D. 301,243 5/1989 Chino ..... D13/146 X  
4,124,271 11/1978 Green ..... 385/21  
4,659,166 4/1987 Morningstar et al. .... 439/580

**1 Claim, 3 Drawing Sheets**



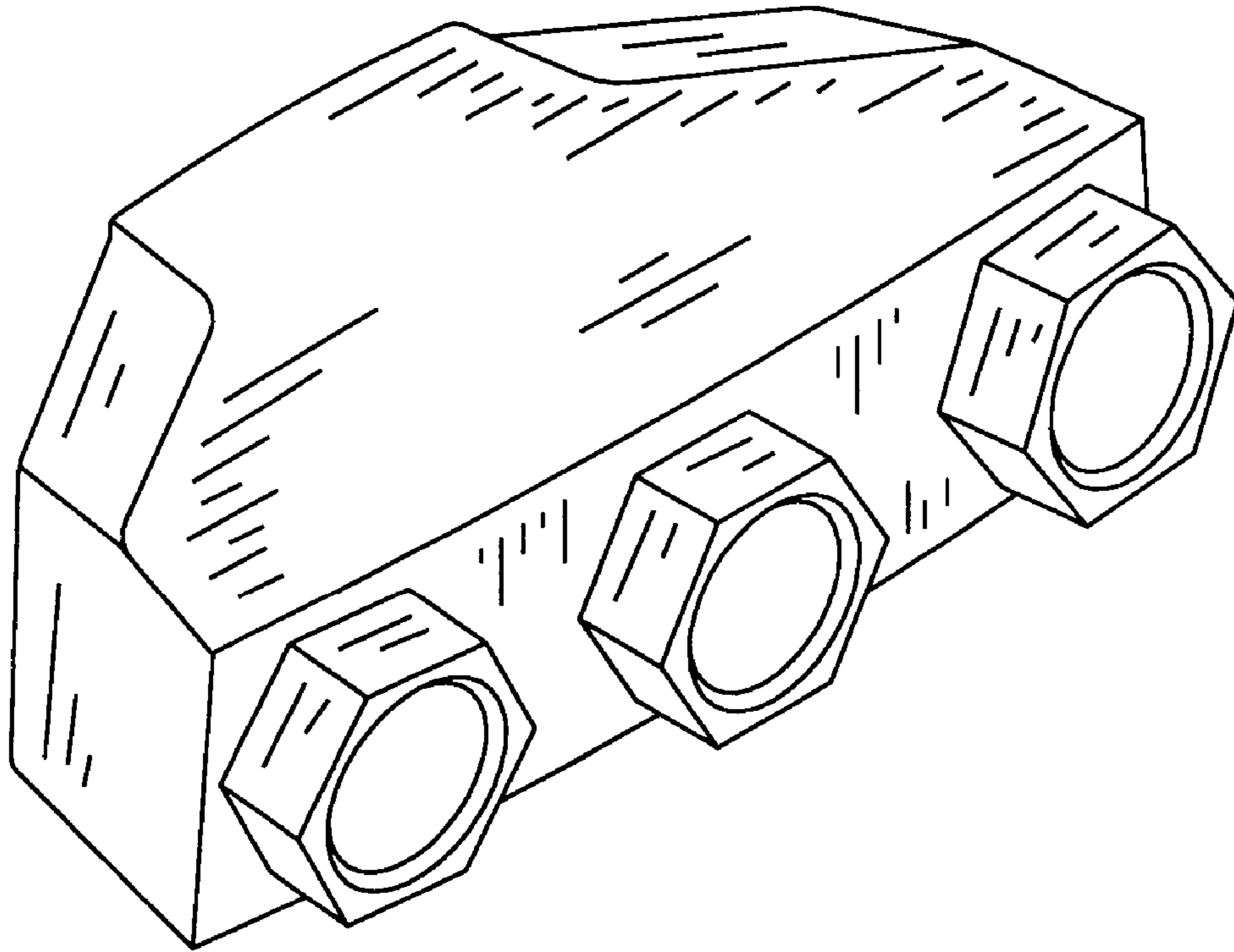


FIG. 1

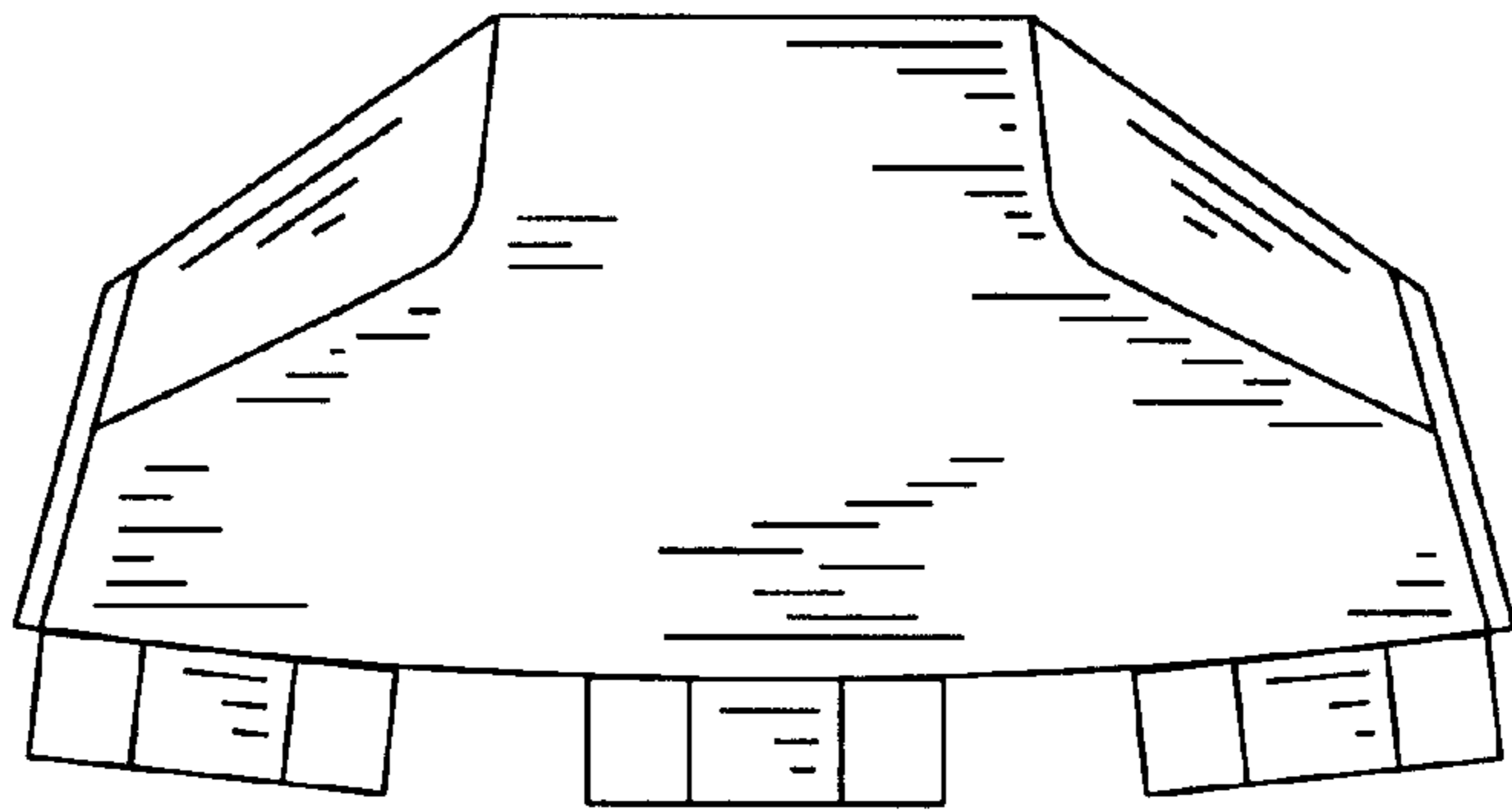


FIG. 2

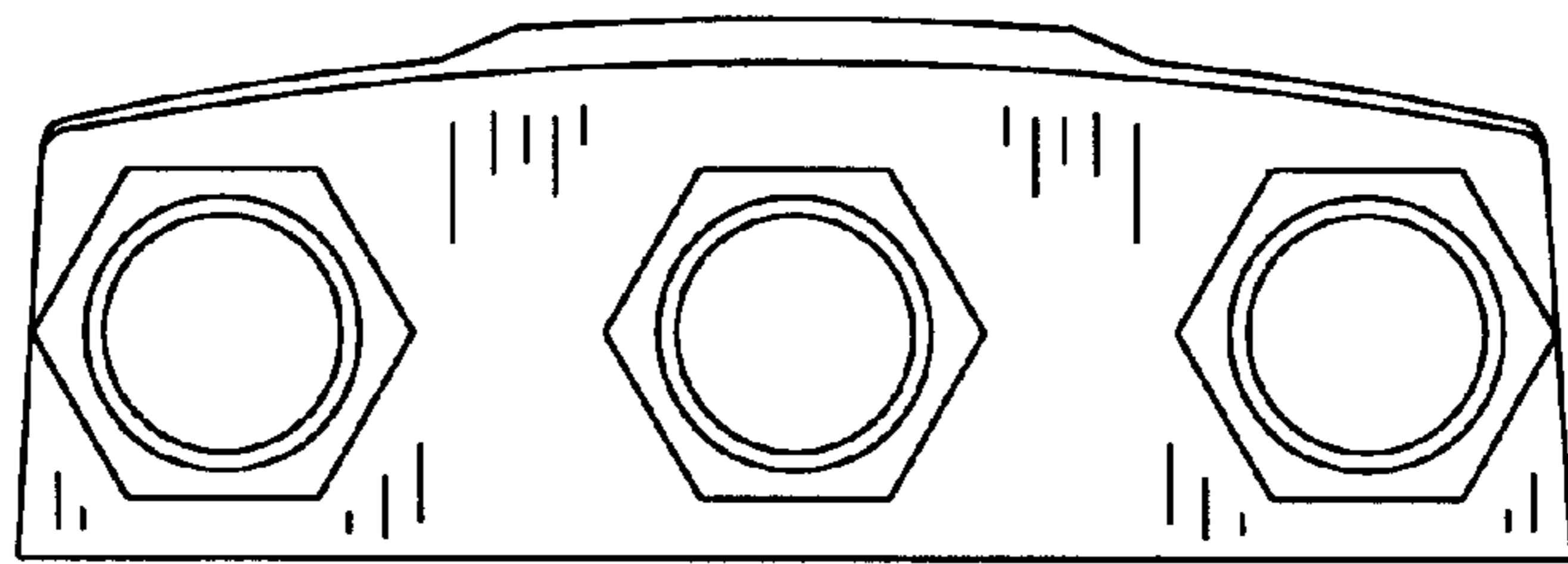


FIG. 3

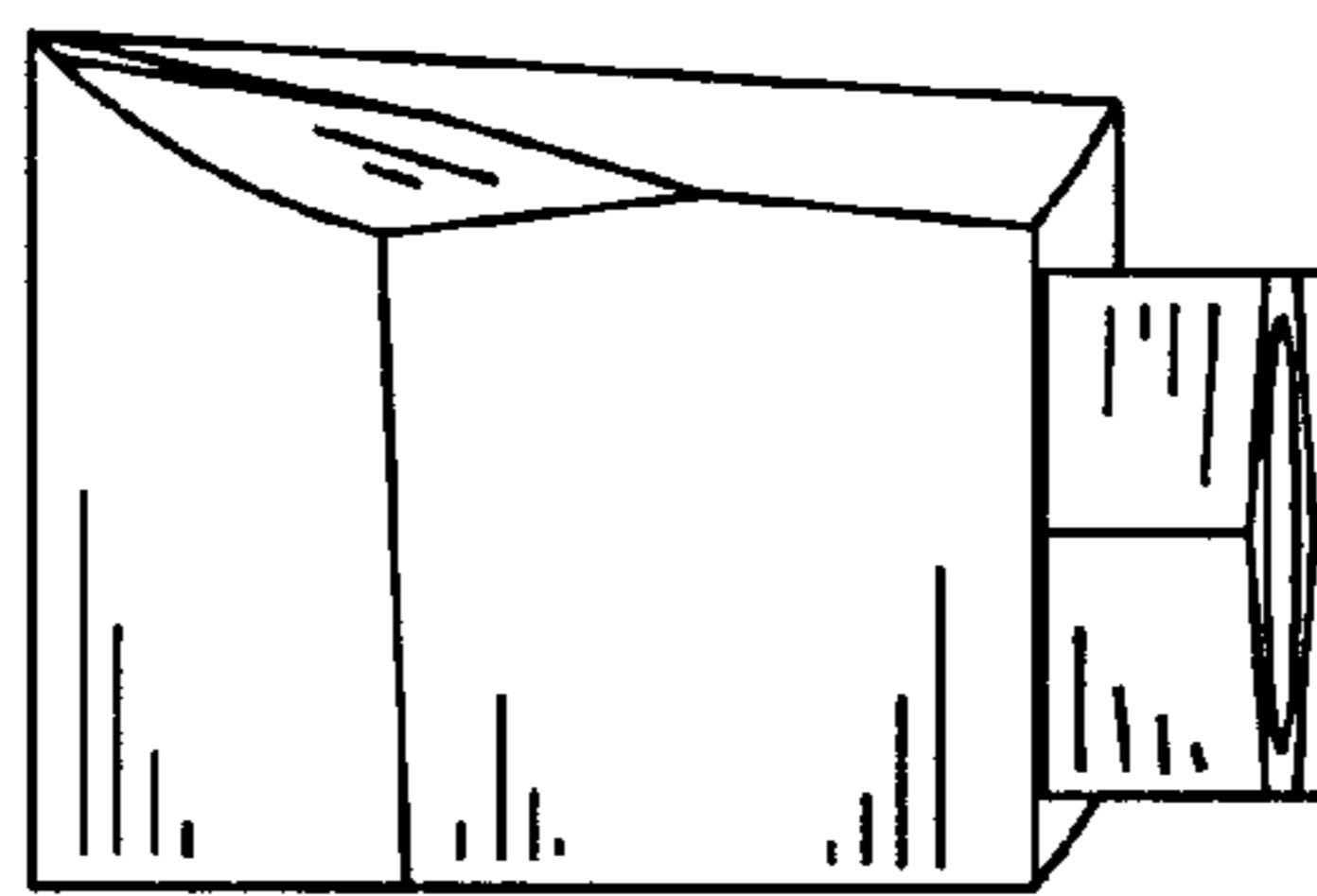


FIG. 4

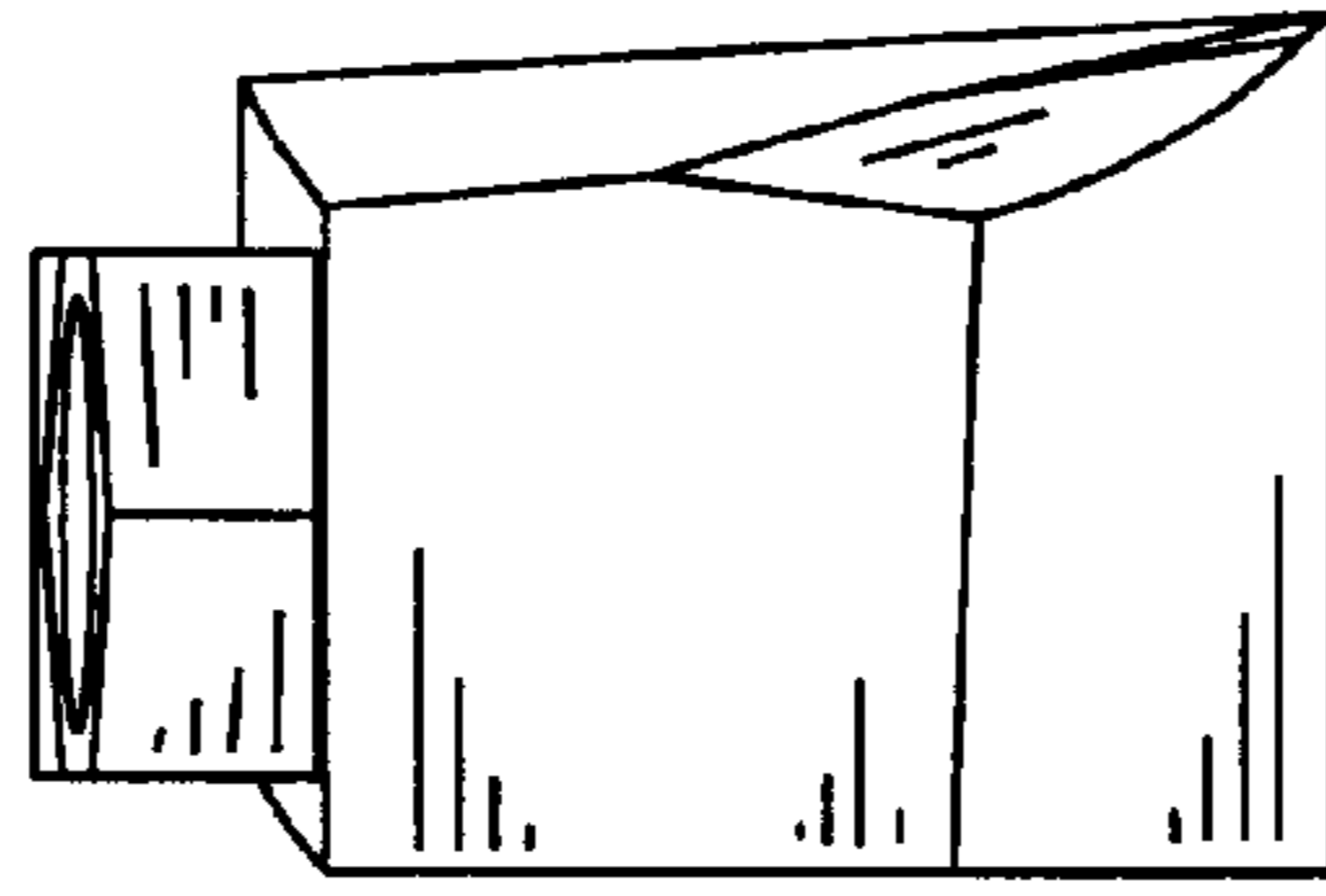


FIG. 5

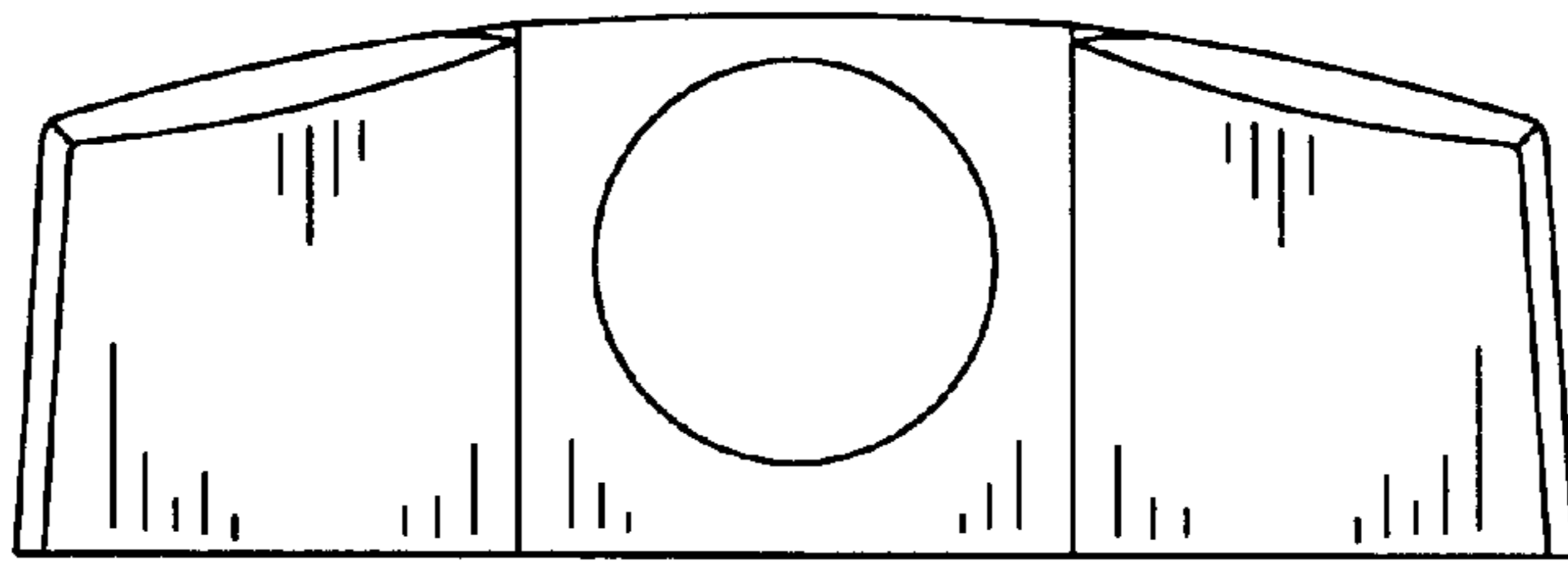


FIG. 6

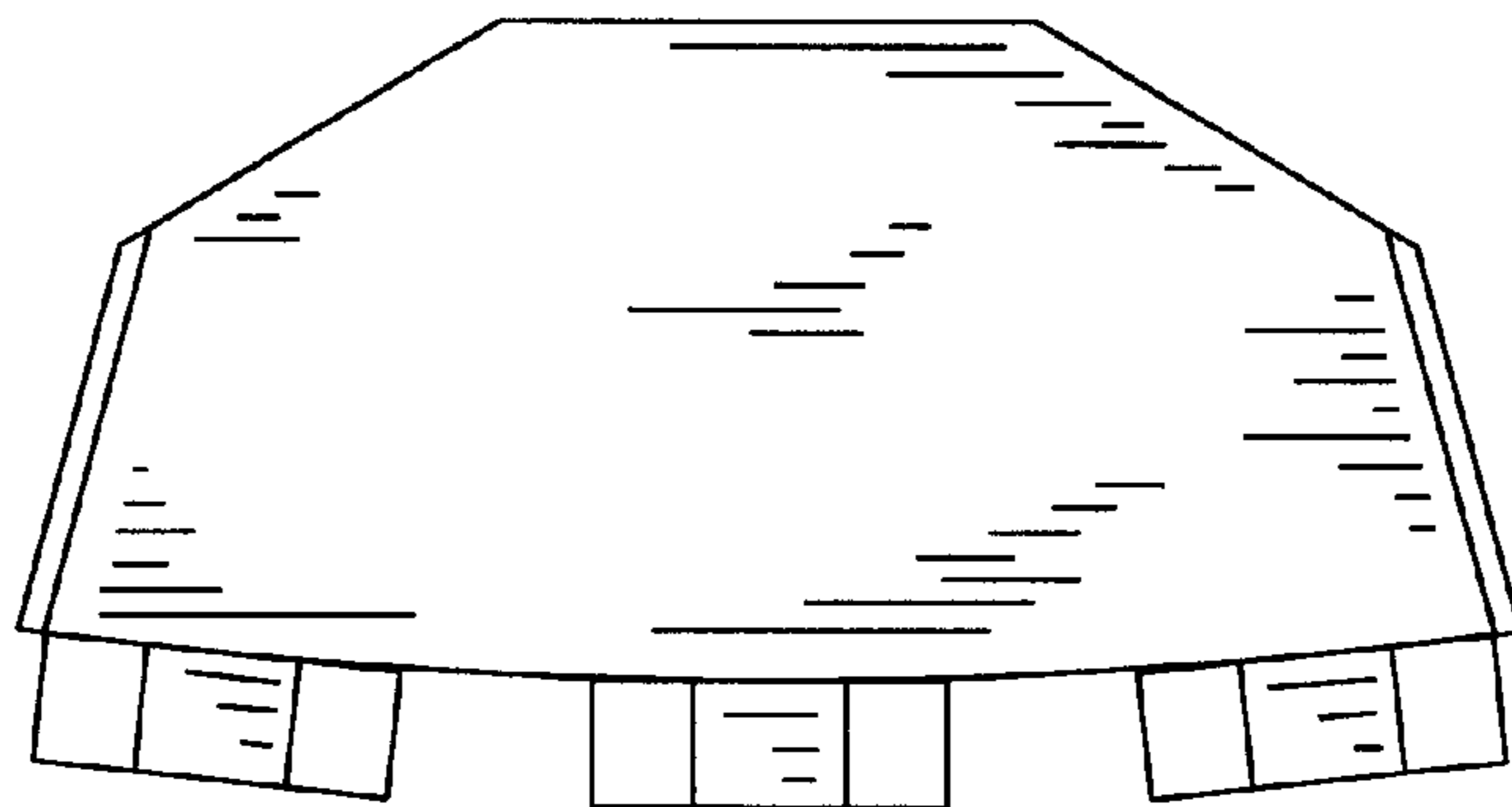


FIG. 7