



US00D425020S

# United States Patent [19]

Becker et al.

[11] Patent Number: **Des. 425,020**

[45] Date of Patent: **\*\* May 16, 2000**

[54] **ELECTRICAL ALTERNATOR**

[75] Inventors: **James Becker**, Crystal Lake; **Kai Eric Johnstad**, Wood Dale, both of Ill.

[73] Assignee: **C. E. Niehoff & Co.**, Evanston, Ill.

[\*\*] Term: **14 Years**

[21] Appl. No.: **29/049,672**

[22] Filed: **Jan. 29, 1996**

[51] **LOC (7) Cl.** ..... **13-02**

[52] **U.S. Cl.** ..... **D13/114**

[58] **Field of Search** ..... D13/112-114;  
290/36 R, 38 R, 55; 310/10, 40 R, 40.5-45,  
66, 89, 231-238

[56] **References Cited**

**U.S. PATENT DOCUMENTS**

D. 207,401	4/1967	Andrews et al. .	
D. 217,675	5/1970	Tomkinson .....	D13/114
D. 314,742	2/1991	Sieber .....	D13/114
4,692,631	9/1987	Dahl .....	290/55
5,005,281	4/1991	Burns .....	310/42 X
5,459,364	10/1995	Rondier .....	310/232

**OTHER PUBLICATIONS**

James Becker et al., "Dual-Voltage Alternators," SAE Tech paper, pp. 1-13, Nov. 18, 1962.

Pending U.S. Application Serial No. 29/069,532, filed on Apr. 24, 1997 by Becker et al.

Pending U.S. Application Serial No. 29/070,124, filed on Apr. 30, 1997 by Becker et al.

"Lightningbolt" advertisement of C701 Alternator of C.E. Niehoff & Co., *Bus Ride*, Jan., 1996, p. 99.

*Primary Examiner*—Cathron B. Matta  
*Attorney, Agent, or Firm*—Brinks Hofer Gilson & Lione

[57] **CLAIM**

The ornamental design for an electrical alternator, as shown and described.

**DESCRIPTION**

FIG. 1 is a perspective view showing our new design for an electrical alternator;

FIG. 2 is a rear view thereof;

FIG. 3 is a front view thereof;

FIG. 4 is a right side view thereof;

FIG. 5 is a left side view thereof;

FIG. 6 is a top view thereof; and,

FIG. 7 is a bottom view thereof.

The broken lines in FIGS. 1-7 are for illustrative purposes only and form no part of the claimed design.

**1 Claim, 3 Drawing Sheets**

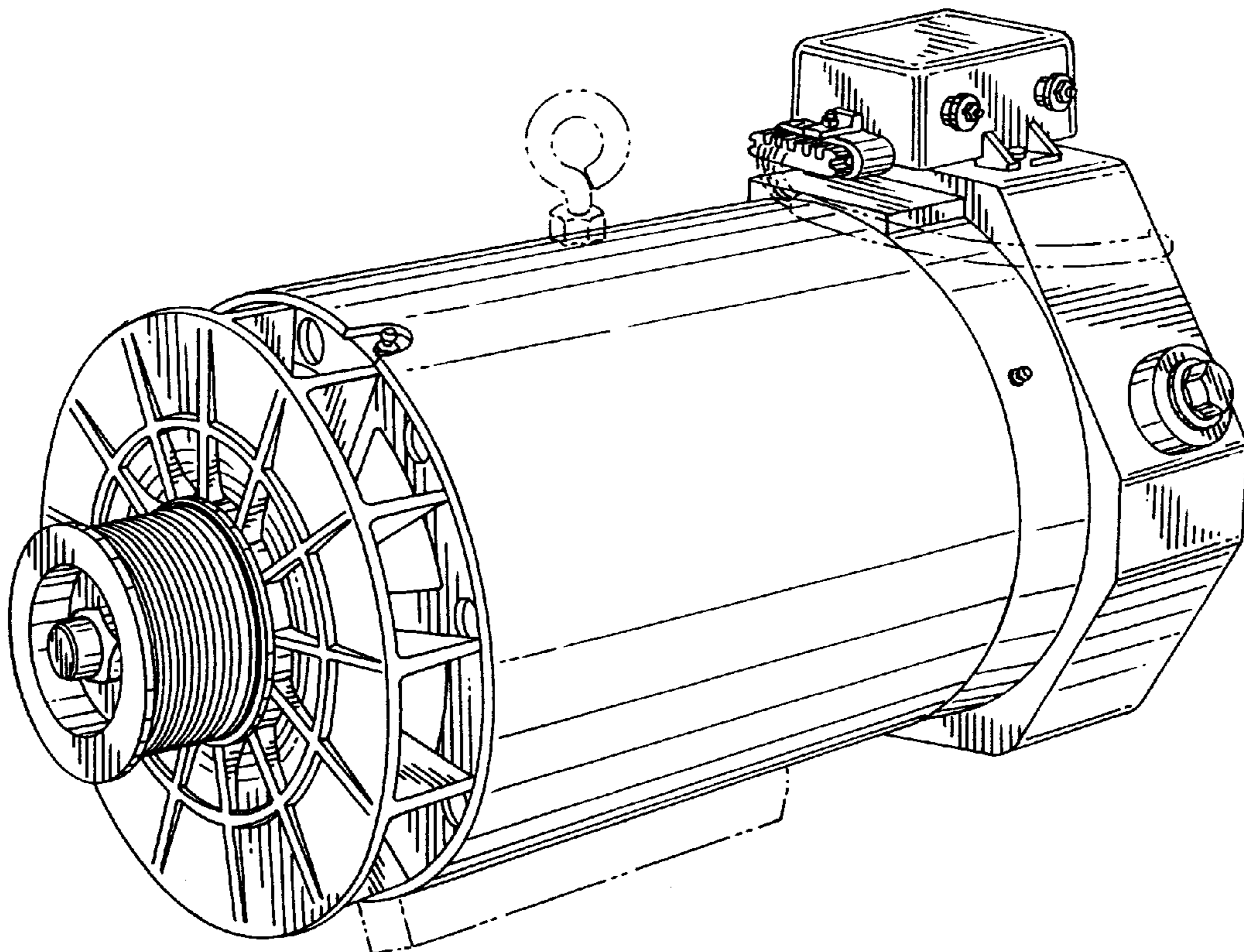


FIG. 1

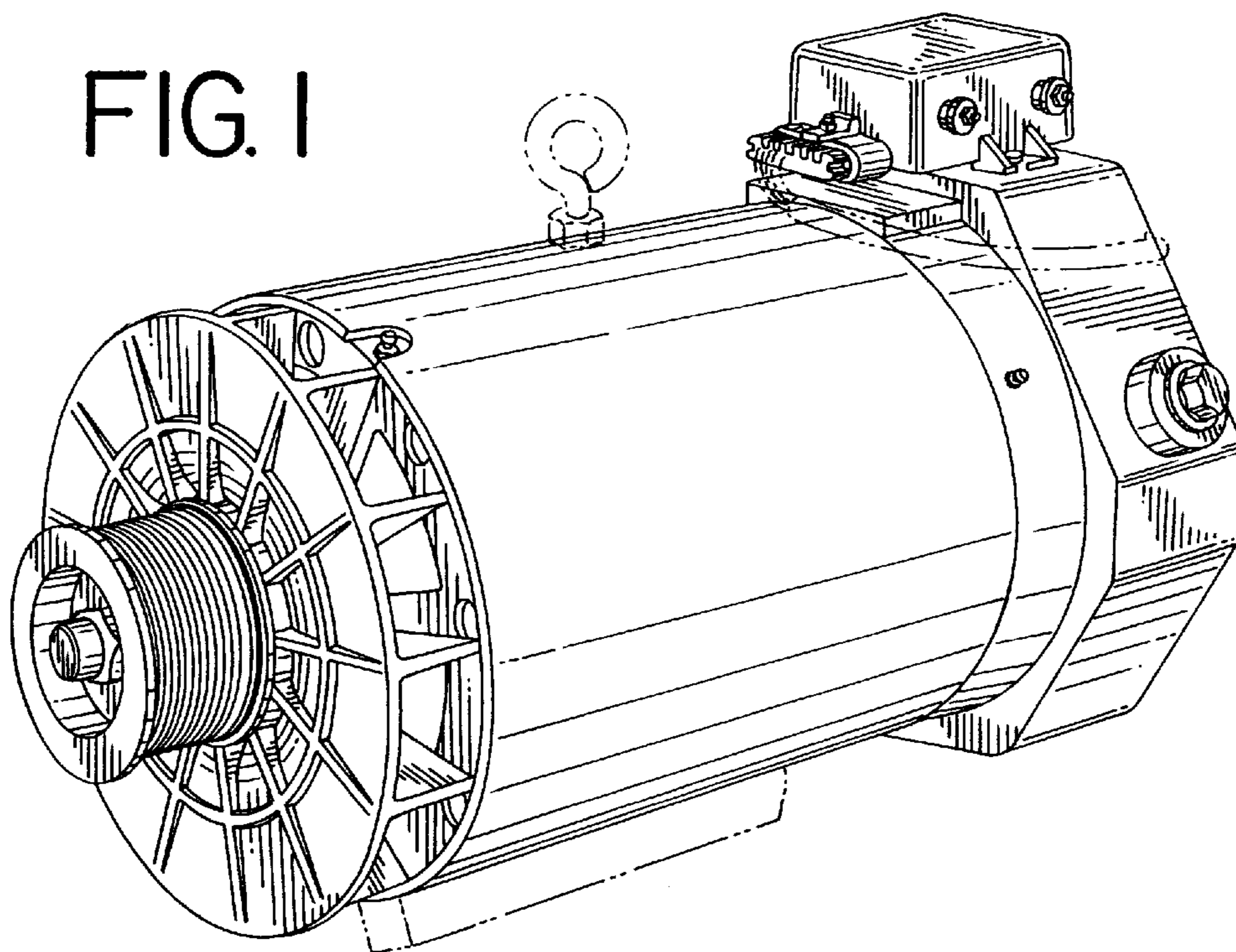


FIG. 2

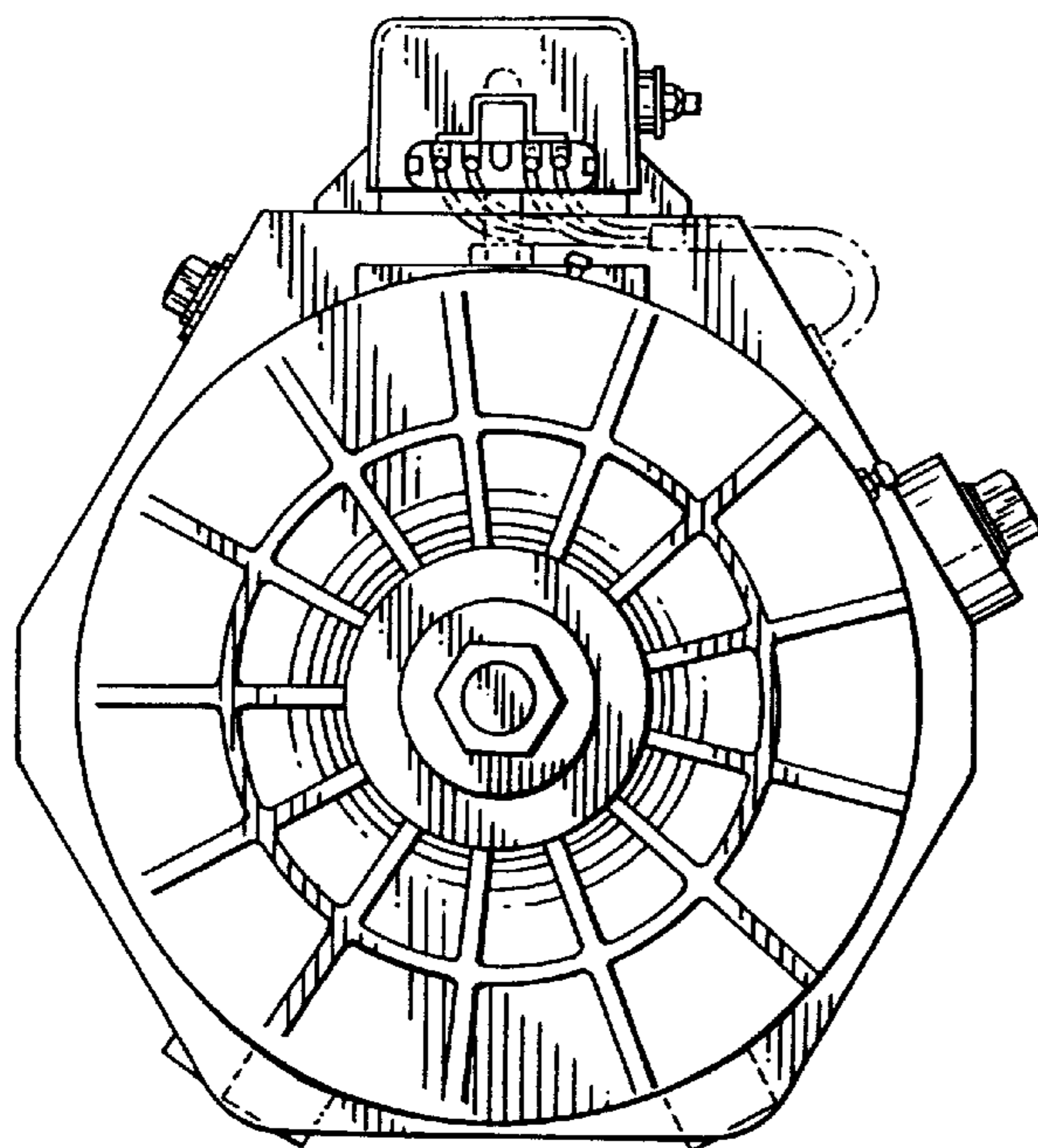


FIG. 3

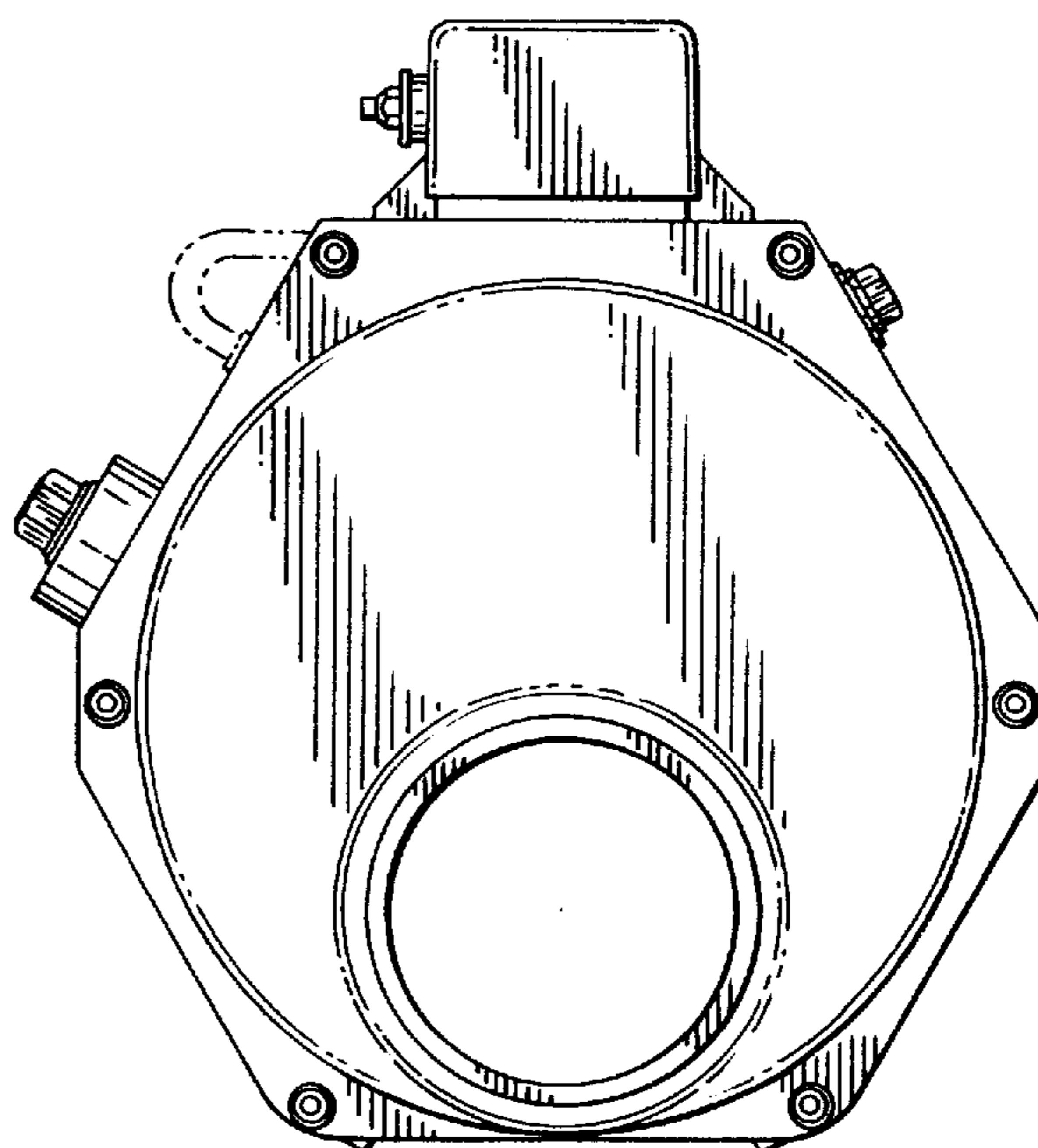


FIG. 4

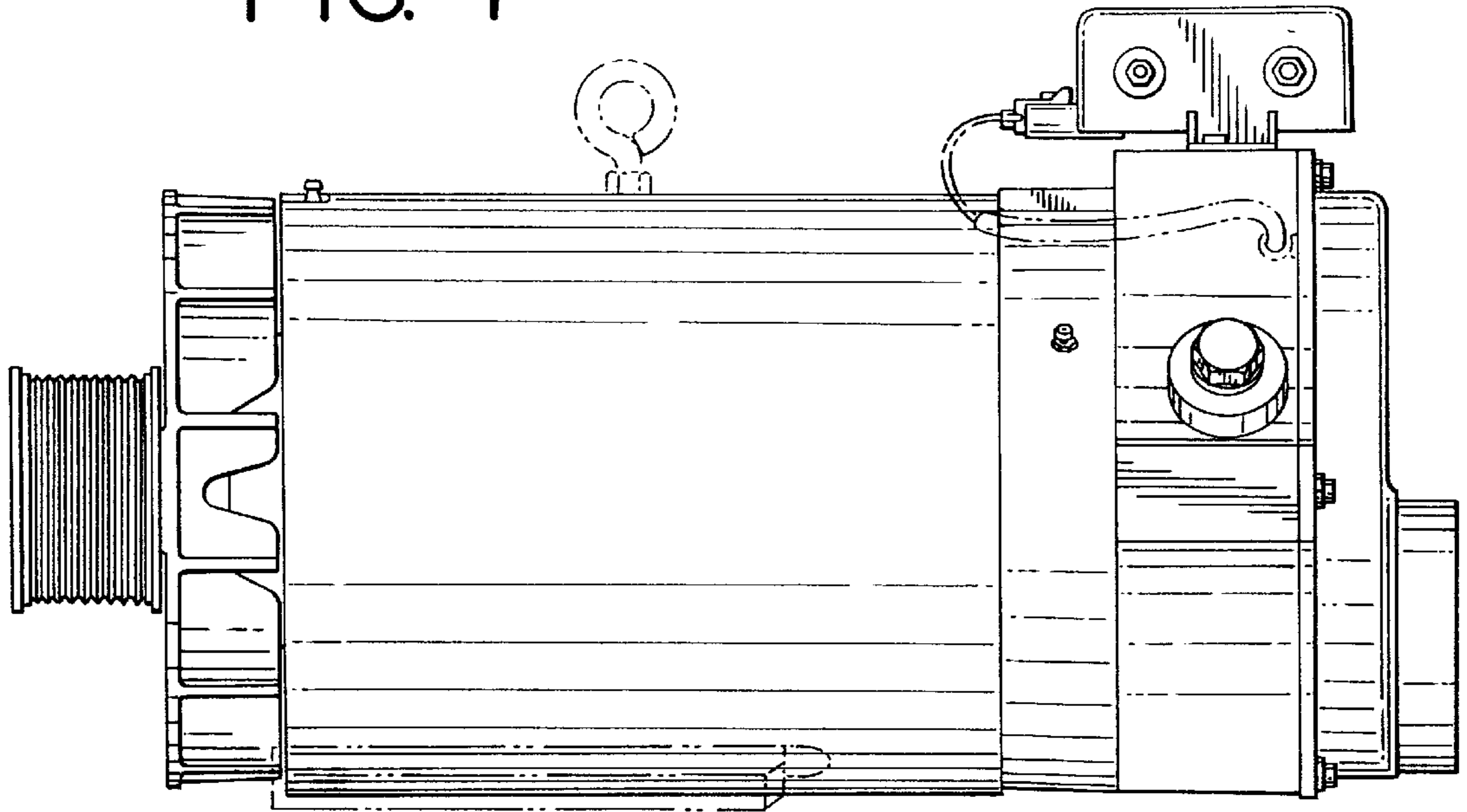


FIG. 5

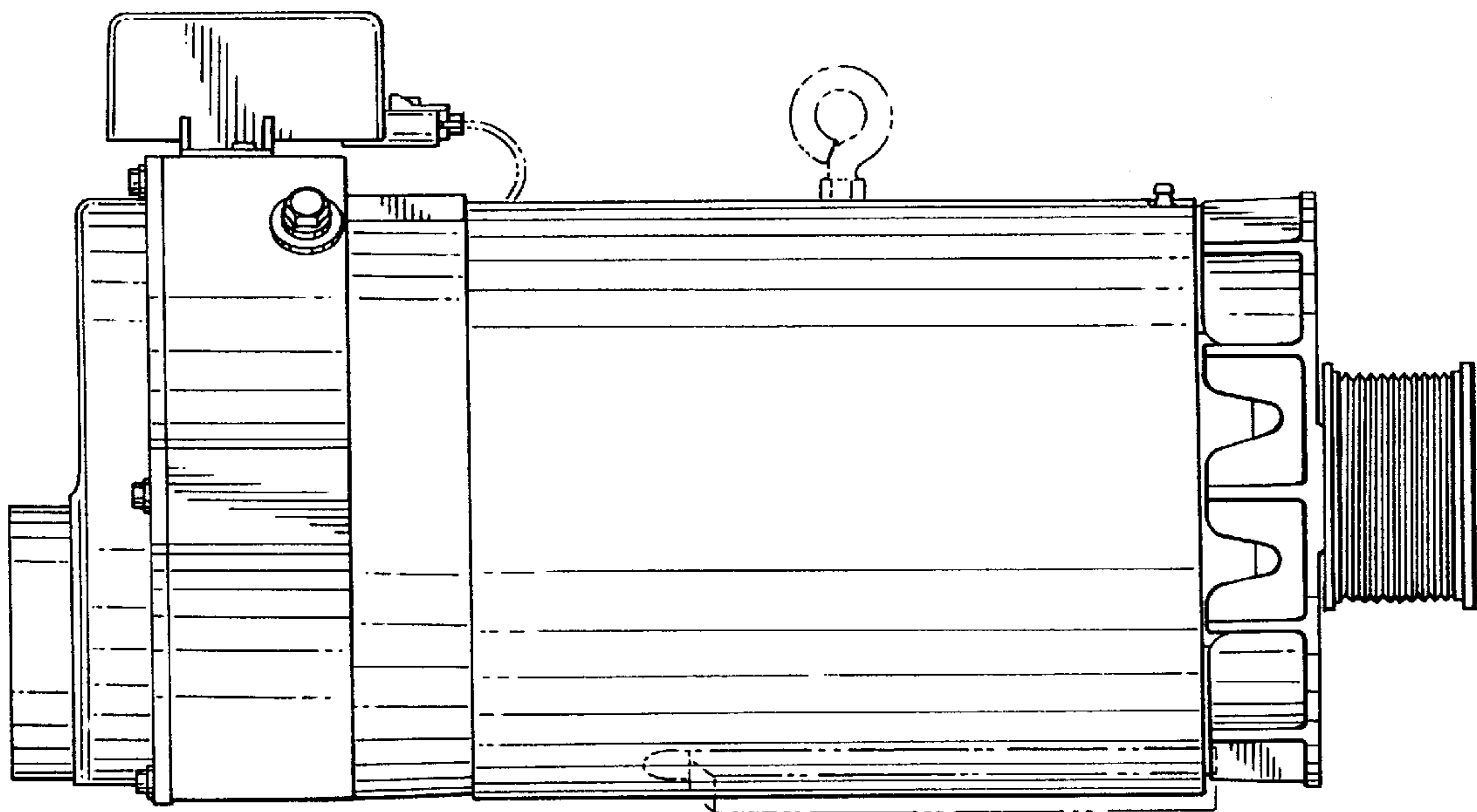




FIG. 6

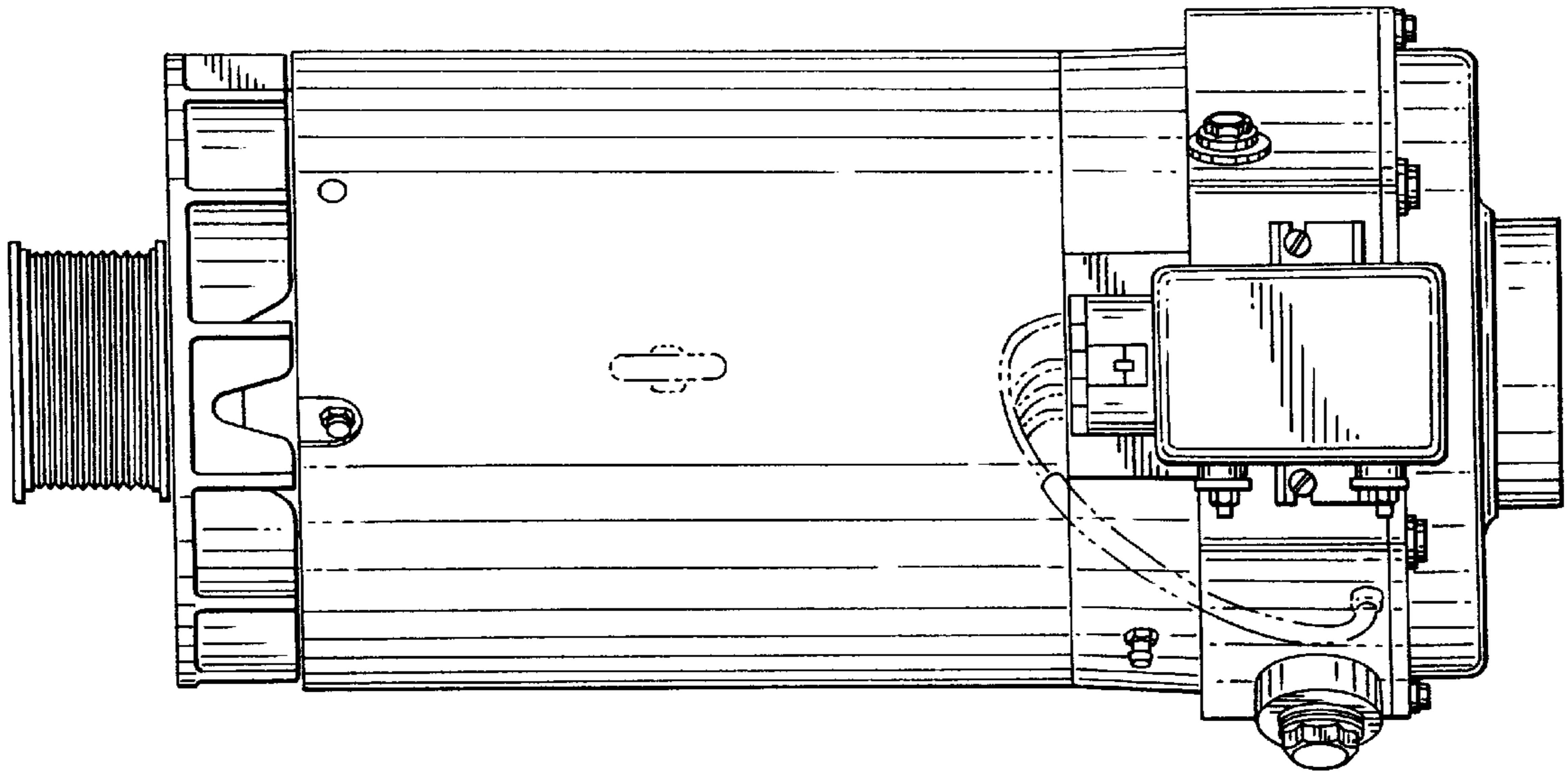
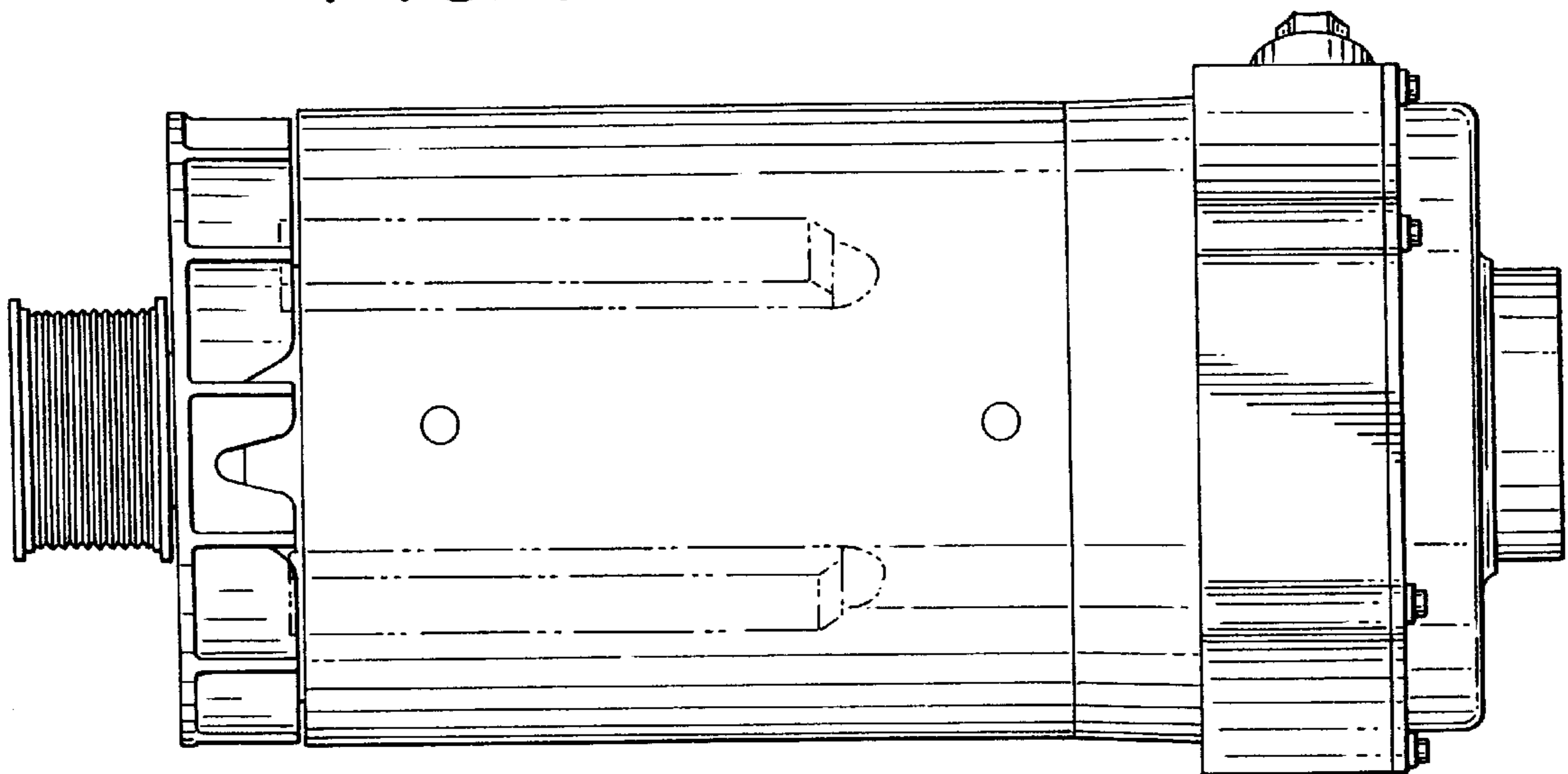


FIG. 7



UNITED STATES PATENT AND TRADEMARK OFFICE  
**CERTIFICATE OF CORRECTION**

PATENT NO. : Des 425,020  
DATED : May 16, 2000  
INVENTOR(S) : James Becker et al.

Page 1 of 1

It is certified that error appears in the above-identified patent and that said Letters Patent is hereby corrected as shown below:

Title page,

Item [56], after line 2, under "U.S. PATENT DOCUMENTS", insert the following:

-- D 306,280 02/1990 Pfeifer et al. --

Signed and Sealed this

Twentieth Day of November, 2001

Attest:

*Nicholas P. Godici*

Attesting Officer

NICHOLAS P. GODICI  
Acting Director of the United States Patent and Trademark Office