



US00D425019S

United States Patent [19] Zheng

[11] Patent Number: **Des. 425,019**

[45] Date of Patent: **** May 16, 2000**

[54] **POWER UNIT**

D. 413,098 8/1999 Dayan D13/110

[75] Inventor: **Li Zheng**, Kowloon, The Hong Kong Special Administrative Region of the People's Republic of China

Primary Examiner—Joel Sincavage
Attorney, Agent, or Firm—Salter & Michaelson

[73] Assignee: **Smart Technologies & Investment Limited**, Kowloon, The Hong Kong Special Administrative Region of the People's Republic of China

[57] **CLAIM**

The ornamental design for a power unit, as shown.

[**] Term: **14 Years**

DESCRIPTION

[21] Appl. No.: **29/108,156**

FIG. 1 is a perspective view of a power unit showing my new design;

[22] Filed: **Jul. 21, 1999**

FIG. 2 is a front elevational view thereof;

[51] **LOC (7) Cl.** **13-02**

[52] **U.S. Cl.** **D13/110**

[58] **Field of Search** D13/110, 106,
D13/123; 307/150

FIG. 3 is a rear elevational view thereof;

FIG. 4 is a top plan view thereof;

FIG. 5 is a bottom plan view thereof;

FIG. 6 is a left side elevational view thereof; and,

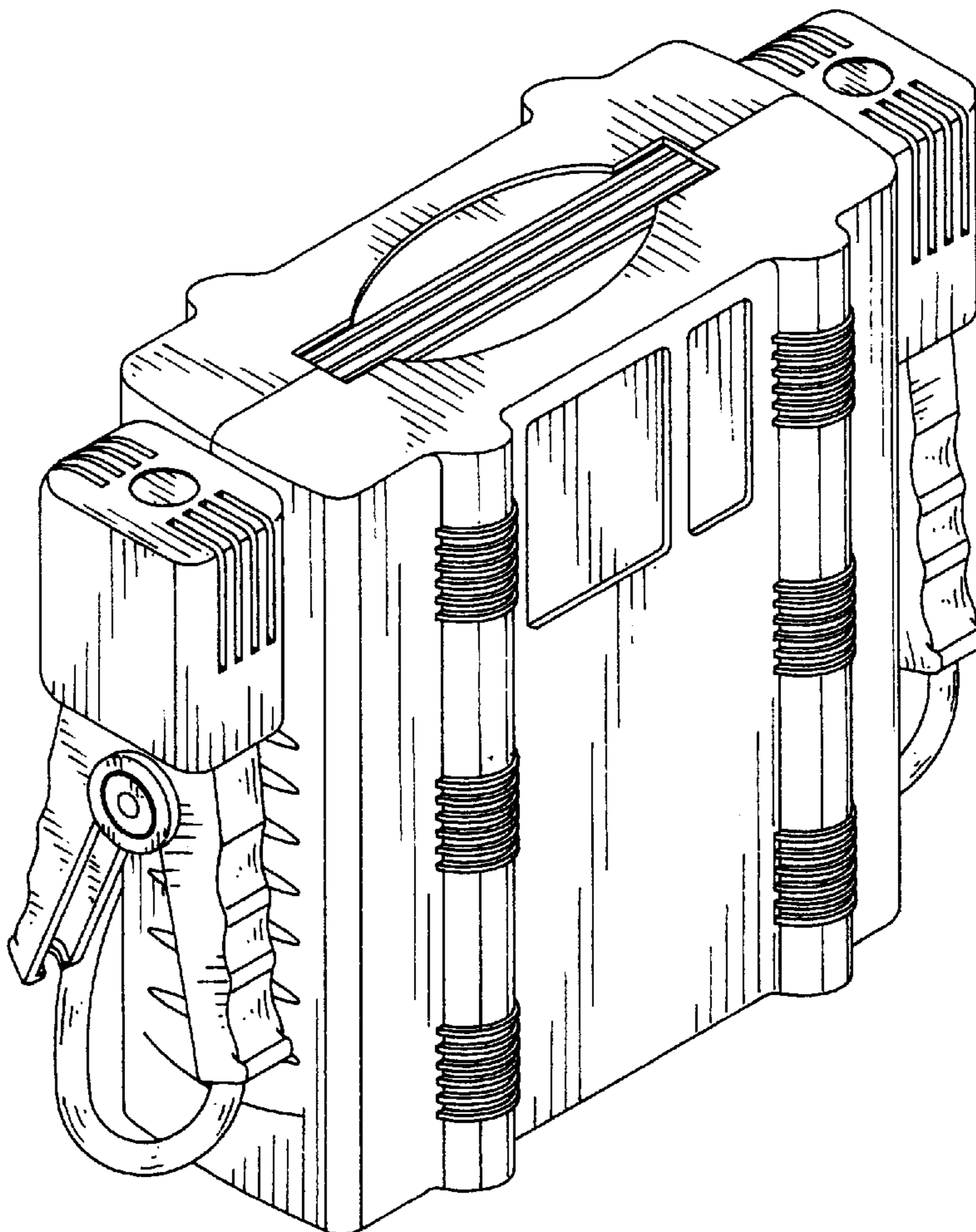
FIG. 7 is a right side elevational view thereof.

[56] **References Cited**

U.S. PATENT DOCUMENTS

D. 374,859 10/1996 Guay et al. D13/110

1 Claim, 3 Drawing Sheets



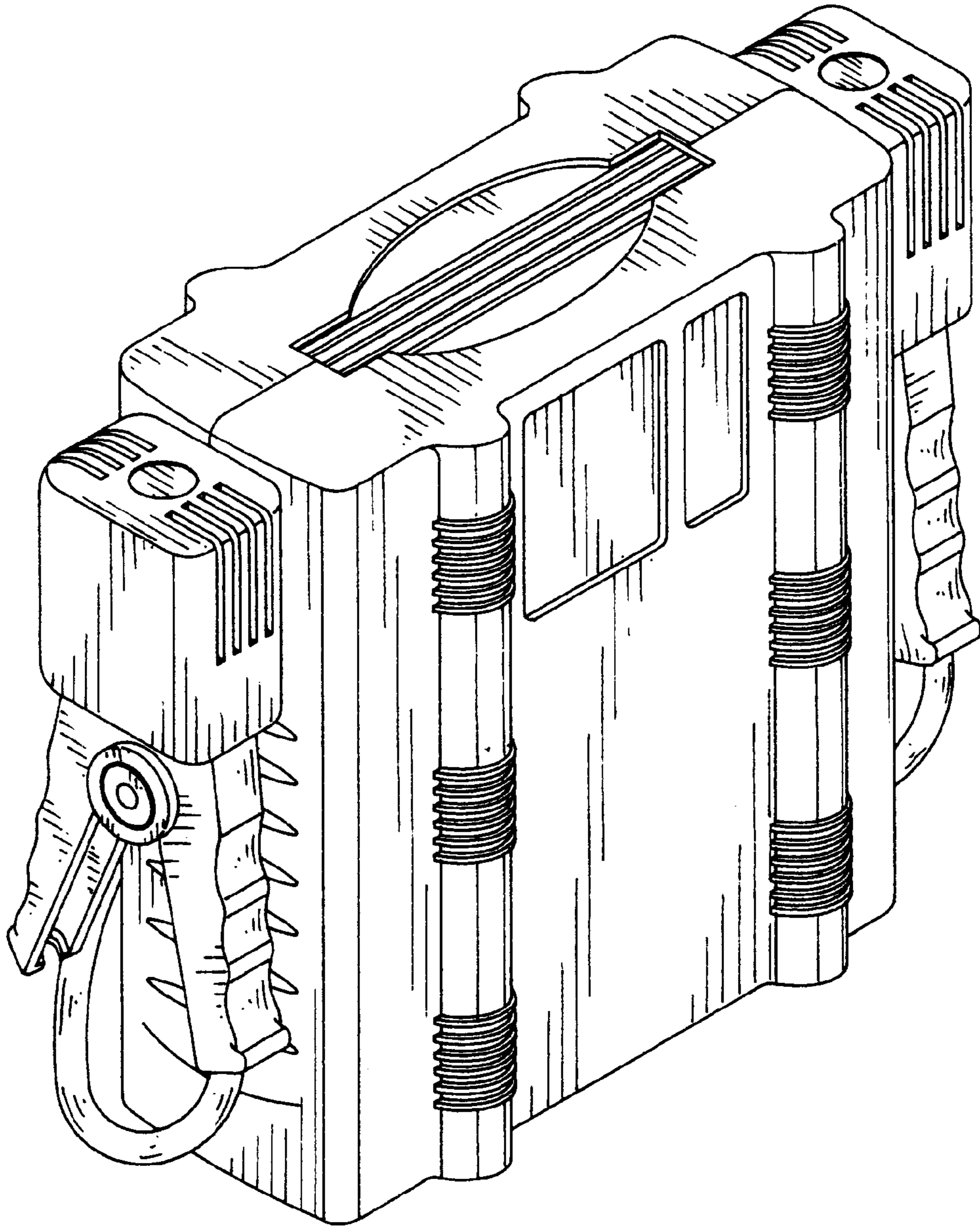


FIG. 1

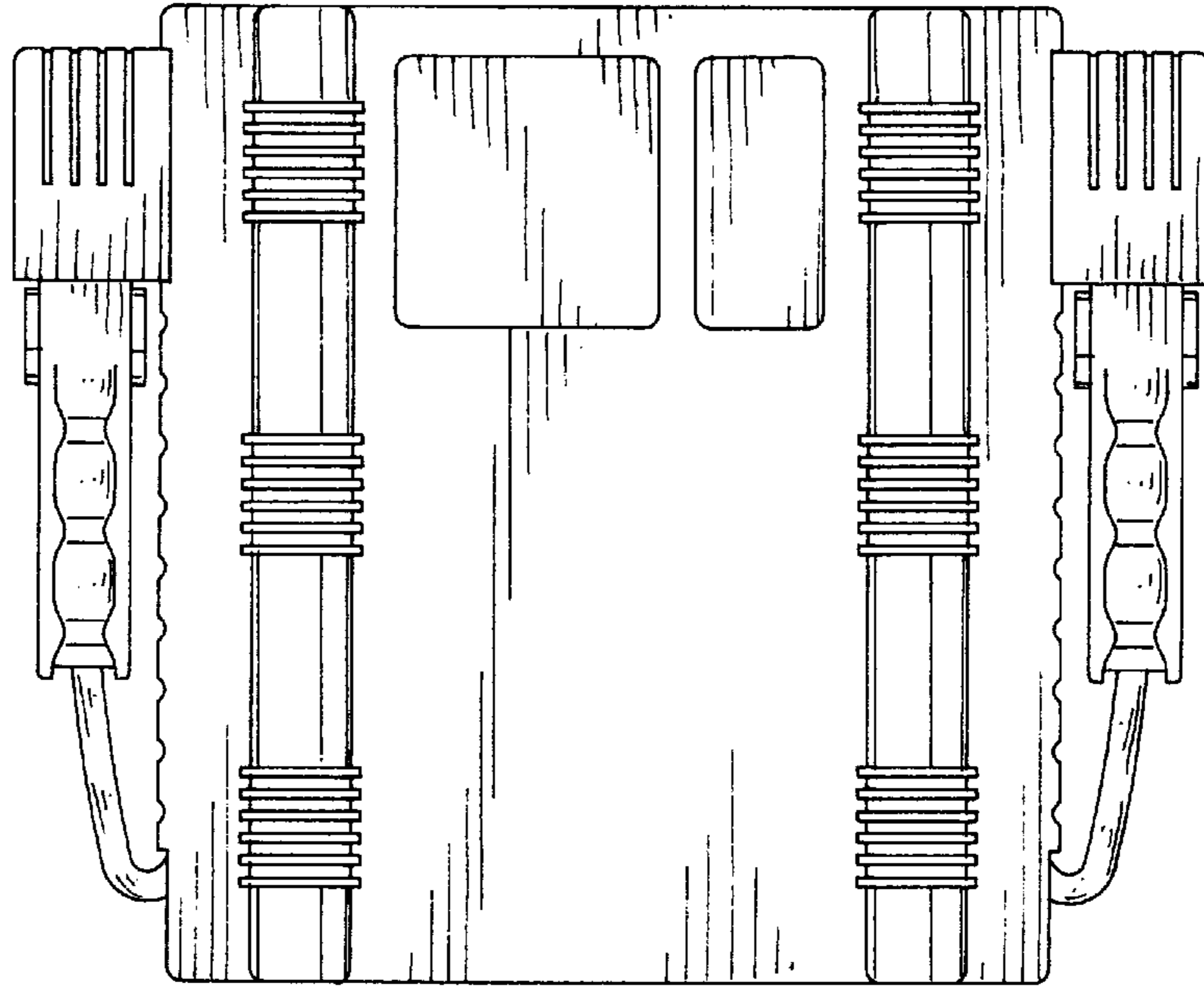


FIG. 2

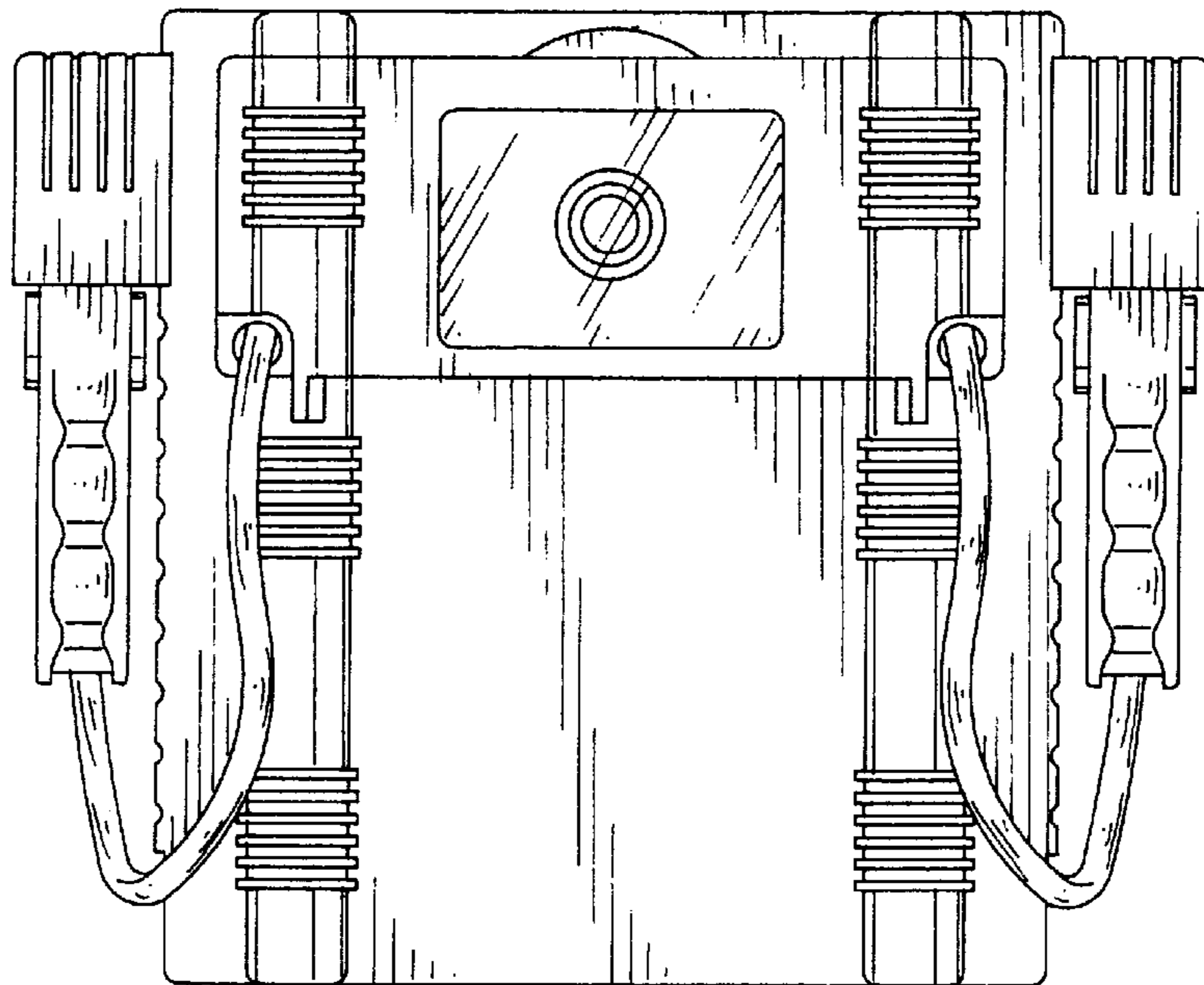


FIG. 3

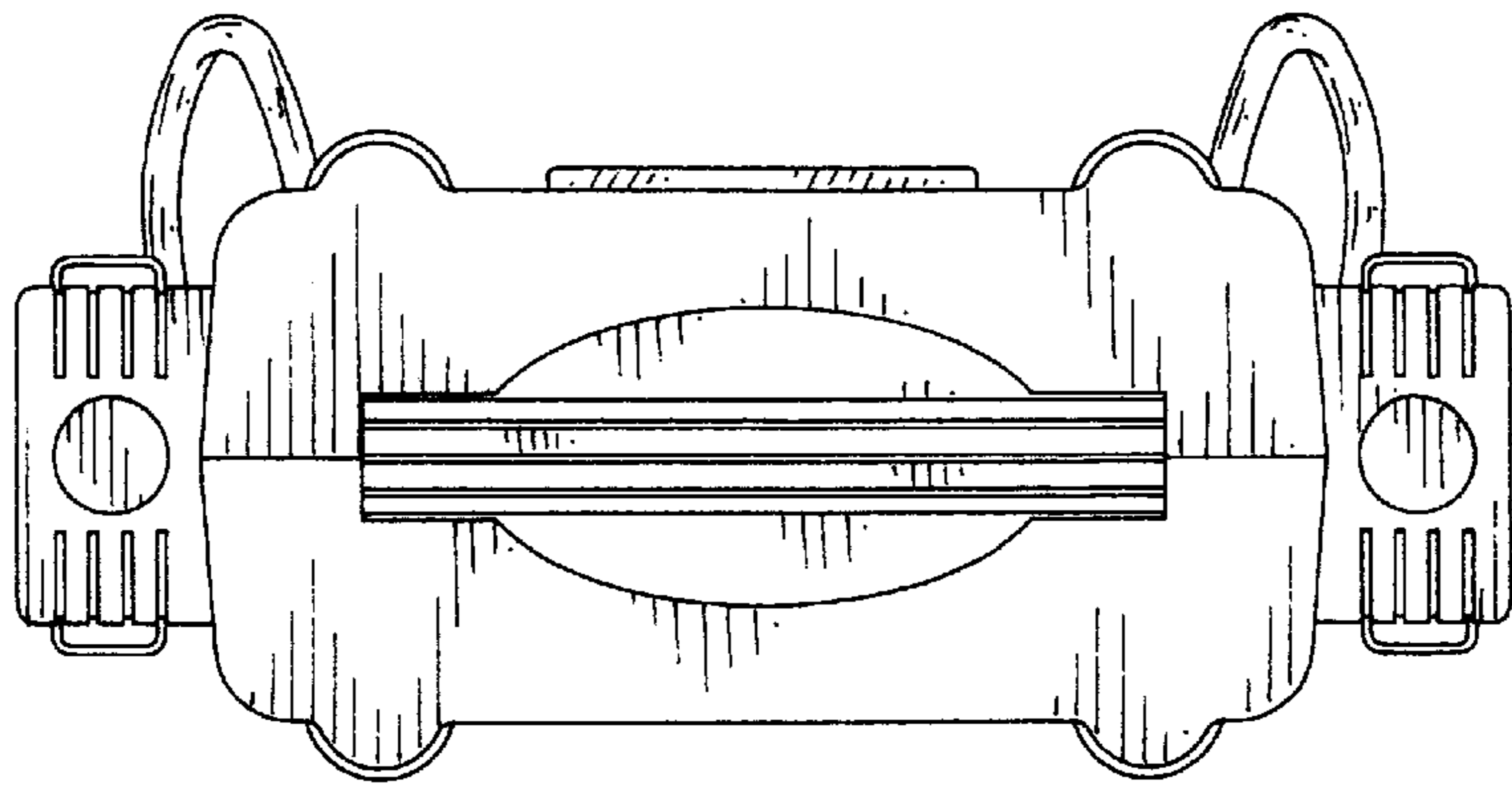


FIG. 4

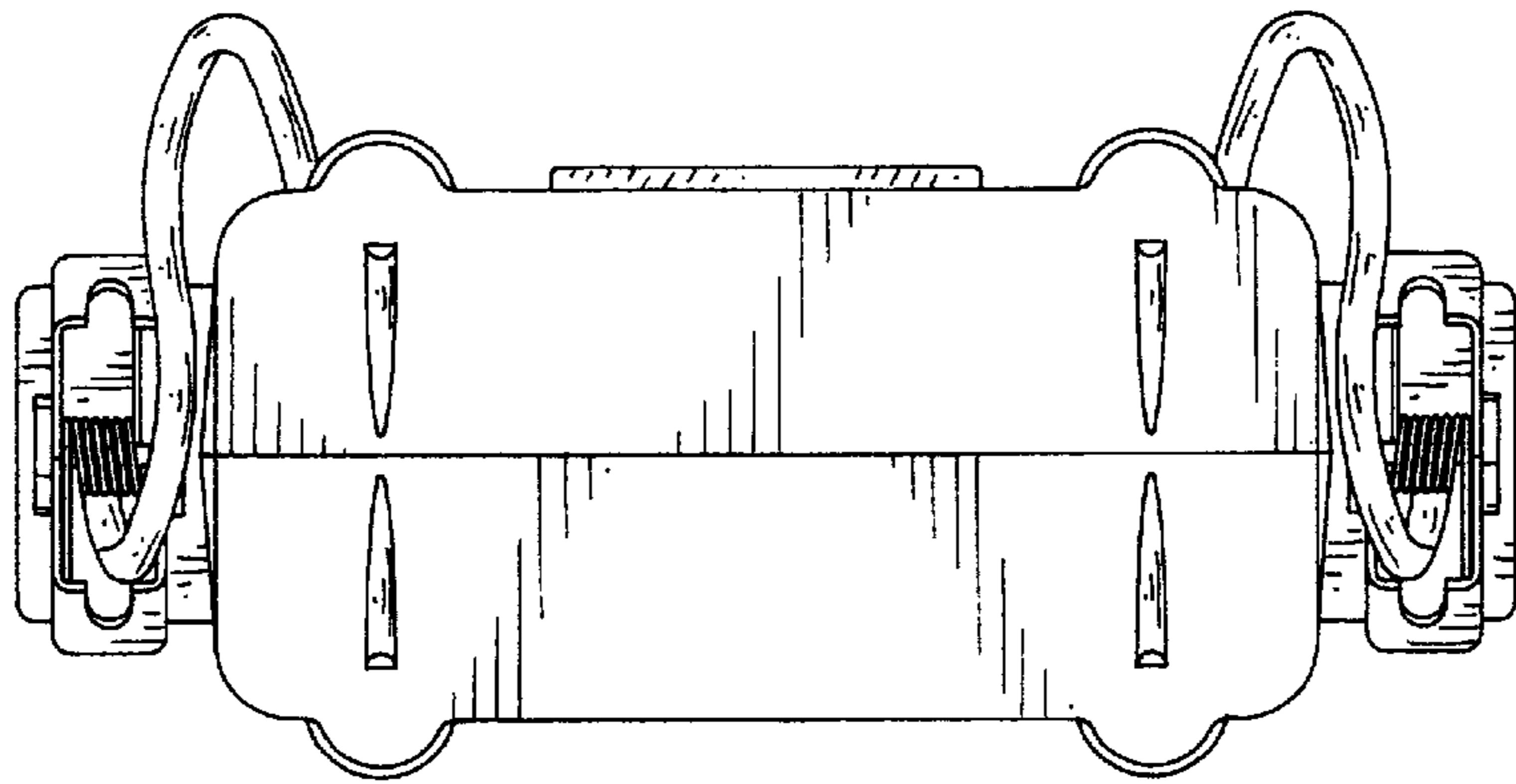


FIG. 5

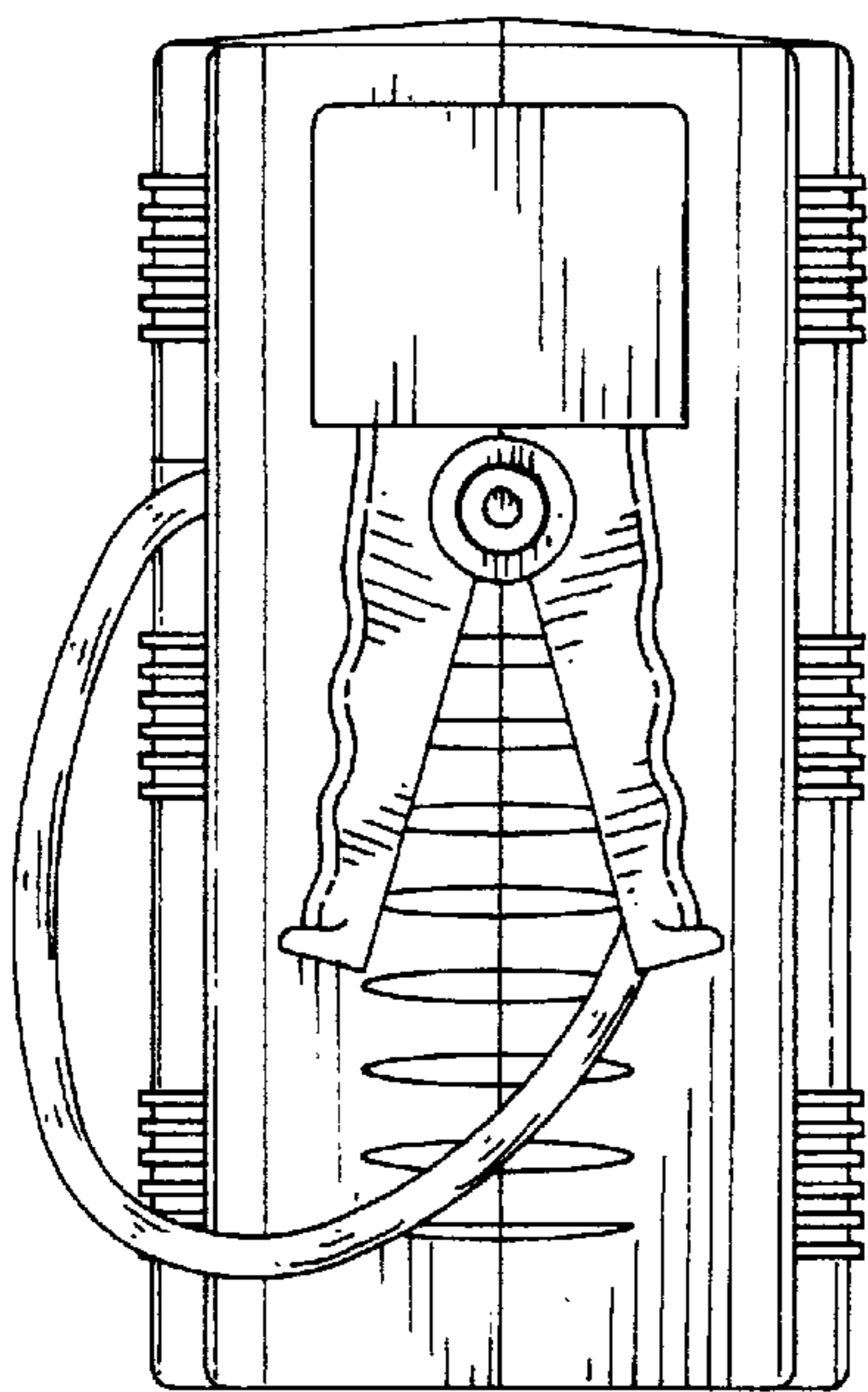


FIG. 6

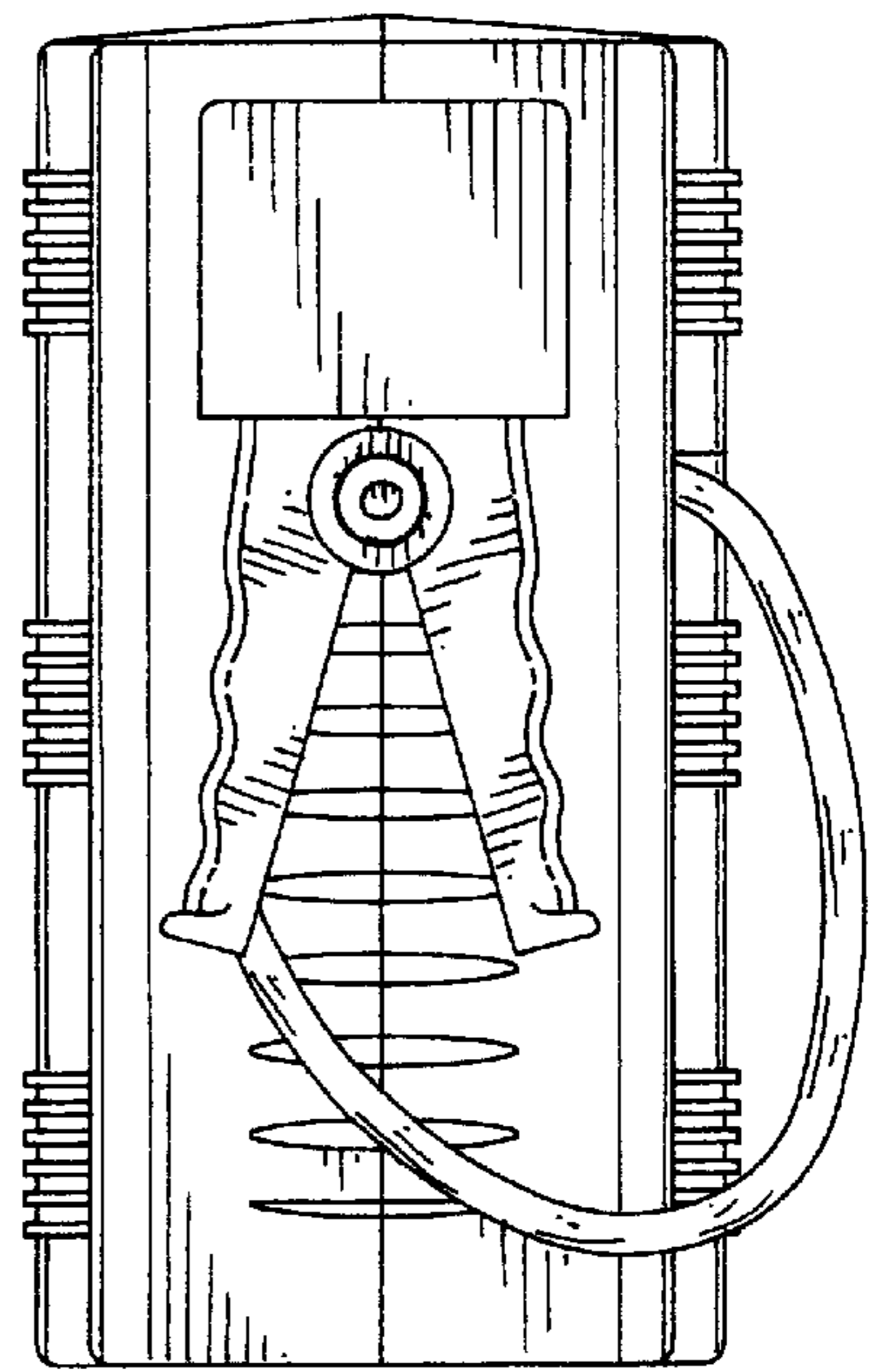


FIG. 7