



US00D425018S

United States Patent [19]

Madura et al.

[11] Patent Number: **Des. 425,018**

[45] Date of Patent: **** May 16, 2000**

[54] **PORTABLE AC POWER SOURCE**

[76] Inventors: **David Madura**, 4299 5th Ave., San Diego, Calif. 92103; **Daryl Bever**, 17439 Lyons Creek Rd., Jamul, Calif. 91935; **Dennis Lieurance**, 1053 Honeysuckle Dr., San Marcos, Calif. 92069

[**] Term: **14 Years**

[21] Appl. No.: **29/107,796**

[22] Filed: **Jul. 14, 1999**

[51] **LOC (7) Cl.** **13-02**

[52] **U.S. Cl.** **D13/110**

[58] **Field of Search** D13/110, 109; 307/150

[56] **References Cited**

U.S. PATENT DOCUMENTS

D. 138,383 7/1944 Whitesell et al. D13/110

D. 149,364	4/1948	Kern	D13/110
D. 163,645	9/1951	Shuler et al.	D13/109
D. 248,942	8/1978	Kniss	D13/109
D. 327,468	6/1992	Dea et al.	D13/190 X
2,565,273	8/1951	Shuler et al.	320/105
4,376,250	3/1983	Baker, Jr. et al.	307/150
5,111,127	5/1992	Johnson	320/114 X
5,574,622	11/1996	Brown	307/150 X

Primary Examiner—Joel Sincavage
Attorney, Agent, or Firm—Frank D. Gilliam

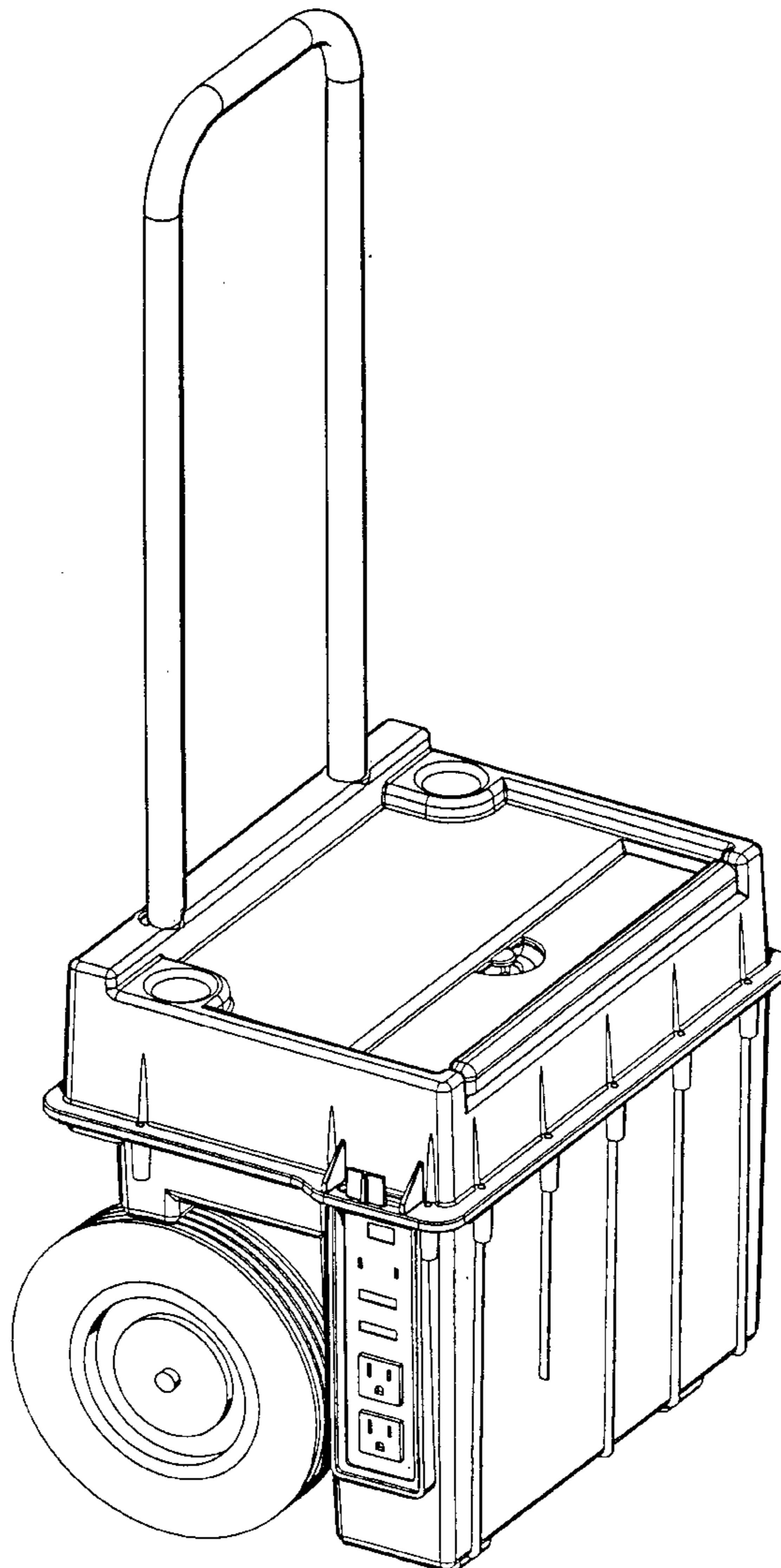
[57] **CLAIM**

The ornamental design for a portable AC power source, as shown and described.

DESCRIPTION

FIG. 1 is a perspective view of the top, front and one side of the portable AC power source of the invention, and, FIG. 2 is a perspective view of the back, bottom and the opposite side shown in FIG. 1.

1 Claim, 2 Drawing Sheets



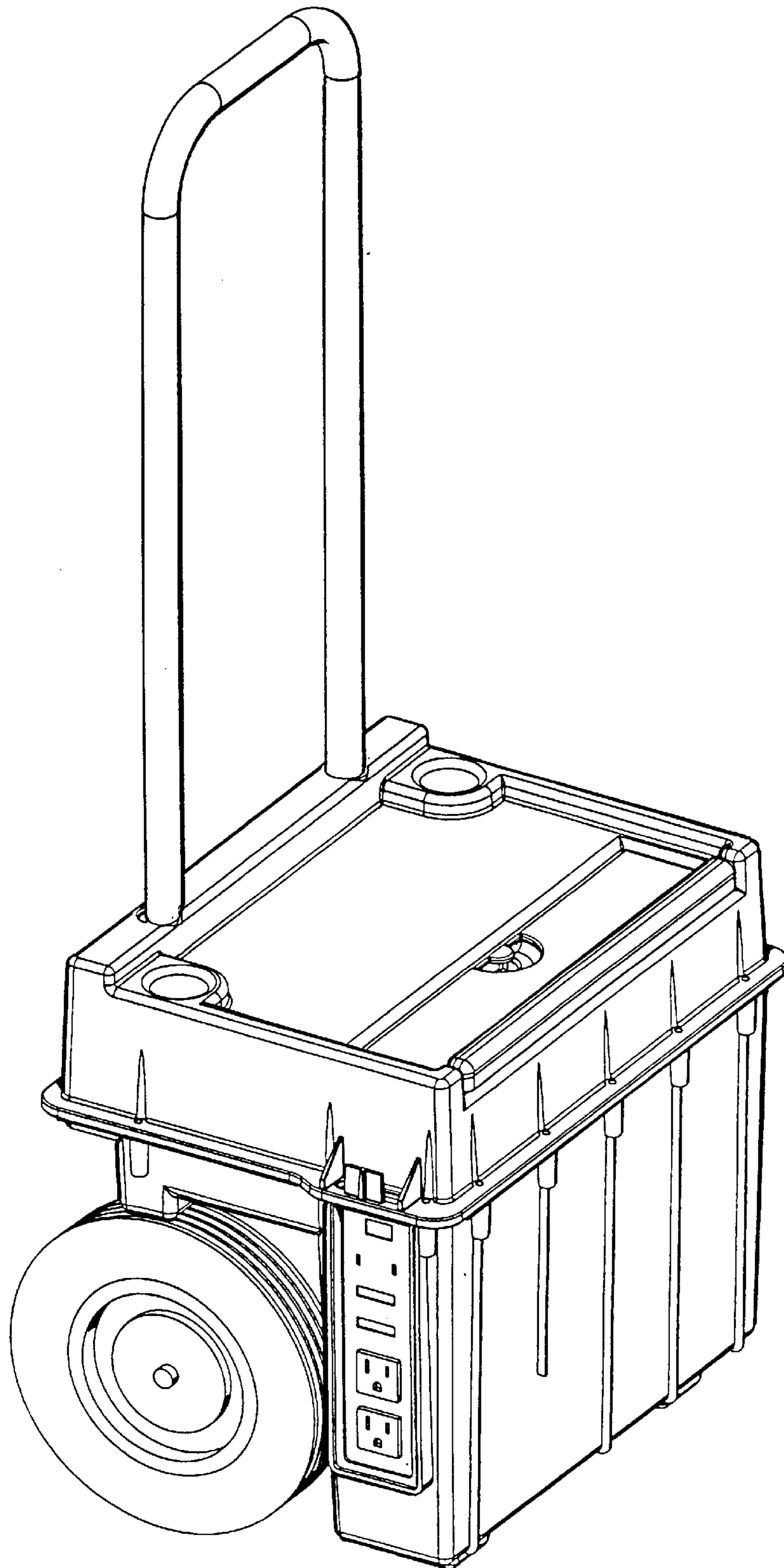


FIGURE 1

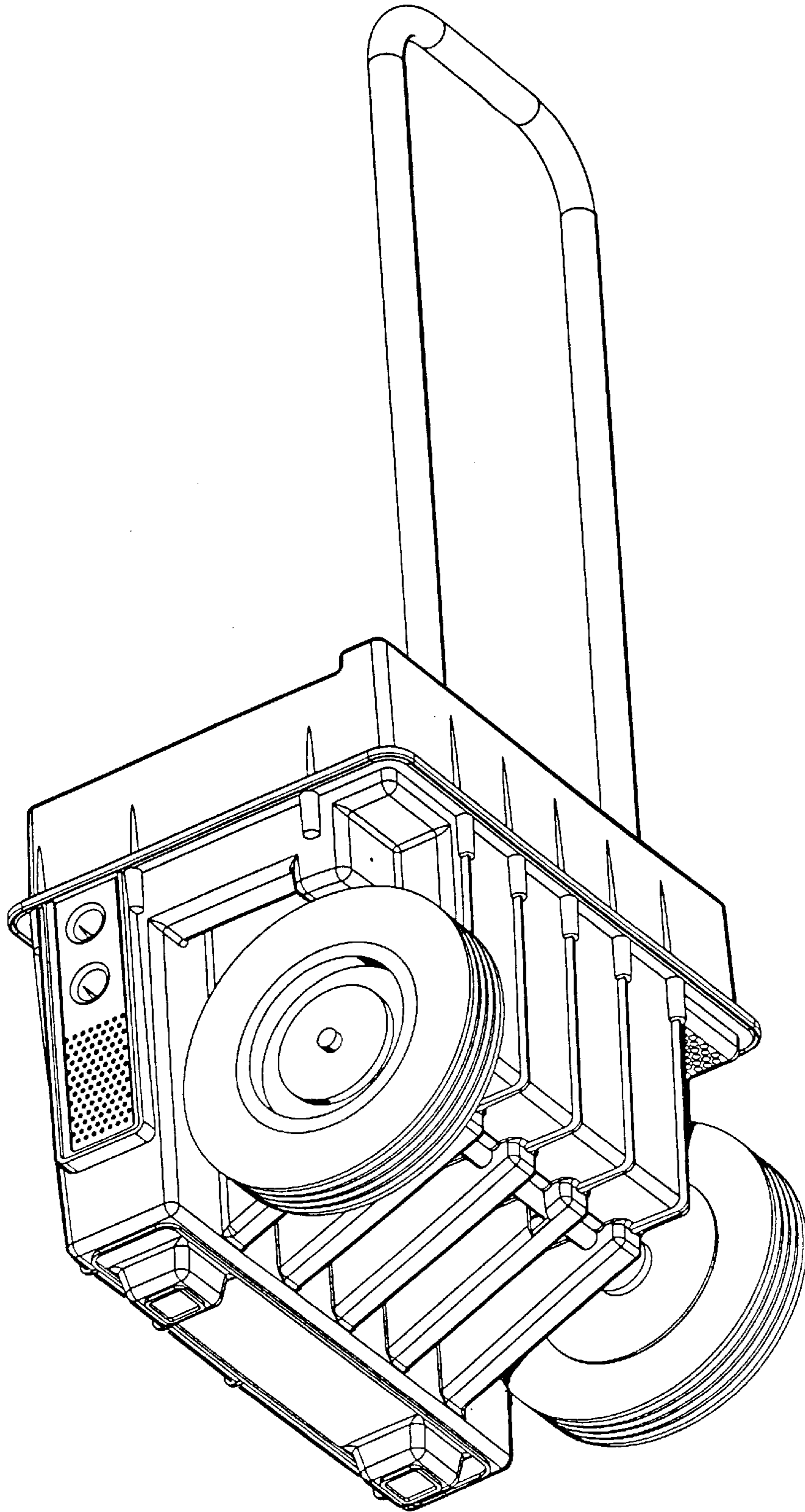


FIGURE 2