



US00D425014S

United States Patent [19]

Willkens et al.

[11] Patent Number: **Des. 425,014**

[45] Date of Patent: **** May 16, 2000**

[54] **BATTERY PACK**

[75] Inventors: **Matthew F. Willkens**, Seattle; **Andrew E. Reynolds**, Bothell, both of Wash.; **Kevin C. Johnson**, Minneapolis, Minn.

[73] Assignee: **Intermec IP Corporation**, Beverly Hills, Calif.

[**] Term: **14 Years**

[21] Appl. No.: **29/104,969**

[22] Filed: **May 12, 1999**

Related U.S. Application Data

[62] Division of application No. 29/089,419, Jun. 15, 1998.

[51] **LOC (7) Cl.** **13-02**

[52] **U.S. Cl.** **D13/103**

[58] **Field of Search** D13/103; 429/96-100, 429/163, 176

[56] References Cited

U.S. PATENT DOCUMENTS

- D. 355,108 2/1995 Geis et al. D13/138.1
- D. 398,581 9/1998 Chang D13/138.1
- D. 400,855 11/1998 Lee D13/138.1

- 2,301,258 11/1942 Corlew D13/138.1 X
- 4,086,523 4/1978 Izumi 320/2
- 4,530,034 7/1985 Kawarda 362/9
- 4,637,965 1/1987 Davis 429/1
- 4,737,420 4/1988 Ikeda et al. 429/1
- 4,969,206 11/1990 Desrochers 455/89
- 5,111,128 5/1992 Branam, Jr. et al. 320/2
- 5,227,262 7/1993 Ozer 429/98

Primary Examiner—Joel Sincavage
Attorney, Agent, or Firm—Seed and Berry LLP

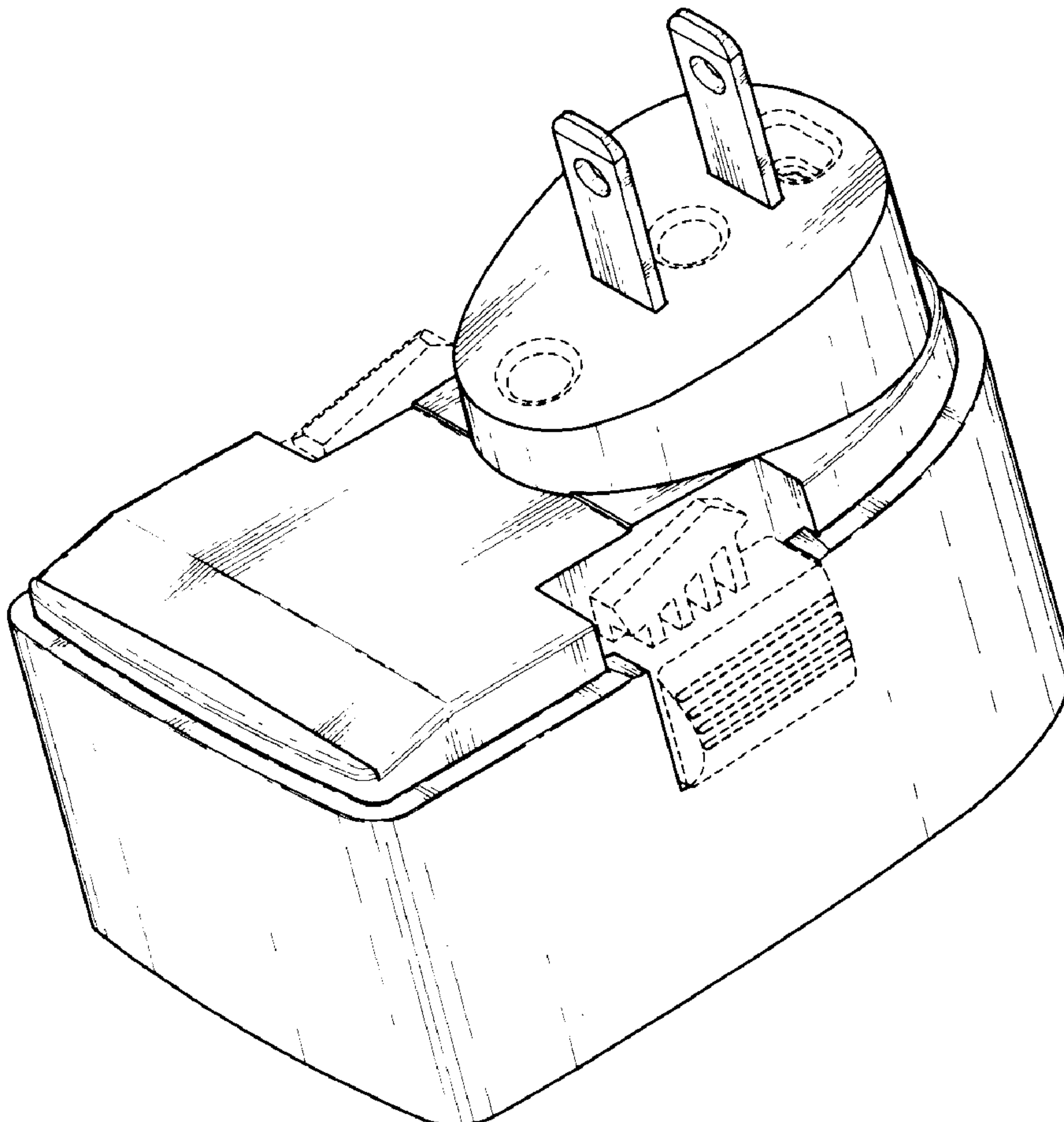
[57] CLAIM

The ornamental design for a battery pack, as shown and described.

DESCRIPTION

FIG. 1 is a front elevational view of a battery pack.
 FIG. 2 is a front elevational view thereof.
 FIG. 3 is a rear elevational view thereof.
 FIG. 4 is a right side elevational view thereof; the left side elevational view is a mirror image thereof.
 FIG. 5 is a top plan view thereof; and,
 FIG. 6 is a bottom plan view thereof.
 The broken line showing throughout the drawing illustrate features of the battery pack which form no part of the claimed design.

1 Claim, 2 Drawing Sheets



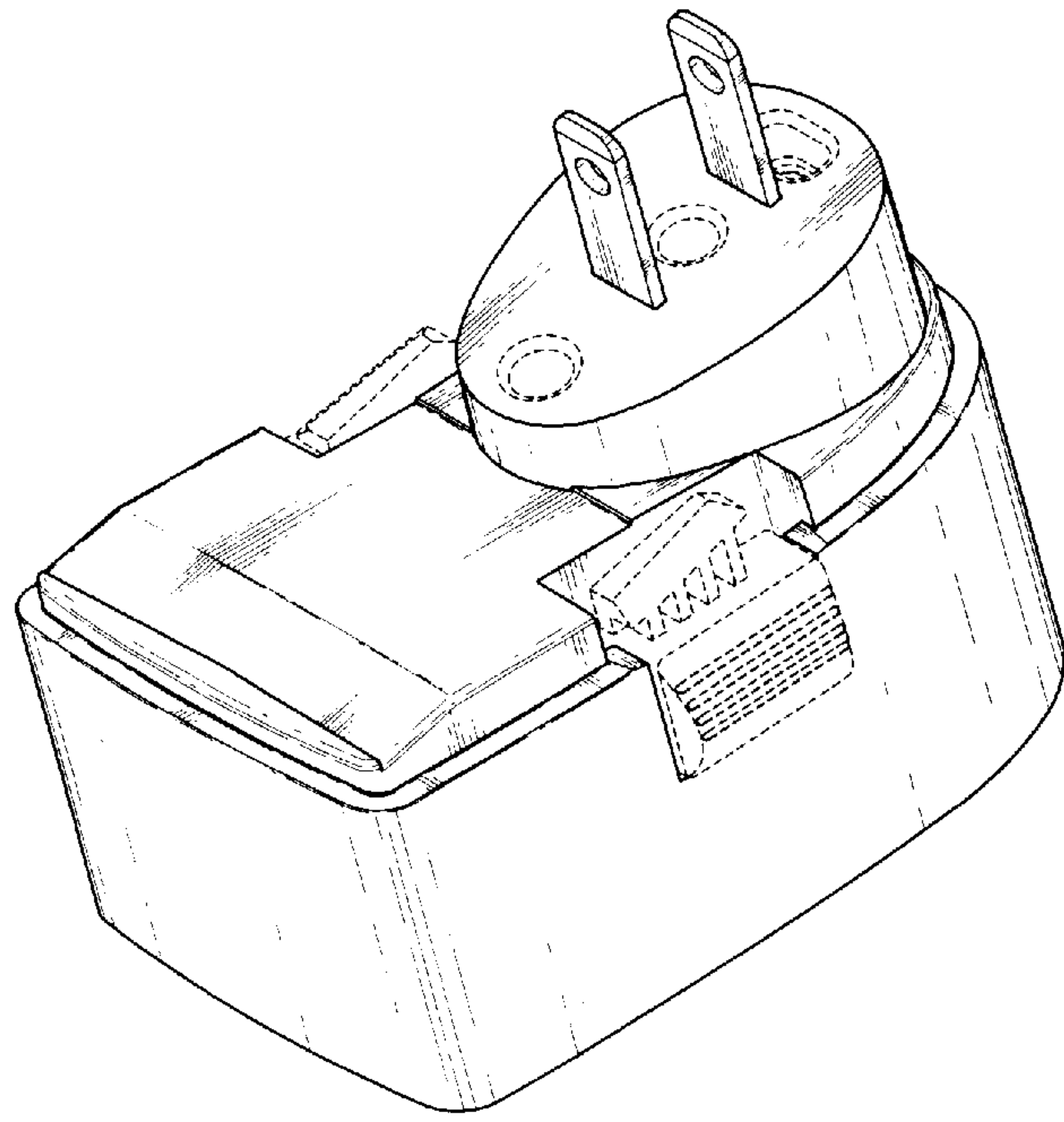


Fig. 1

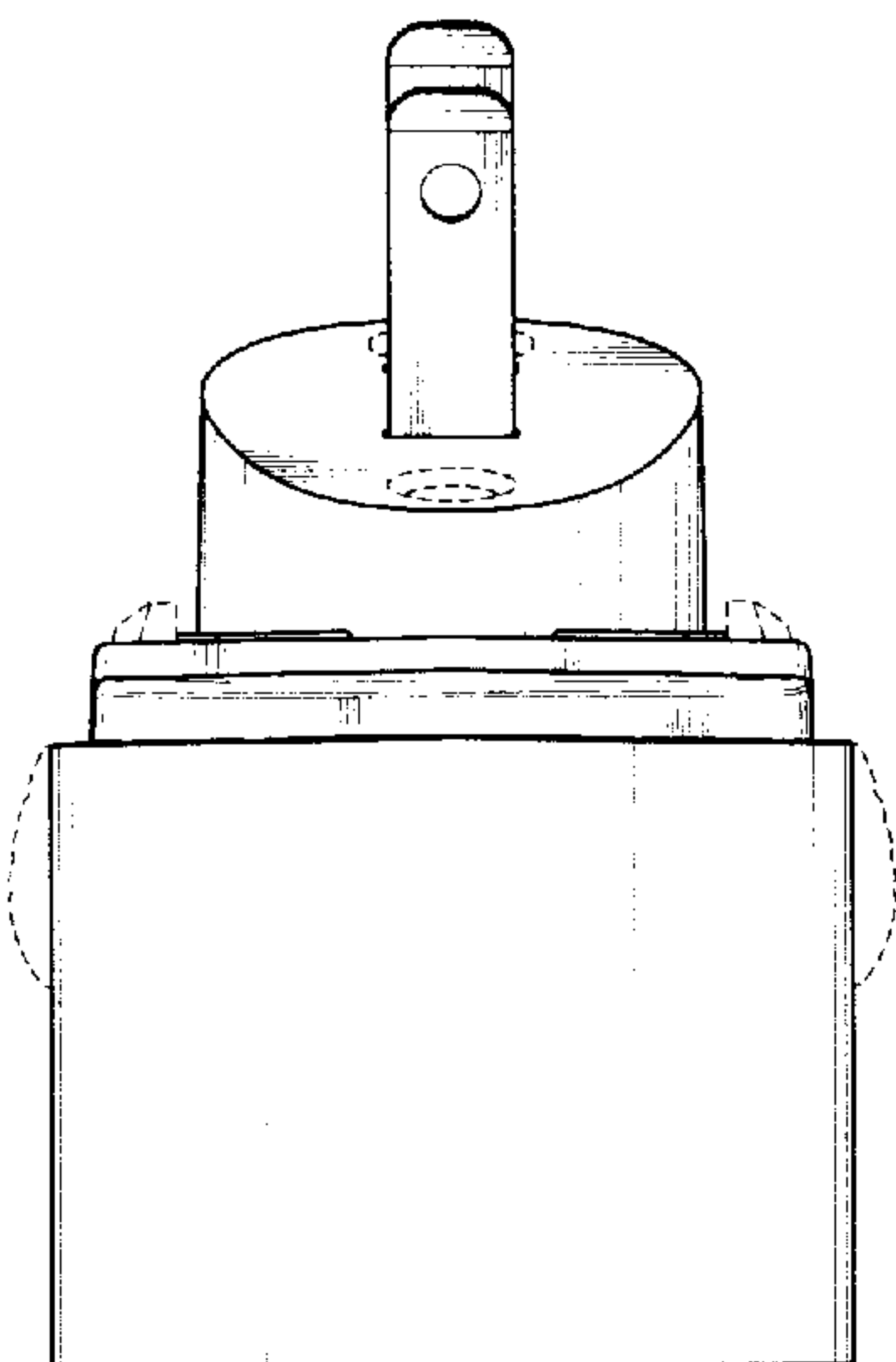


Fig. 2

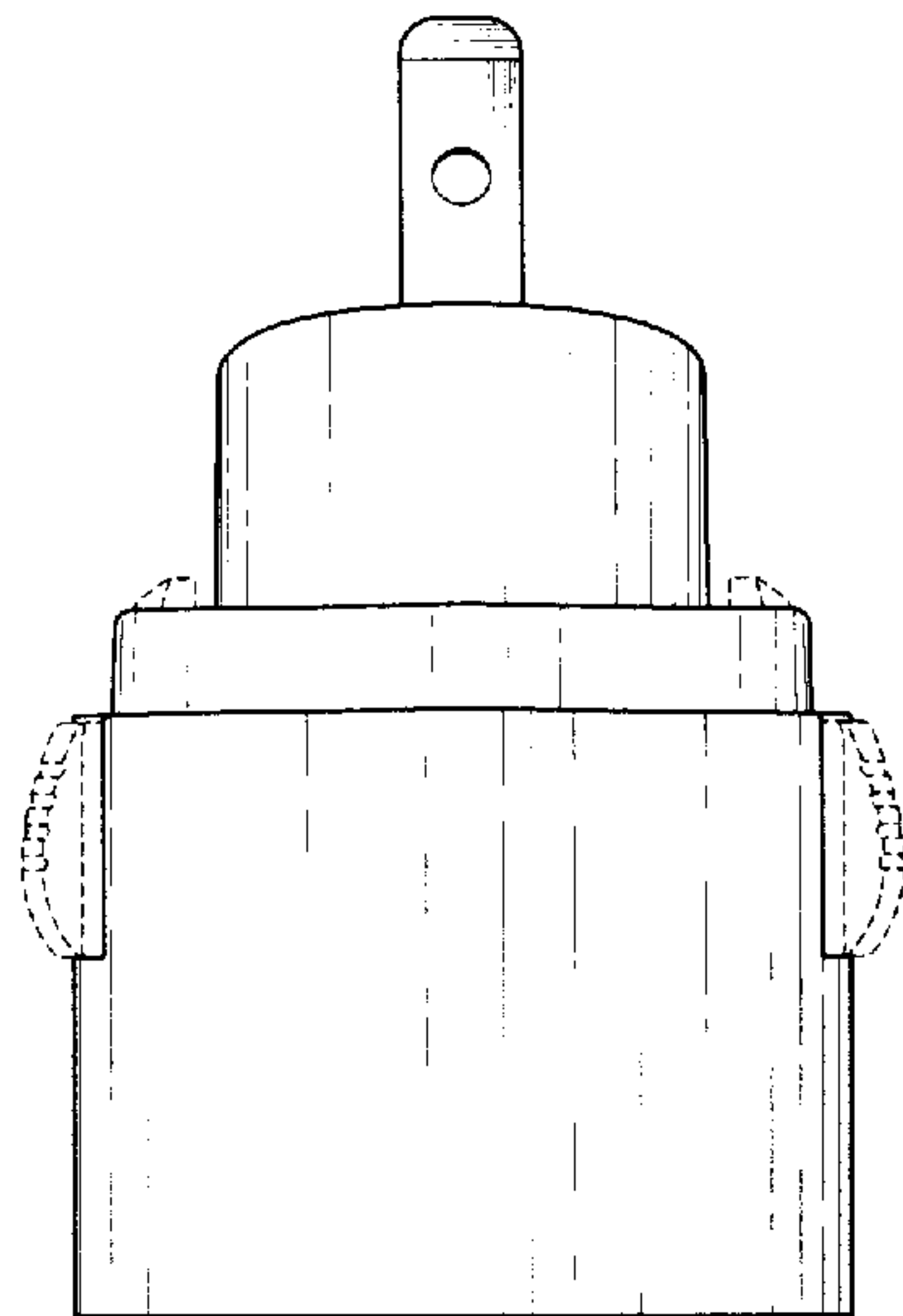


Fig. 3

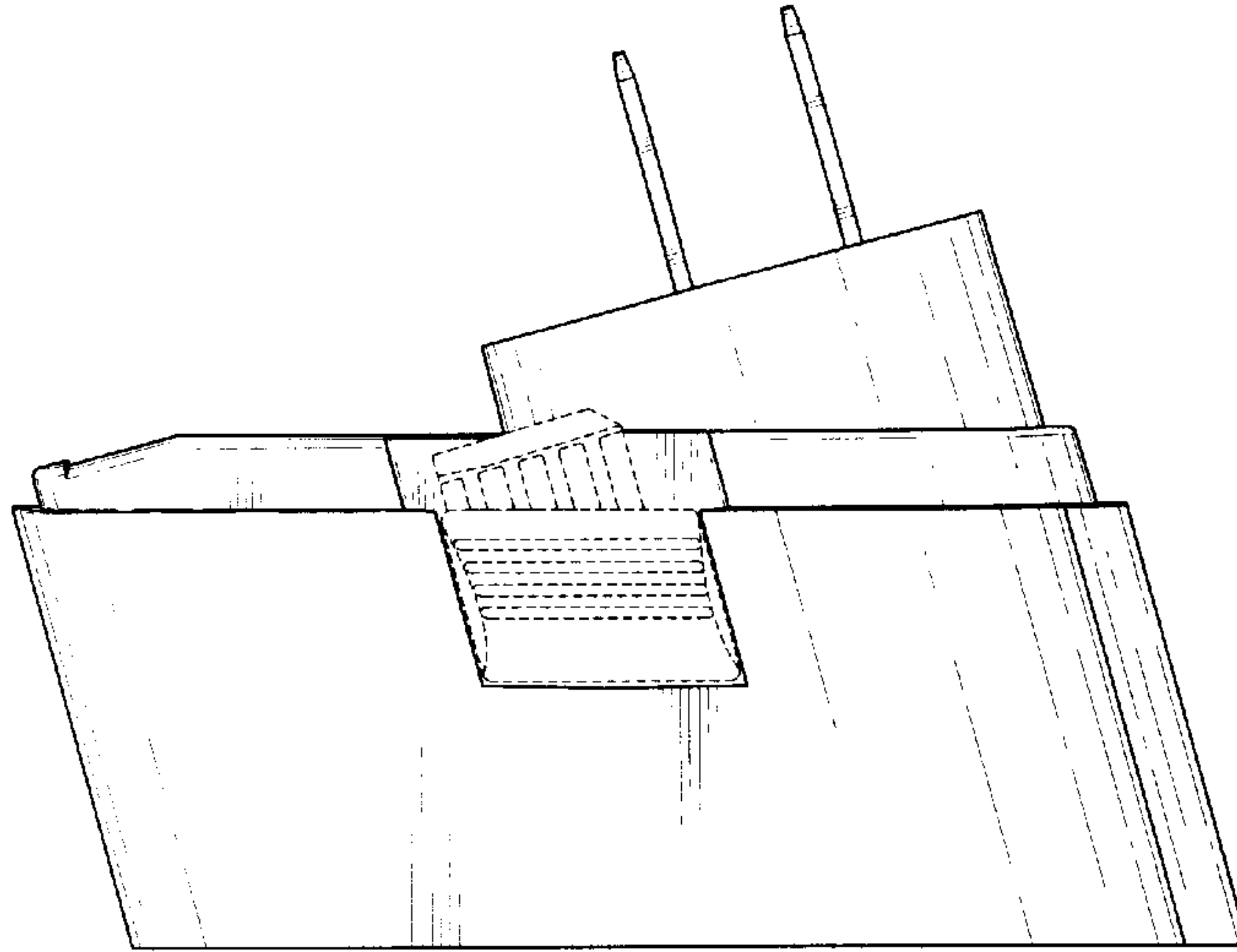


Fig. 4

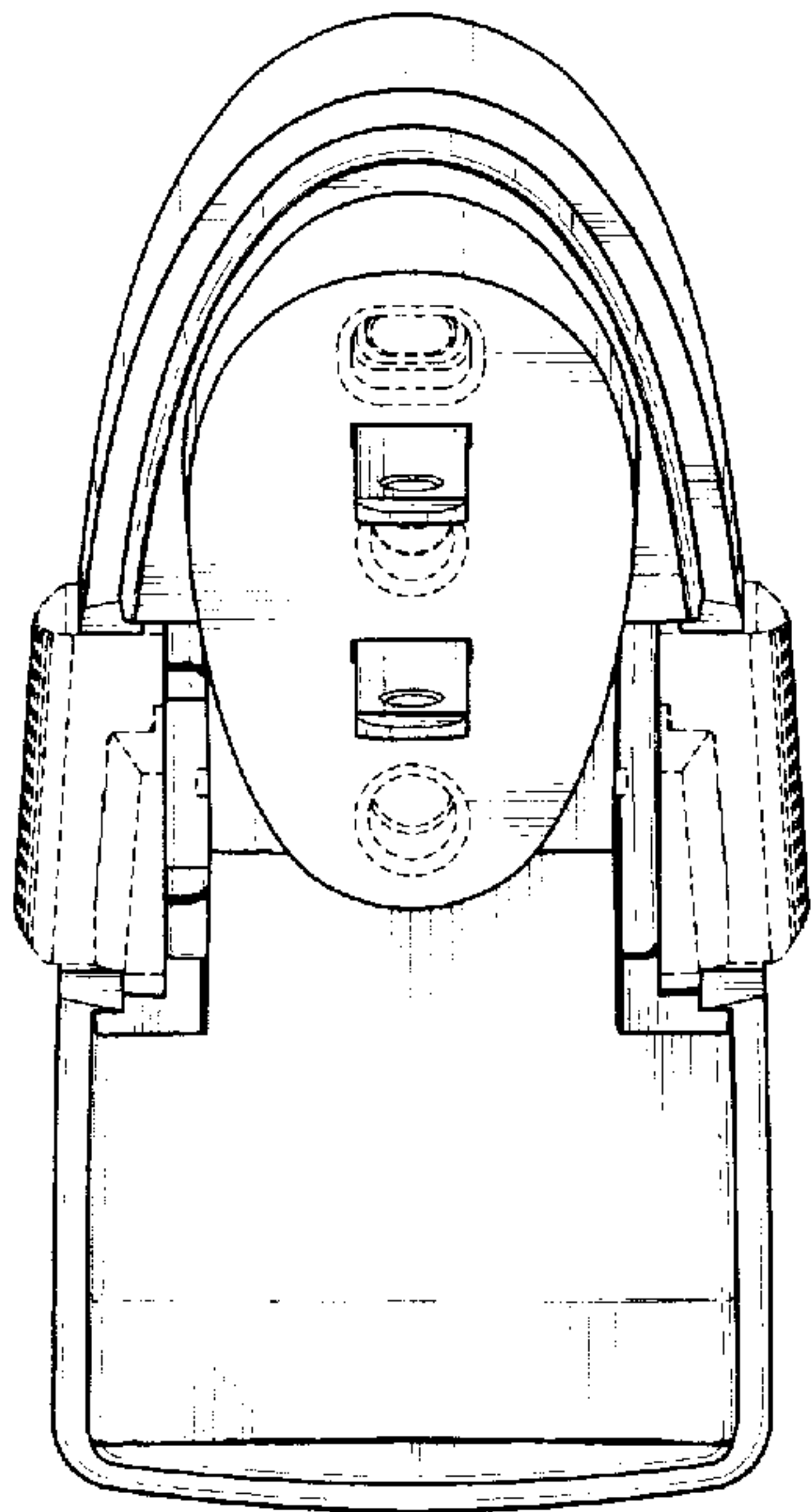


Fig. 5

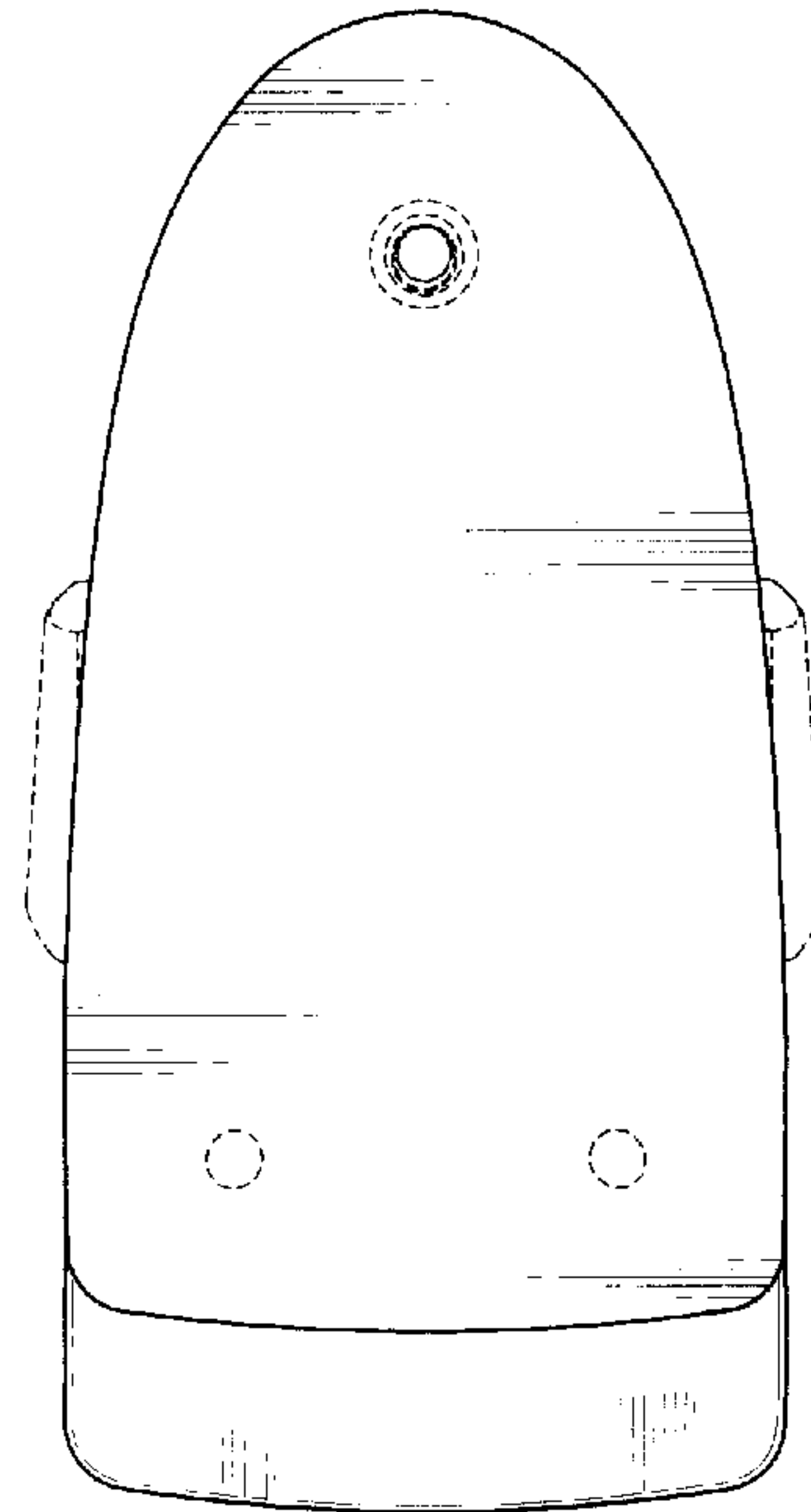


Fig. 6

UNITED STATES PATENT AND TRADEMARK OFFICE
CERTIFICATE OF CORRECTION

PATENT NO. : Des. 425,014
DATED : May 16, 2000
INVENTOR(S) : Willkens et al.

Page 1 of 1

It is certified that error appears in the above-identified patent and that said Letters Patent is hereby corrected as shown below:

The description of Figure 1 should read:
FIG.1 is a top isometric view of a BATTERY PACK.

Signed and Sealed this
Twelfth Day of June, 2001

Nicholas P. Godici

Attest:

Attesting Officer

NICHOLAS P. GODICI
Acting Director of the United States Patent and Trademark Office