



US00D425013S

United States Patent [19] Lai

[11] Patent Number: Des. 425,013

[45] Date of Patent: ** May 16, 2000

[54] SOLAR COLLECTOR

4,346,694 8/1982 Moan 126/655
5,931,156 8/1999 Wang et al. 126/635

[76] Inventor: Herman Lai, No. 30, Da Gin Street,
Taichung, Taiwan

Primary Examiner—Joel Sincavage

[**] Term: 14 Years

[57] CLAIM

[21] Appl. No.: 29/097,118

The ornamental design for a solar collector, as shown and described.

[22] Filed: Nov. 30, 1998

DESCRIPTION

[51] LOC (7) Cl. 13-02

FIG. 1 is a perspective view of a solar collector showing my new design;

[52] U.S. Cl. D13/102

FIG. 2 is a front elevational view thereof;

[58] Field of Search D13/102; D23/263;
126/649, 675, 623, 635; 156/245

FIG. 3 is a rear elevational view thereof;

FIG. 4 is a top plan view thereof;

FIG. 5 is a bottom plan view thereof;

[56] References Cited

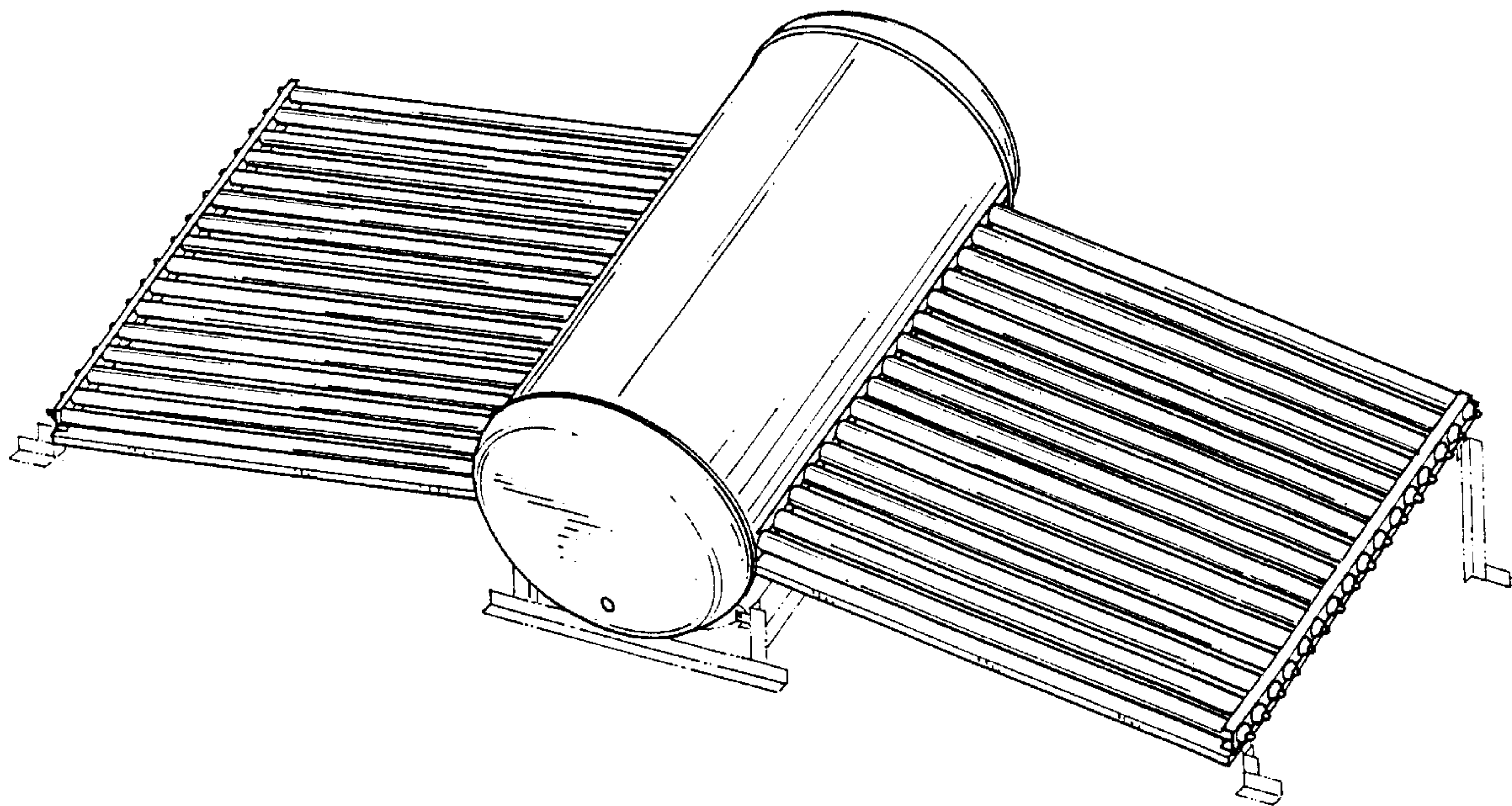
U.S. PATENT DOCUMENTS

D. 273,804	5/1984	Fueloep	D23/263
D. 312,069	11/1990	Williamson et al.	D13/102
3,937,208	2/1976	Katz	126/623
4,153,042	5/1979	Tragert	126/649
4,312,687	1/1982	Sigworth, Jr.	156/245
4,321,911	3/1982	Offutt	126/904

FIG. 6 is a left side elevational view thereof, and the right side being a mirror image of that shown; and,

FIG. 7 is a perspective view embodying the utilization of my new design, the support for the solar collector depicted by means of broken lines being for illustrative purposes only and forming no part of the claimed design.

1 Claim, 7 Drawing Sheets



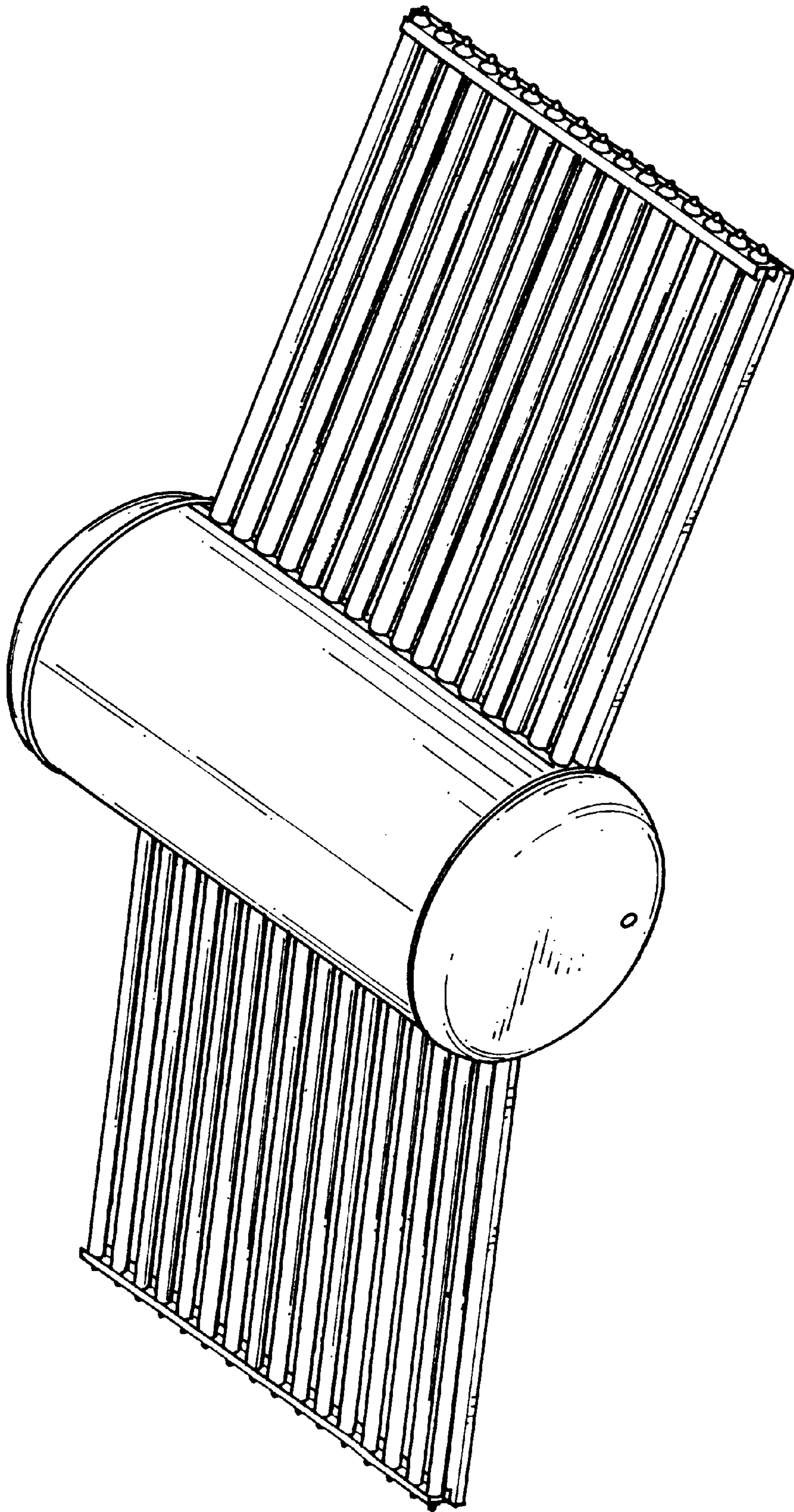


FIG. 1

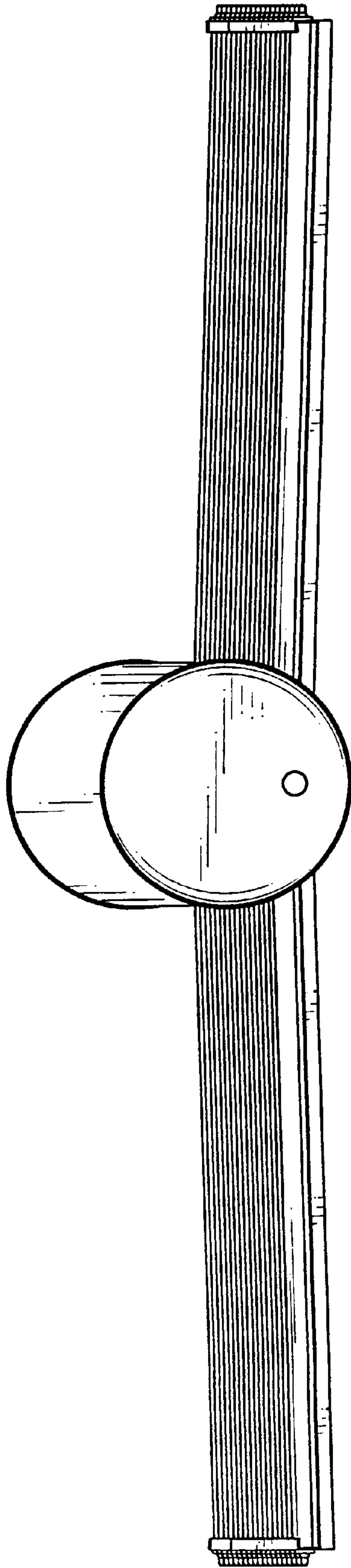


FIG. 2

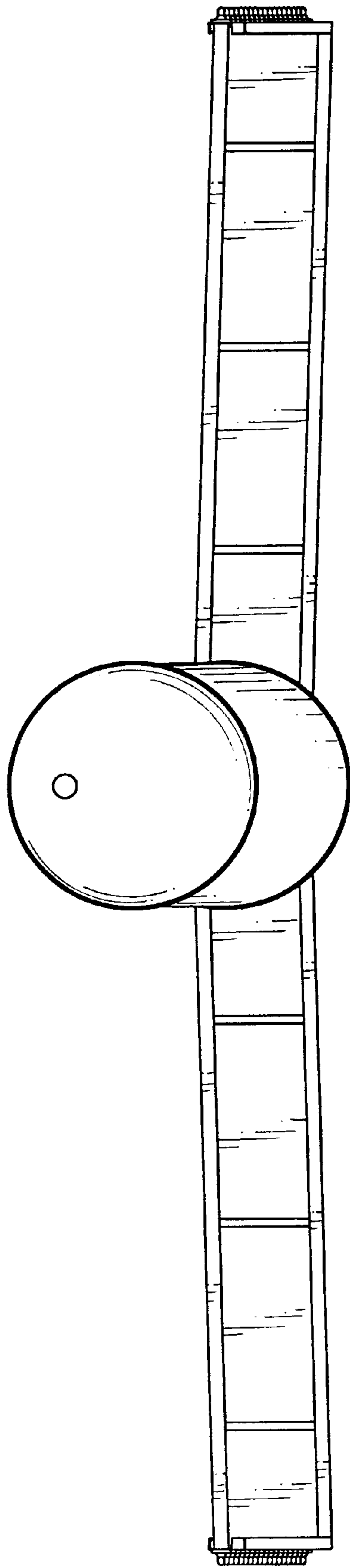


FIG. 3

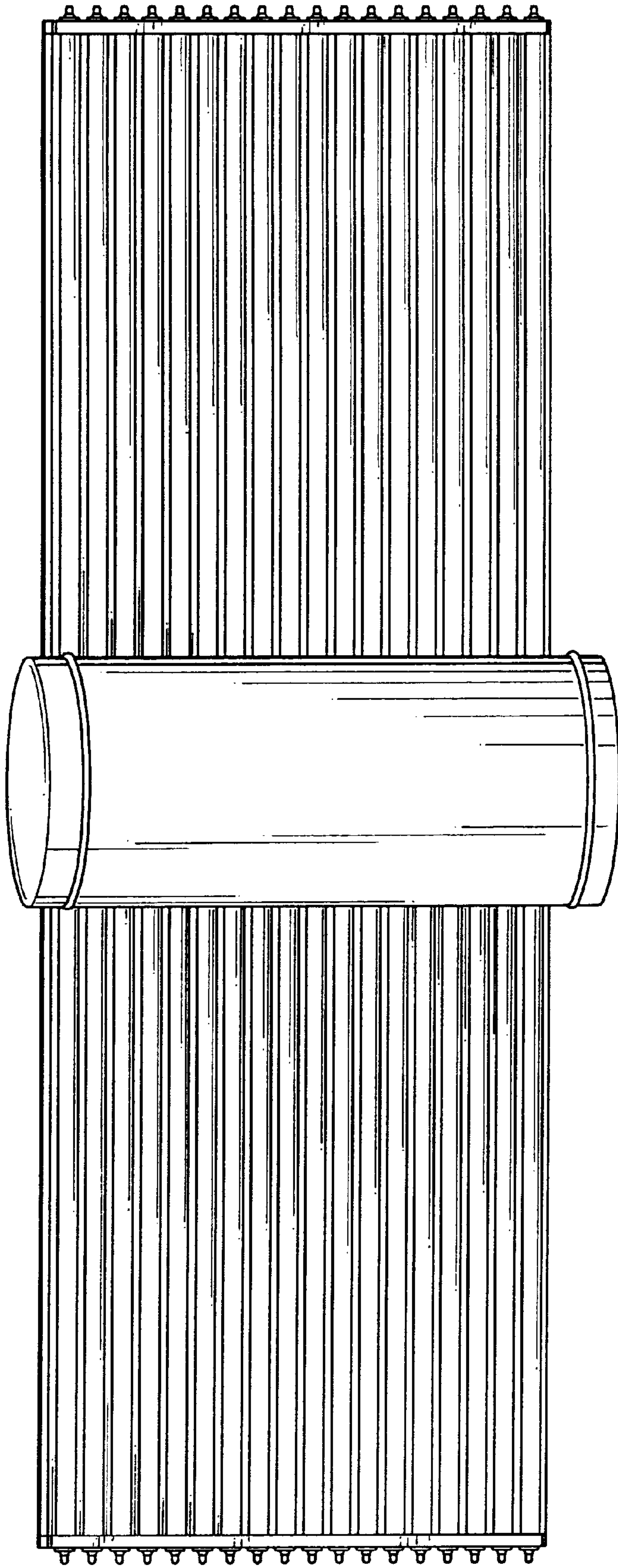


FIG. 4

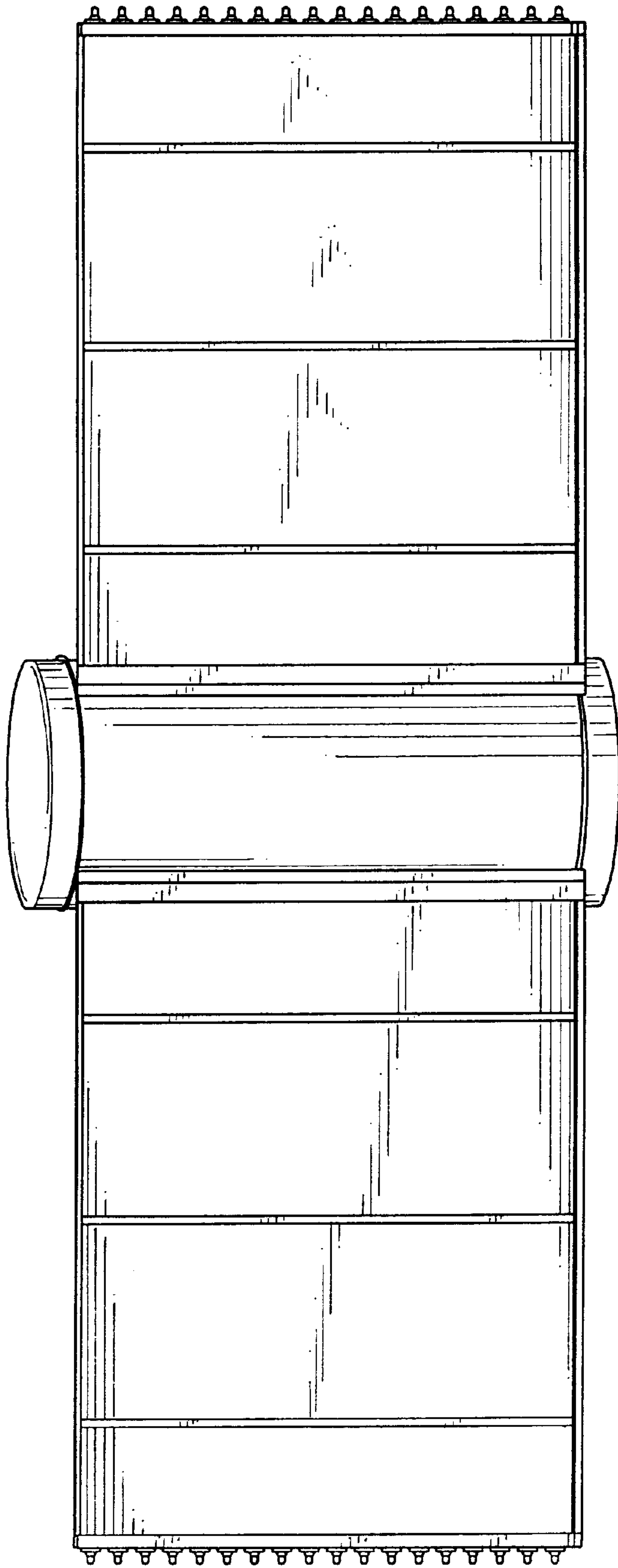


FIG. 5

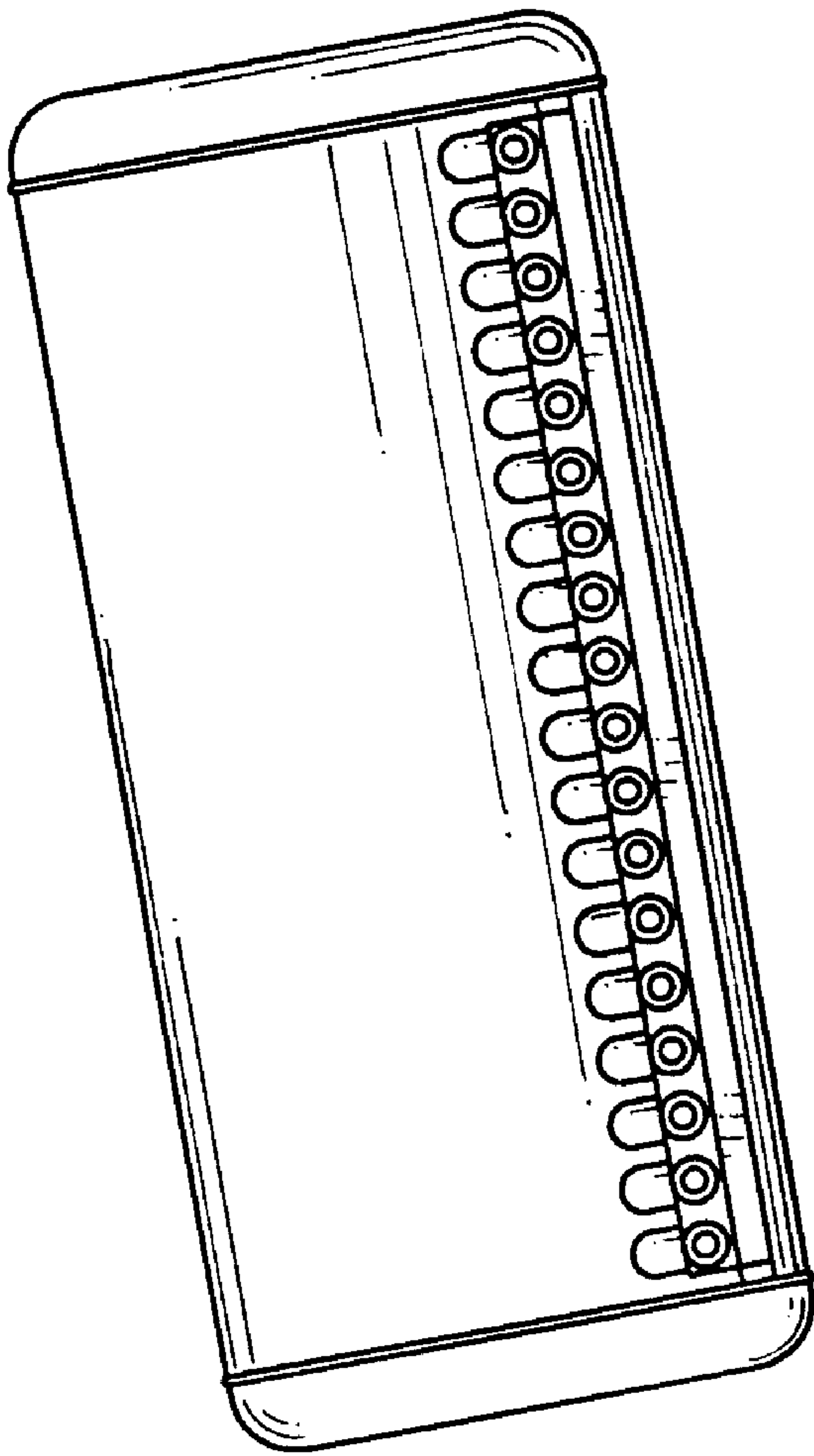


FIG. 6

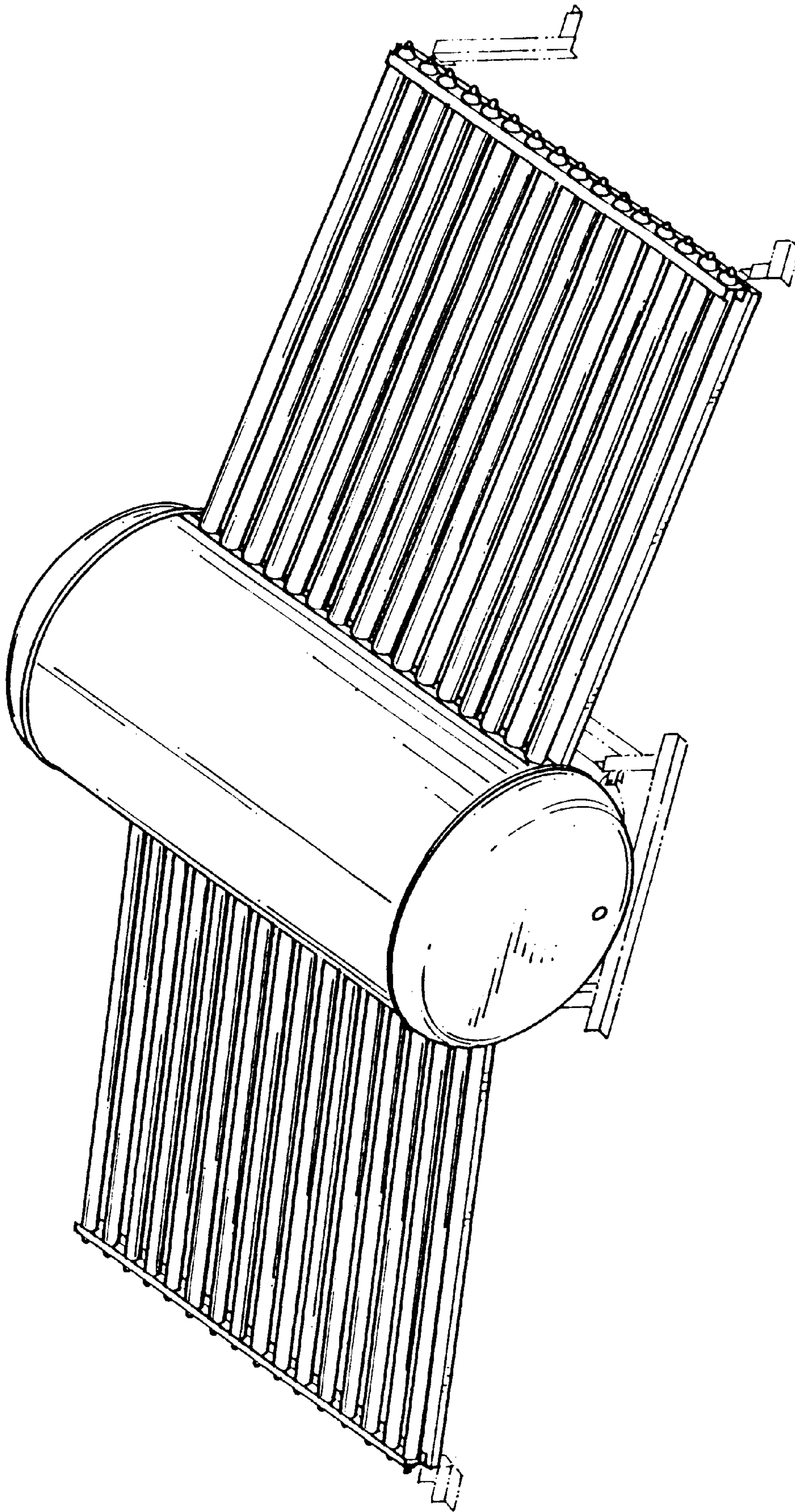


FIG. 7