



US00D425012S

**United States Patent** [19]  
**Bergin**

[11] **Patent Number: Des. 425,012**

[45] **Date of Patent: \*\* May 16, 2000**

[54] **CUPHOLDER WITH ACCESSORY RECEPTACLE**

[75] Inventor: **Peter W. A. Bergin**, Eden Prairie, Minn.

[73] Assignee: **Media Technology Source, Inc.**, Minneapolis, Minn.

[\*\*] Term: **14 Years**

[21] Appl. No.: **29/103,162**

[22] Filed: **Apr. 9, 1999**

[51] **LOC (7) Cl.** ..... **12-16**

[52] **U.S. Cl.** ..... **D12/419**

[58] **Field of Search** ..... D12/415-419, D12/423-425; 224/536-539, 296, 42.11, 275; 296/37.1; D6/535; D7/552.1, 552.2, 553.1-553.7, 620

[56] **References Cited**

**U.S. PATENT DOCUMENTS**

- D. 307,355 4/1990 Page, Jr. .... D12/419 X
- D. 362,837 10/1995 Mankey et al. .... D12/419
- D. 365,250 12/1995 Bergin et al. .... D7/620
- D. 368,628 4/1996 Bergin ..... D7/620
- D. 368,889 4/1996 Mankey et al. .... D12/419
- D. 375,719 11/1996 Schlangen et al. .... D12/419

- D. 375,931 11/1996 Ferrigan ..... D12/419
- D. 388,050 12/1997 Diem ..... D12/419
- D. 390,186 2/1998 Smith ..... D12/419
- D. 398,127 9/1998 Bergin et al. .... D34/27
- 4,942,990 7/1990 White ..... 224/42.42
- 5,938,091 8/1999 Bergin et al. .... 224/411

*Primary Examiner*—Jeffrey Asch  
*Assistant Examiner*—Stacia Sinuik  
*Attorney, Agent, or Firm*—Westman, Champlin & Kelly, P.A.

[57] **CLAIM**

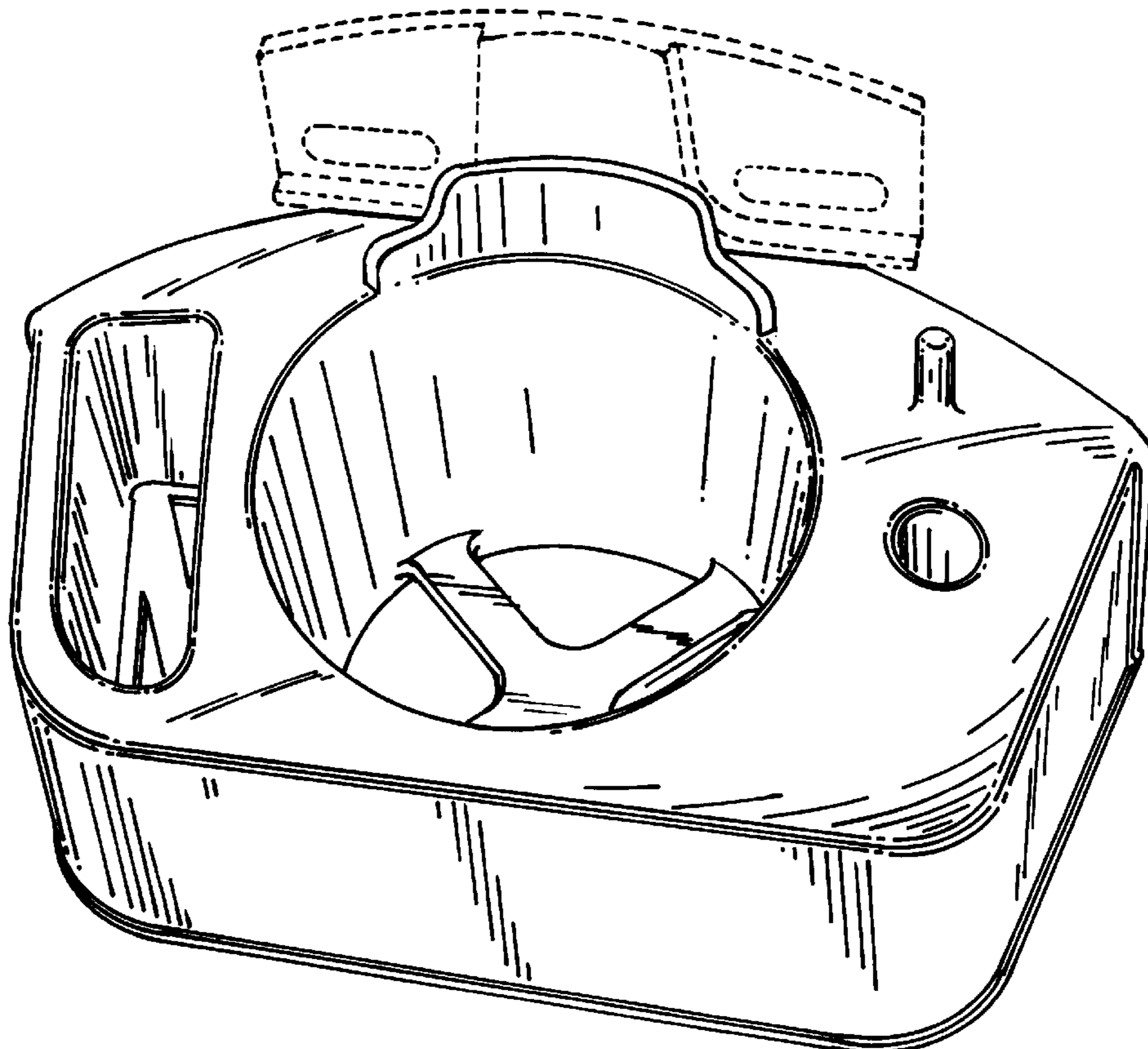
The ornamental design for a cupholder with accessory receptacle, as shown and described.

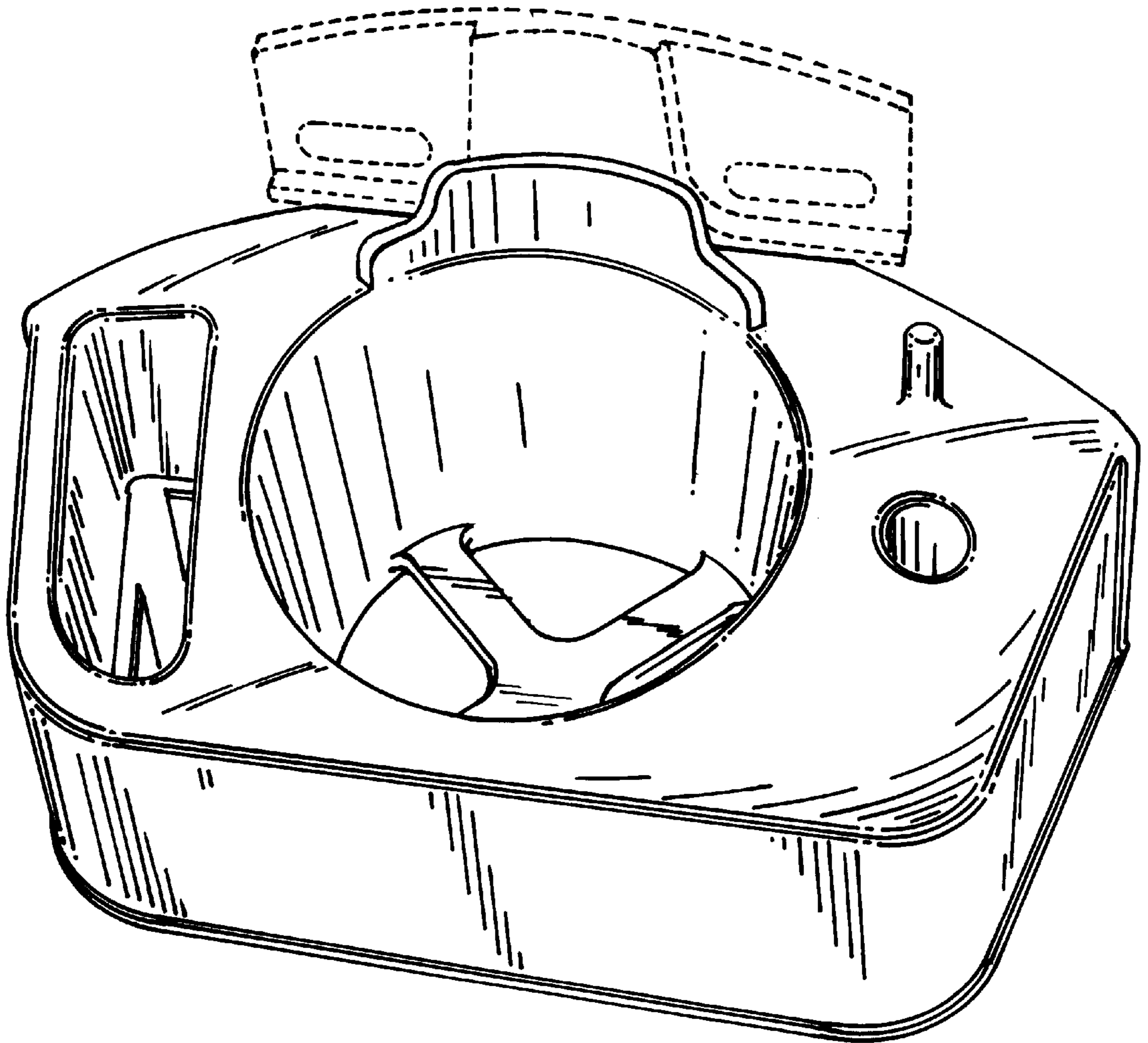
**DESCRIPTION**

FIG. 1 is a perspective view of a cupholder and accessory receptacle embodying my new design; FIG. 2 is an enlarged top plan view thereof; FIG. 3 is an enlarged front elevational view thereof; FIG. 4 is an enlarged left side elevational view thereof; FIG. 5 is an enlarged right side elevational view thereof; FIG. 6 is an enlarged rear elevational view thereof; and, FIG. 7 is an enlarged bottom plan view thereof.

The broken line showing of environment is for illustrative purposes only and forms no part of the claimed design.

**1 Claim, 6 Drawing Sheets**





*Fig. 1*

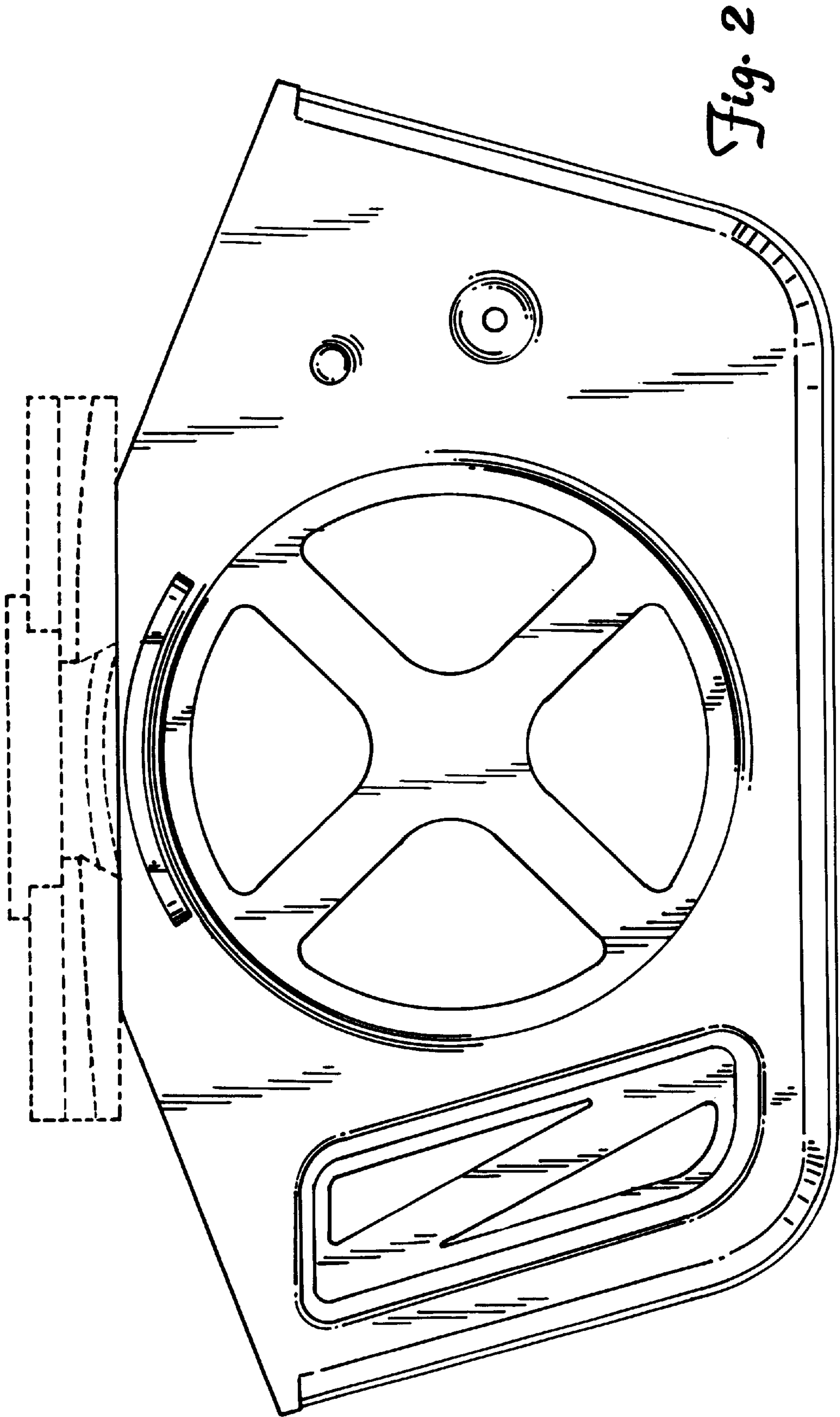


Fig. 2

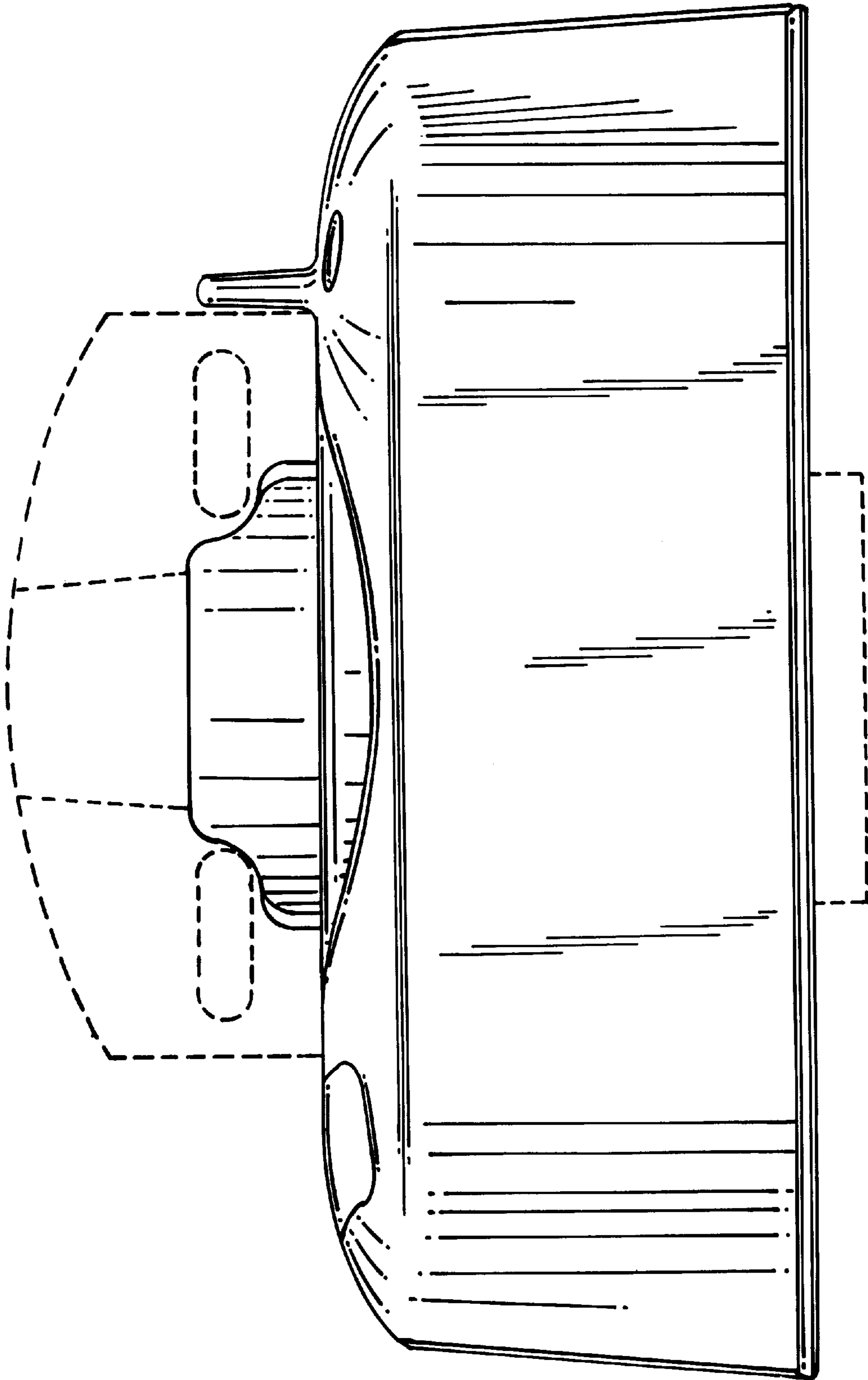
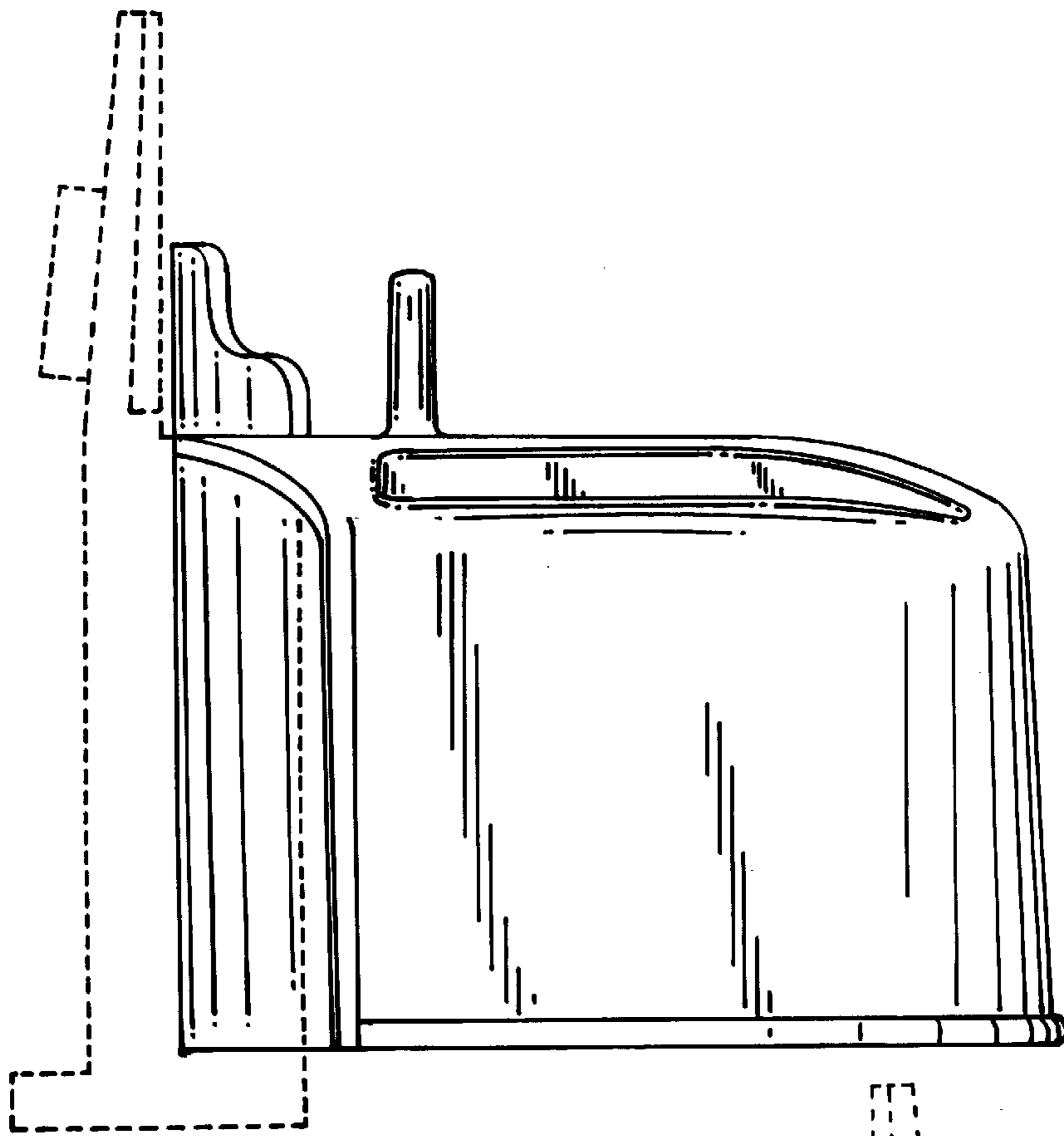
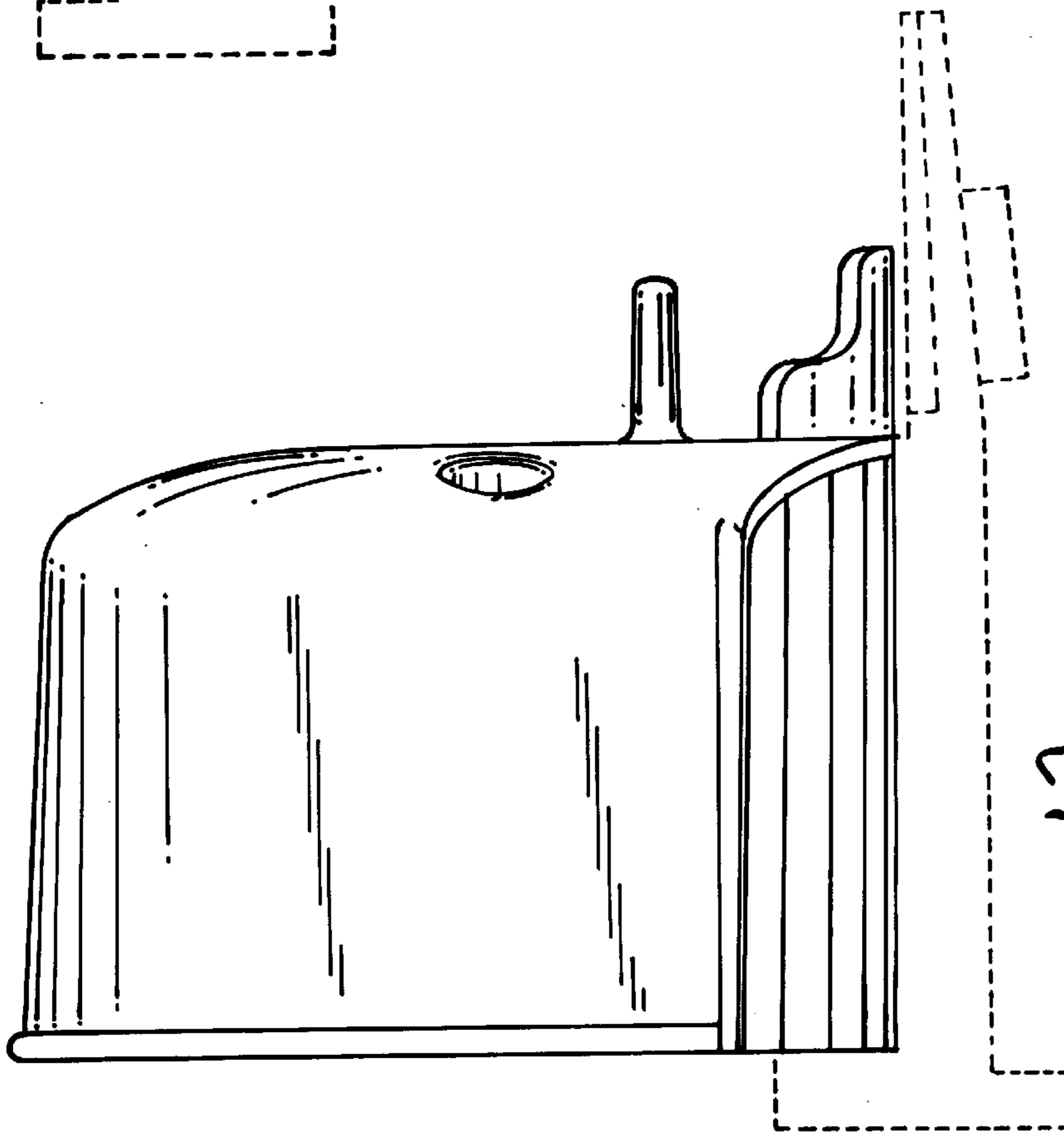


Fig. 3



*Fig. 4*



*Fig. 5*

*Fig. 6*

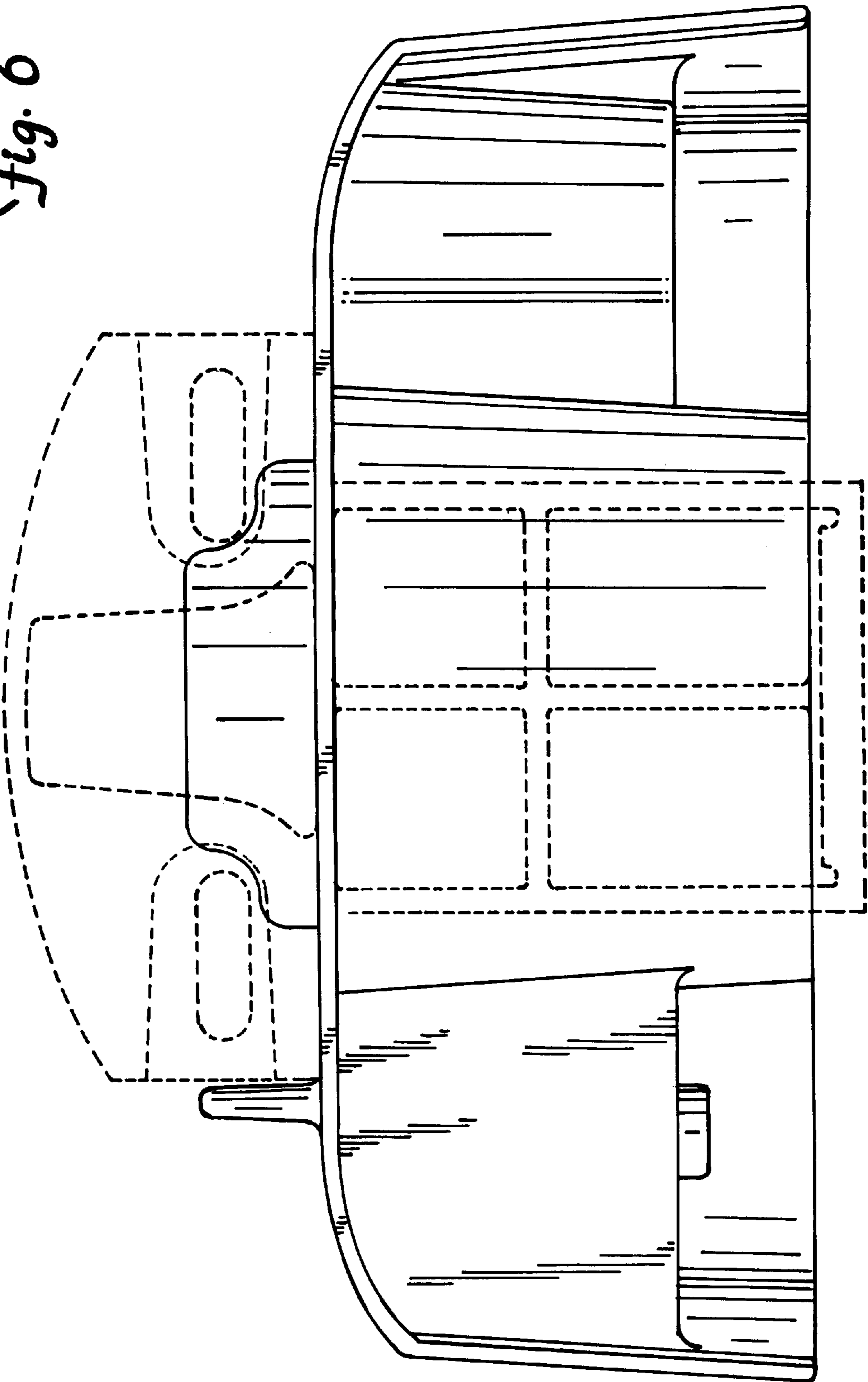


Fig. 7

