



US00D425010S

United States Patent [19]

Lowe

[11] **Patent Number: Des. 425,010**

[45] **Date of Patent: ** May 16, 2000**

[54] **AUTOMOBILE BRA WITH FOOTBALL HELMET DESIGN**

4,997,229 3/1991 Swanson 296/136
5,158,324 10/1992 Flesher 280/770

[75] Inventor: **Mary Lowe**, Lee's Summit, Mo.

[73] Assignee: **William Joseph Morehouse**, Blair, Nebr.; a part interest

[**] Term: **14 Years**

[21] Appl. No.: **29/104,855**

[22] Filed: **May 13, 1999**

Related U.S. Application Data

[63] Continuation-in-part of application No. 29/077,263, Sep. 30, 1997, abandoned.

[51] **LOC (7) Cl.** **12-16**

[52] **U.S. Cl.** **D12/216; D12/196; D12/173**

[58] **Field of Search** **D12/216, 173, D12/181, 196, 167, 169, 400; D29/15; 296/136, 95.1; 280/770, 850; 293/128; 428/100, 423.1, 900**

[56] References Cited

U.S. PATENT DOCUMENTS

D. 363,261 10/1995 Horwill D12/181
D. 400,842 11/1998 Davis et al. D12/216

OTHER PUBLICATIONS

J.C. Whitney & Co. catalog, No. 580-2C, p. 60 for multipiece breathable vinyl bras, exact publication date unknown, but at least one year prior to the filing of the present application.

Primary Examiner—Melody N. Brown
Attorney, Agent, or Firm—Litman, Kraai & Brown L.L.C.

[57] CLAIM

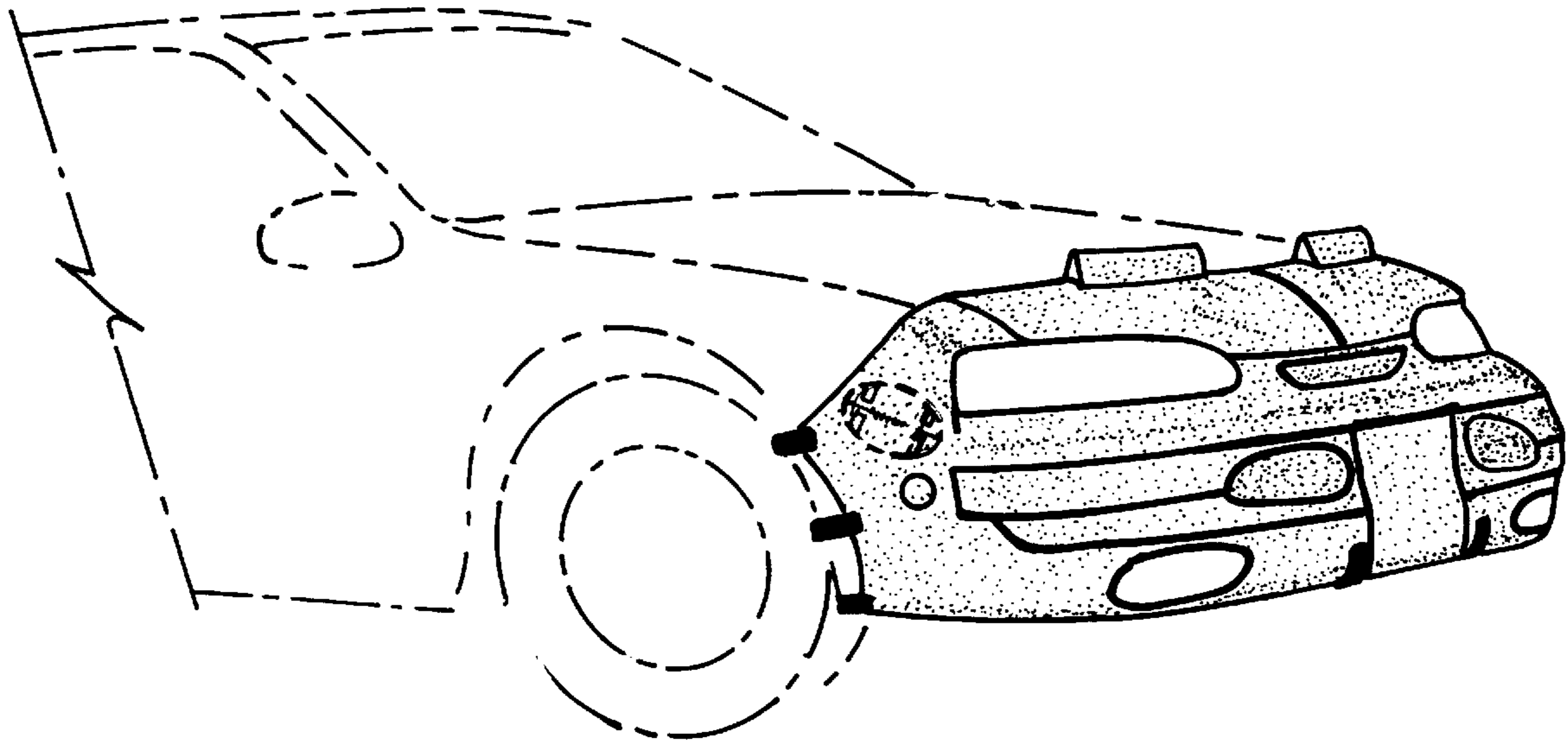
The ornamental design for an automobile bra with football helmet design, as shown and described.

DESCRIPTION

FIG. 1 is a front and right side perspective view of an automobile bra with football helmet design, the portions of the vehicle shown in broken lines are for illustrative purposes only and form no part of the claimed design; FIG. 2 is a front elevational view thereof; FIG. 3 is a left side elevational view thereof; and, FIG. 4 is a top plan view thereof.

No illustration of the bottom of the automobile bra with football helmet design is provided since the bottom view is plain and has no design significance.

1 Claim, 2 Drawing Sheets



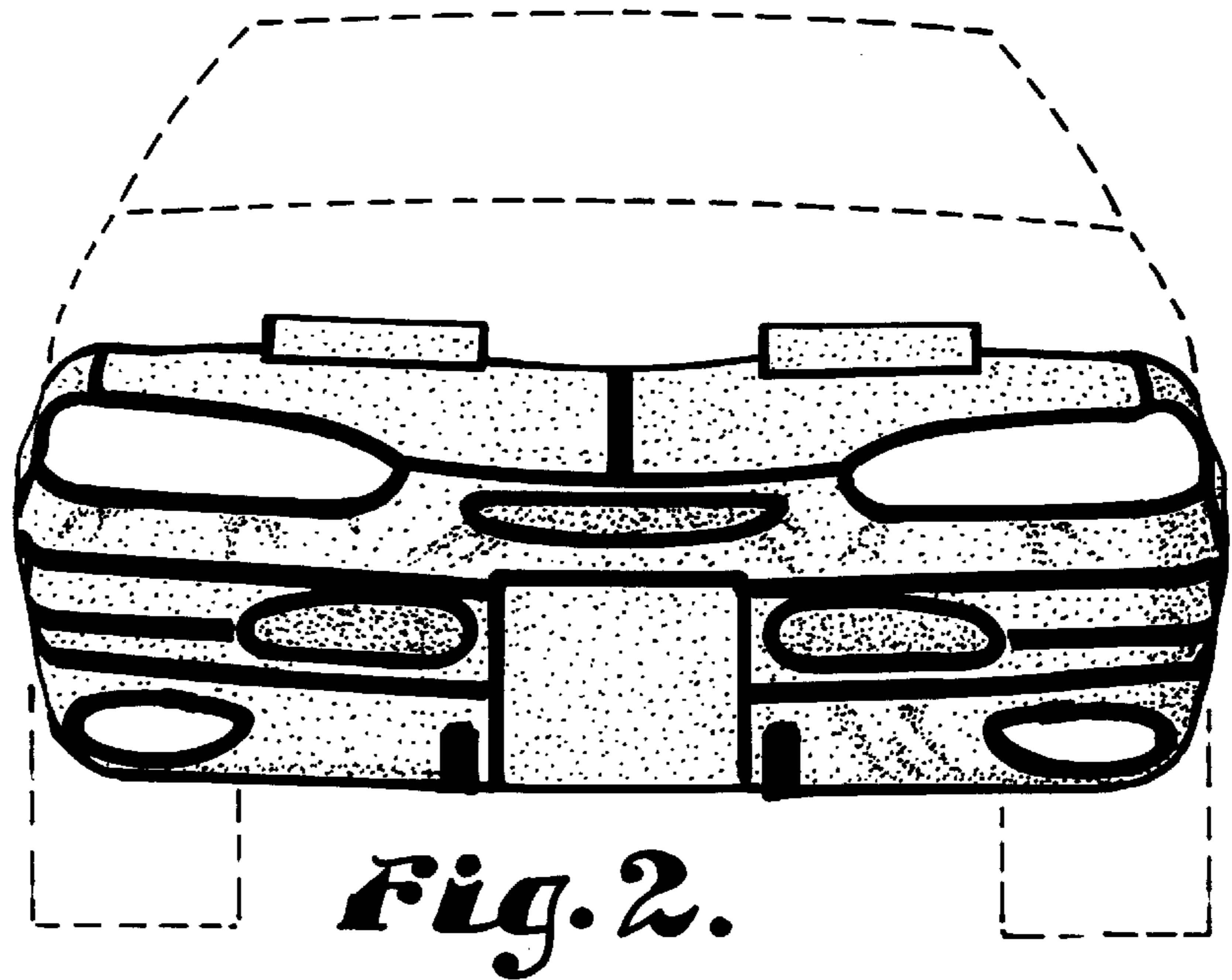
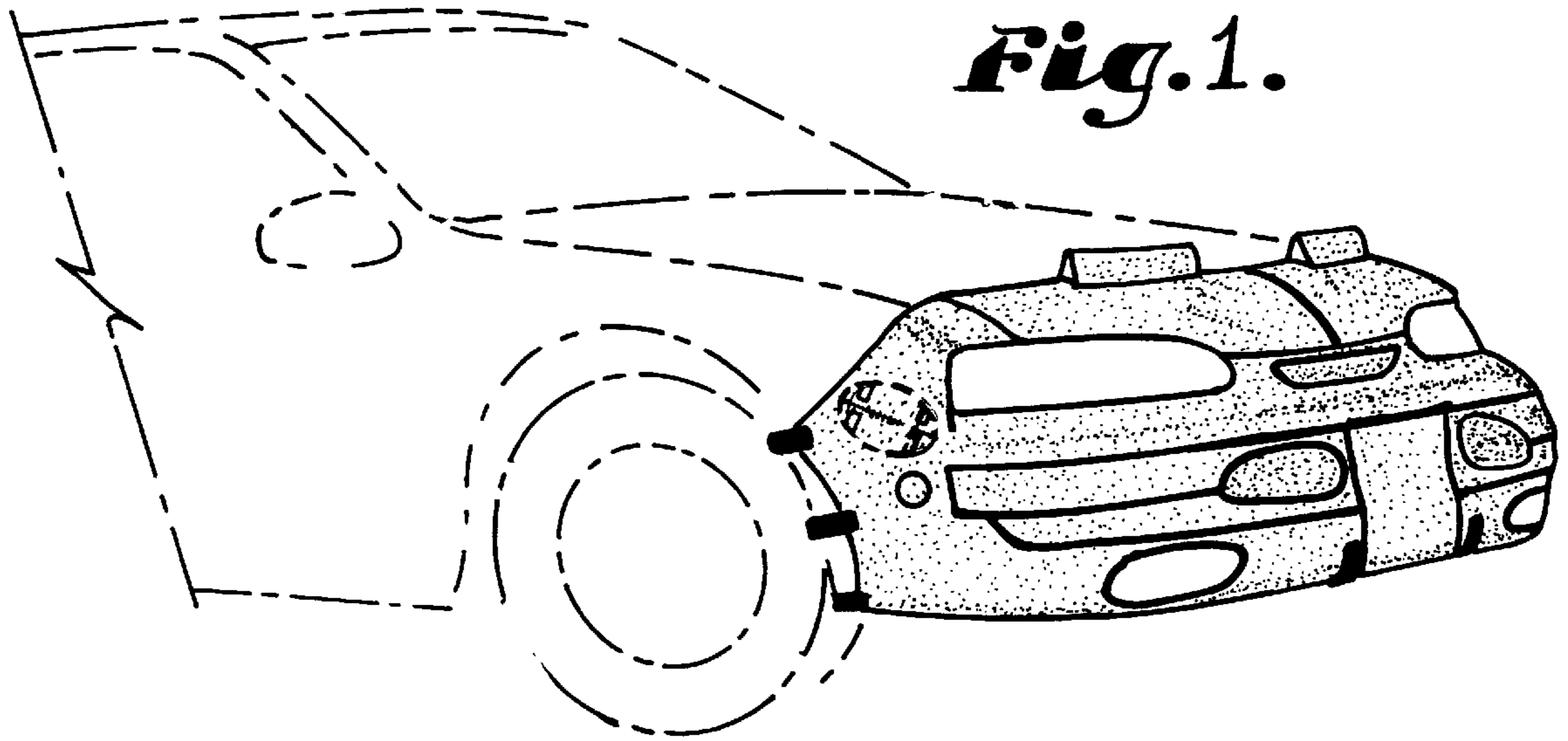


Fig. 3.

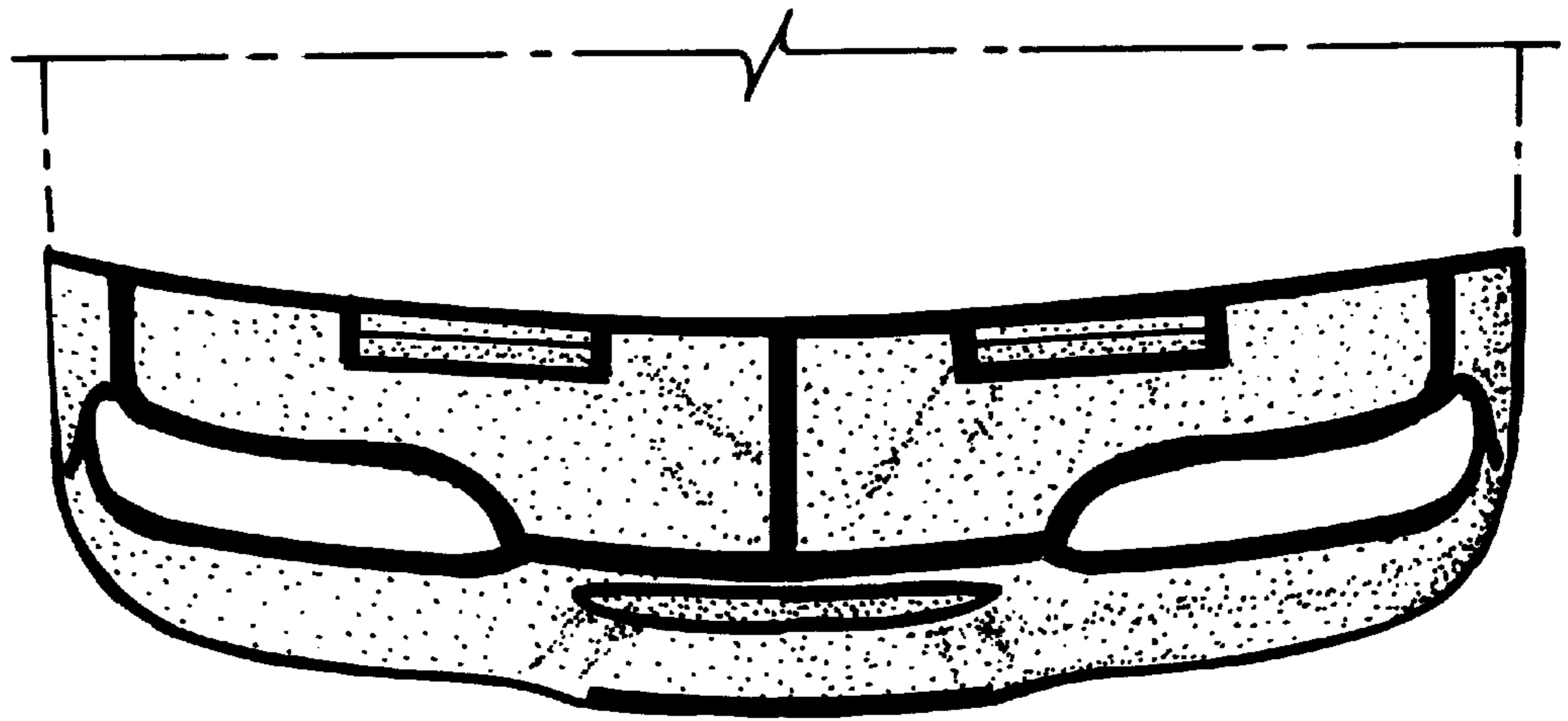
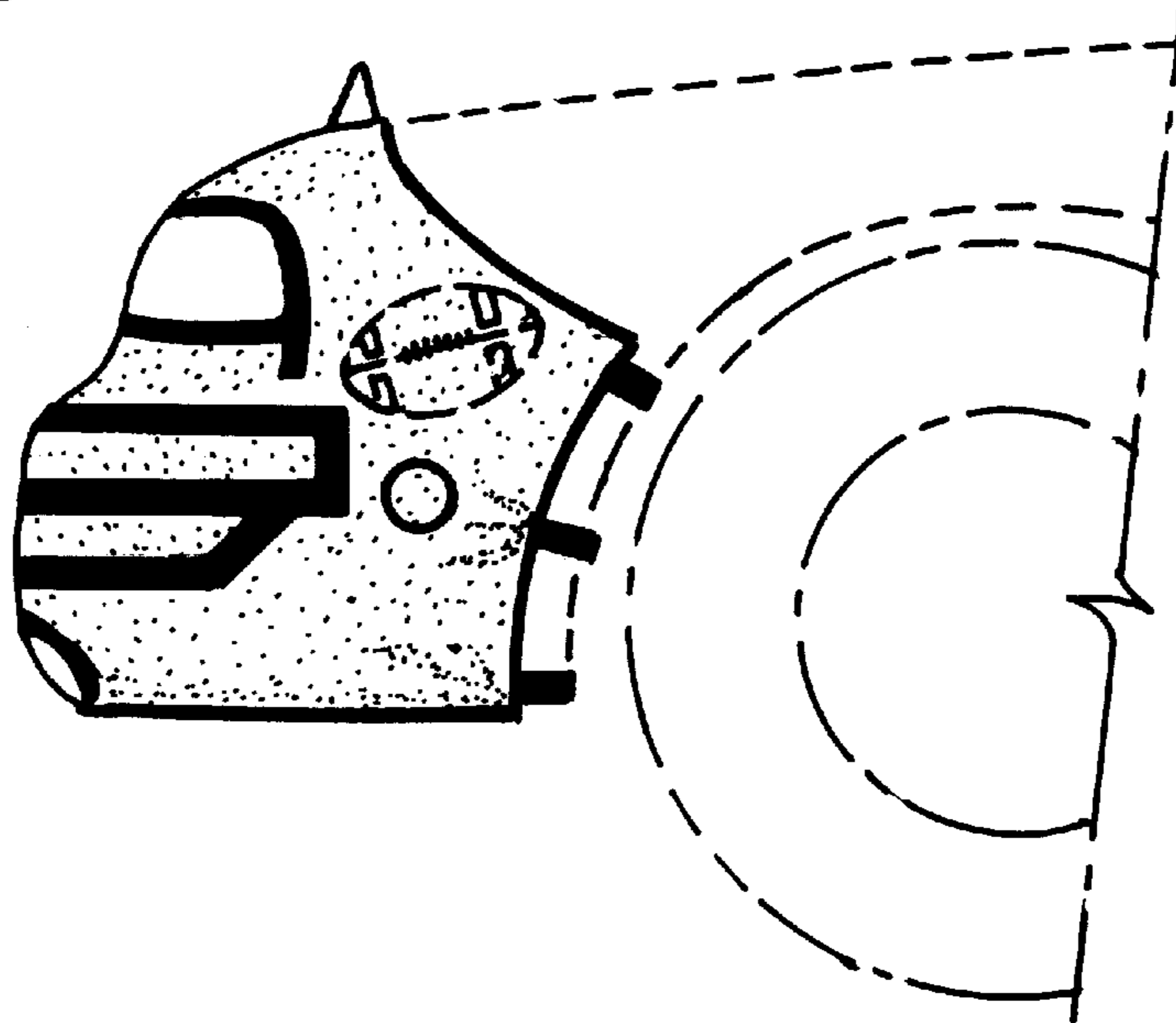


Fig. 4.