



US00D425003S

**United States Patent** [19]  
**Gabath**

[11] **Patent Number: Des. 425,003**

[45] **Date of Patent: \*\* May 16, 2000**

[54] **SURFACE CONFIGURATION OF A REAR PANEL FOR A VEHICLE**

[75] Inventor: **Peter Gabath**, Starnberg, Germany

[73] Assignee: **Bayerische Motoren Werke Aktiengesellschaft**, Munich, Germany

[\*\*] Term: **14 Years**

[21] Appl. No.: **29/097,553**

[22] Filed: **Dec. 9, 1998**

[30] **Foreign Application Priority Data**

Jun. 10, 1998 [DE] Germany ..... M 98 05 818

[51] **LOC (7) Cl.** ..... **12-16**

[52] **U.S. Cl.** ..... **D12/196**

[58] **Field of Search** ..... D12/196, 90-92;  
296/185

[56] **References Cited**

**U.S. PATENT DOCUMENTS**

- D. 301,572 6/1989 McKeanon ..... D12/196
- D. 354,933 1/1995 Shea, Sr. .... D12/196
- D. 393,440 4/1998 Pfeiffer et al. .... D12/196
- D. 416,422 11/1999 Sagio et al. .... D12/196

*Primary Examiner*—Melody N. Brown  
*Attorney, Agent, or Firm*—Evenson, McKeown, Edwards & Lenahan, P.L.L.C.

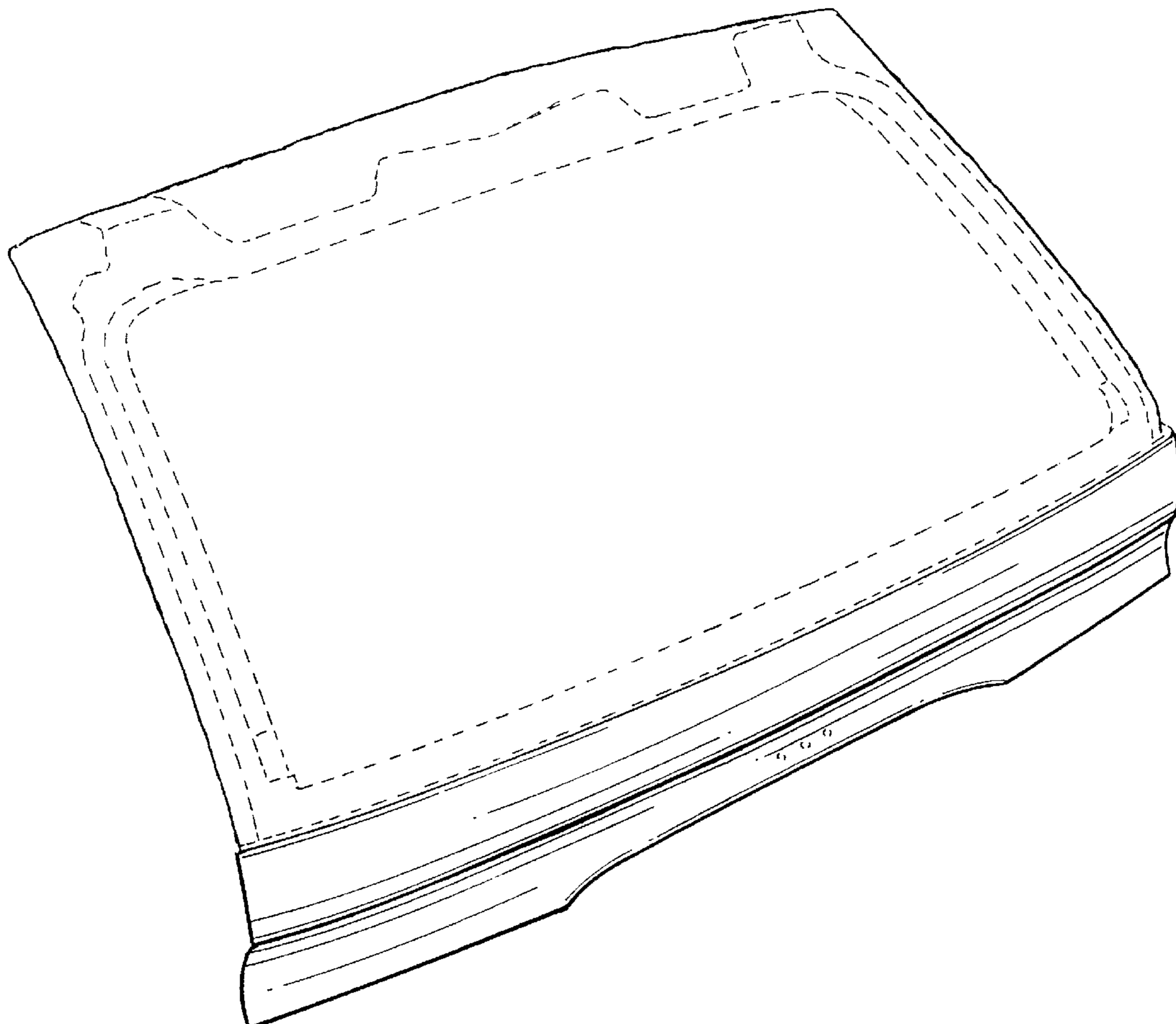
[57] **CLAIM**

The ornamental design for a surface configuration of a rear panel for a vehicle, as shown and described.

**DESCRIPTION**

FIG. 1 is a front view of a surface configuration of a rear panel for a vehicle according to my novel design;  
 FIG. 2 is a left side view of a surface configuration of a rear panel for a vehicle according to my novel design, the right side view being mirror symmetrical;  
 FIG. 3 is a perspective view from the front left of a surface configuration of a rear panel for a vehicle according to my novel design, the perspective view from the front right being mirror symmetrical;  
 FIG. 4 is a top view of a surface configuration of a rear panel for a vehicle according to my novel design; and,  
 FIG. 5 is a bottom view of a surface configuration of a rear panel for a vehicle according to my novel design.  
 The broken line included depicts environment and is not part of the claimed design.

**1 Claim, 4 Drawing Sheets**



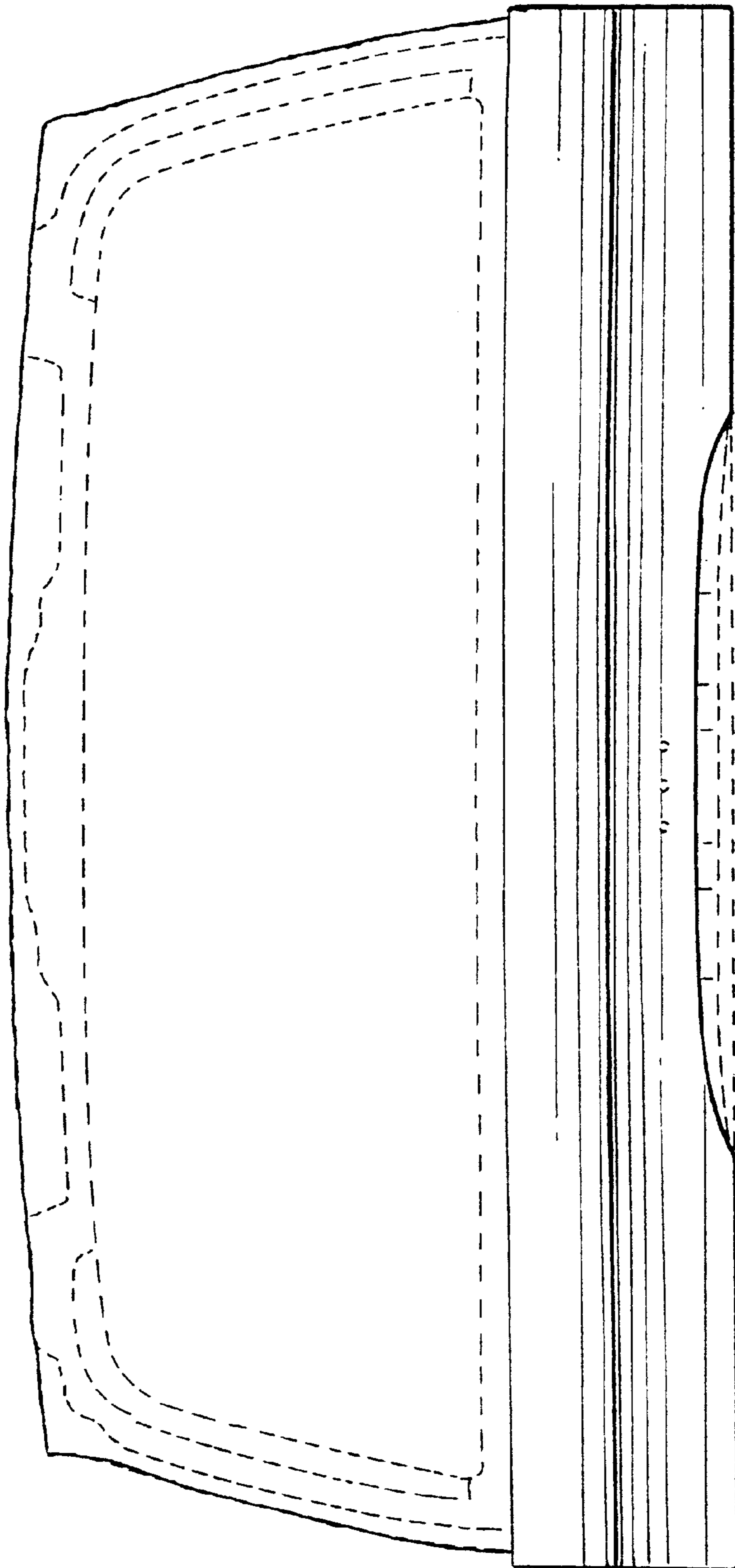


FIG. 1

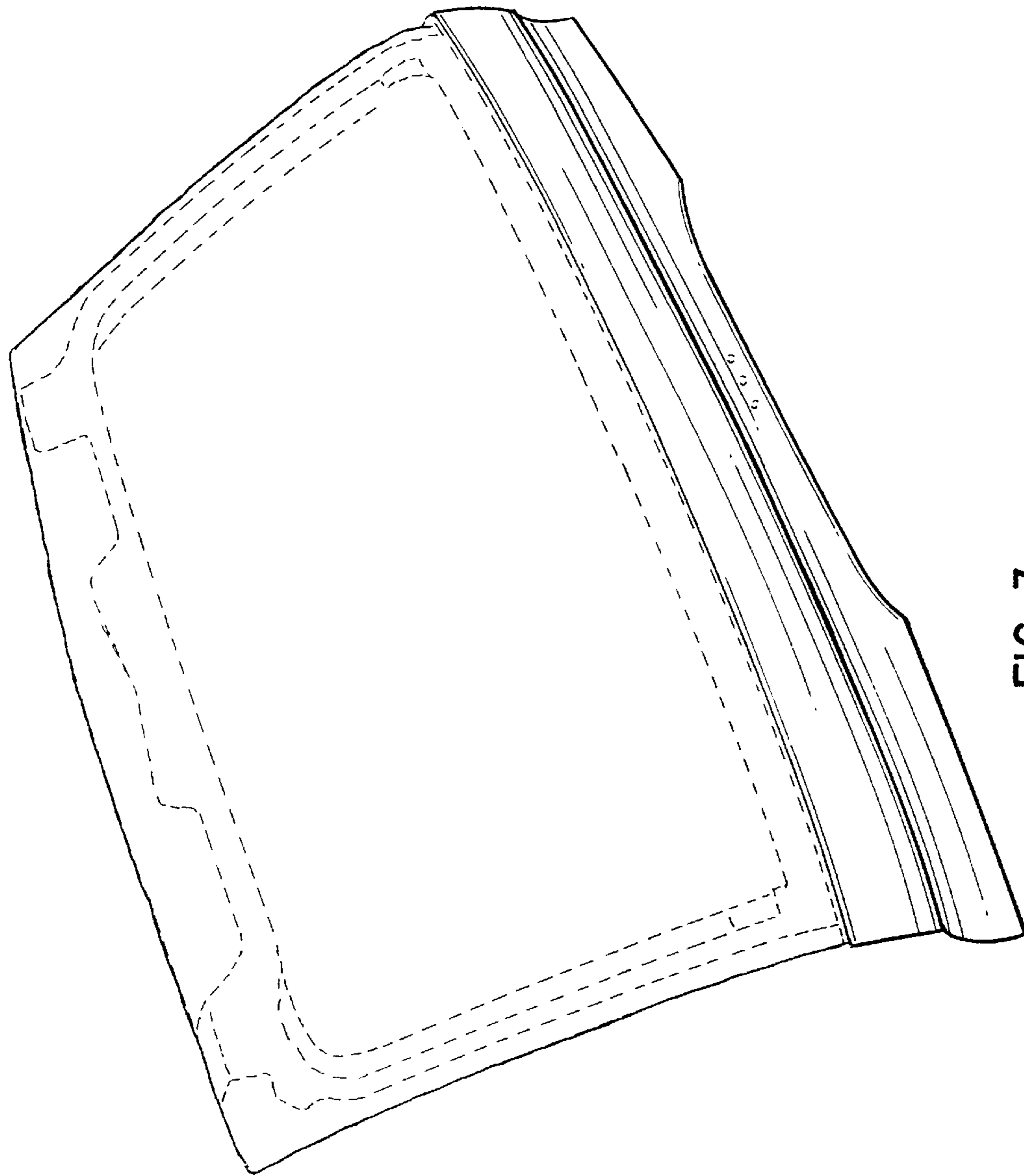


FIG. 3

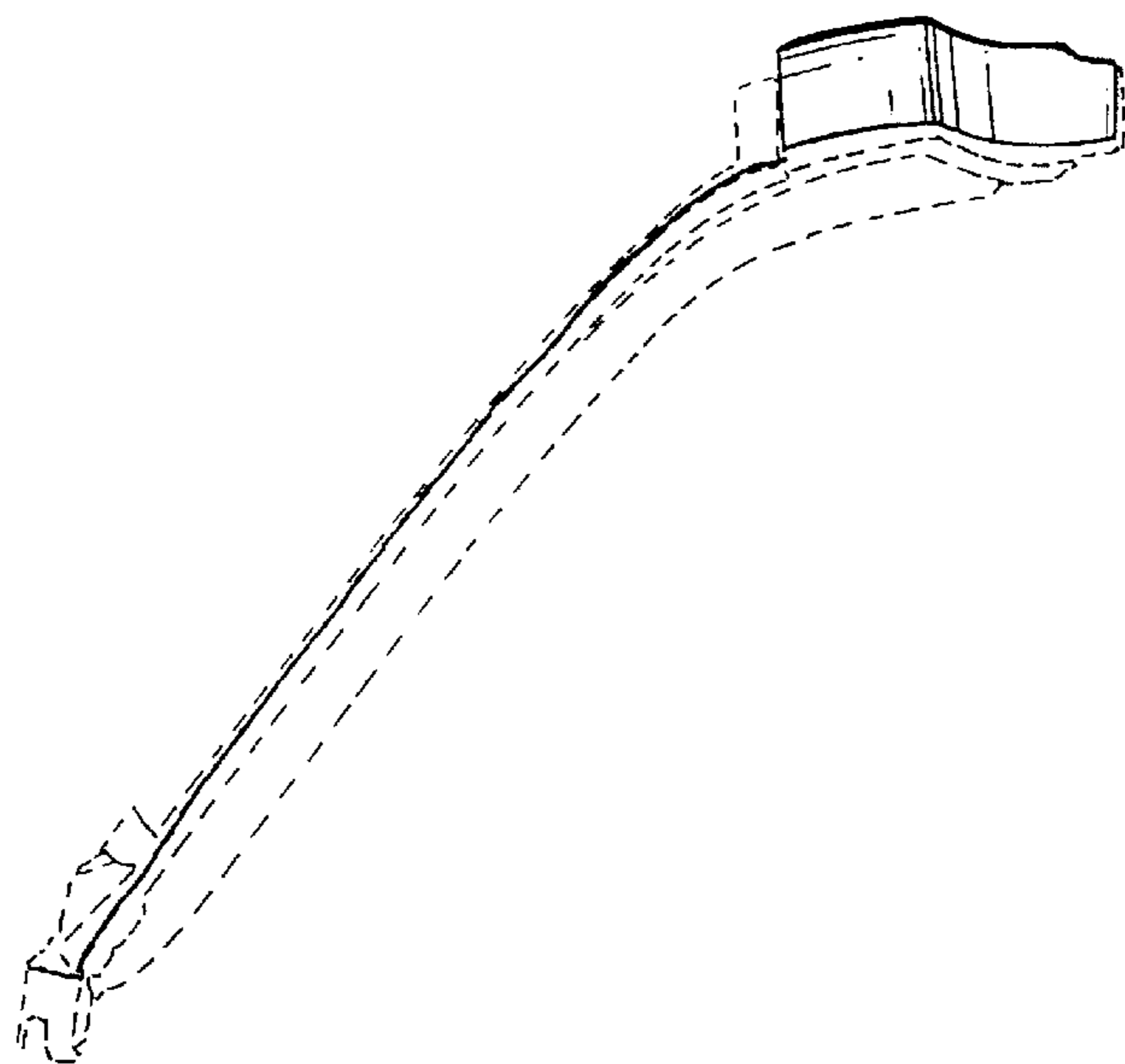


FIG. 2

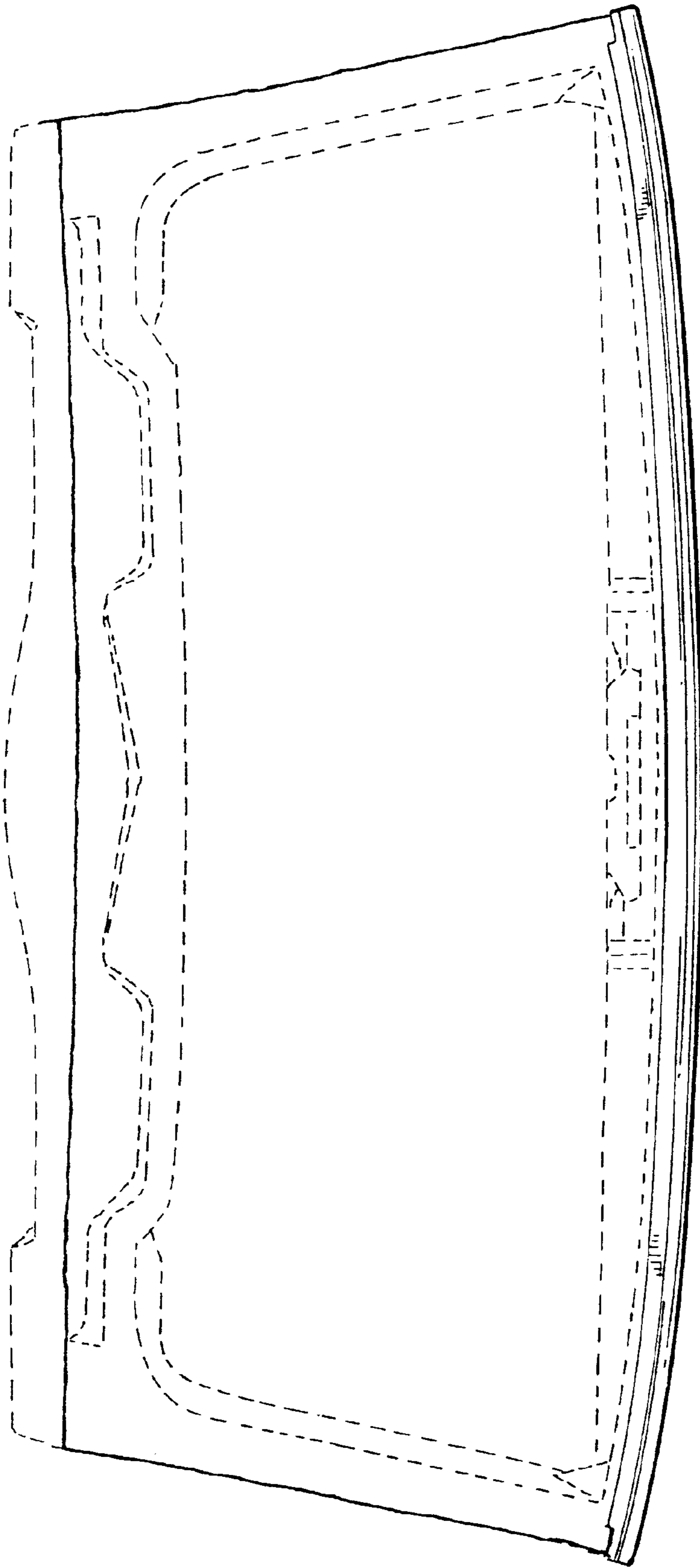


FIG. 4

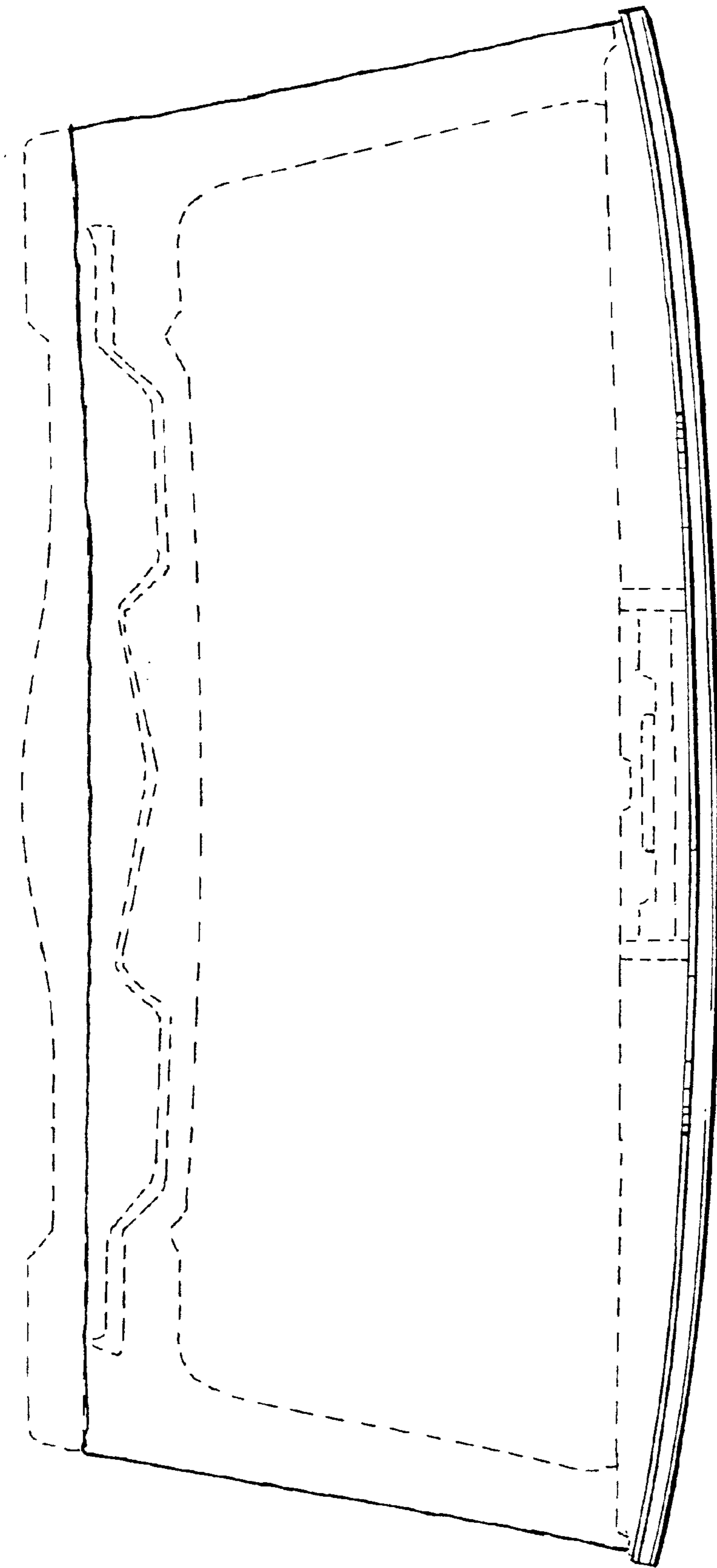


FIG. 5