



US00D424998S

United States Patent [19]

Goebles et al.

[11] Patent Number: **Des. 424,998**

[45] Date of Patent: **** May 16, 2000**

[54] **COMBINED RELAY-ATC VALVE**
[75] Inventors: **Hermann J. Goebles**, Portage; **Richard Erich Beyer**, Kalamazoo, both of Mich.

D. 291,807 9/1987 Yew et al. D15/7
D. 342,710 12/1993 Shelton D12/180
D. 349,325 8/1994 Jones D23/235
D. 361,824 8/1995 Gaurila et al. D23/233
D. 365,034 12/1995 Enlow et al. D15/7

[73] Assignee: **Robert Bosch Corporation**, Broadview, Ill.

Primary Examiner—Ralf Seifert
Attorney, Agent, or Firm—Leo H. McCormick, Jr.; Warren Comstock

[**] Term: **14 Years**

[21] Appl. No.: **29/102,359**

[57] CLAIM

[22] Filed: **Mar. 16, 1999**

The ornamental design for a combined relay-ATC valve, as shown and described.

Related U.S. Application Data

DESCRIPTION

[63] Continuation-in-part of application No. 29/086,867, Apr. 21, 1998, abandoned.

FIG. 1 is a perspective view of a combined relay-ATC valve showing our new design;

[51] **LOC (7) Cl.** **12-16**

FIG. 2 is a top plan view of FIG. 1;

[52] **U.S. Cl.** **D12/180**

[58] **Field of Search** D15/1-5; D23/233-237, D23/244-249; D7/308, 398; 303/15, 16, 9.71, 9.62, 93, 104, 9.61, 79.54; D12/179, 180

FIG. 3 is a front plan view taken along line 3—3 of FIG. 2;

FIG. 4 is a side plan view taken along line 4—4 of FIG. 2;

FIG. 5 is a side plan view taken along line 5—5 of FIG. 2; and,

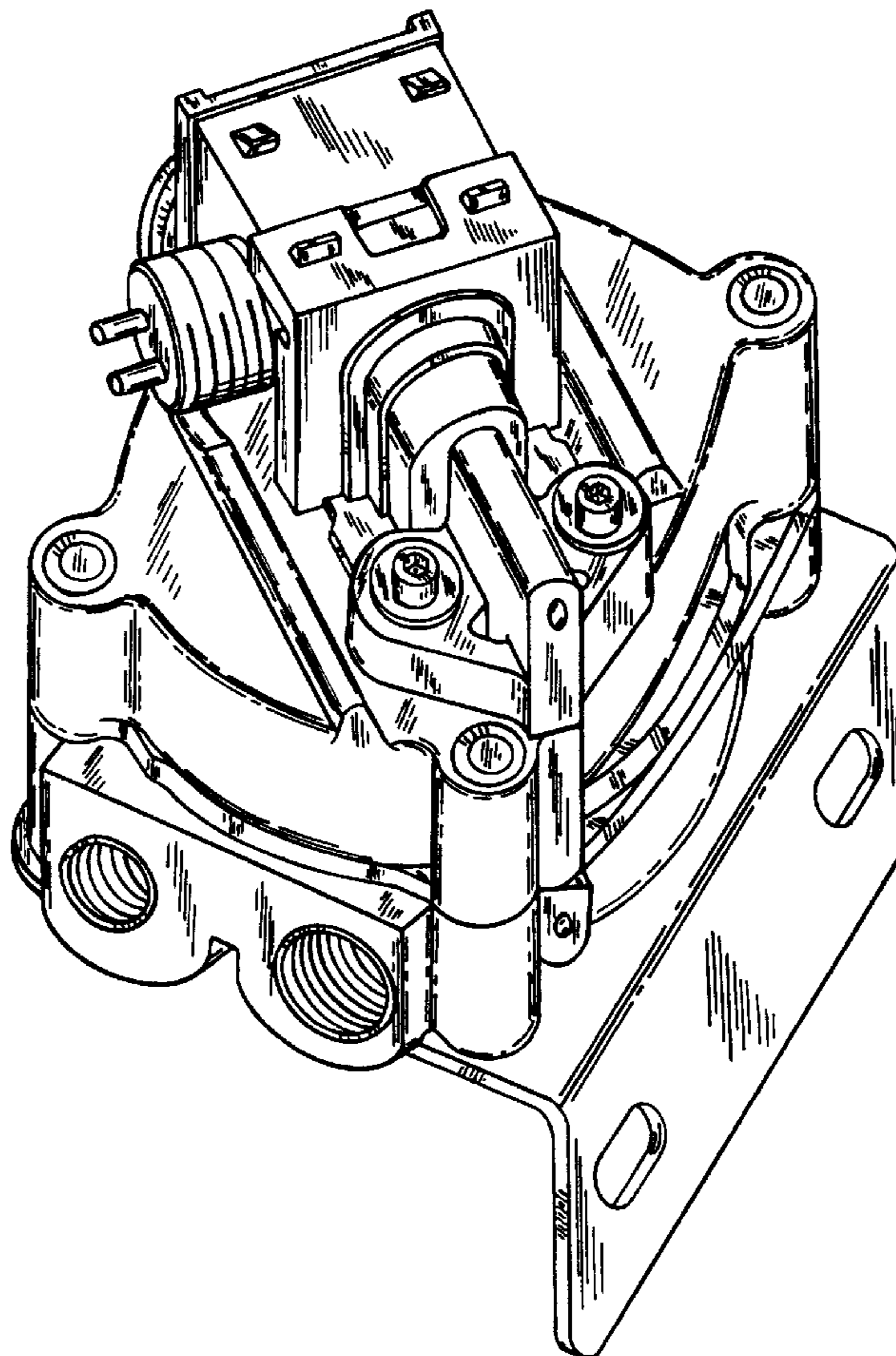
FIG. 6 is a bottom plan view of FIG. 1.

[56] References Cited

U.S. PATENT DOCUMENTS

D. 245,688 9/1977 Clapp D12/179

1 Claim, 3 Drawing Sheets



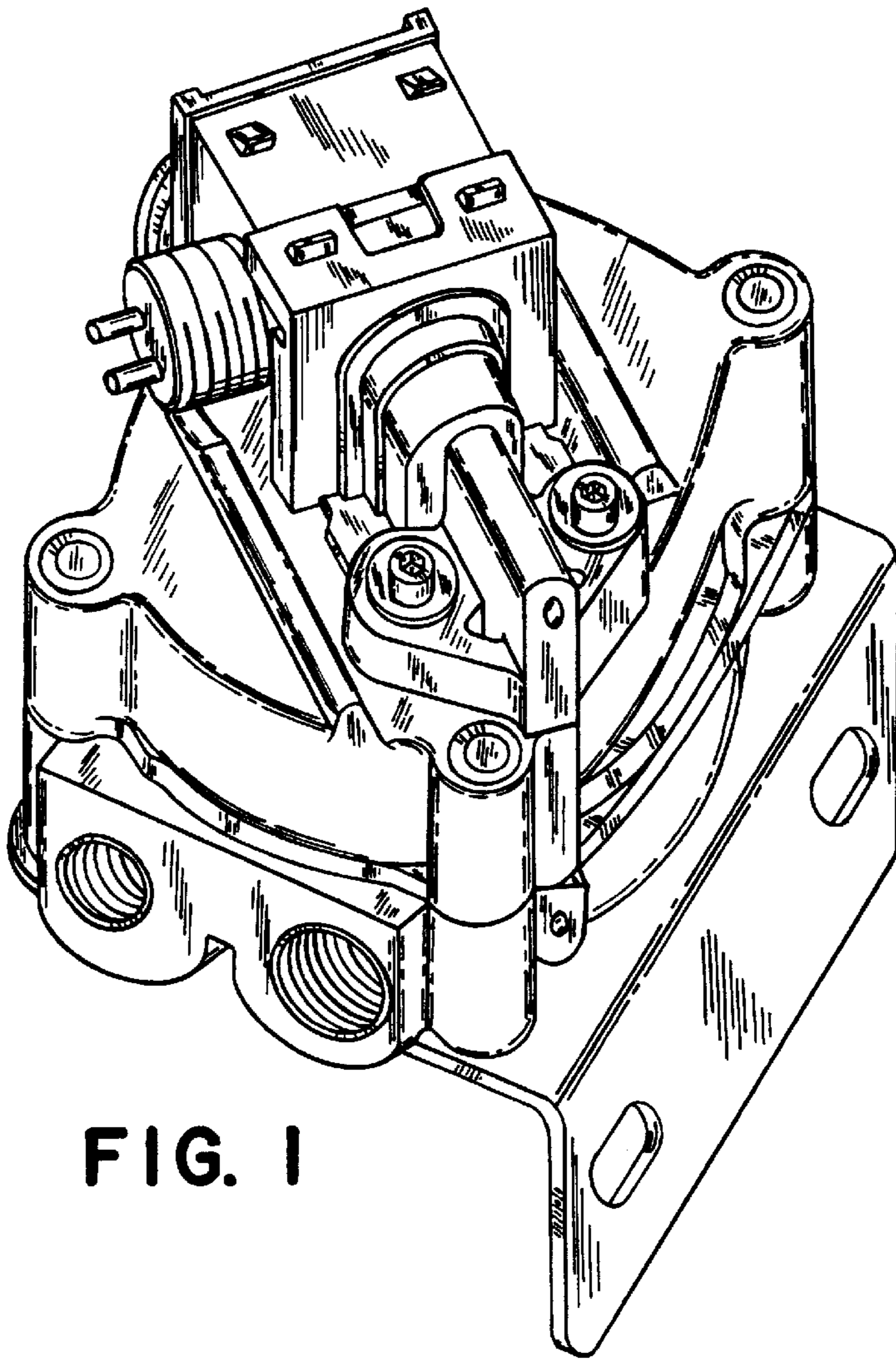


FIG. 1

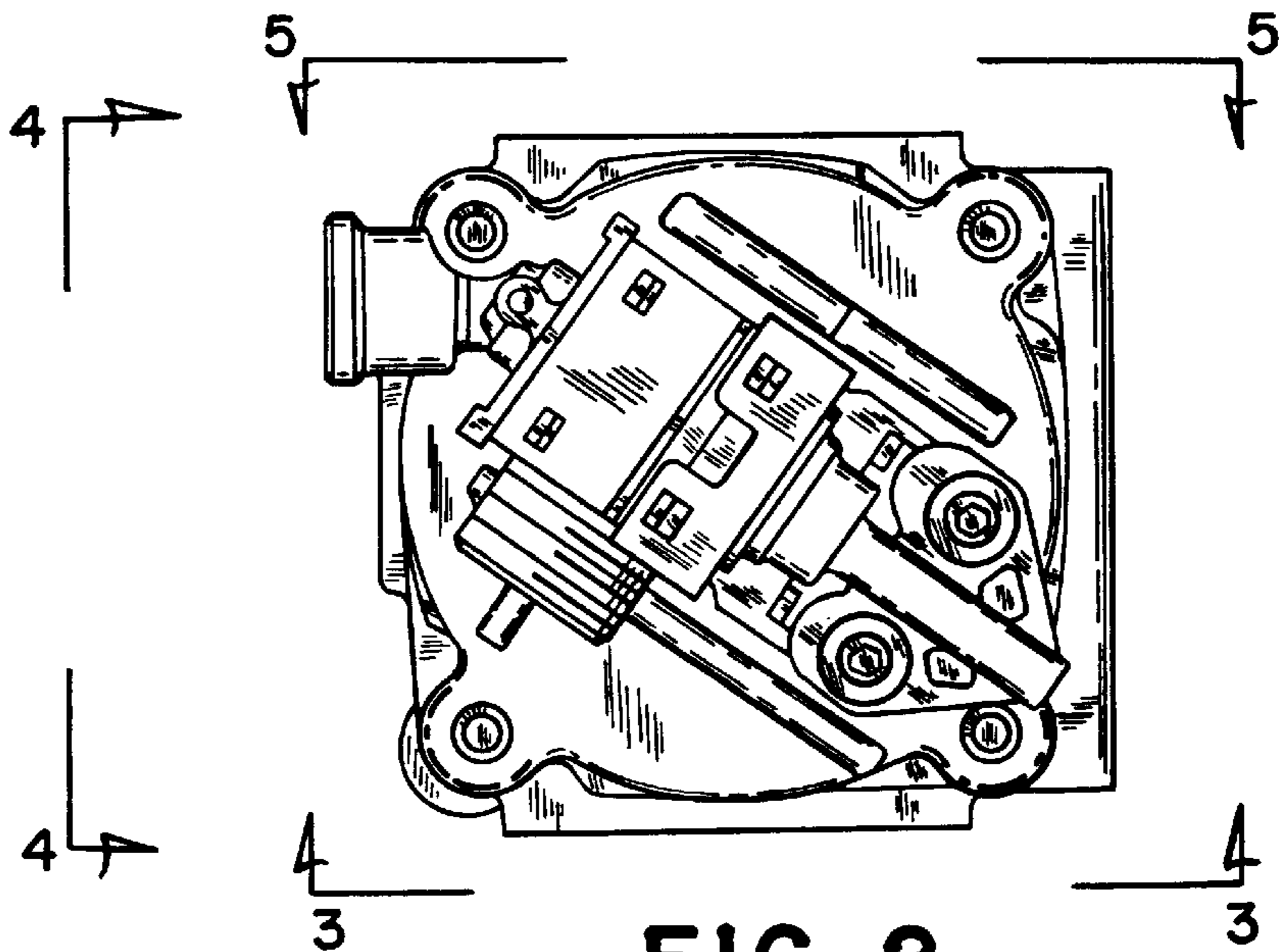


FIG. 2

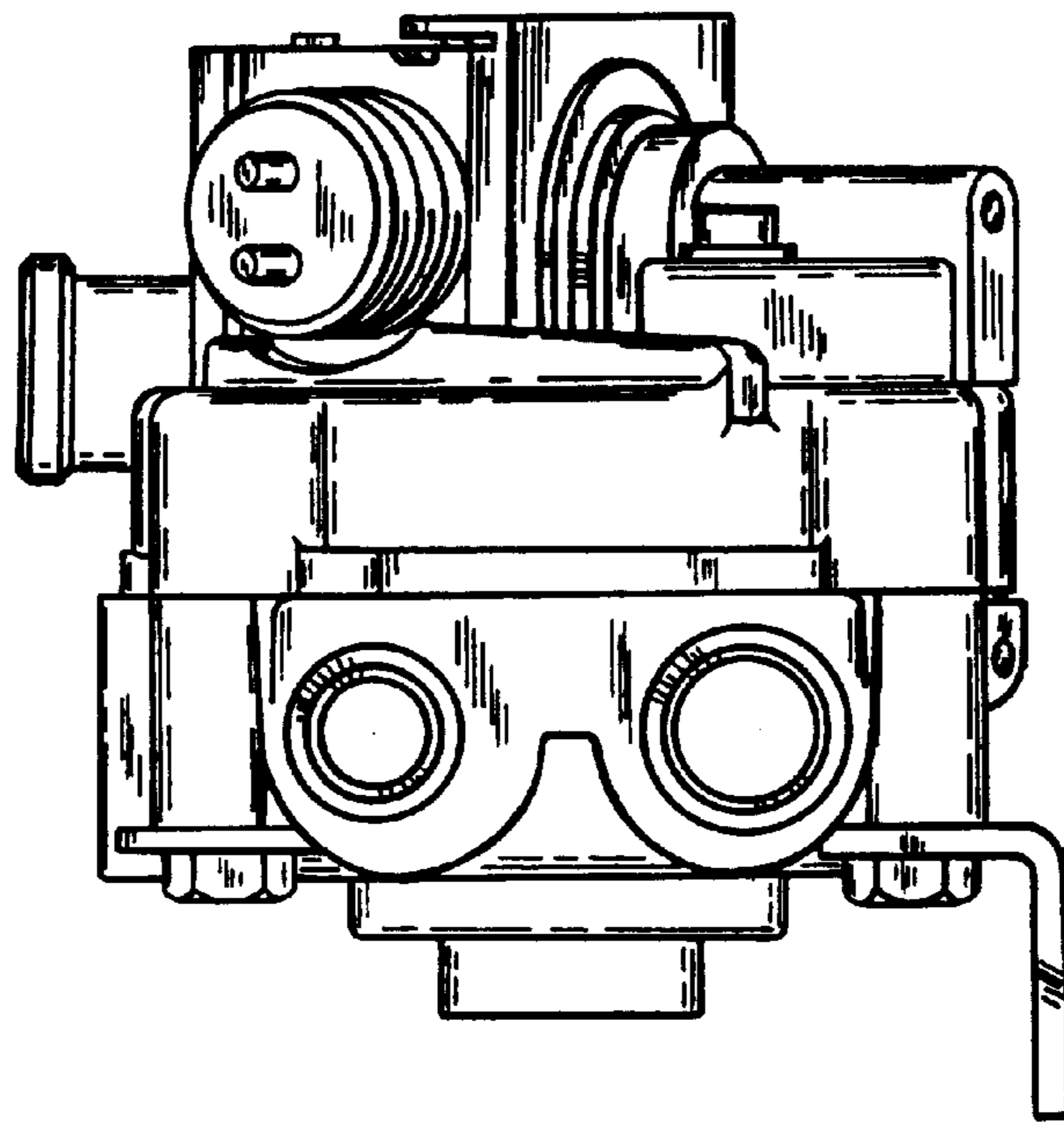


FIG. 3

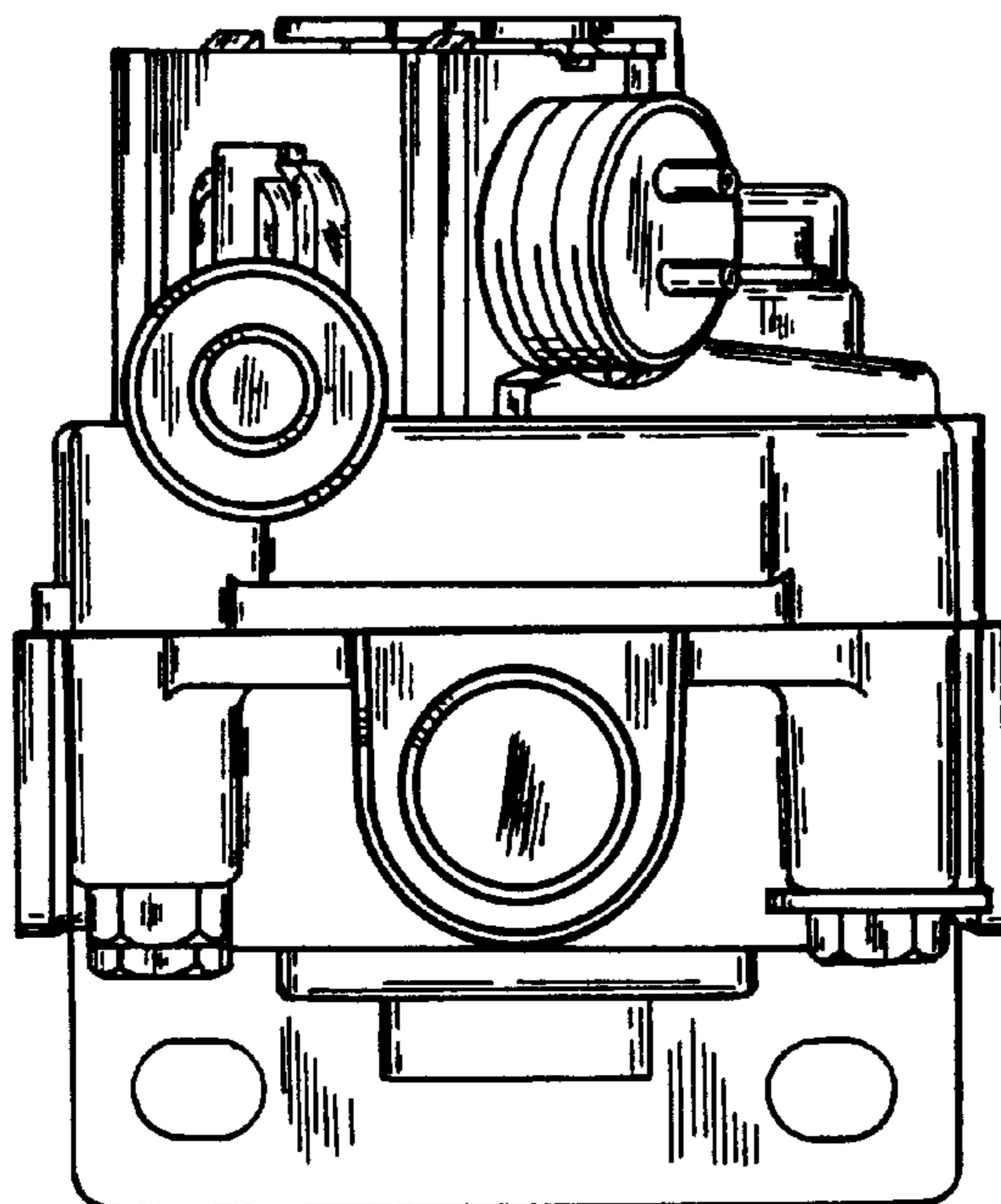


FIG. 4

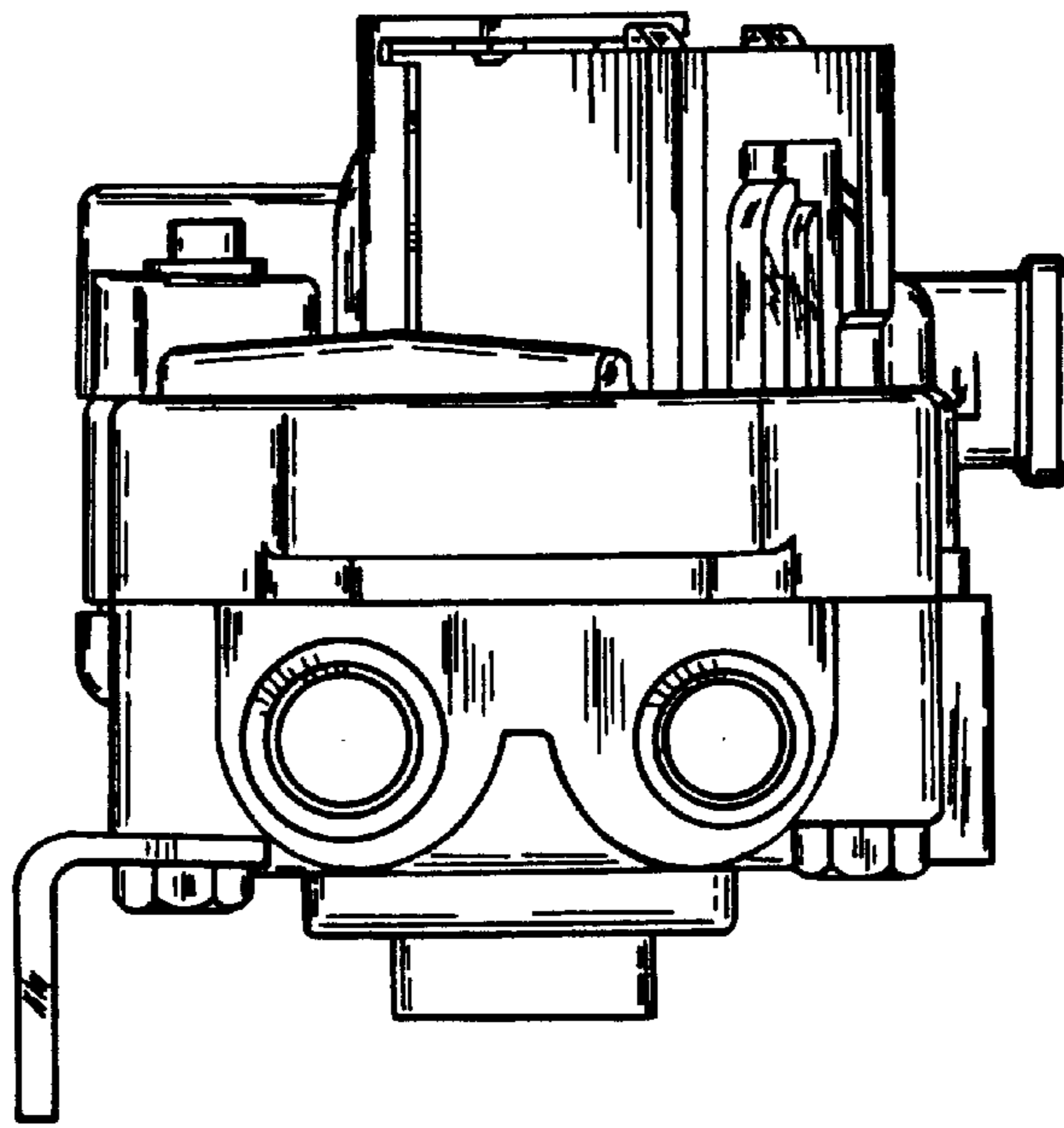


FIG. 5

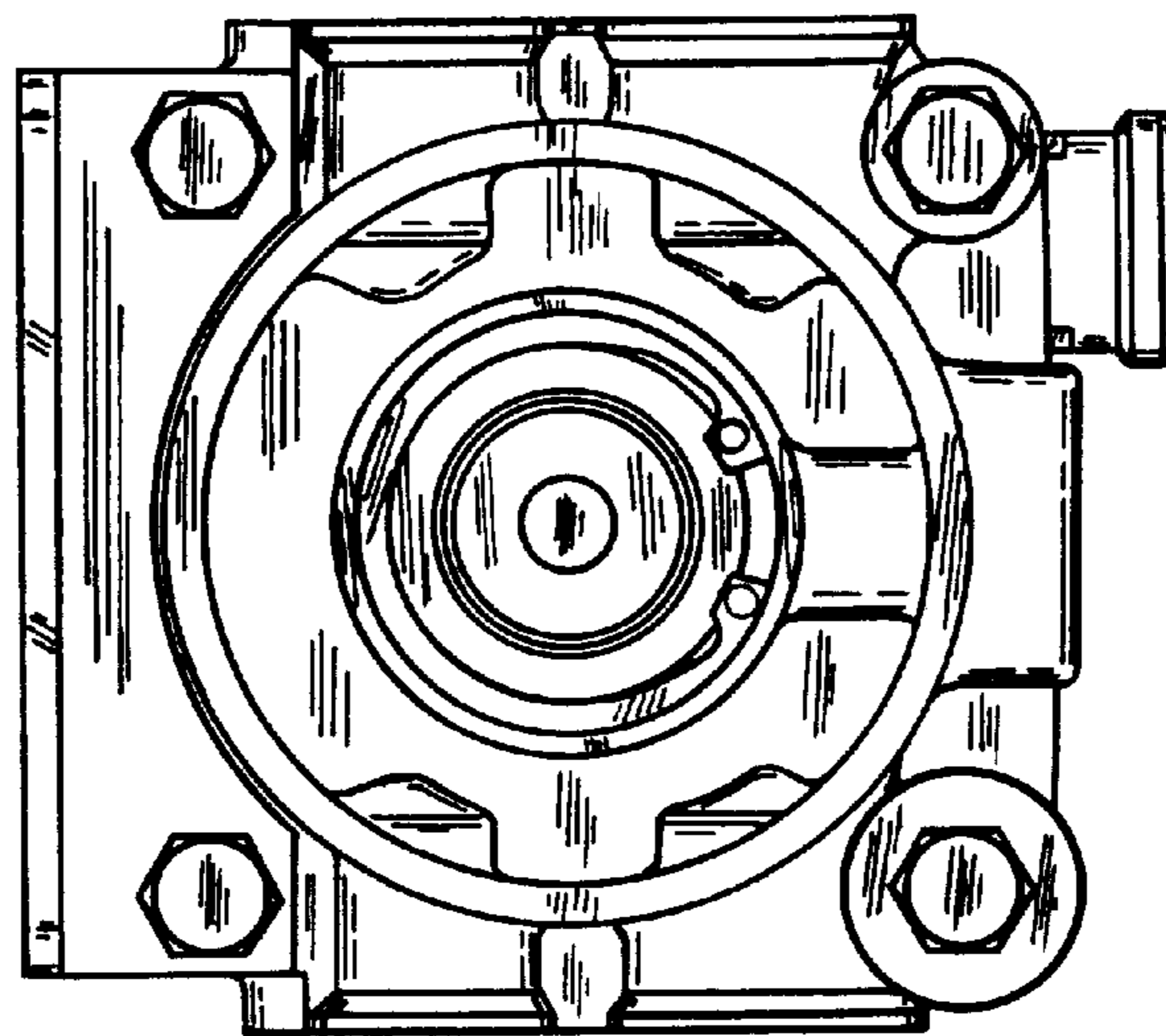


FIG. 6