



US00D424992S

United States Patent [19]

Faurote

[11] Patent Number: **Des. 424,992**

[45] Date of Patent: **** May 16, 2000**

[54] **VEHICLE GRILLE FRONT FACE SEGMENT**

[75] Inventor: **Brandon L. Faurote**, Rochester Hills, Mich.

[73] Assignee: **DaimlerChrysler Corporation**, Auburn Hills, Mich.

[**] Term: **14 Years**

[21] Appl. No.: **29/101,468**

[22] Filed: **Mar. 3, 1999**

[51] **LOC (7) Cl.** **12-16**

[52] **U.S. Cl.** **D12/163**

[58] **Field of Search** D12/163, 90-92;
180/68.6; 296/185; 293/115, 103, 120,
117

[56] **References Cited**

U.S. PATENT DOCUMENTS

- D. 313,784 1/1991 Marlow et al. D12/163
- D. 336,736 6/1993 Verduyn D12/91
- D. 346,990 5/1994 Abbott et al. D12/91
- D. 350,504 9/1994 Nixon D12/91
- D. 383,710 9/1997 Guichard et al. D12/91
- D. 389,438 1/1998 Guichard et al. D12/98

- D. 391,520 3/1998 Laster D12/91
- D. 396,677 8/1998 Sacco et al. D12/163
- D. 401,543 11/1998 Mobley D12/163
- D. 403,285 12/1998 Afalos et al. D12/163
- D. 416,519 11/1999 Won et al. D12/91

OTHER PUBLICATIONS

Motor Trend, Nov. 1998, p. 32, the front grill of 1998 Jeep Grand Cherokee Limited Vehicle.

Primary Examiner—Melody N. Brown
Attorney, Agent, or Firm—Mark P. Calcaterra

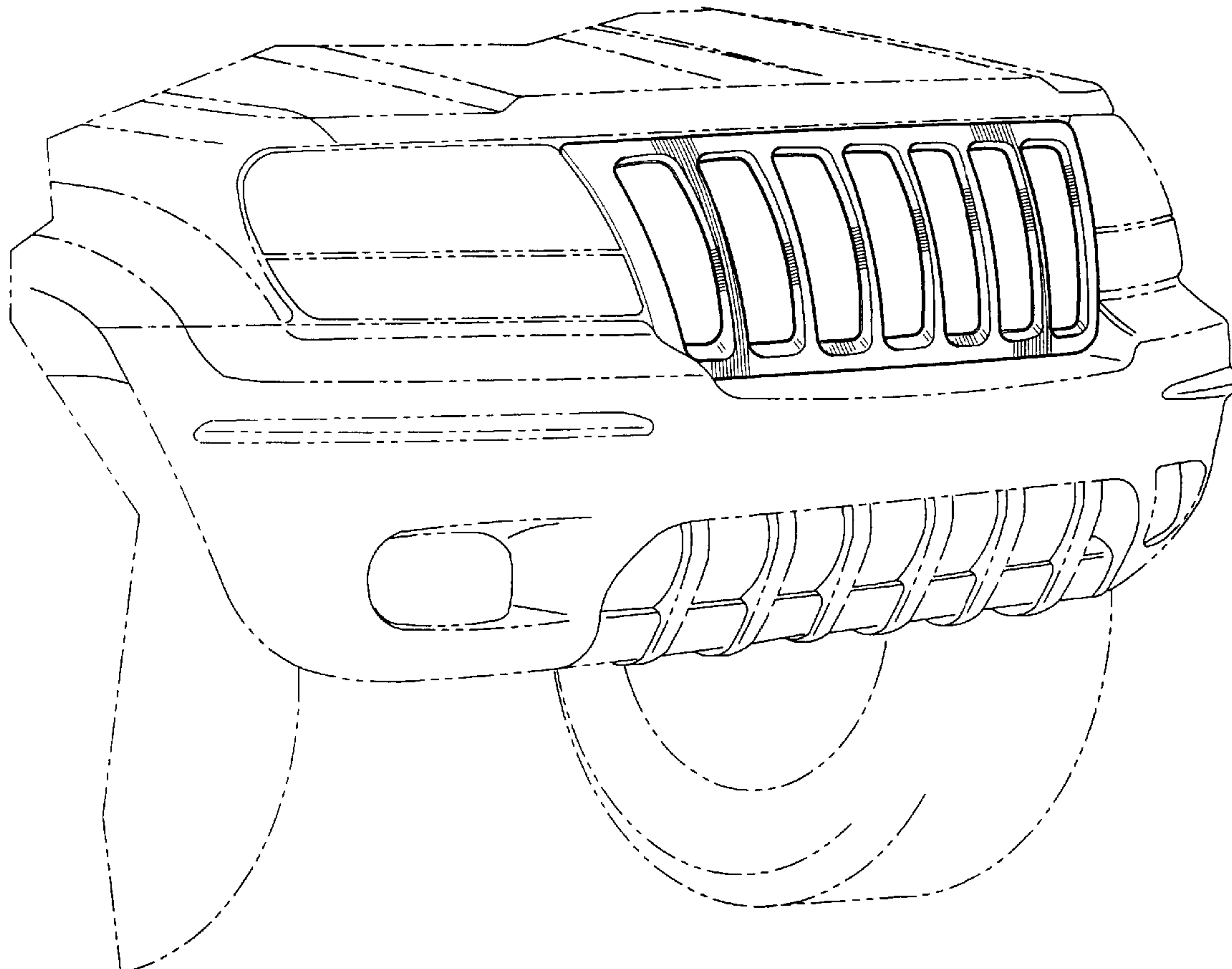
[57] **CLAIM**

The ornamental design for a vehicle grille front face segment, as shown and described.

DESCRIPTION

FIG. 1 is a front perspective view illustrating a vehicle grille front face segment according to the teachings of the present invention and shown operatively associated with a motor vehicle, it being understood that the broken line showing of the remainder of the motor vehicle is for illustrative purposes only and forms no part of the present invention; and, FIG. 2 is a front view thereof.

1 Claim, 1 Drawing Sheet



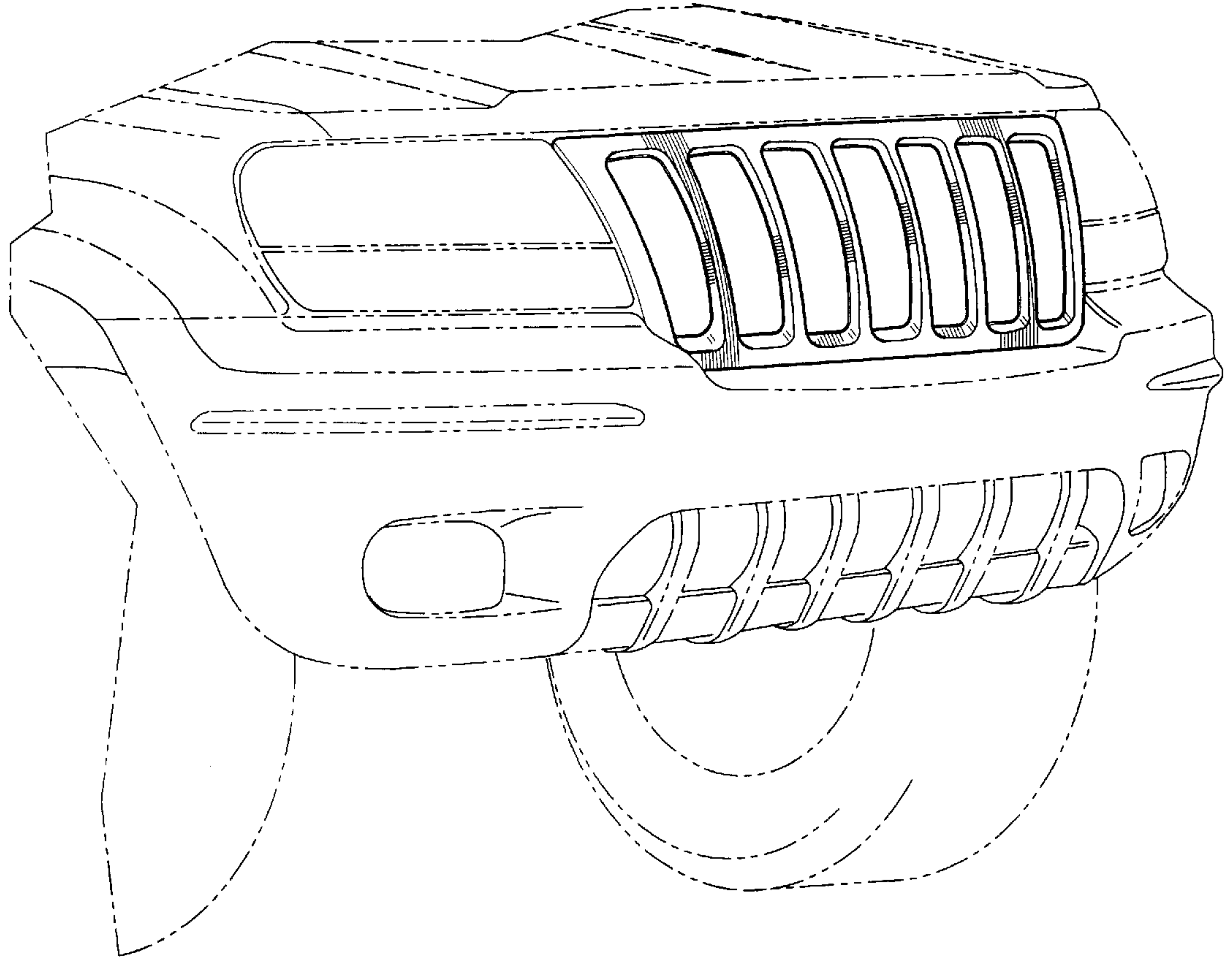


Fig-1

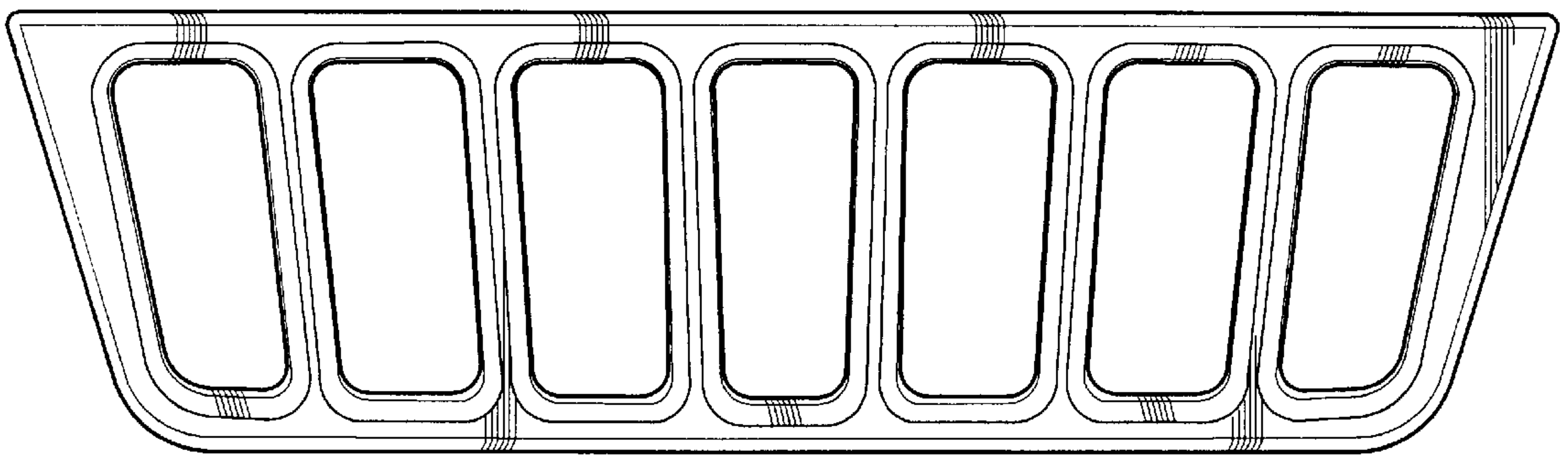


Fig-2