



US00D424990S

United States Patent [19]
McCoy et al.

[11] **Patent Number: Des. 424,990**
[45] **Date of Patent: ** May 16, 2000**

[54] **ELLIPTICAL TUBE RECEIVER WITH EXTENDED BRACKET**

D. 379,343 5/1997 Shaw et al. D12/162

[75] Inventors: **Richard W. McCoy**, Granger; **Chad A. McCoige**, Mishawaka; **Donald L. Pancheri**, South Bend, all of Ind.; **Michael A. Hoopes**, White Pigeon, Mich.

OTHER PUBLICATIONS
Reese Products, Inc., "1998 Products, Applications & Towing Accessories Catalog," 1st ed., Reese Products, Inc., (Jan. 18, 1998).

[73] Assignee: **Reese Products, Inc.**, Elkhart, Ind.

Primary Examiner—Jeffrey Asch
Assistant Examiner—Stacia Sinuik
Attorney, Agent, or Firm—King and Schickli

[**] Term: **14 Years**

[57] **CLAIM**

[21] Appl. No.: **29/095,825**

The ornamental design for an elliptical tube receiver with extended bracket, as shown and described.

[22] Filed: **Oct. 30, 1998**

DESCRIPTION

[51] **LOC (7) Cl.** **12-16**
[52] **U.S. Cl.** **D12/162**
[58] **Field of Search** D12/162, 400;
280/402, 416.1, 415.1, 482, 490.1, 493,
495, 491.1–491.5, 500, 505, 501, 509, 511

FIG. 1 is a perspective view of the elliptical tube receiver with extended bracket of the present invention; FIG. 2 is a rear elevational view thereof; FIG. 3 is a right side elevational view thereof; FIG. 4 is a front side elevational view thereof; FIG. 5 is a left side elevational view thereof; FIG. 6 is a top plan view thereof; and, FIG. 7 is a bottom plan view thereof.

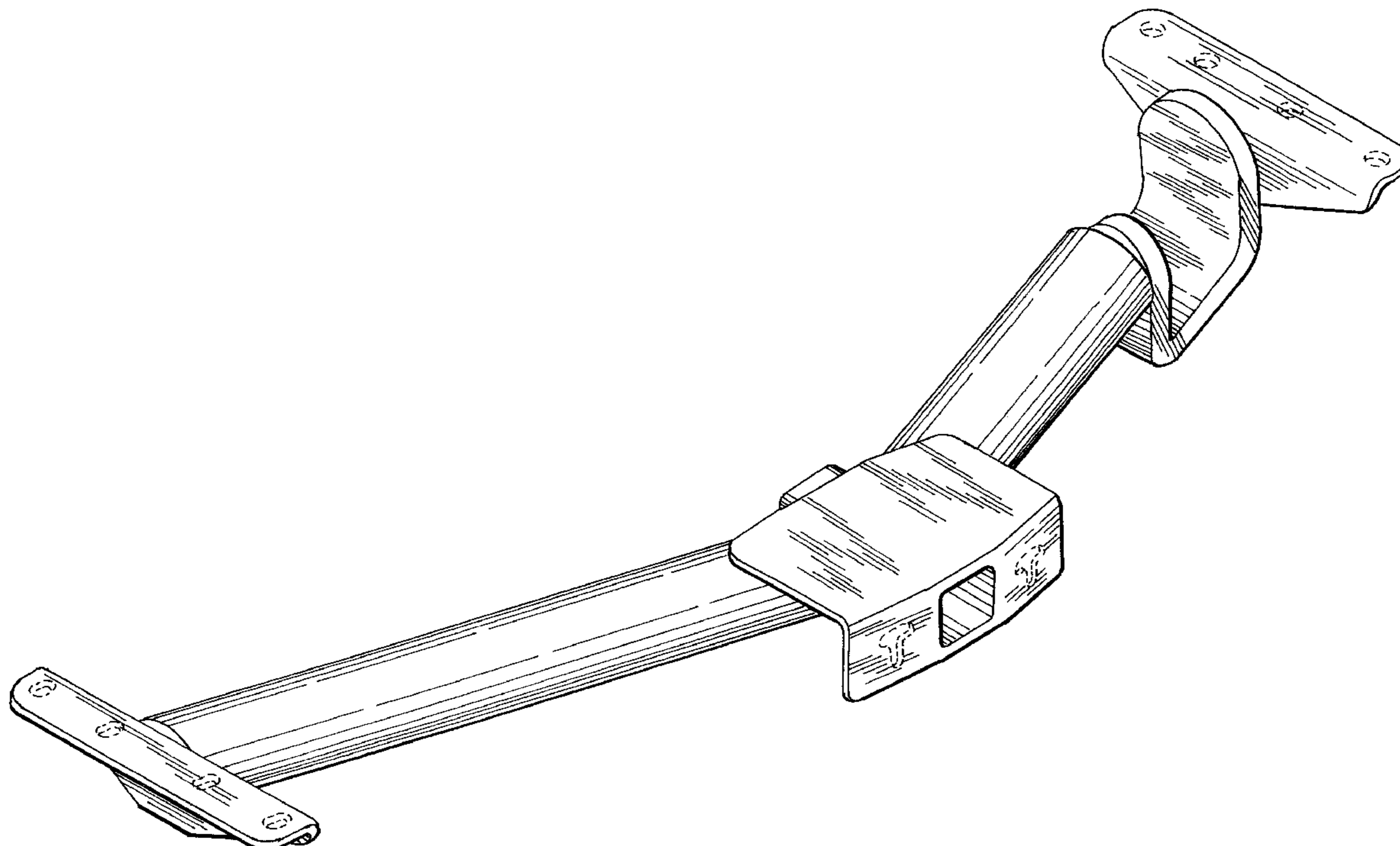
[56] **References Cited**

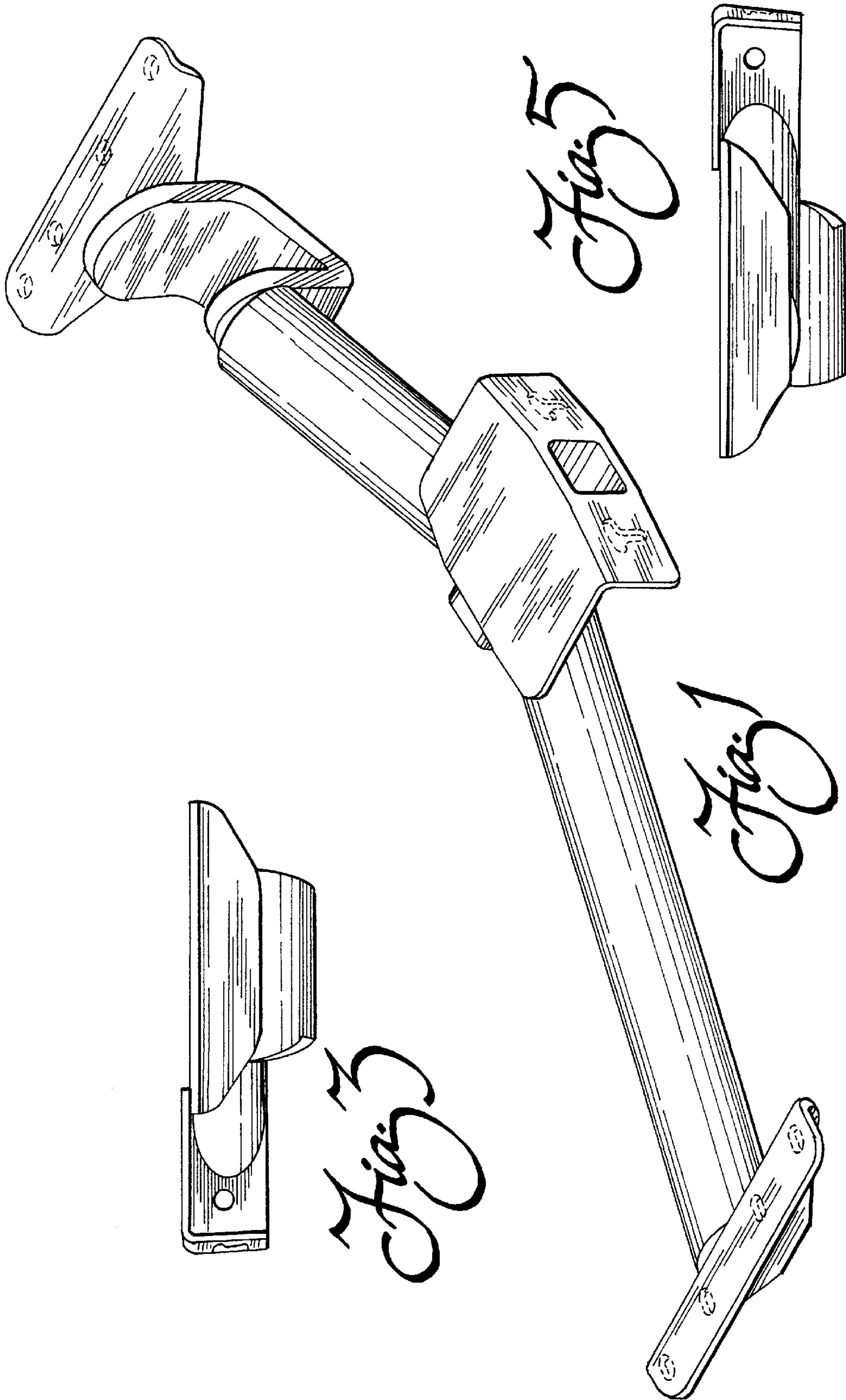
The broken line showing of environment is for illustrative purposes only and forms no part of the claimed design.

U.S. PATENT DOCUMENTS

D. 341,117 11/1993 Sundstedt D12/162
D. 367,632 3/1996 Grieve D12/162
D. 373,557 9/1996 Shaw et al. D12/162

1 Claim, 3 Drawing Sheets





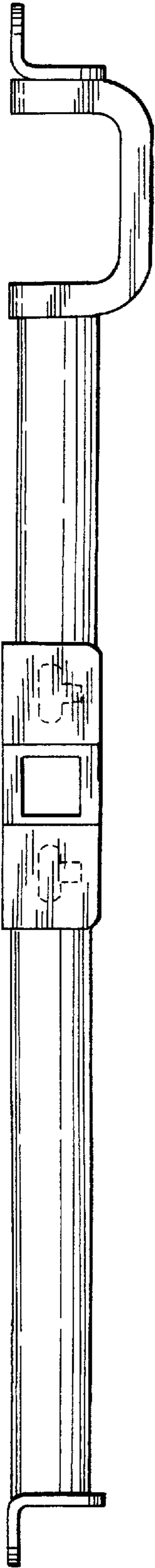


Fig. 2

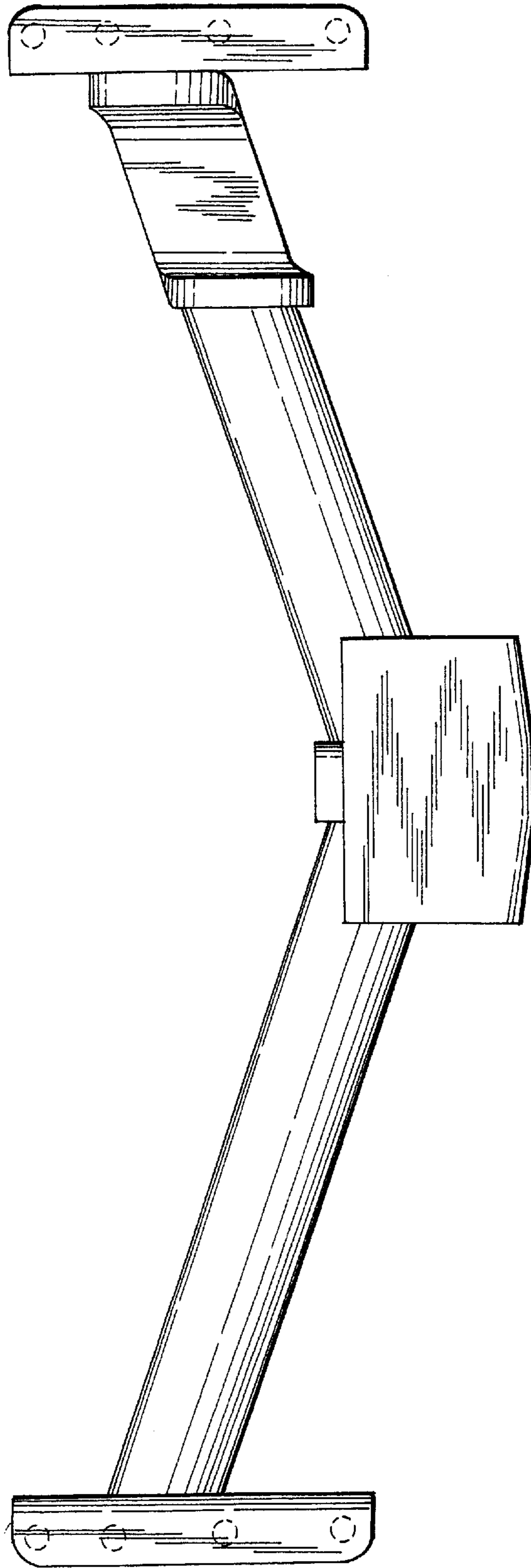


Fig. 6

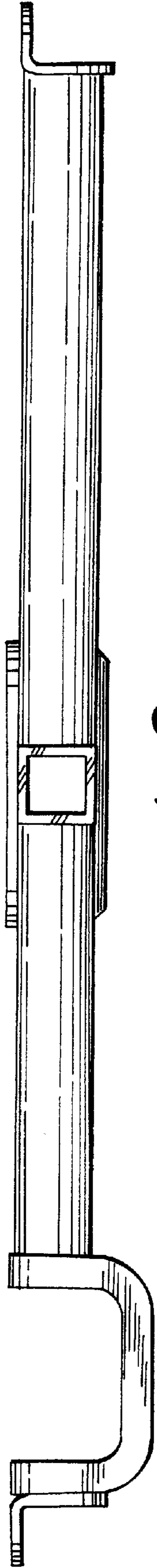


Fig. 24

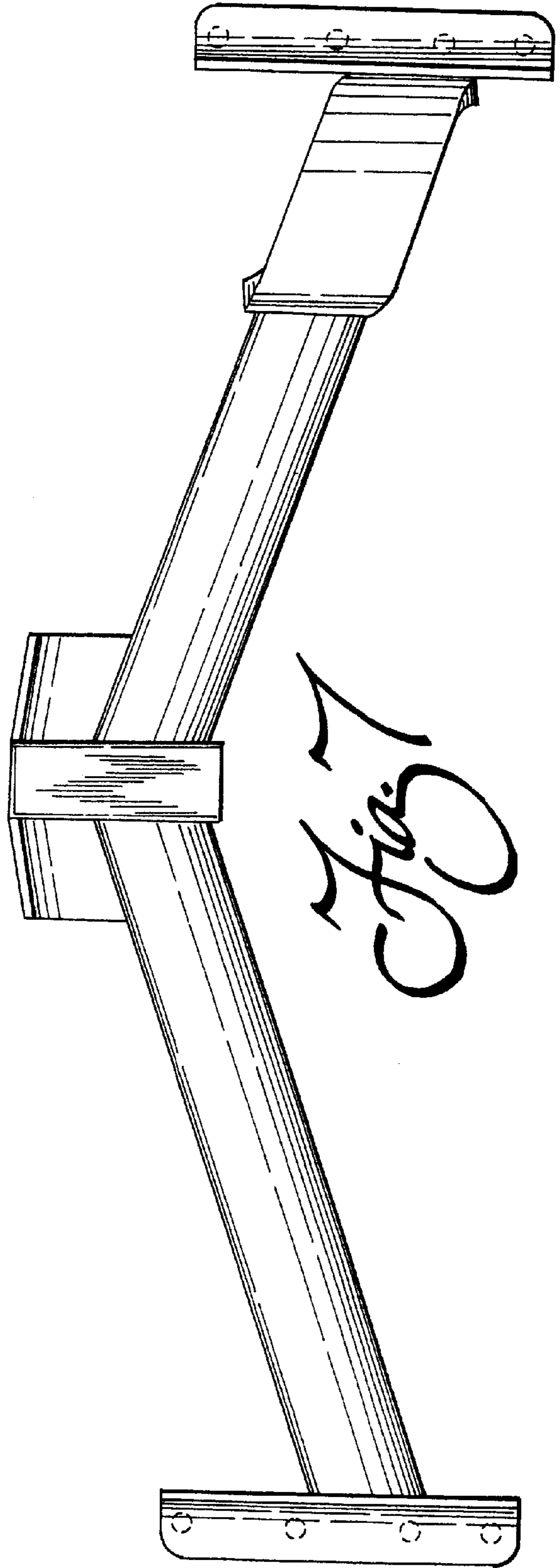


Fig. 27