



US00D424988S

United States Patent [19] Rothlisberger

[11] Patent Number: **Des. 424,988**

[45] Date of Patent: **** May 16, 2000**

[54] **DIFFERENTIAL COVER**

[76] Inventor: **Roy Rothlisberger**, 14718 Arminata St.,
Van Nuys, Calif. 91402

[**] Term: **14 Years**

[21] Appl. No.: **29/084,348**

[22] Filed: **Mar. 2, 1998**

[51] **LOC (7) Cl.** **12-16**

[52] **U.S. Cl.** **D12/160**

[58] **Field of Search** D12/159, 160;
D13/162; D15/148; 74/606 A, 606 R, 607;
141/94, 95; 184/1.5, 6.4, 6.12, 104.3, 105.1

[56] **References Cited**

U.S. PATENT DOCUMENTS

D. 327,280	6/1992	Macomber	D12/160
D. 346,781	5/1994	Homme	D12/159
D. 352,275	11/1994	Crawley	D13/162
1,950,034	3/1934	Mulford et al.	74/607

1,991,618	2/1935	Lyman	184/104.3
3,041,890	7/1962	O'Brien	74/607
3,171,293	3/1965	Robinson	74/607
3,817,354	6/1974	Meiners	184/104.3
5,058,456	10/1991	Manrique et al.	74/606 R

Primary Examiner—Robert M. Spear
Attorney, Agent, or Firm—Walter A. Hackler

[57] **CLAIM**

The ornamental design for a differential cover, as shown and described.

DESCRIPTION

FIG. 1 is a perspective view of the present invention; FIG. 2 is a front elevation view of the present invention; FIG. 3 is a right elevation view of the present invention; FIG. 4 is a left elevation view of the present invention; FIG. 5 is a bottom plan view of the present invention; FIG. 6 is a top plan view of the present invention; and, FIG. 7 is a rear plan view of the present invention.

1 Claim, 5 Drawing Sheets

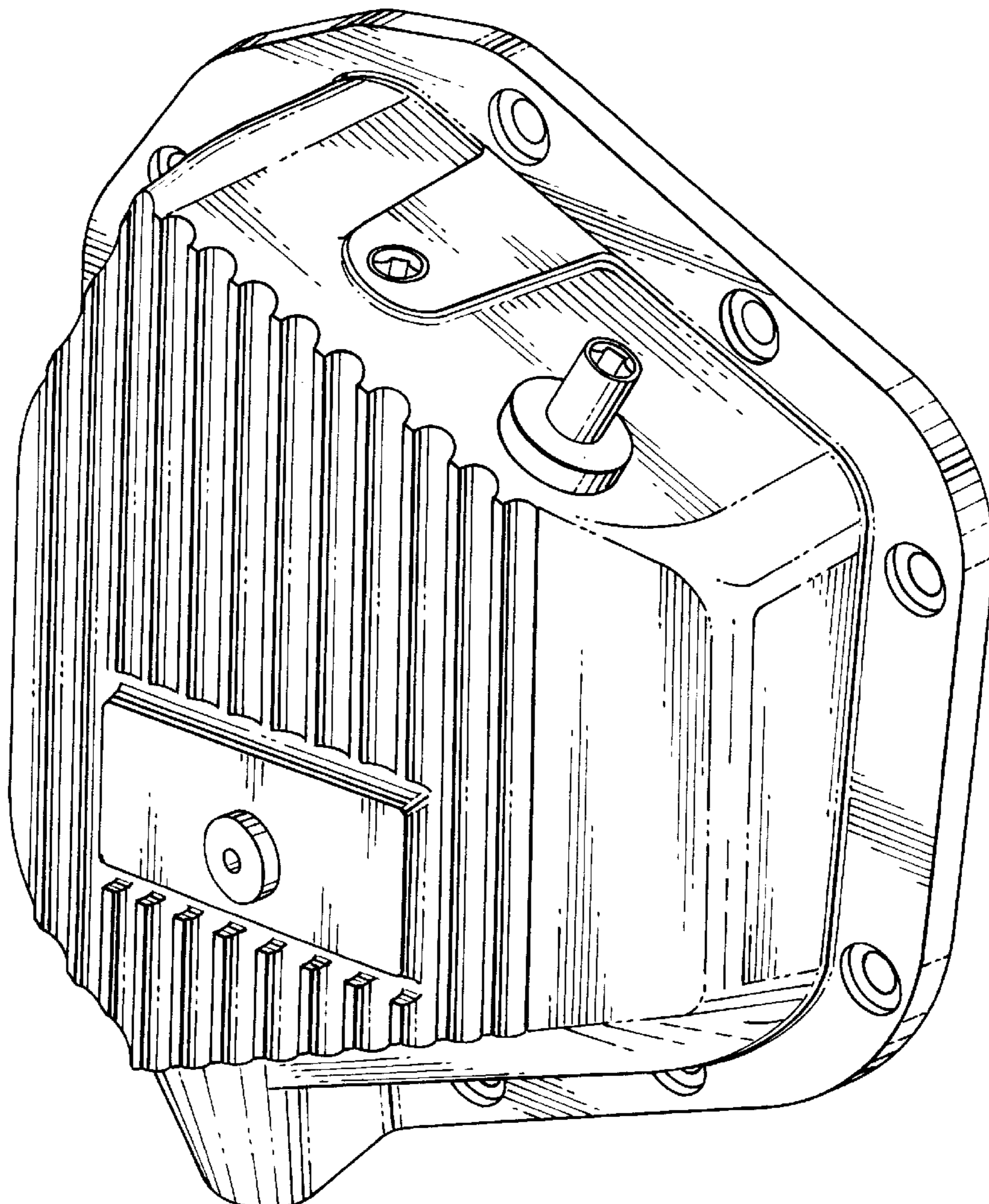


FIG. 1.

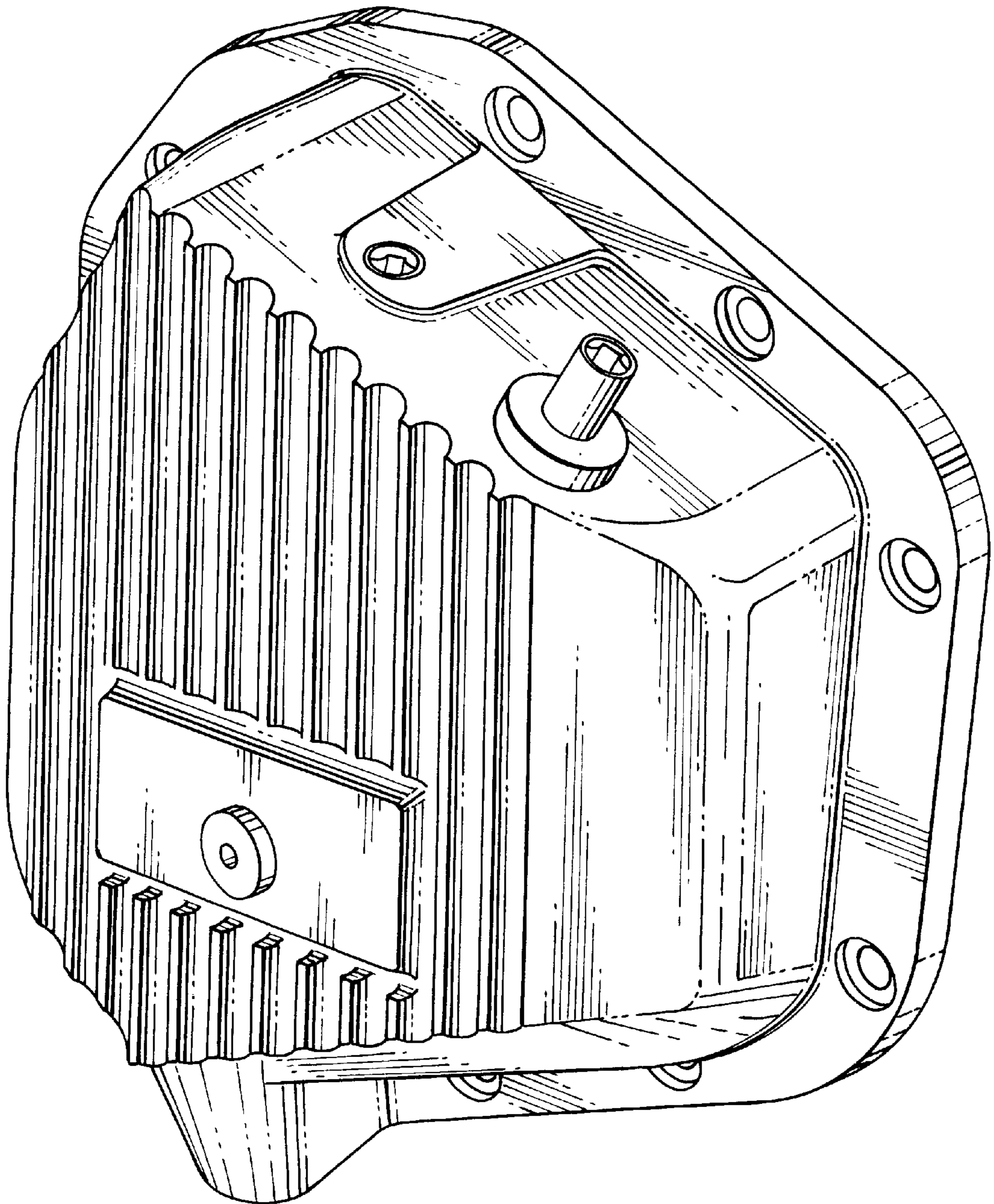
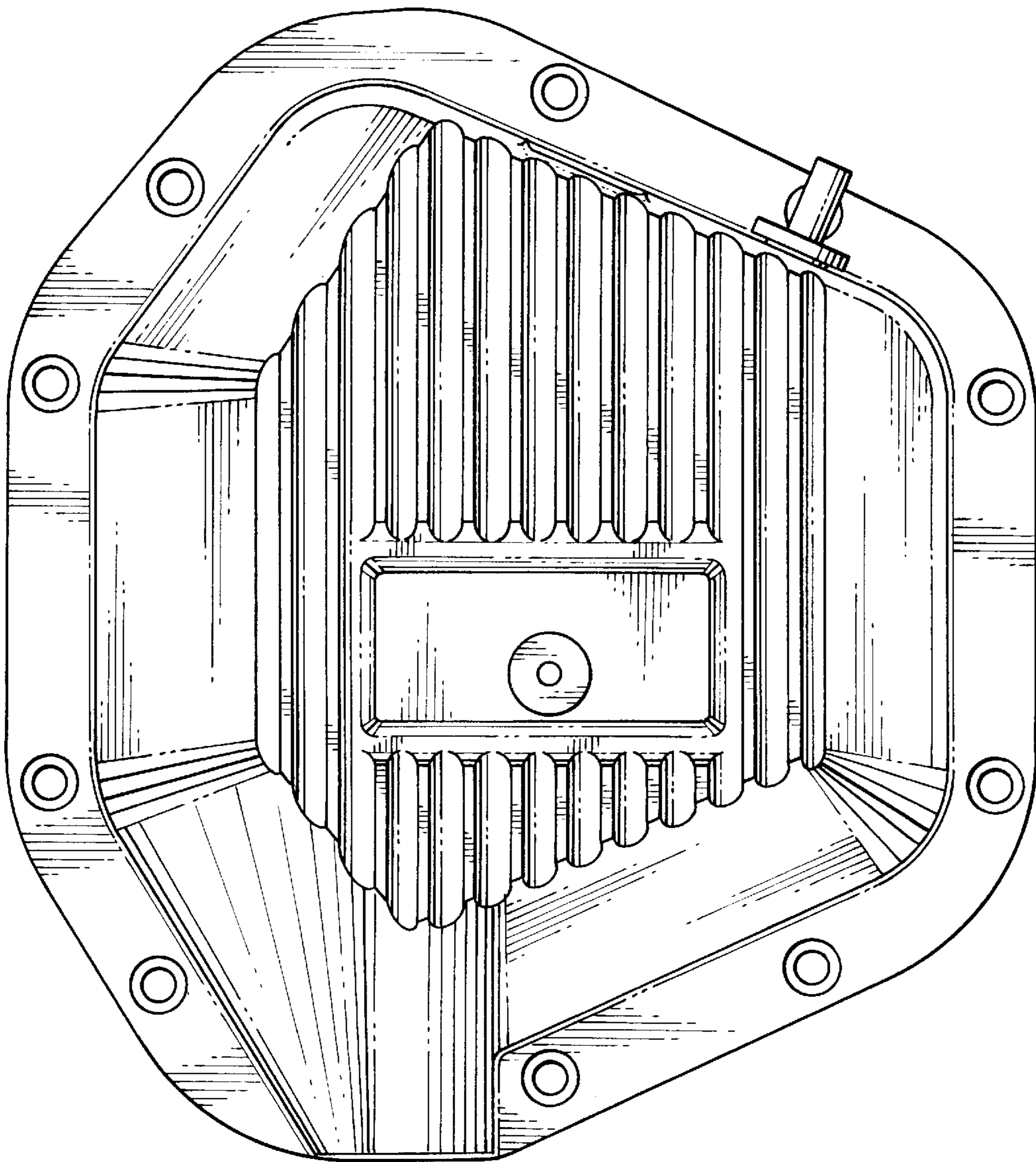


FIG. 2.



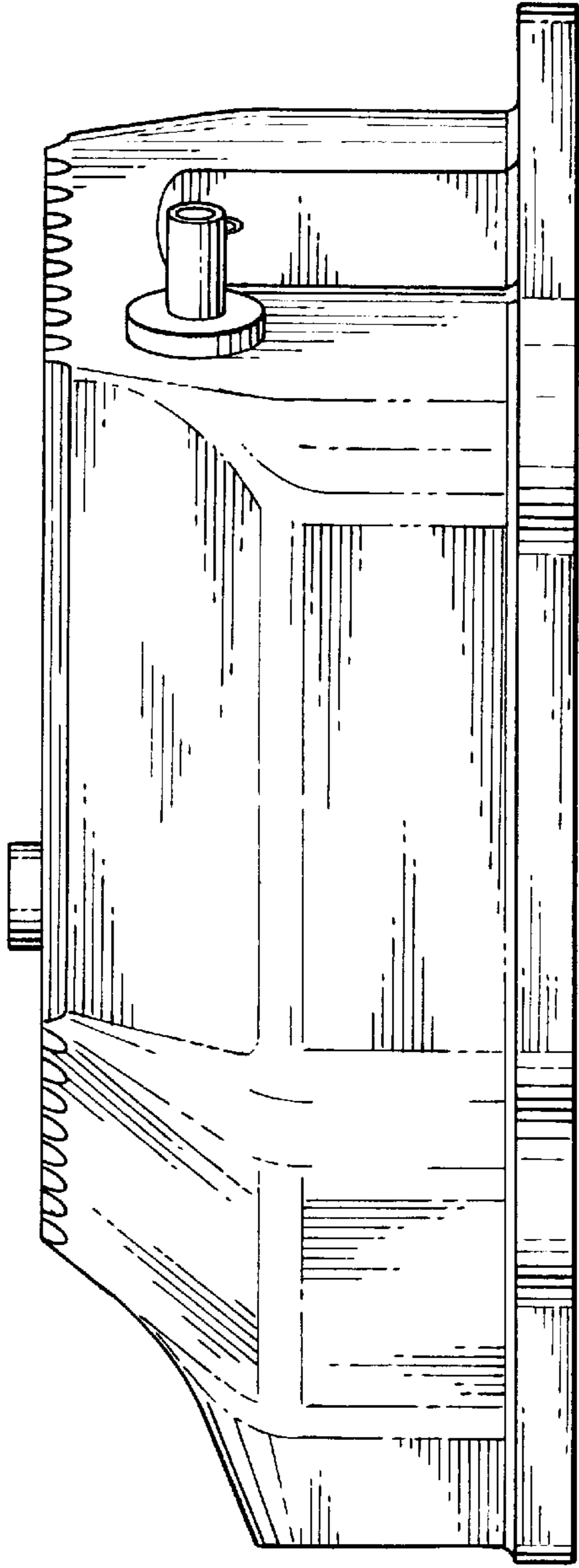


FIG. 3.

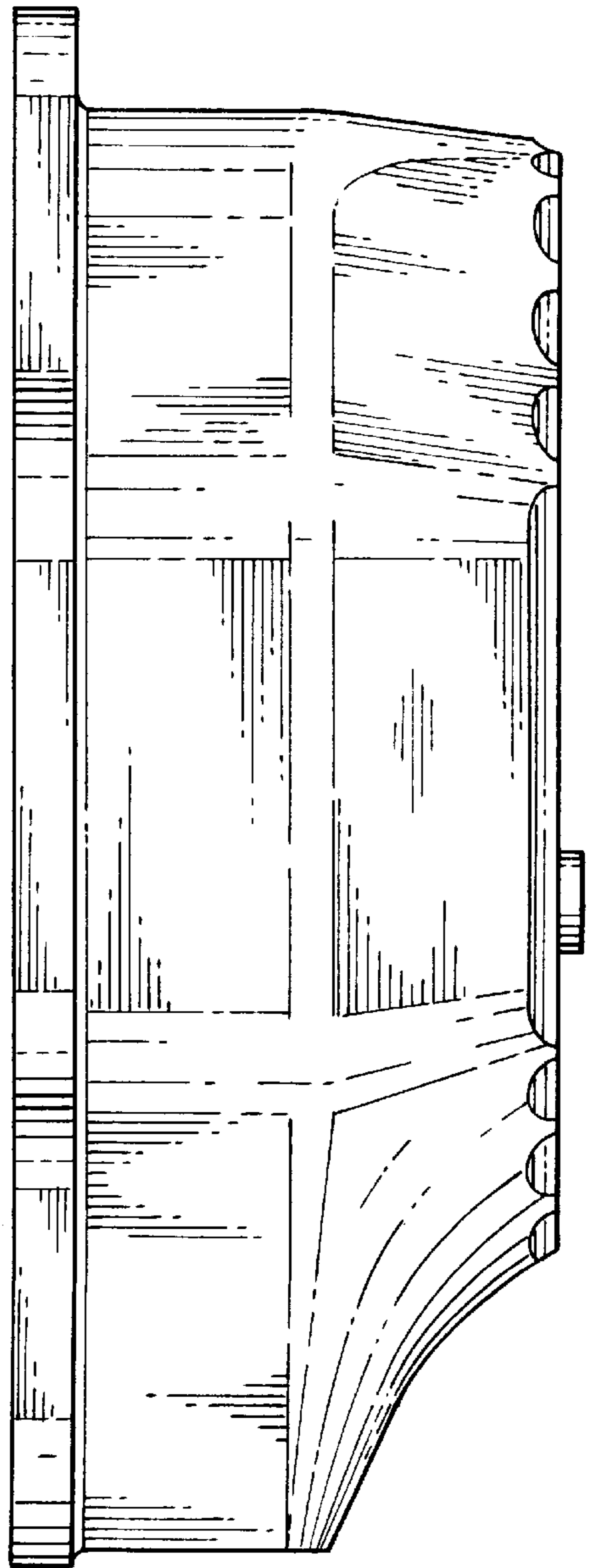


FIG. 4.

FIG. 5.

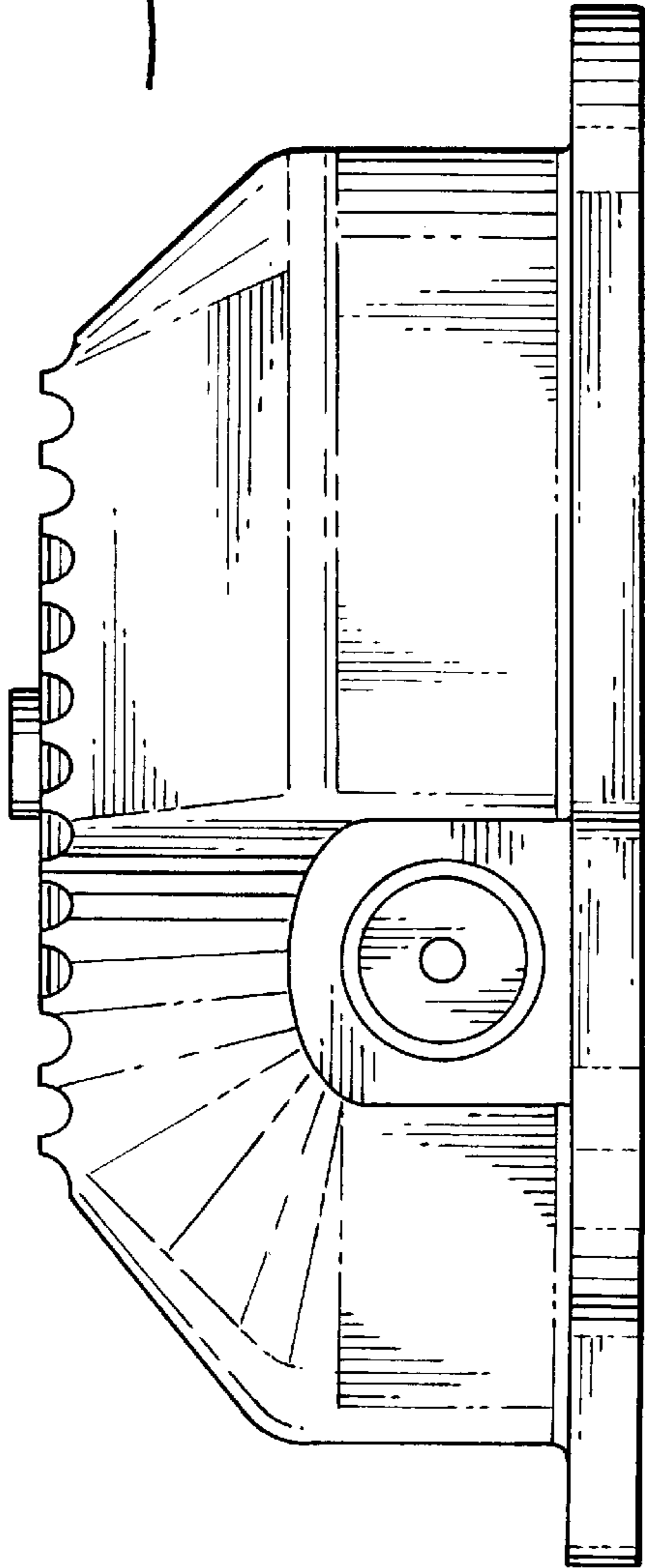


FIG. 6.

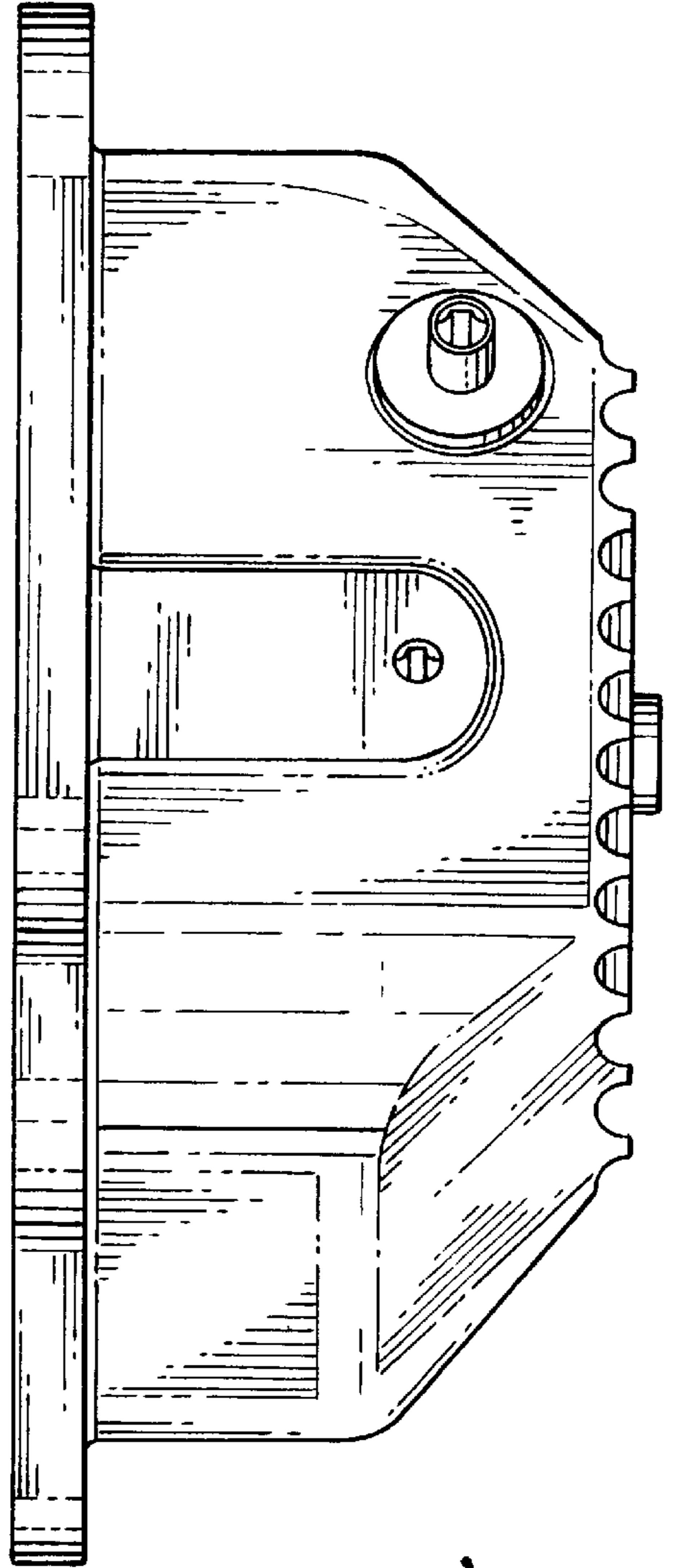


FIG. 7.

