



US00D424986S

United States Patent [19] Yoshioka

[11] Patent Number: **Des. 424,986**

[45] Date of Patent: **** May 16, 2000**

[54] **AUTOMOBILE TIRE**

[75] Inventor: **Shigeki Yoshioka**, Akashi, Japan

[73] Assignee: **Sumitomo Rubber Industries, Ltd.**,
Kobe, Japan

[**] Term: **14 Years**

[21] Appl. No.: **29/101,813**

[22] Filed: **Mar. 11, 1999**

[30] **Foreign Application Priority Data**

Sep. 11, 1998 [JP] Japan 10-26148

[51] **LOC (7) Cl.** **12-15**

[52] **U.S. Cl.** **D12/147**

[58] **Field of Search** D12/136-152;
152/209.1, 209.8, 209.9, 209.11, 209.13,
209.28, 900, 902, 903

[56] **References Cited**

U.S. PATENT DOCUMENTS

D. 304,558	11/1989	Fukumoto	D12/146
D. 326,071	5/1992	Enoki et al.	D12/146
D. 377,635	1/1997	Numata	D12/147
D. 384,608	10/1997	Schuster	D12/146
D. 388,034	12/1997	Le et al.	D12/146

OTHER PUBLICATIONS

Dayton Drive Radial Deep Skid Tire, 1997 Tread Design Guide, p. 134. 1/4, Jan. 1997.

Heritage Super Fleet Premium Drive L-20 Tire, 1997 Tread Design Guide, p. 147. 1/2, Jan. 1997.

Marshal Power Fleet 948 Tire, 1997 Tread Design Guide, p. 152. 1/4, Jan. 1997.

Primary Examiner—Robert M. Spear
Attorney, Agent, or Firm—Pillsbury Madison & Sutro LLP

[57] **CLAIM**

The ornamental design for an automobile tire, as shown and described.

DESCRIPTION

FIG. 1 is a front perspective view of an automobile tire showing my new design, it being understood that the tire design is repeated uniformly throughout the circumference of the tire and the opposite side is the same as that shown; FIG. 2 is a front elevational view thereof; FIG. 3 is a left side view thereof; FIG. 4 is a top plan view thereof; FIG. 5 is a right side view thereof; and, FIG. 6 is an enlarged fragmentary front elevational view thereof.

1 Claim, 2 Drawing Sheets

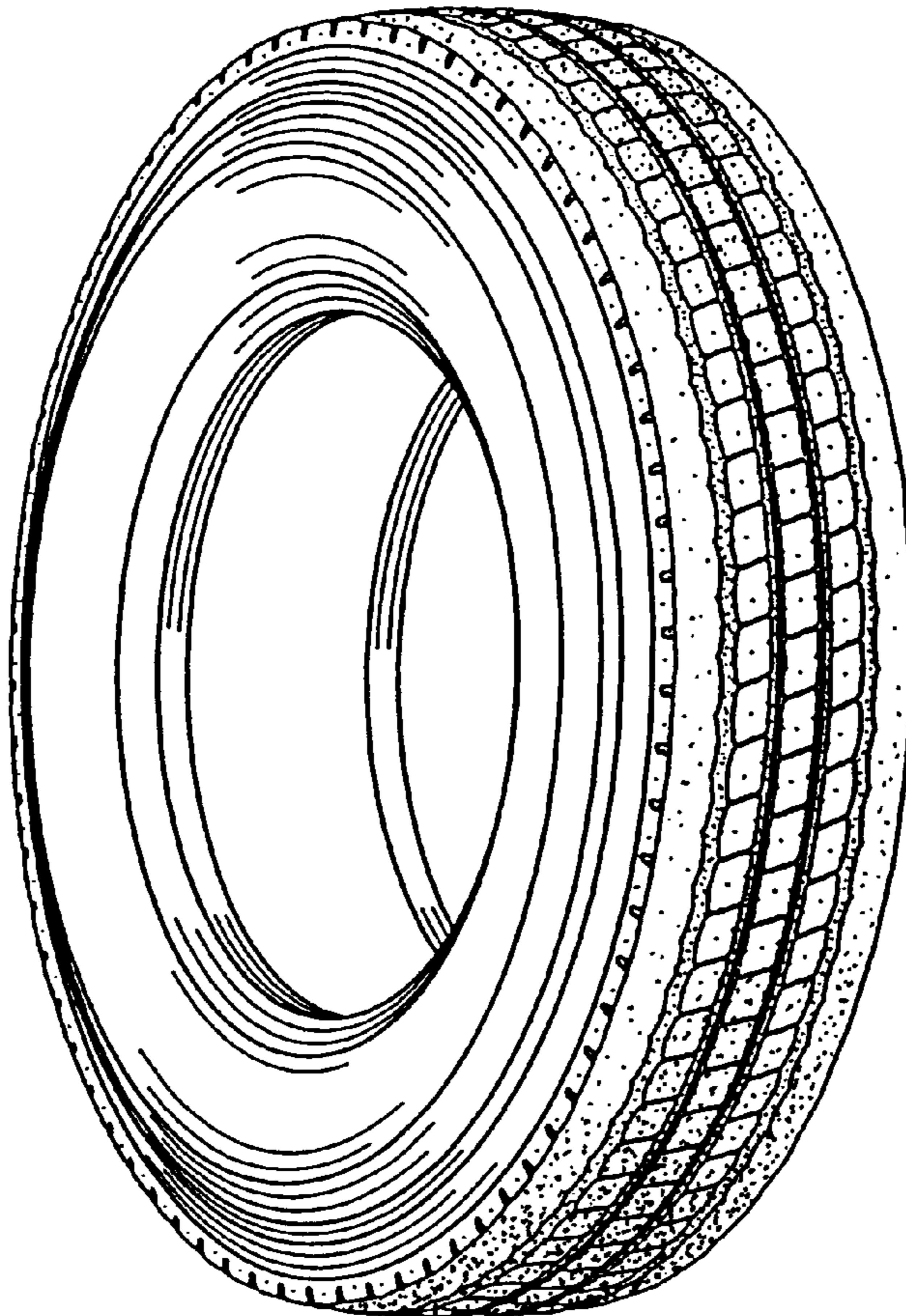


FIG. 1

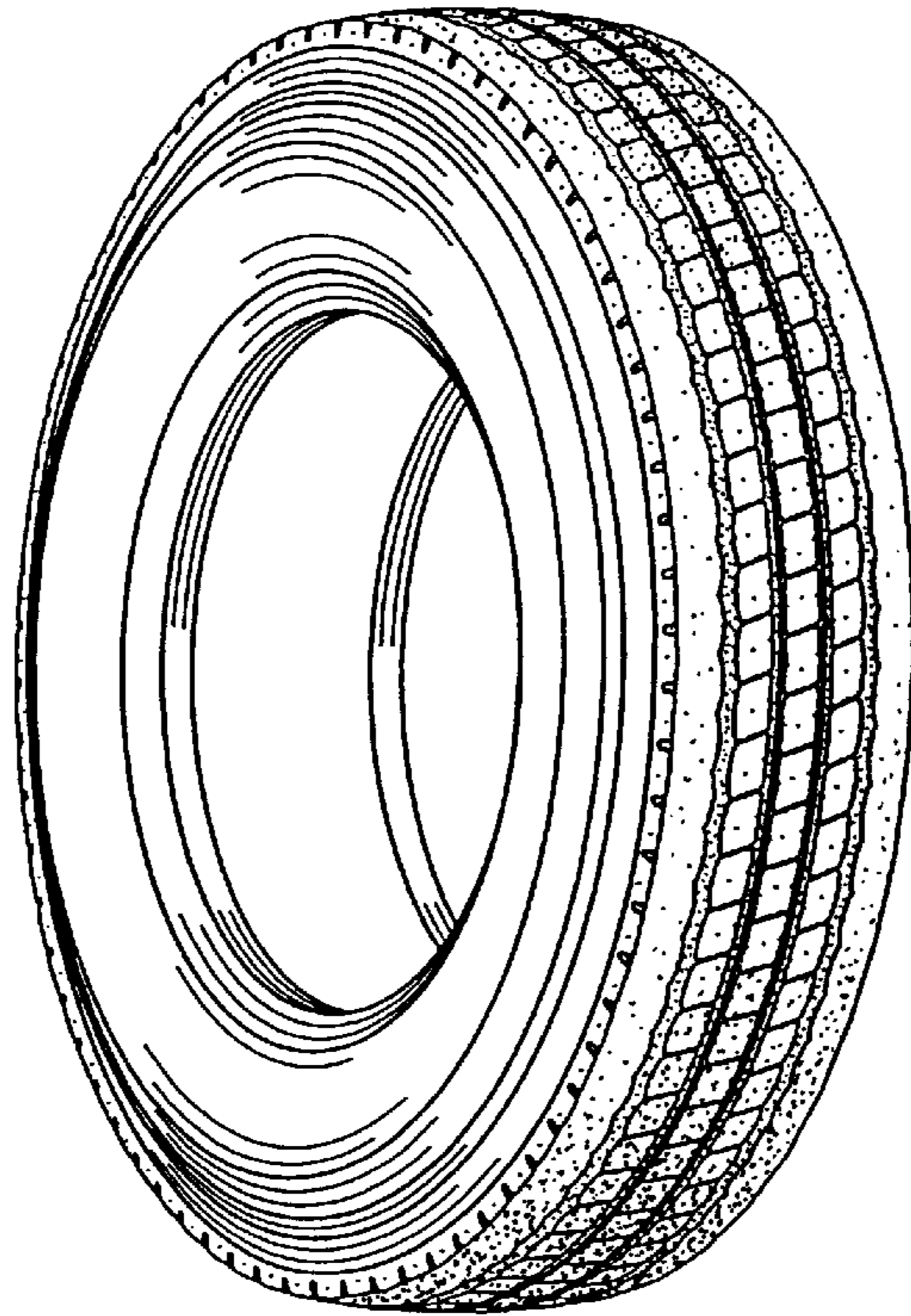


FIG. 2

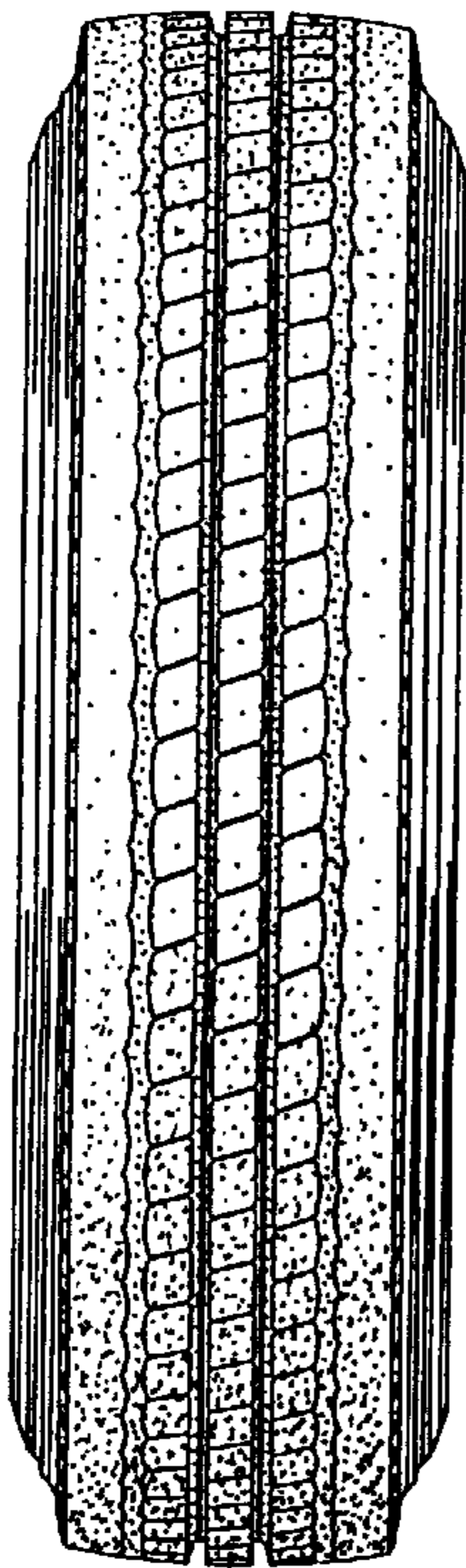


FIG. 3

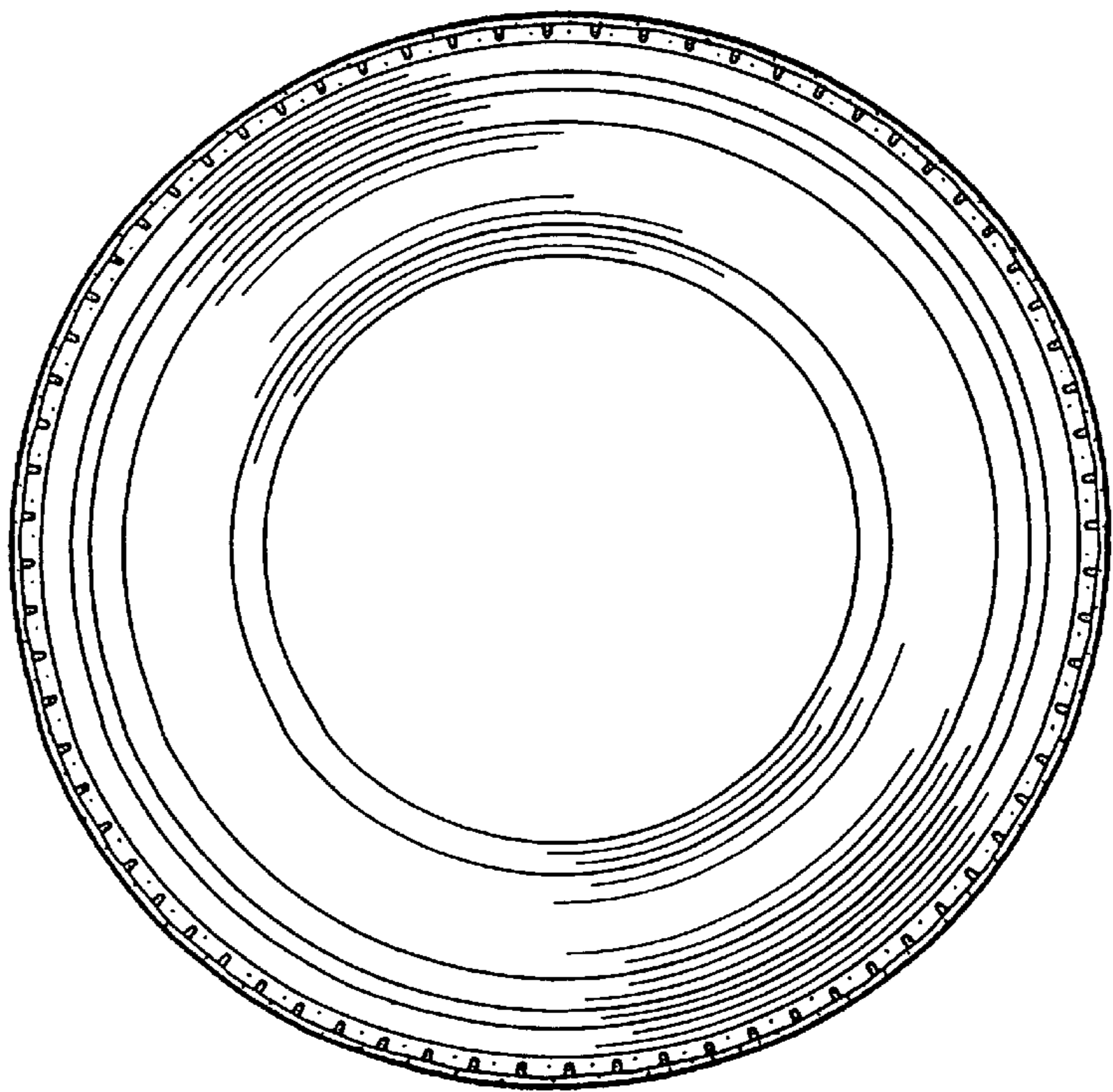


FIG. 4

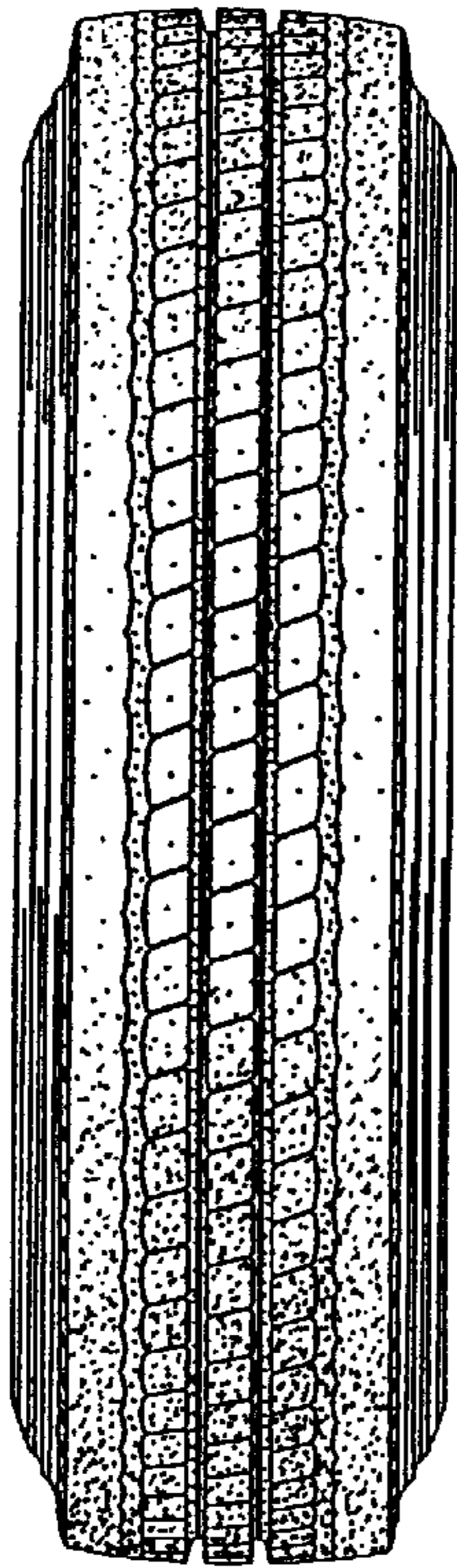


FIG. 5

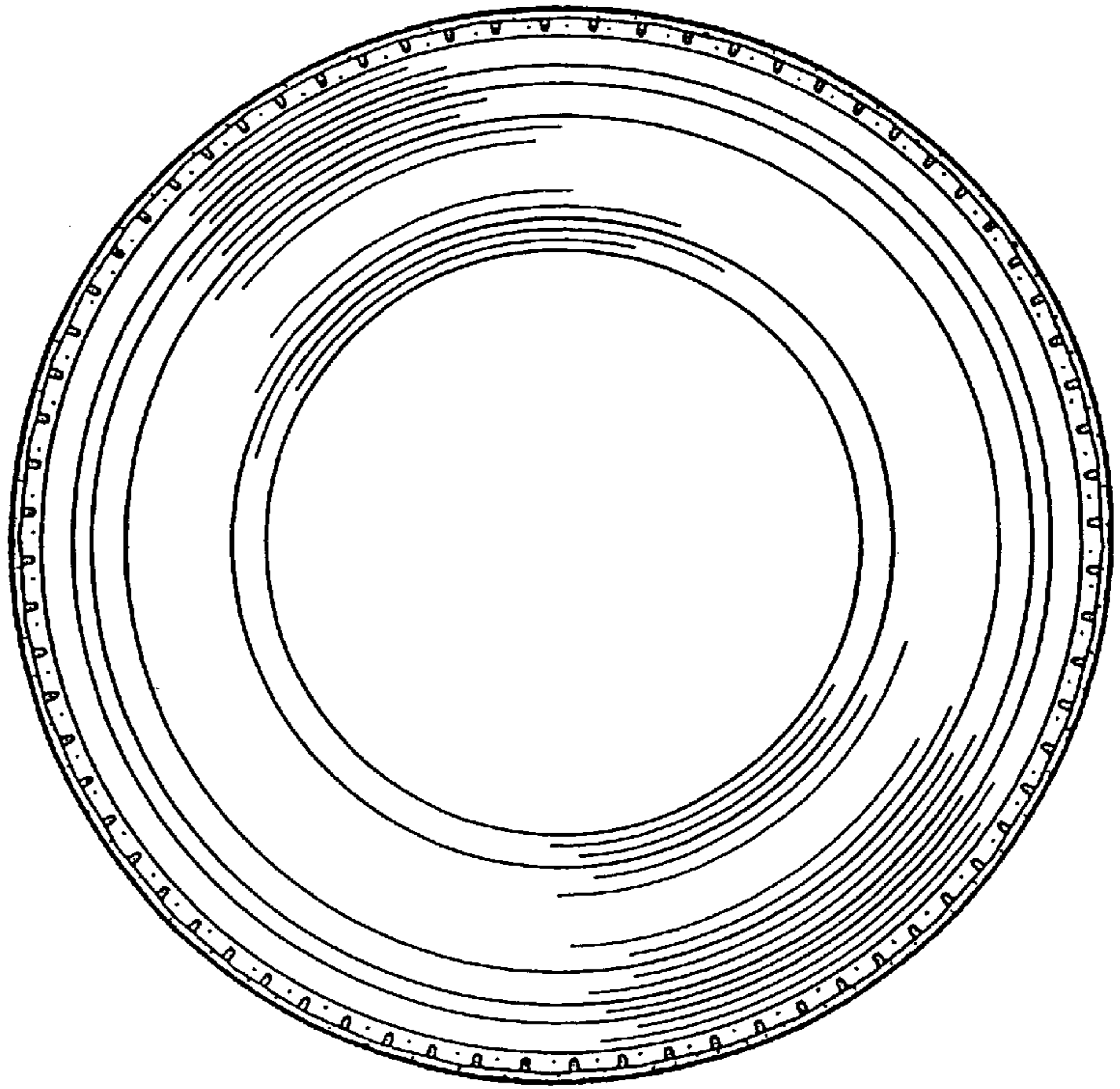


FIG. 6

