



US00D424984S

United States Patent [19]
Hanamura

[11] **Patent Number: Des. 424,984**

[45] **Date of Patent: ** May 16, 2000**

[54] **BICYCLE DERAILLEUR**

[75] Inventor: **Junichi Hanamura**, Wakayama, Japan

[73] Assignee: **Shimano Inc.**, Osaka, Japan

[**] Term: **14 Years**

[21] Appl. No.: **29/083,280**

[22] Filed: **Feb. 9, 1998**

[51] **LOC (7) Cl.** **12-11**

[52] **U.S. Cl.** **D12/124**

[58] **Field of Search** D12/124; 74/475,
74/489, 531; 474/82; 280/257

[56] **References Cited**

U.S. PATENT DOCUMENTS

D. 231,518	4/1974	Campagnolo	D12/124
D. 283,415	4/1986	Ishikawa	D12/124
D. 292,503	10/1987	Juy	D12/124
D. 307,735	5/1990	Chappell	D12/124
D. 339,770	9/1993	Noami	D12/124

OTHER PUBLICATIONS

1996 Shimano Bicycle System Components Aug. 1995, pp. 14, 20, 48, 50, 52 and 54.

Primary Examiner—Alan P. Douglas
Assistant Examiner—Linda Brooks
Attorney, Agent, or Firm—Shinju Global IP Counselors, LLP

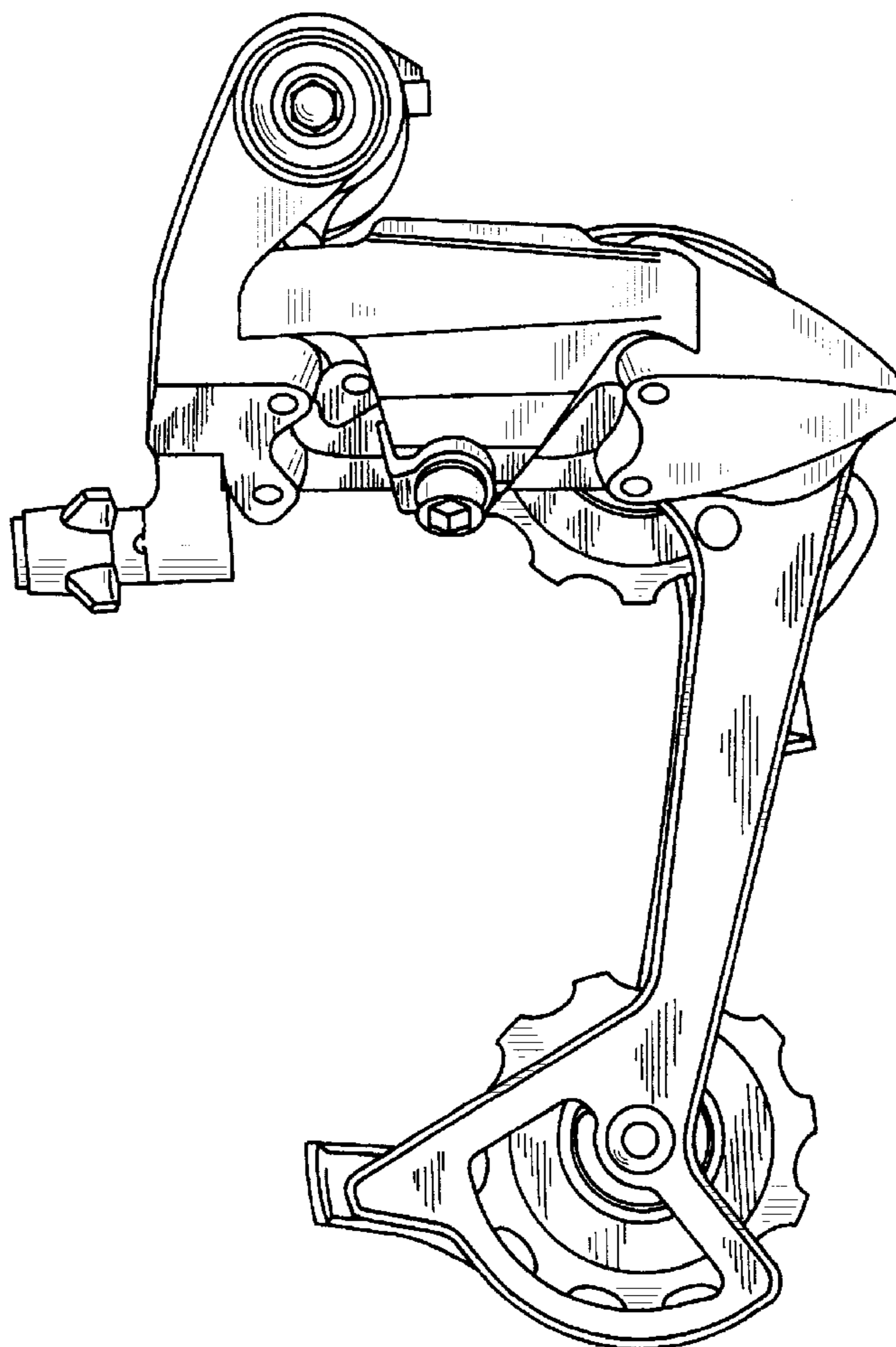
[57] **CLAIM**

The ornamental design for a bicycle derailleur, as shown and described.

DESCRIPTION

FIG. 1 is a first side elevational view of a bicycle derailleur showing my new design;
FIG. 2 is a front elevational view of the bicycle derailleur showing my new design;
FIG. 3 is a rear elevational view of the bicycle derailleur showing my new design;
FIG. 4 is a top elevational view of the bicycle derailleur showing my new design;
FIG. 5 is a second side view of the bicycle derailleur showing my new design; and,
FIG. 6 is a bottom view of the bicycle derailleur showing my new design.
The drawings show a bicycle derailleur in accordance with embodiments of my new design.

1 Claim, 6 Drawing Sheets



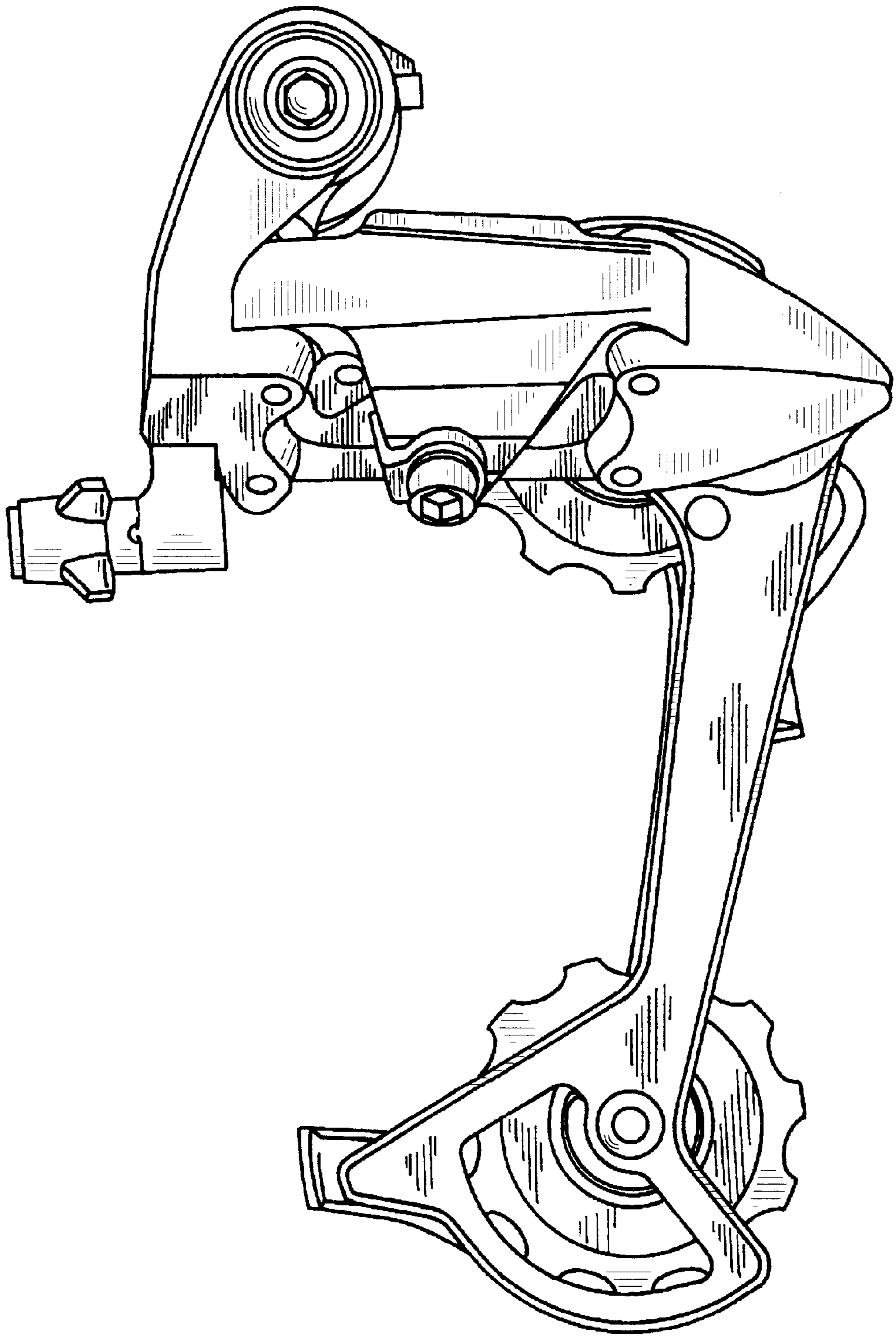


FIG. 1

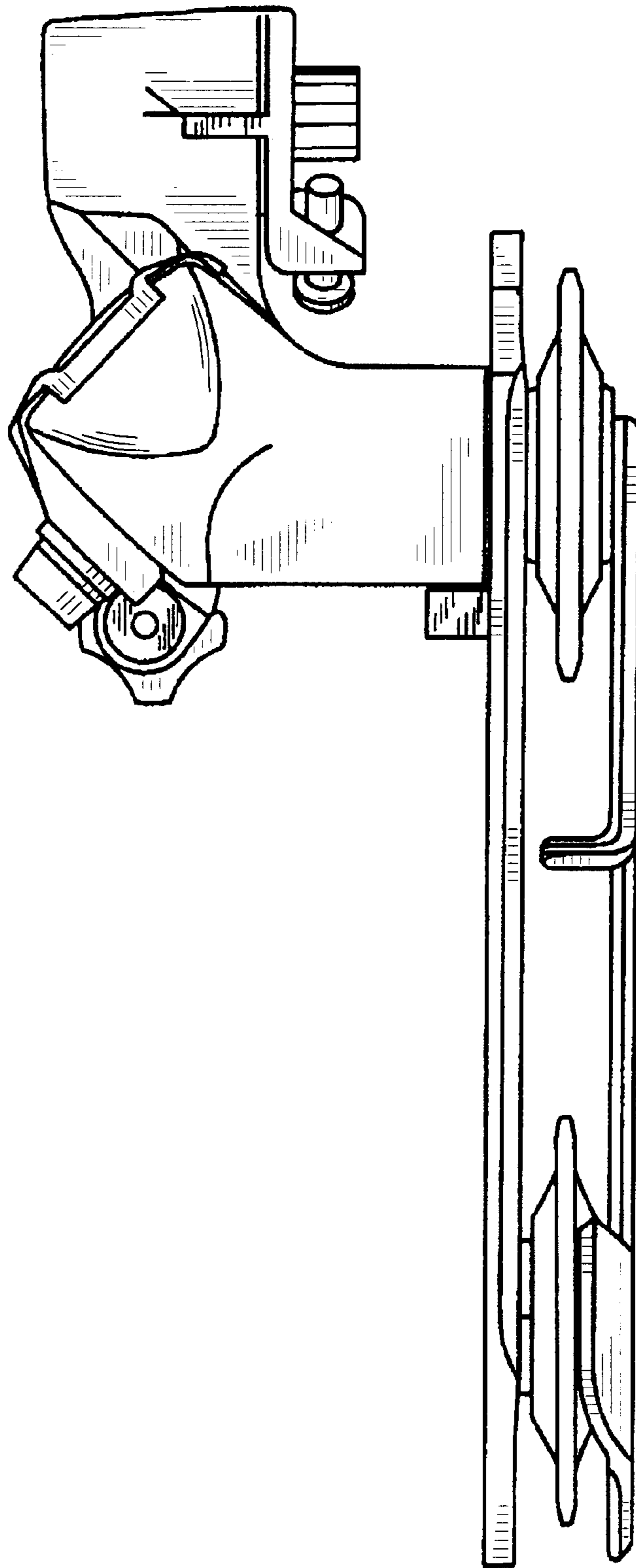


FIG. 2

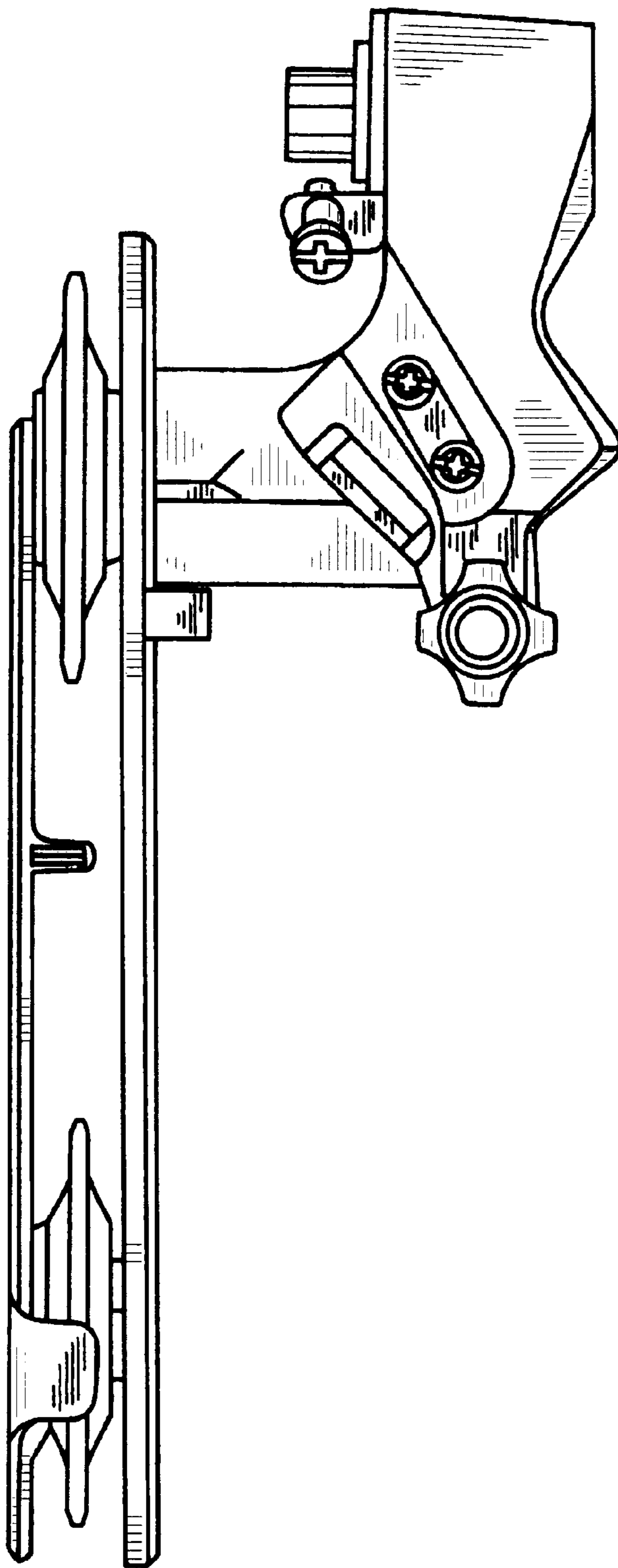


FIG. 3

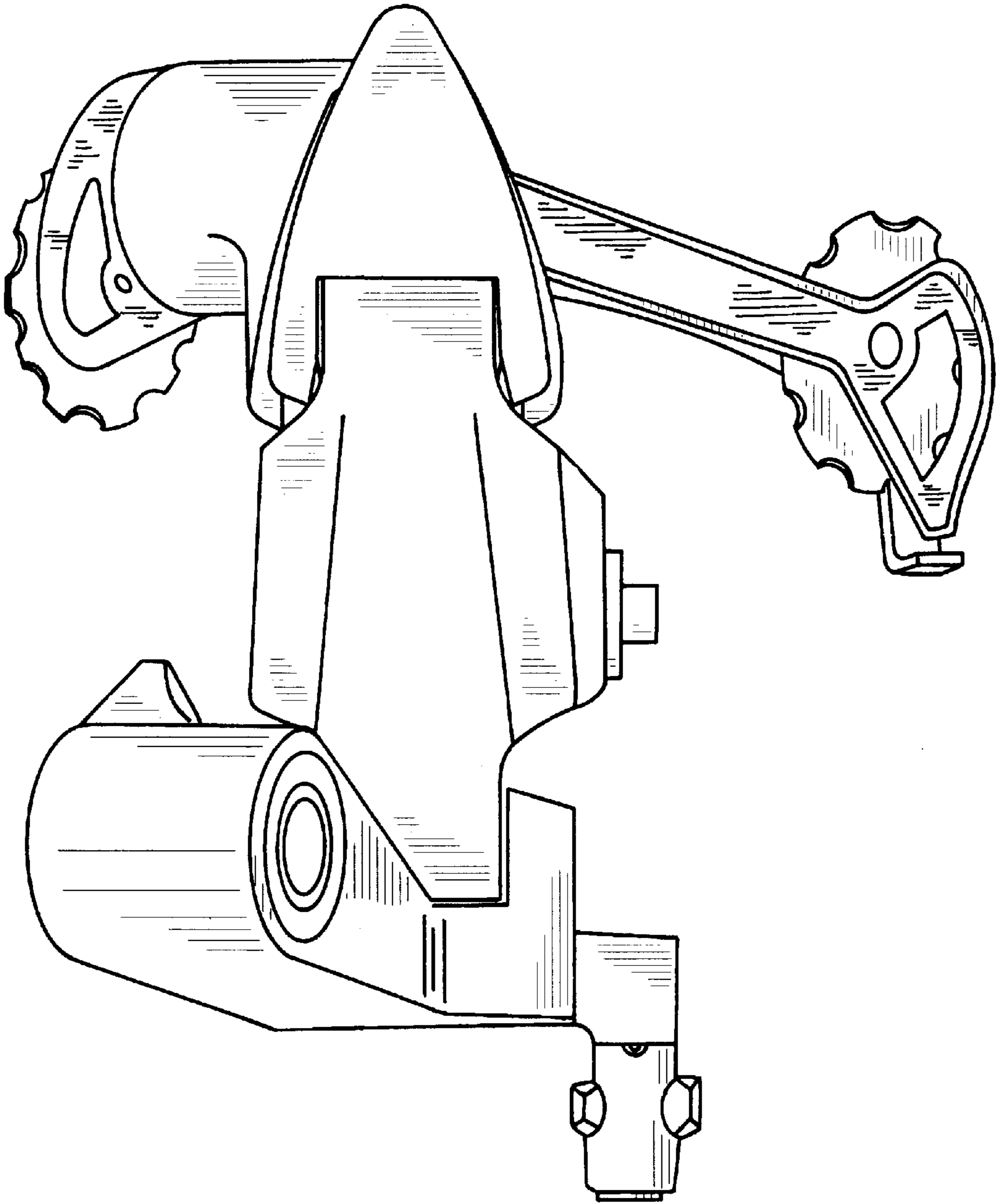


FIG. 4

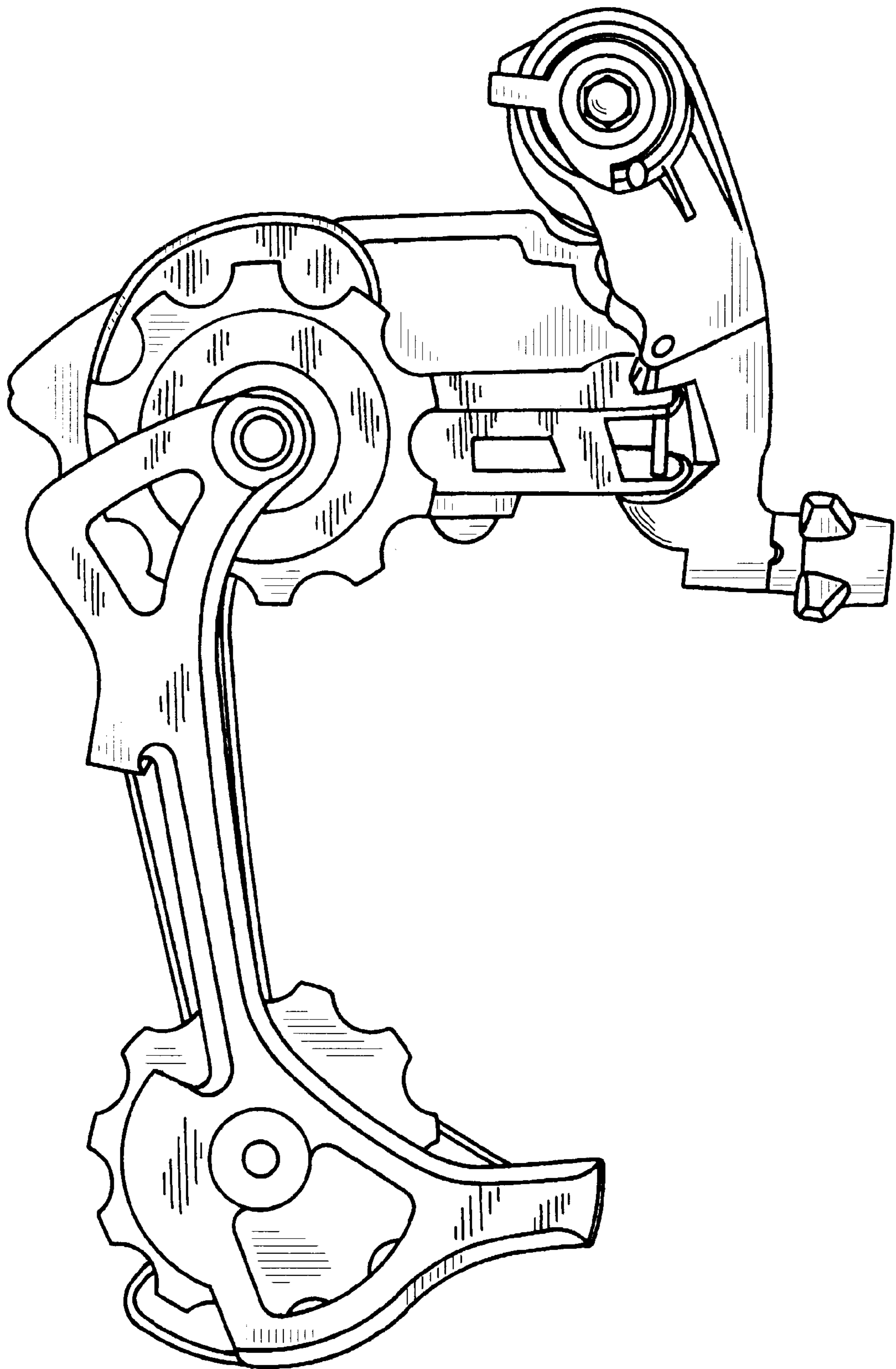


FIG. 5

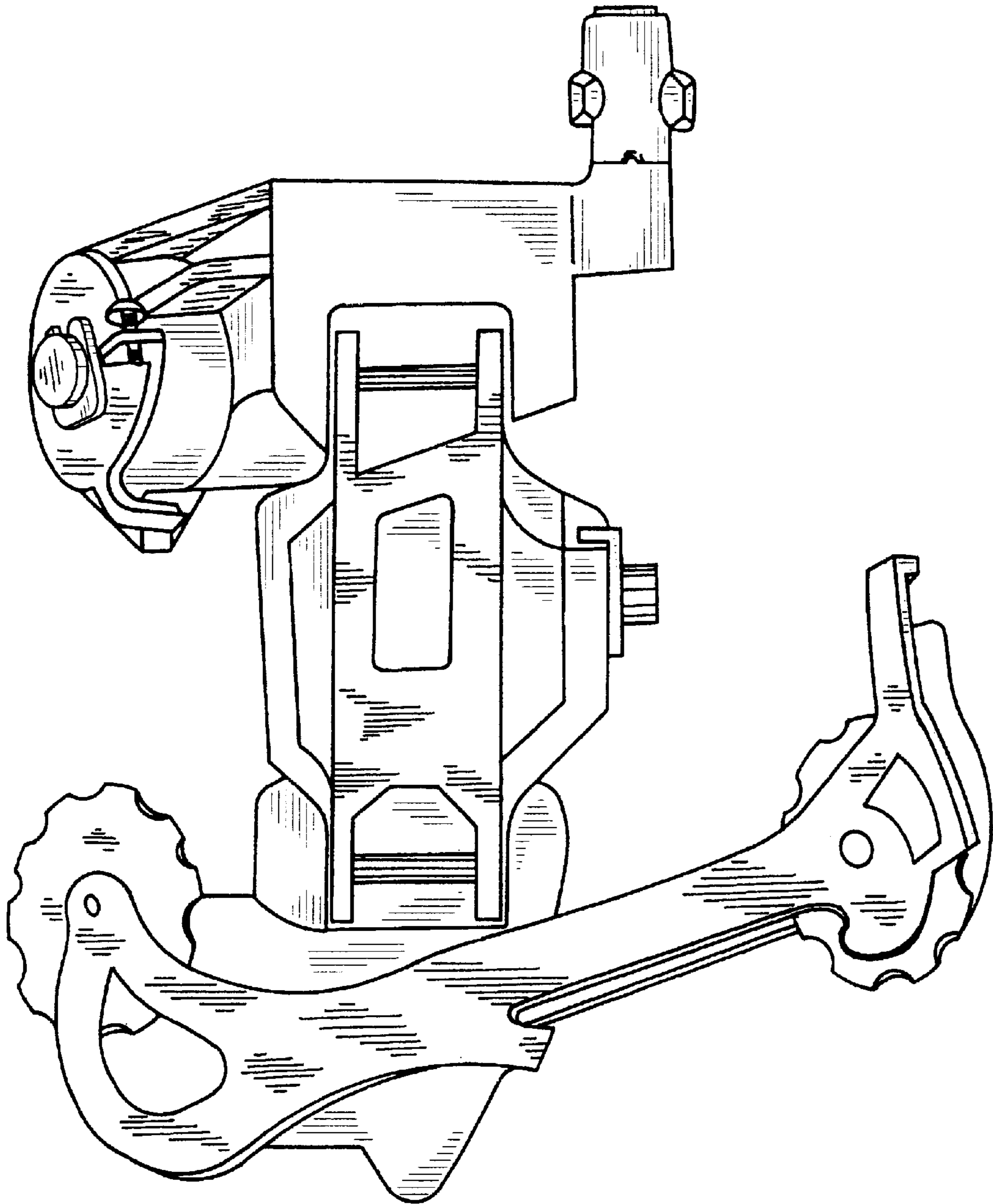


FIG. 6