



US00D424982S

**United States Patent** [19]  
**Deutschman**

[11] **Patent Number: Des. 424,982**

[45] **Date of Patent: \*\* May 16, 2000**

[54] **ALL TERRAIN VEHICLE BODY**  
[75] Inventor: **Paul Deutschman**, Quebec, Canada  
[73] Assignee: **Bombardier Inc.**, Montreal, Canada  
[\*\*] Term: **14 Years**

D. 298,113	10/1988	Tamura et al. ....	D12/107
D. 298,811	12/1988	Morita .....	D12/107
D. 299,324	1/1989	Oba et al. ....	D12/107
D. 305,999	2/1990	Ueda et al. ....	D12/107
D. 327,457	6/1992	Saito .....	D12/107
D. 330,694	11/1992	Kemuna et al. ....	D12/107
D. 405,029	2/1999	Deutschman .....	D12/107

[21] Appl. No.: **29/097,441**  
[22] Filed: **Dec. 7, 1998**

*Primary Examiner*—Melody N. Brown  
*Attorney, Agent, or Firm*—St. Onge Steward Johnston & Reens LLC

**Related U.S. Application Data**

[62] Division of application No. 29/064,911, Jan. 14, 1997, Pat. No. Des. 405,029.  
[51] **LOC (7) Cl.** ..... **12-11**  
[52] **U.S. Cl.** ..... **D12/107**  
[58] **Field of Search** ..... D12/107; 180/233, 180/311, 312, 325, 225, 229, 375

[57] **CLAIM**

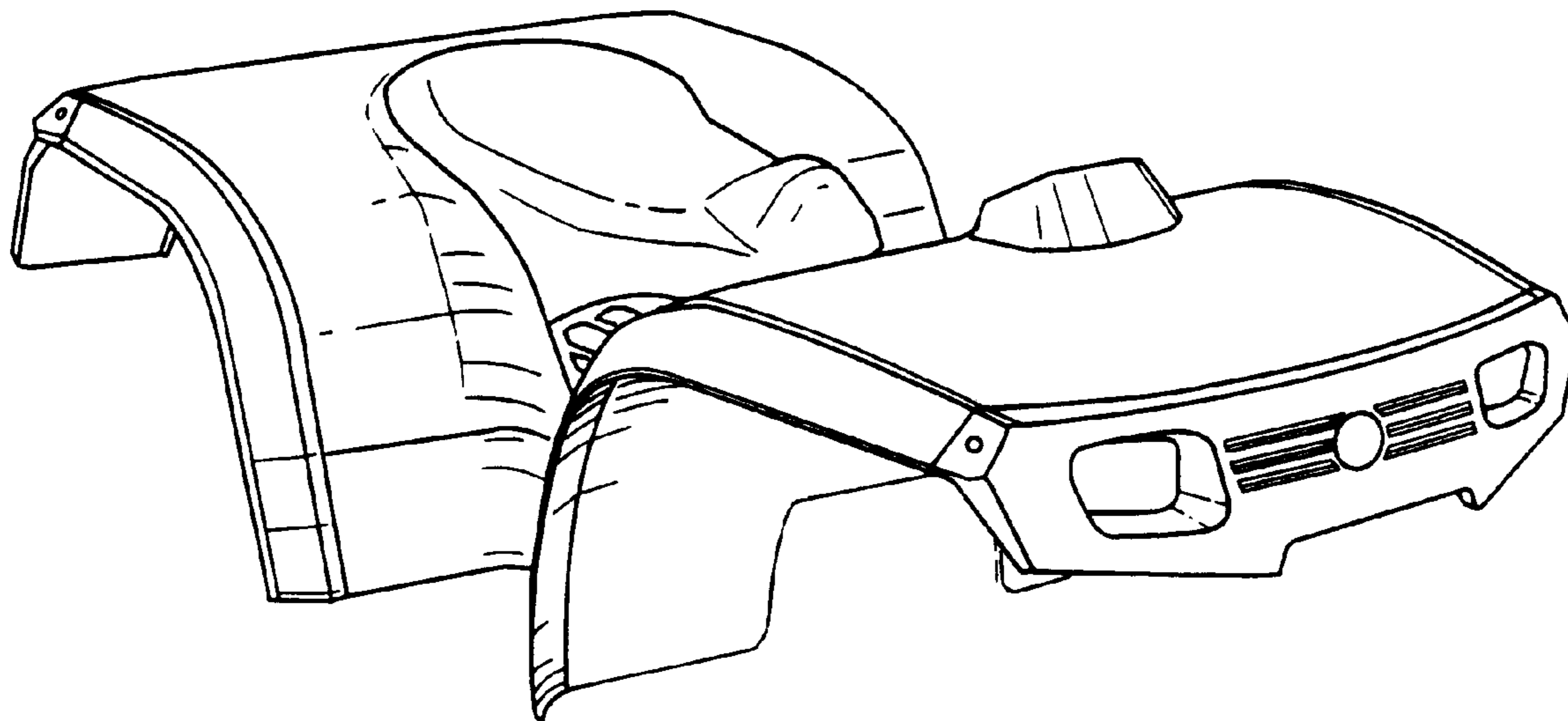
I claim the ornamental design of an all terrain vehicle body, as shown.

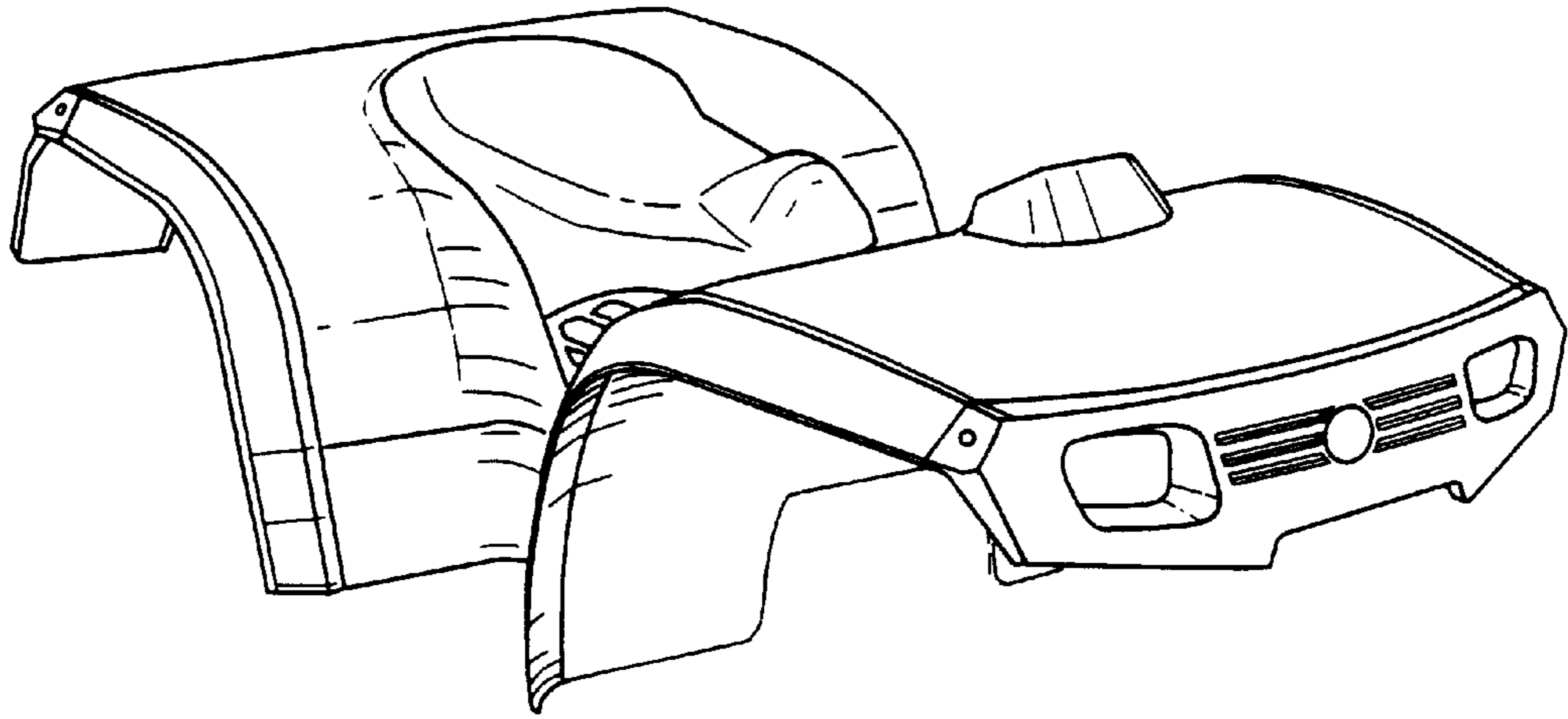
**DESCRIPTION**

FIG. 1 is a perspective view of an all terrain vehicle body; FIG. 2 is a right side elevational view, the left side elevational view being a mirror image thereof; FIG. 3 is a top plan view thereof; FIG. 4 is a front elevational view thereof; and, FIG. 5 is a rear elevational view thereof.

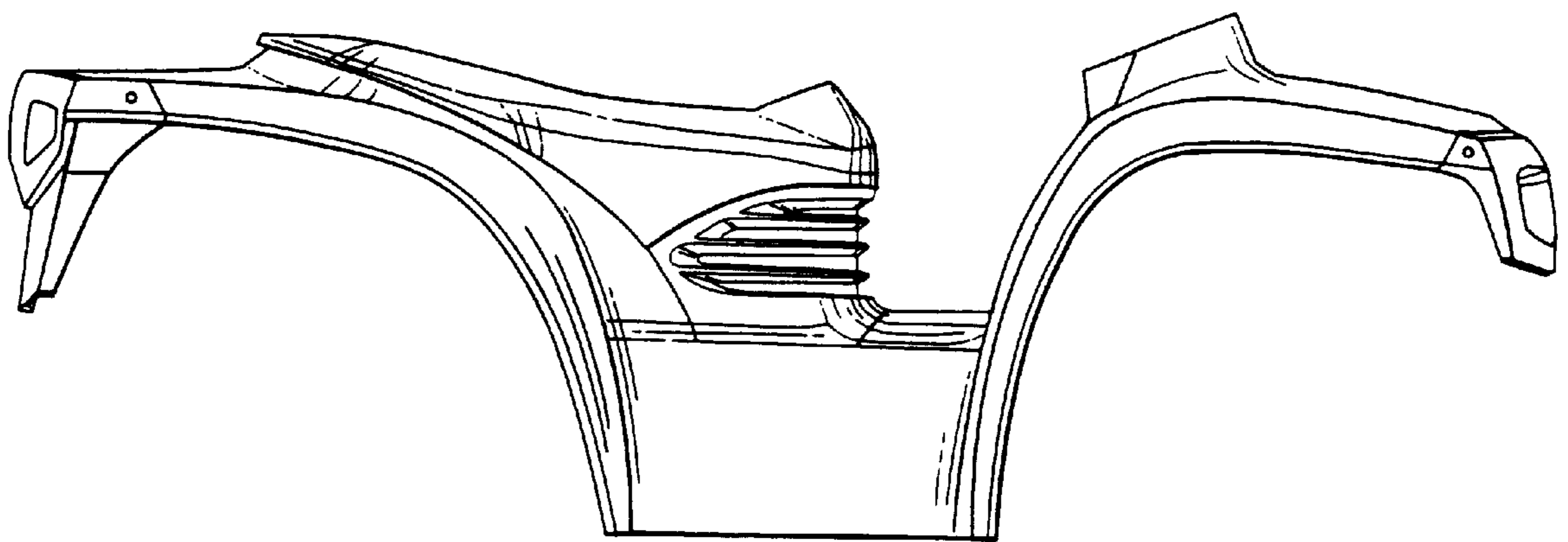
[56] **References Cited**  
U.S. PATENT DOCUMENTS  
D. 297,132 8/1988 Ryuzoje et al. .... D12/107

**1 Claim, 3 Drawing Sheets**

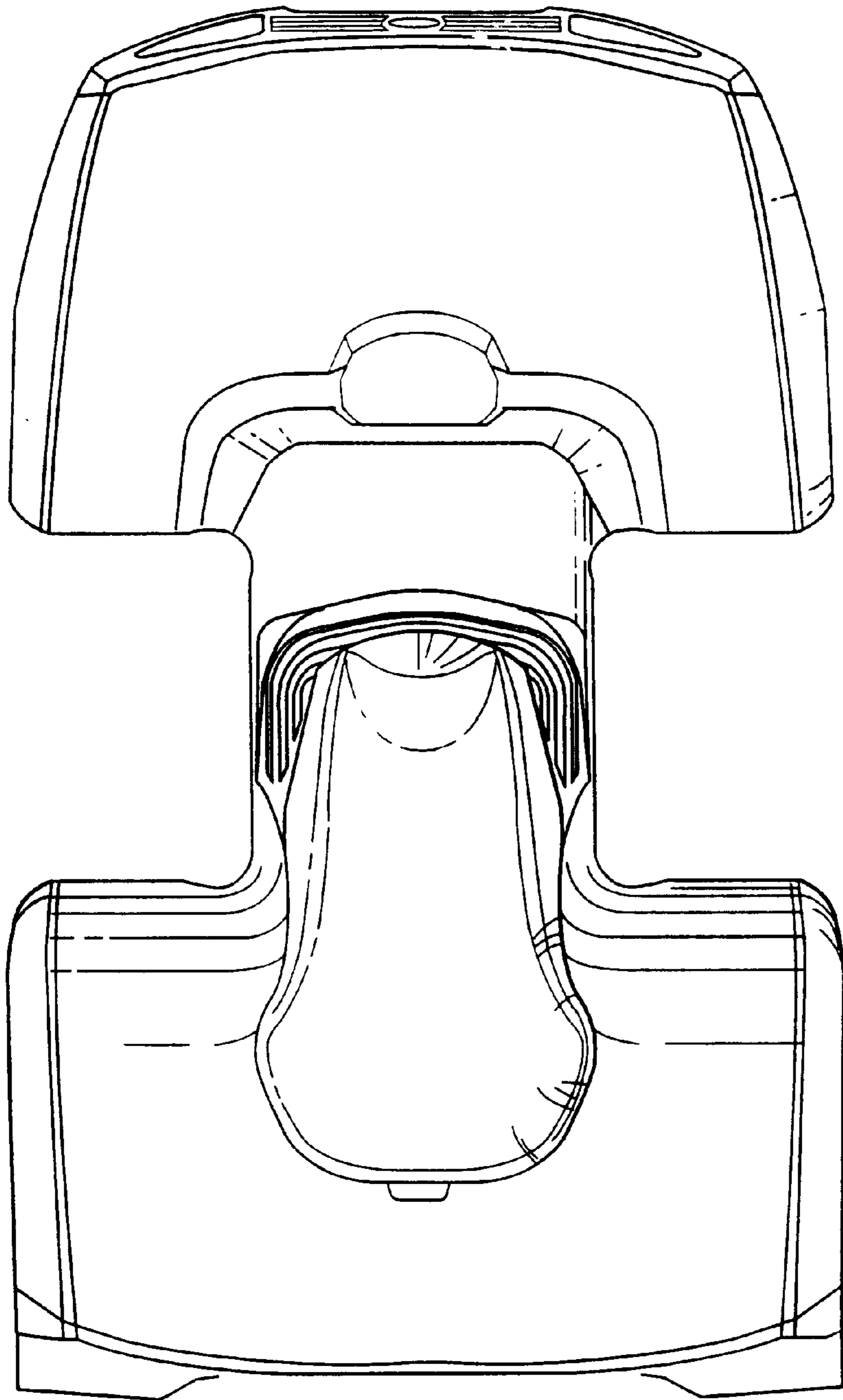




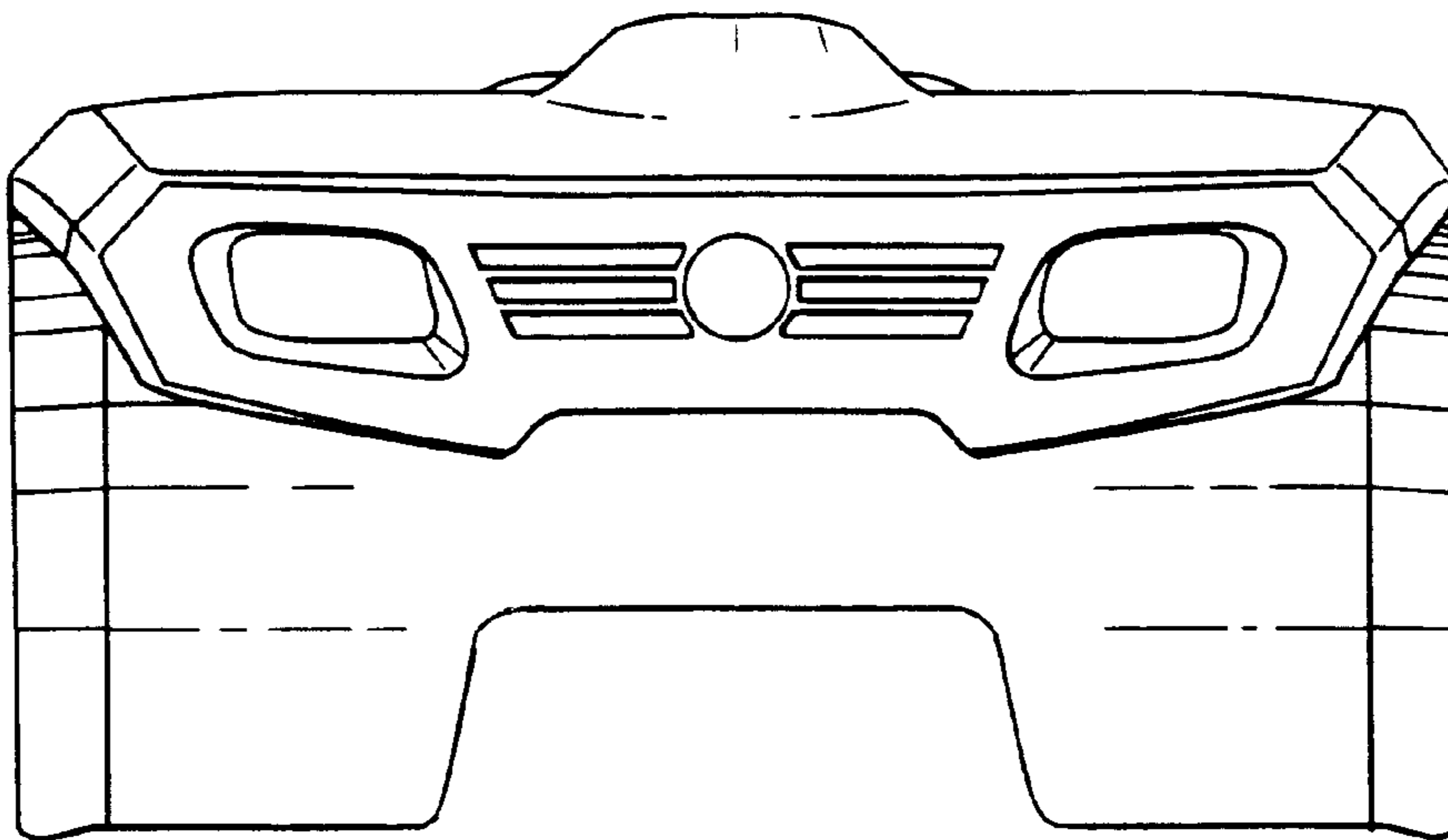
**Fig. 1**



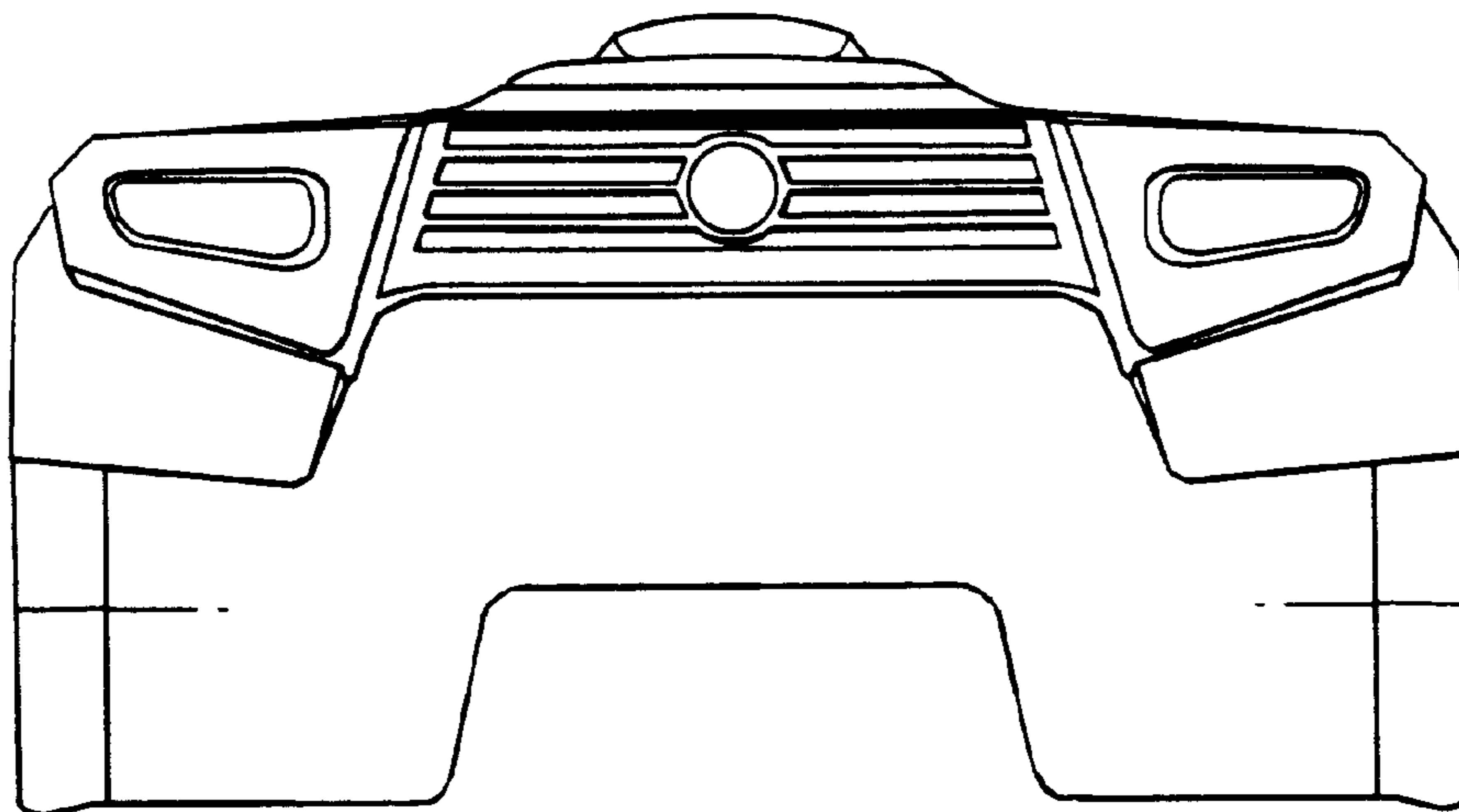
**Fig. 2**



**Fig. 3**



***Fig. 4***



***Fig. 5***