



US00D424963S

United States Patent [19]

[11] **Patent Number: Des. 424,963**

Pfeifer et al.

[45] **Date of Patent: ** May 16, 2000**

[54] **COVER FOR BATTERY ANTI-THEFT CONTROL MODULE**

Attorney, Agent, or Firm—Quarles & Brady LLP

[75] Inventors: **Guy L. Pfeifer**, Milwaukee, Wis.; **Richard T. Johnson**, Arvada, Colo.; **William J. Wruck**, Whitefish Bay, Wis.; **Majid Taghikhani**, Franklin, Wis.; **Edward N. Mrotek**, Grafton, Wis.; **Lisa M. Franklin**, Racine, Wis.; **Stephen J. Kepler**, Muskego, Wis.

[57] **CLAIM**

The ornamental design for a cover for battery anti-theft control module, as shown and described.

[73] Assignee: **Johnson Controls Technology Company**, Plymouth, Mich.

DESCRIPTION

[**] Term: **14 Years**

FIG. 1 is a left, top, front perspective view of a cover for battery anti-theft control module embodying our new design;

[21] Appl. No.: **29/106,623**

FIG. 2 is a top plan view thereof;

[22] Filed: **Jun. 17, 1999**

FIG. 3 is a front elevational view thereof, the rear elevational view being a mirror image of the front elevational view shown;

[51] **LOC (7) Cl. 10-05**

FIG. 4 is a left side elevational view thereof;

[52] **U.S. Cl. D10/121**

FIG. 5 is a right side elevational view thereof;

[58] **Field of Search D10/104, 106, D10/121; 340/815.01, 815.02, 815.03, 815.06, 815.14, 815.15, 815.16, 815.18, 585, 586**

FIG. 6 is a left, top, front perspective view of a second embodiment;

[56] **References Cited**

FIG. 7 is a top plan view thereof;

U.S. PATENT DOCUMENTS

FIG. 8 is a front elevational view thereof, the rear elevational view being a mirror image of the front elevational view shown;

D. 313,569 1/1991 Allard et al. D10/121

FIG. 9 is a left side elevational view thereof; and,

FIG. 10 is a right side elevational view thereof.

The broken line representations of caps in FIGS. 1–10, of a slot in FIGS. 1, 2, 6, and 7, of edges in FIGS. 1–6 and 8–10, and of a battery in FIGS. 1 and 6, are for the purposes of illustration only, and form no part of the claimed design.

*Primary Examiner—*Marcus A. Jackson

1 Claim, 4 Drawing Sheets

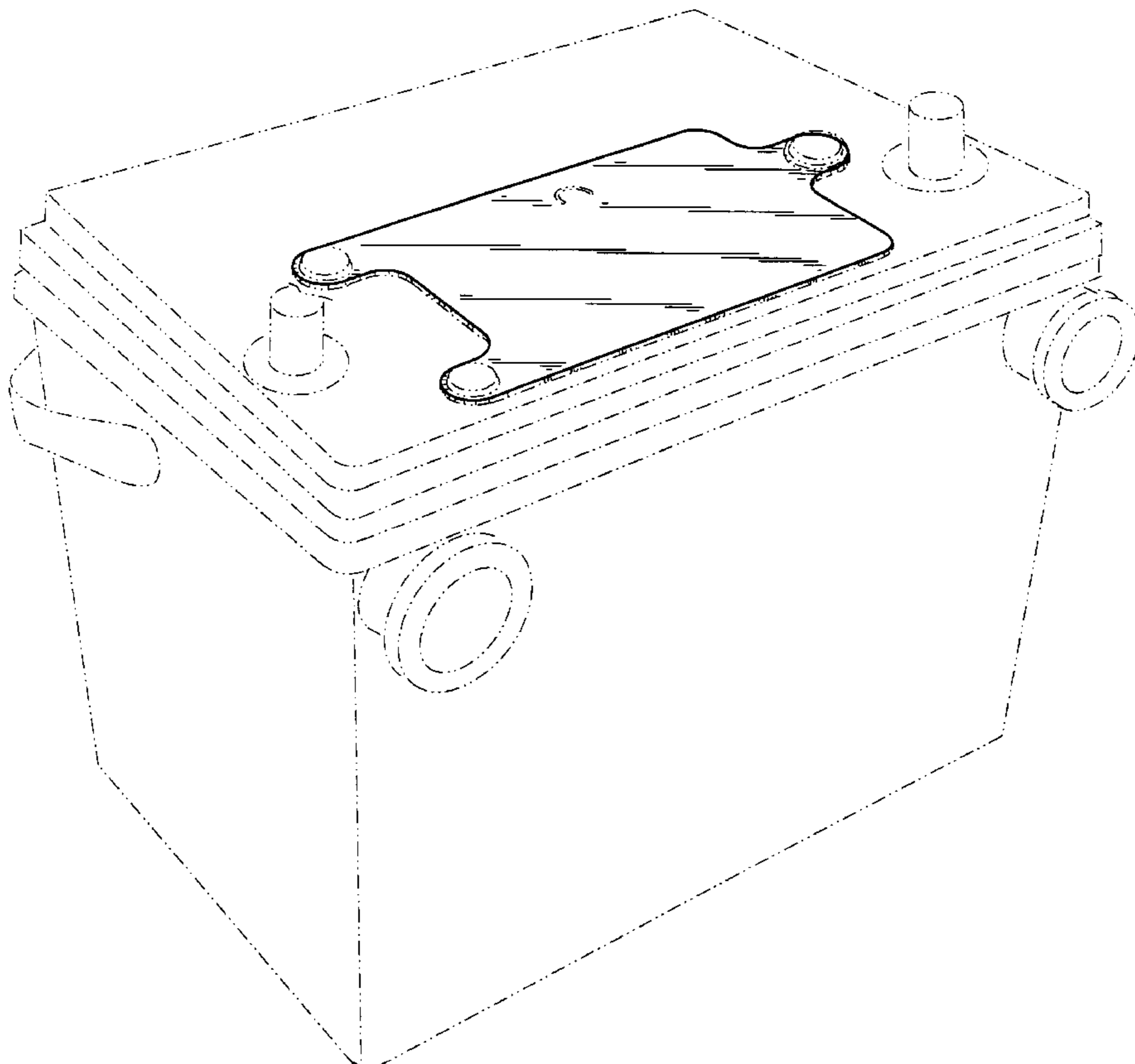


FIG. 1

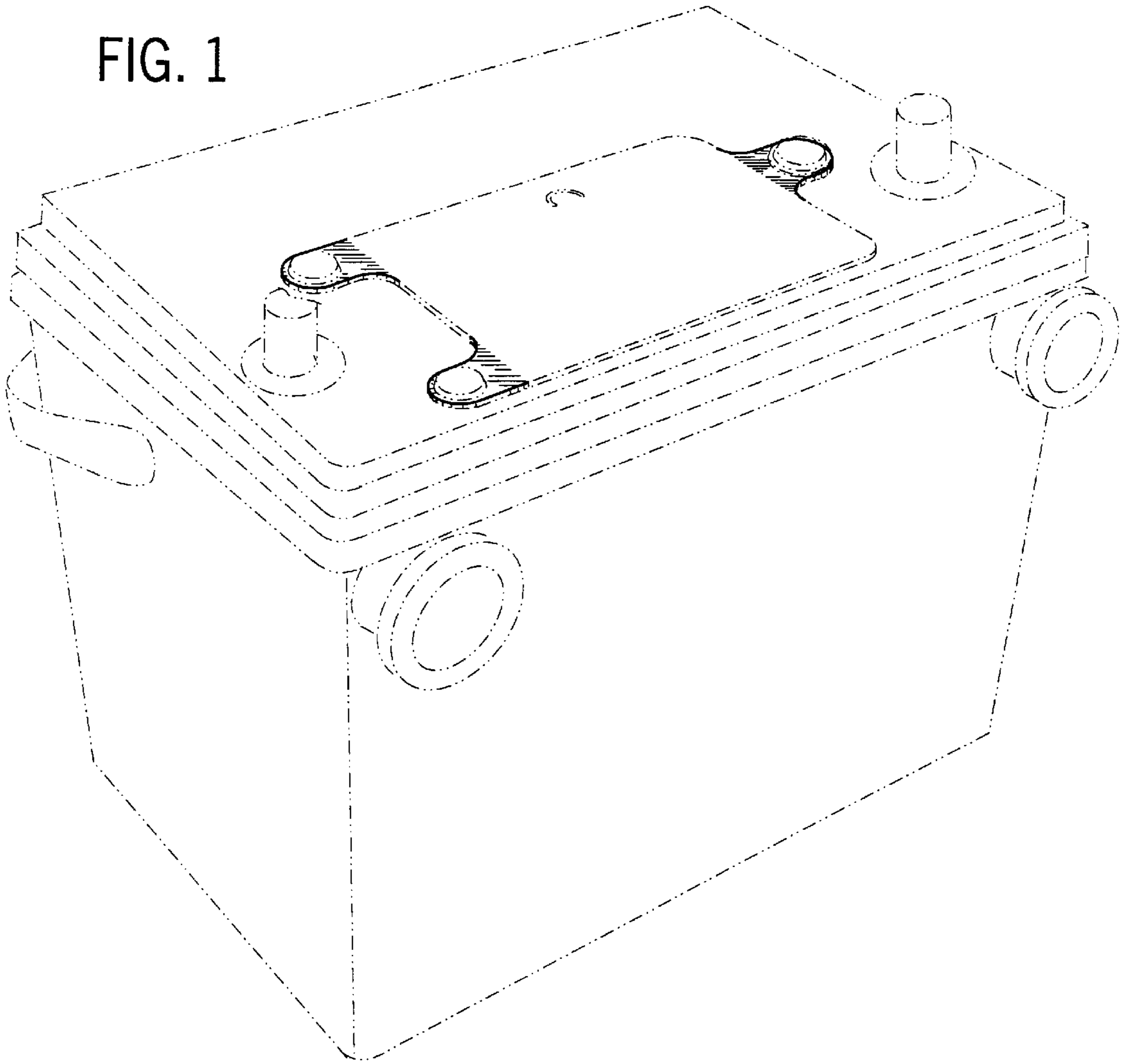


FIG. 2

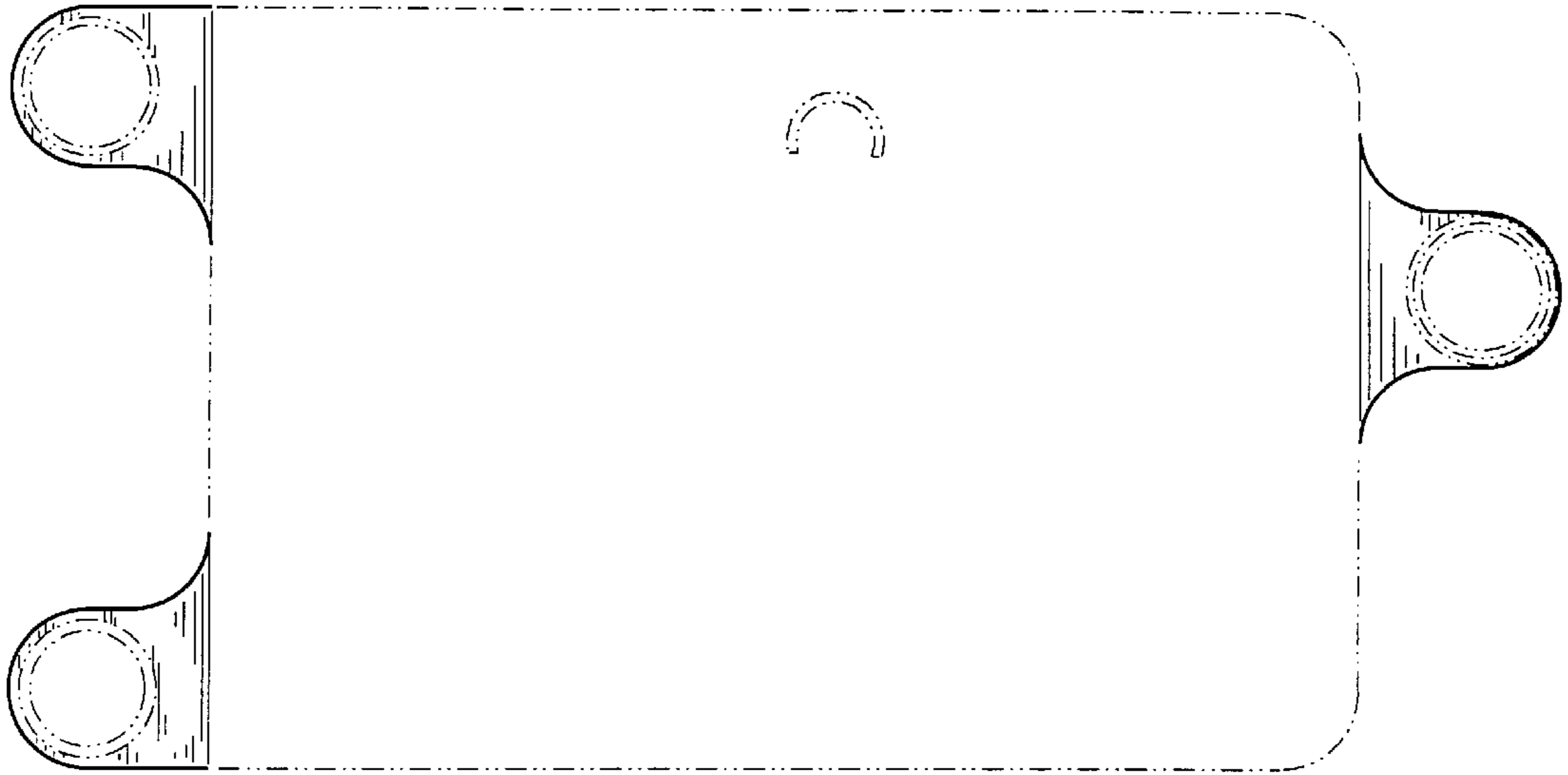


FIG. 3

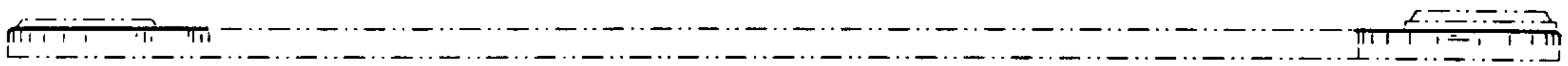


FIG. 4

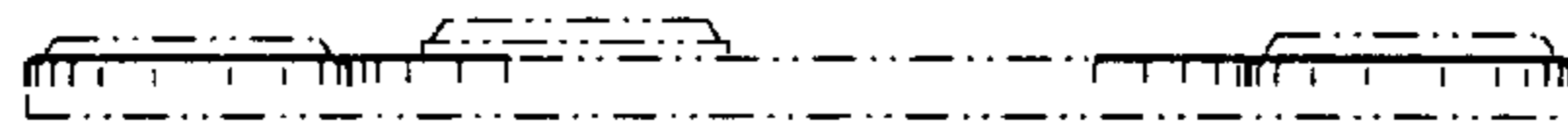


FIG. 5

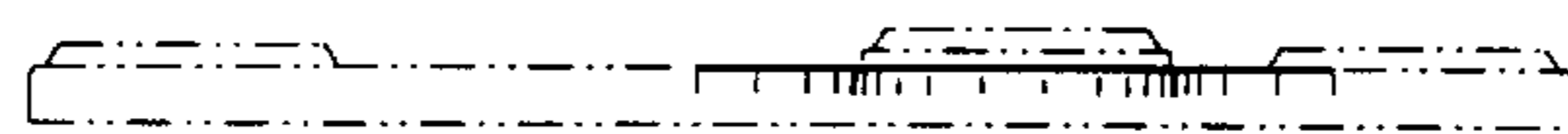


FIG. 6

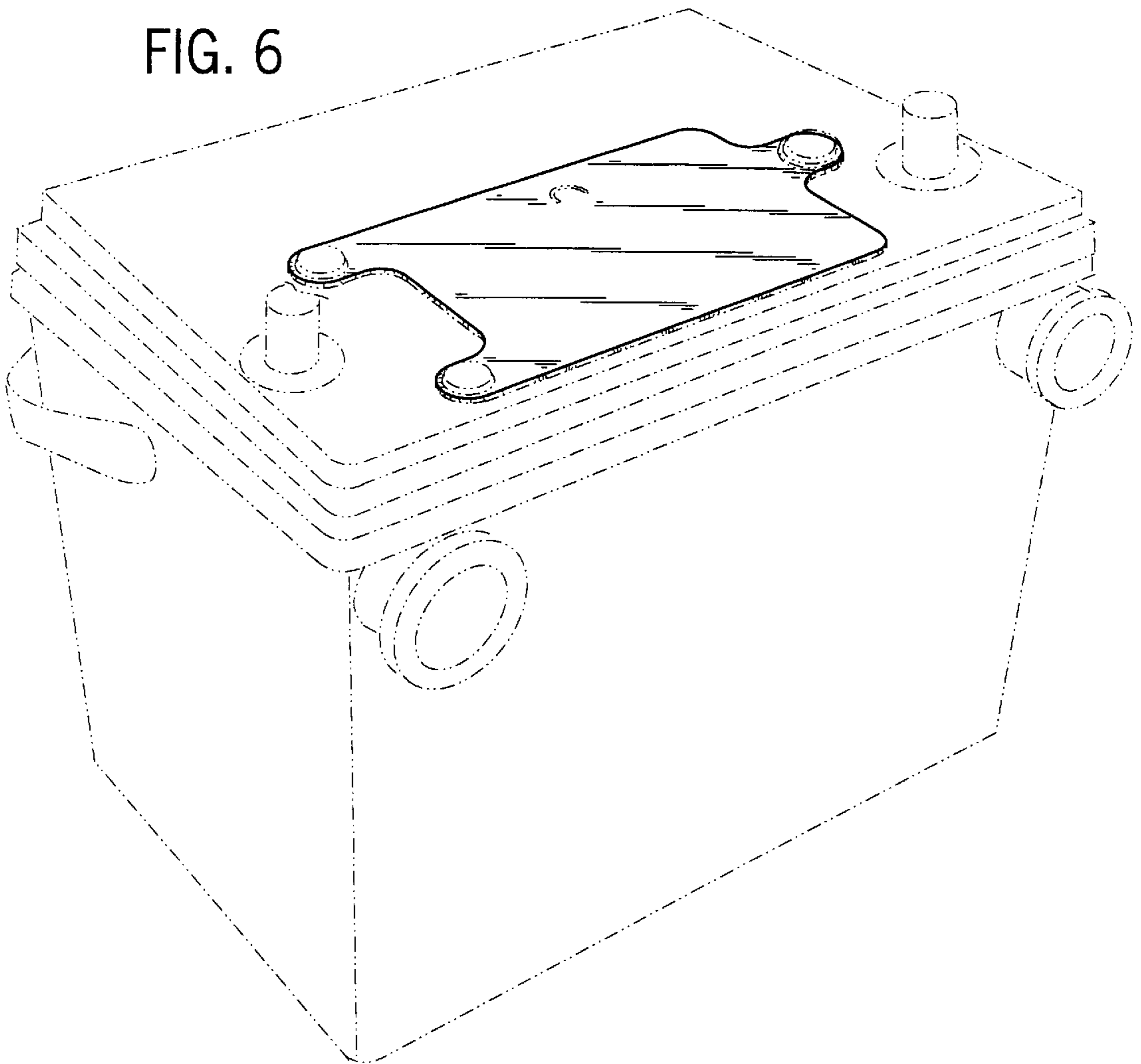


FIG. 7

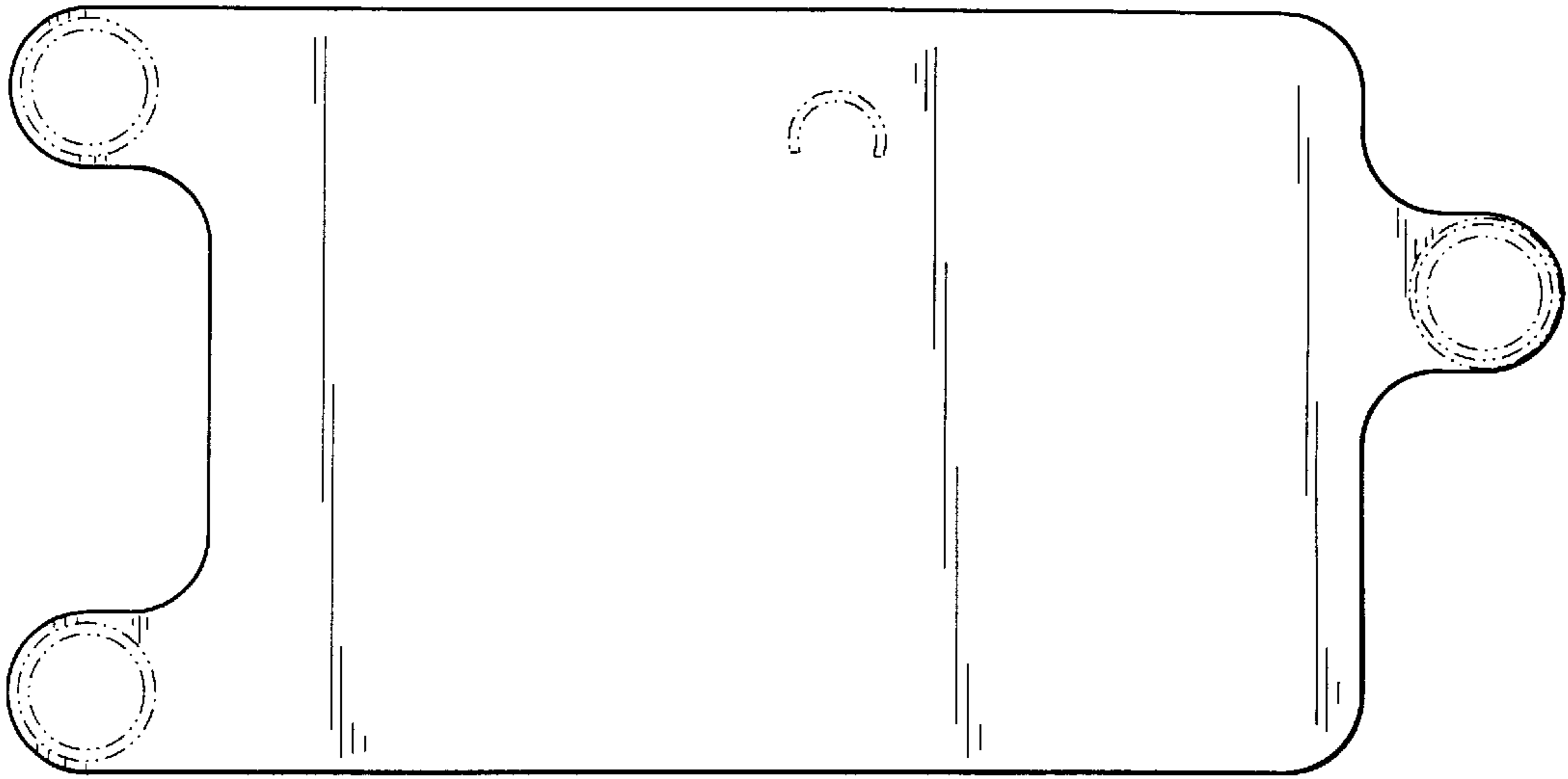


FIG. 8

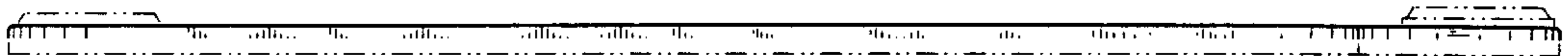


FIG. 9

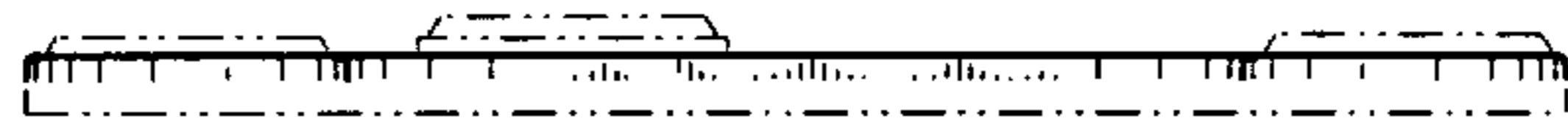


FIG. 10

