



US00D424962S

United States Patent [19]

[11] **Patent Number: Des. 424,962**

Dawn

[45] **Date of Patent: ** May 16, 2000**

[54] **TRANSPONDER SUPPORT HOUSING**

Primary Examiner—Marcus A. Jackson
Attorney, Agent, or Firm—Curtis L. Harrington

[76] **Inventor: Andrew Richard Dawn, 27832 Holly Oak La., Mission Viejo, Calif. 92691**

[57] **CLAIM**

[**] **Term: 14 Years**

The ornamental design for a transponder support housing, as shown and described.

[21] **Appl. No.: 29/106,342**

DESCRIPTION

[22] **Filed: Jun. 11, 1999**

FIG. 1 is a side perspective view of the transponder support housing, showing my new design with suction cup members shown in phantom and forming no part of the design hereof; FIG. 2 is a side sectional view illustrating details not viewable in a side view; top view thereof, it being understood that the bottom and side views are identical thereto; FIG. 3 is a left side view, a right side view being symmetrical to the left side view; FIG. 4 is a top view; FIG. 5 is a bottom view; FIG. 6 is a rear view; and, FIG. 7 is a front view.

[51] **LOC (7) Cl. 10-05**

[52] **U.S. Cl. D10/121**

[58] **Field of Search** D10/104, 121; D12/191; D8/354, 380; 248/201, 203, 208, 298, 309, 310, 316 R, 316 A, 316 C, 226 R, 226.1, 226.3

[56] **References Cited**

U.S. PATENT DOCUMENTS

- D. 250,099 10/1978 Willis D10/121
- D. 313,365 1/1991 Reber, II et al. D10/121

1 Claim, 3 Drawing Sheets

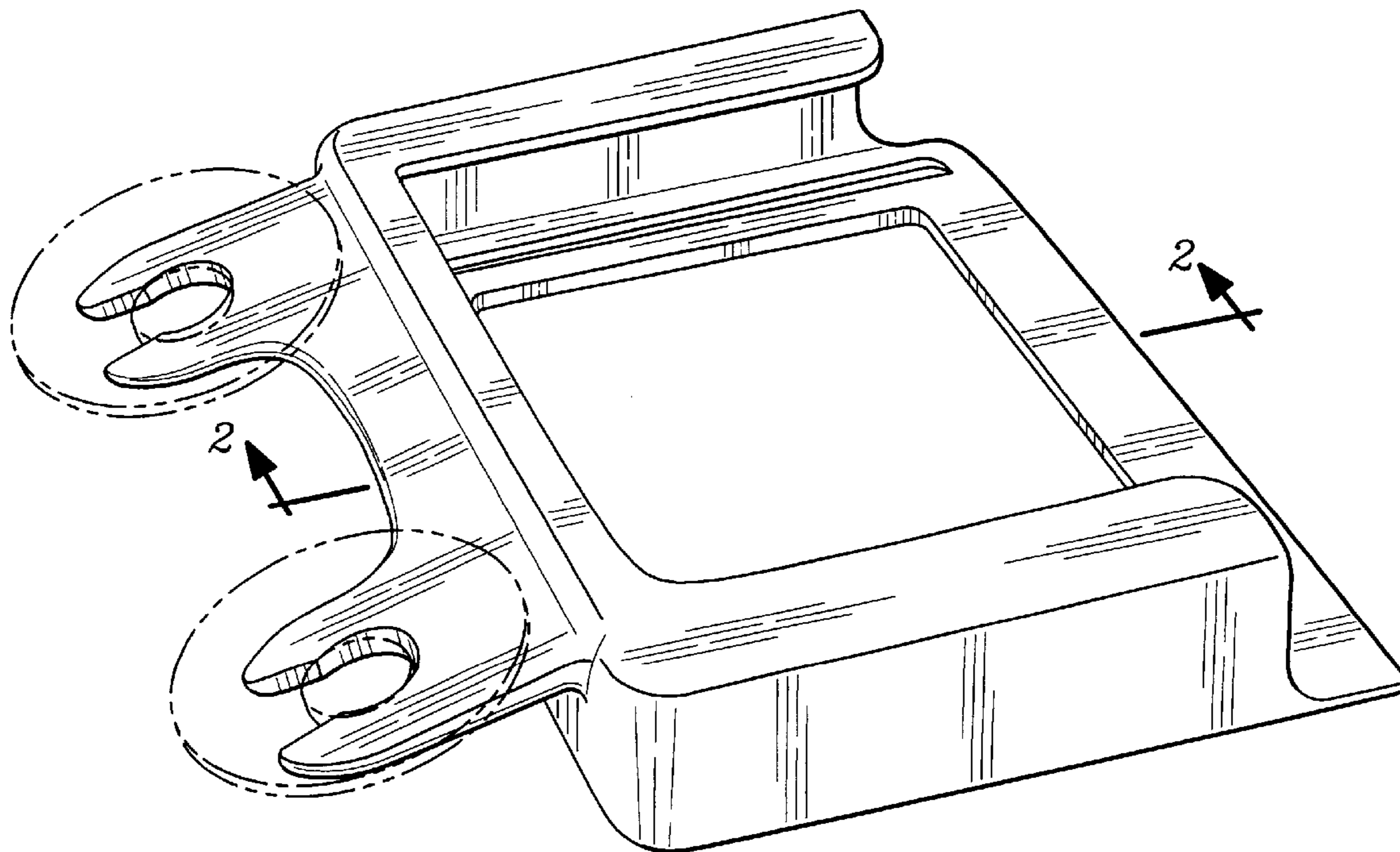


Fig. 1

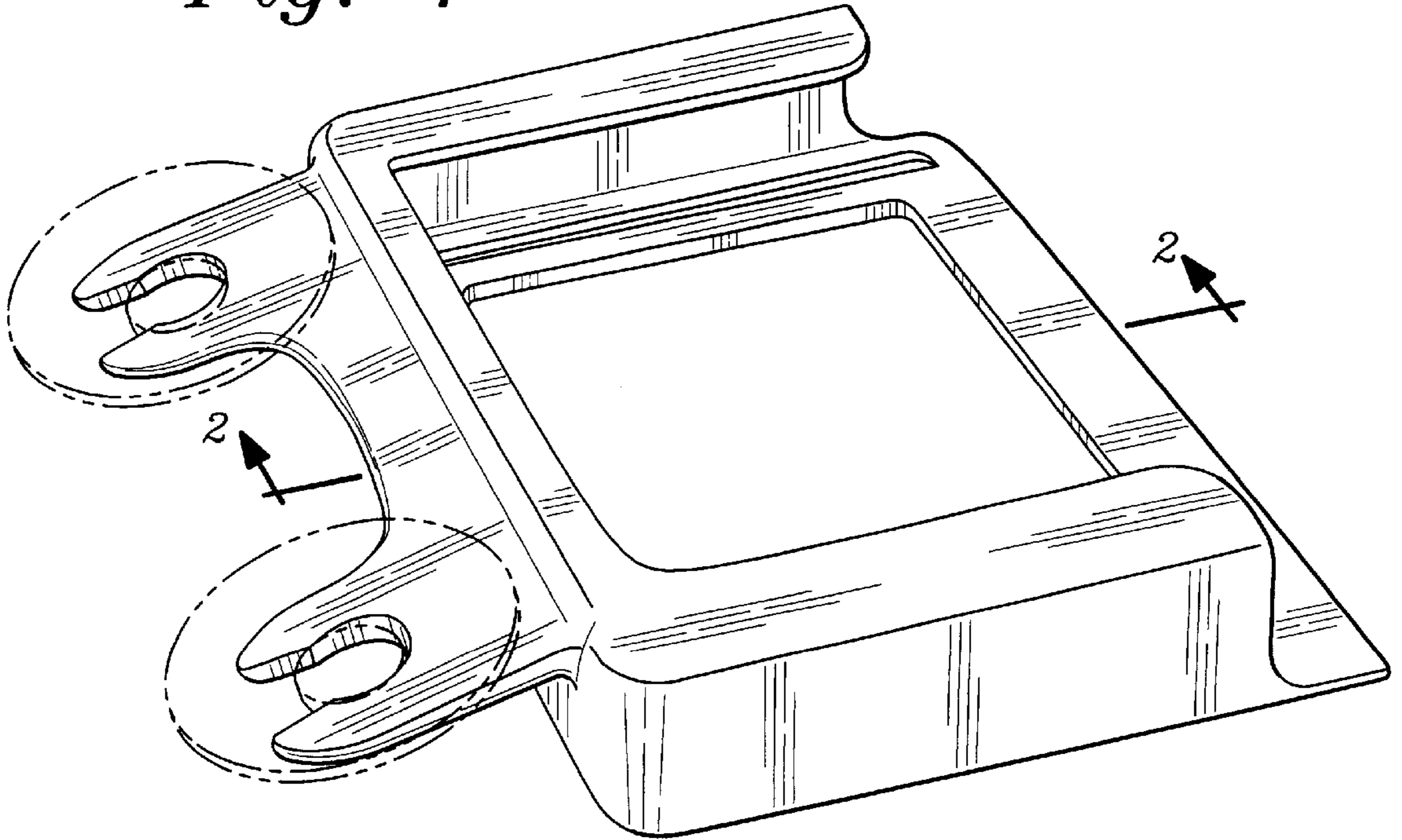


Fig. 2

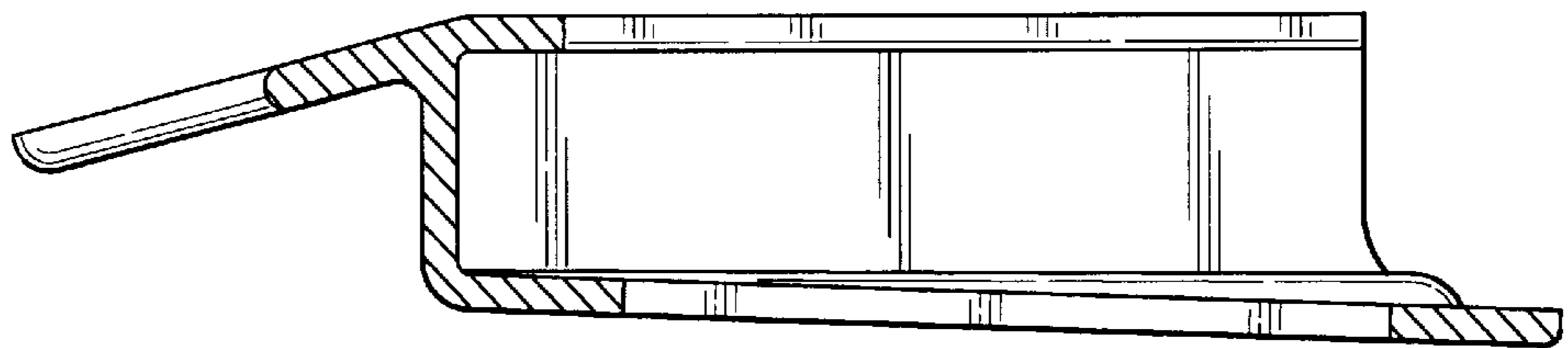


Fig. 3

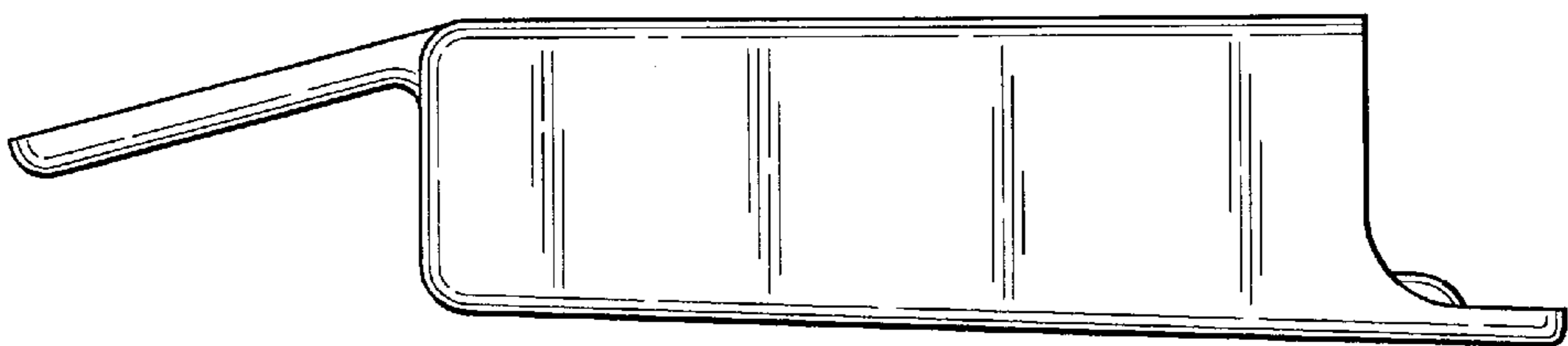


Fig. 4

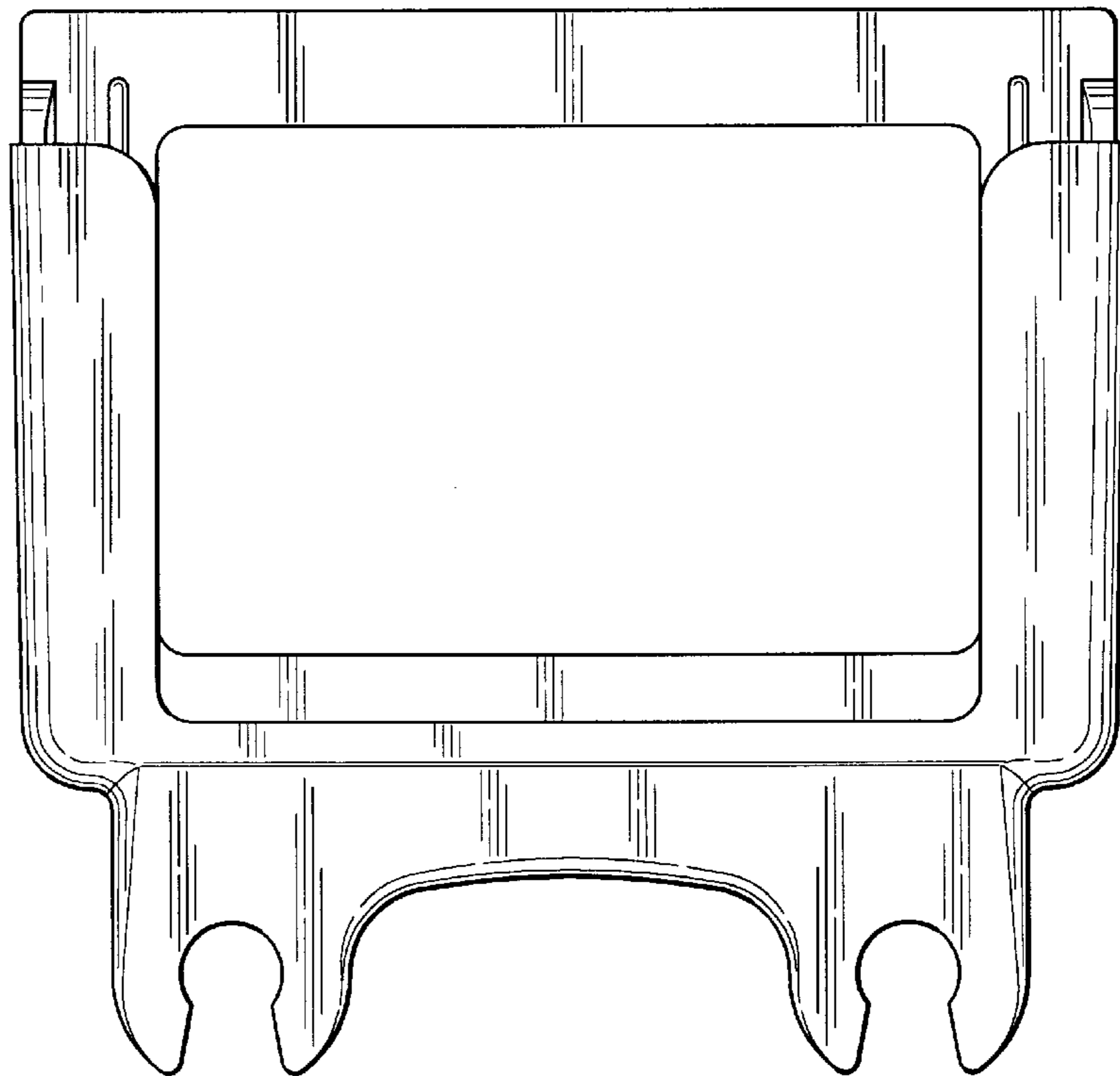


Fig. 5

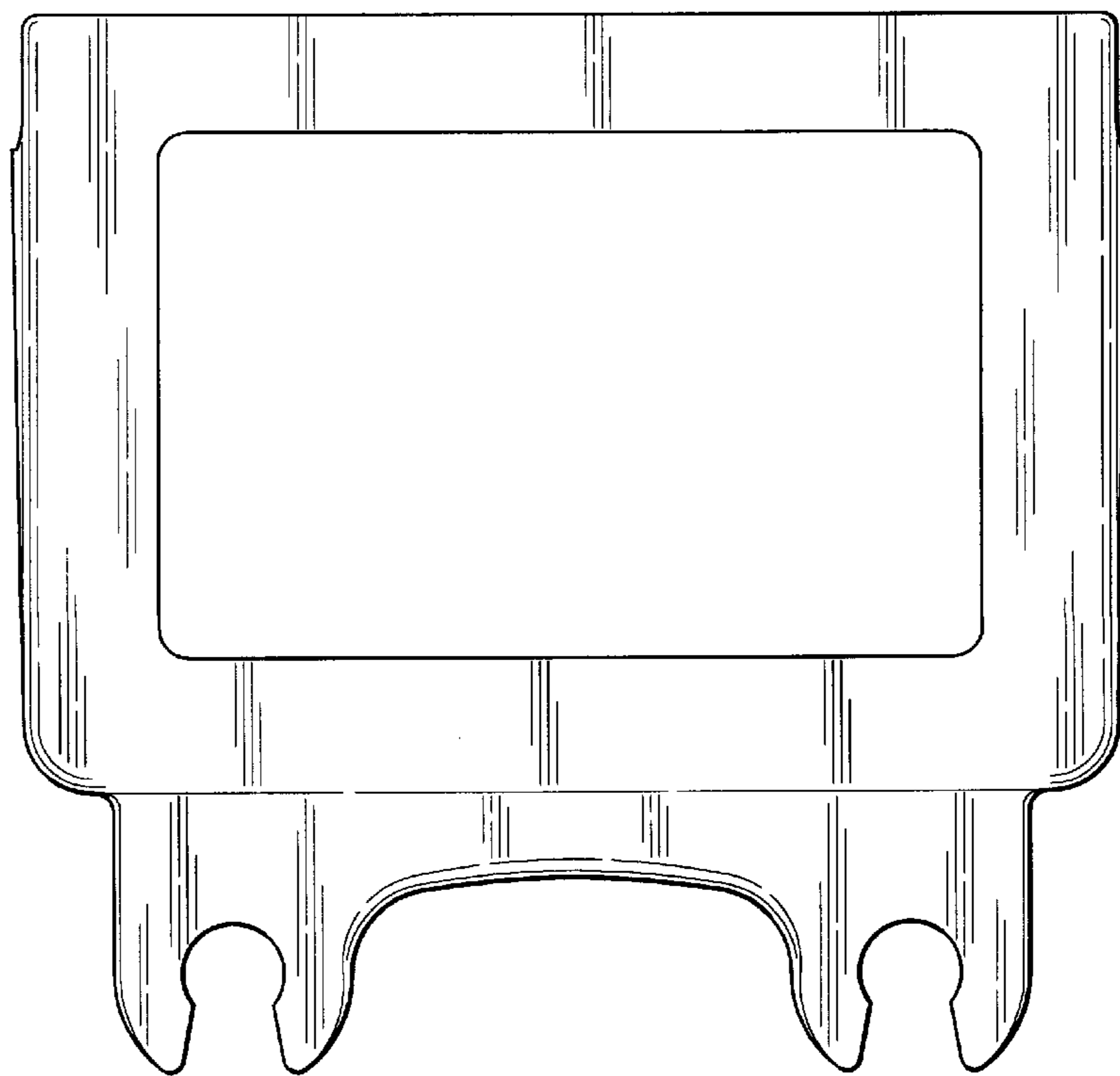


Fig. 6

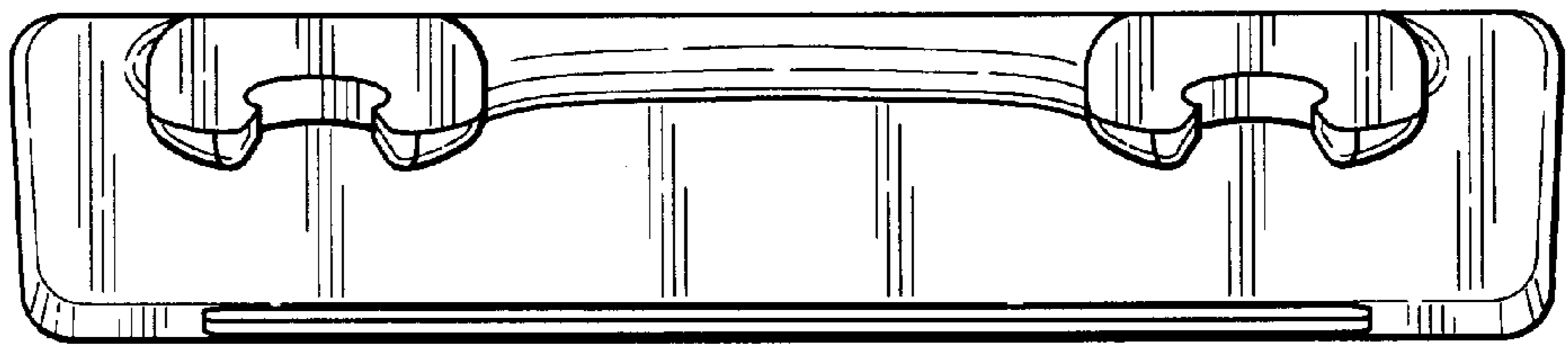


Fig. 7

