



US00D424955S

United States Patent [19]
Hizawa et al.

[11] **Patent Number: Des. 424,955**

[45] **Date of Patent: ** May 16, 2000**

[54] **TAPE MEASURE**

[75] Inventors: **Satoshi Hizawa**, Yokohama; **Yoshihiro Komai**, Tama, both of Japan

[73] Assignee: **Tajima Tool Corporation**, Japan

[**] Term: **14 Years**

[21] Appl. No.: **29/105,266**

[22] Filed: **May 20, 1999**

[30] **Foreign Application Priority Data**

Nov. 26, 1998 [JP] Japan 10-33656

[51] **LOC (7) Cl.** **10-04**

[52] **U.S. Cl.** **D10/72**

[58] **Field of Search** D10/72; 33/755-770

[56] **References Cited**

U.S. PATENT DOCUMENTS

D. 375,269 11/1996 Wertheim et al. D10/72

D. 399,149 10/1998 Bennett D10/72
D. 414,123 9/1999 Liu D10/72
5,746,004 5/1998 Wertheim 33/768

Primary Examiner—Antoine Duval Davis
Attorney, Agent, or Firm—Parkhurst & Wendel, L.L.P.

[57] **CLAIM**

The ornamental design for a tape measure, as shown.

DESCRIPTION

FIG. 1 is a front view of a tape measure showing our new design;
FIG. 2 is a right side view thereof;
FIG. 3 is a left side view thereof;
FIG. 4 is a top plan view thereof;
FIG. 5 is a rear view thereof; and,
FIG. 6 is a bottom view thereof.

1 Claim, 2 Drawing Sheets

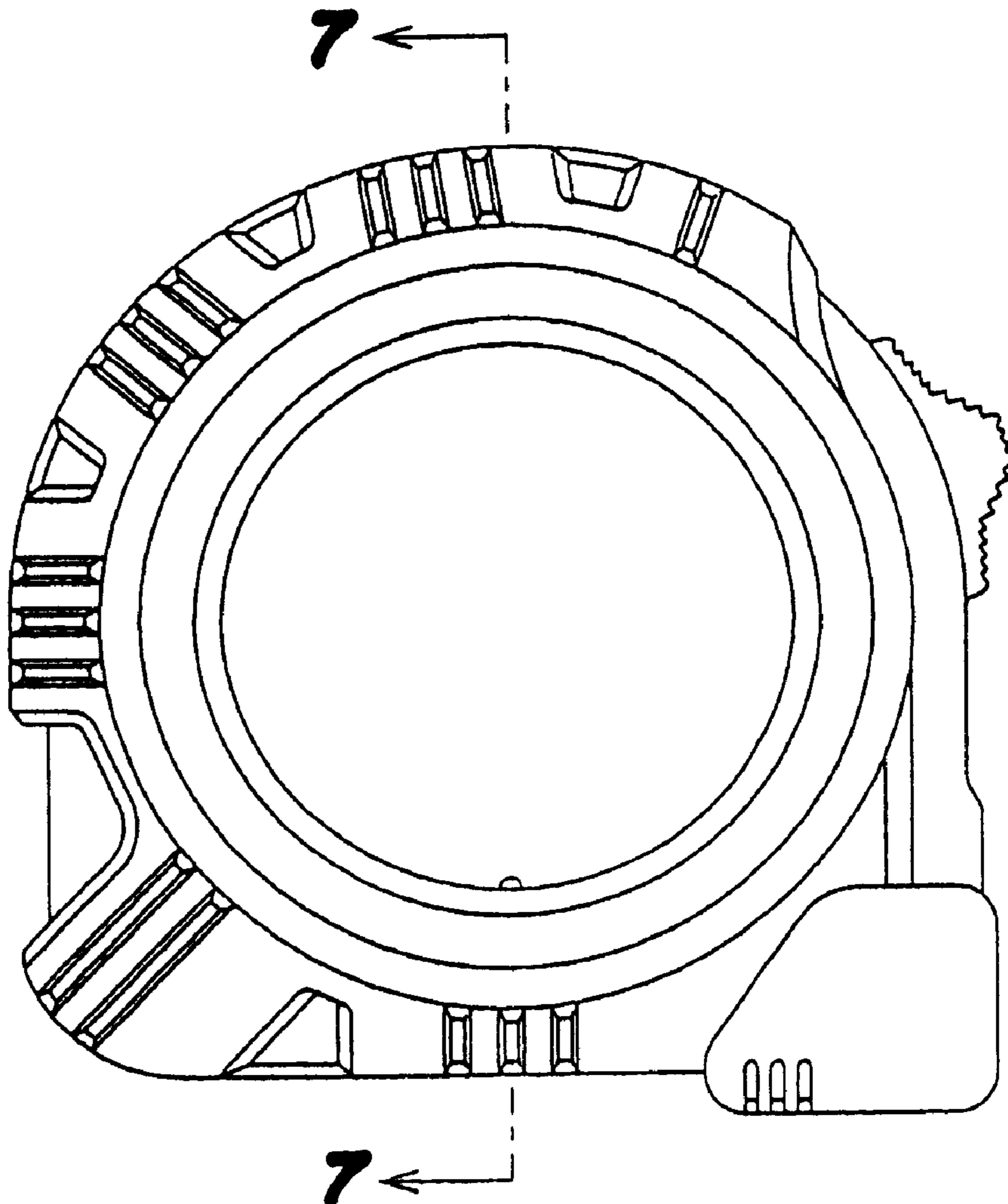


FIG. 1

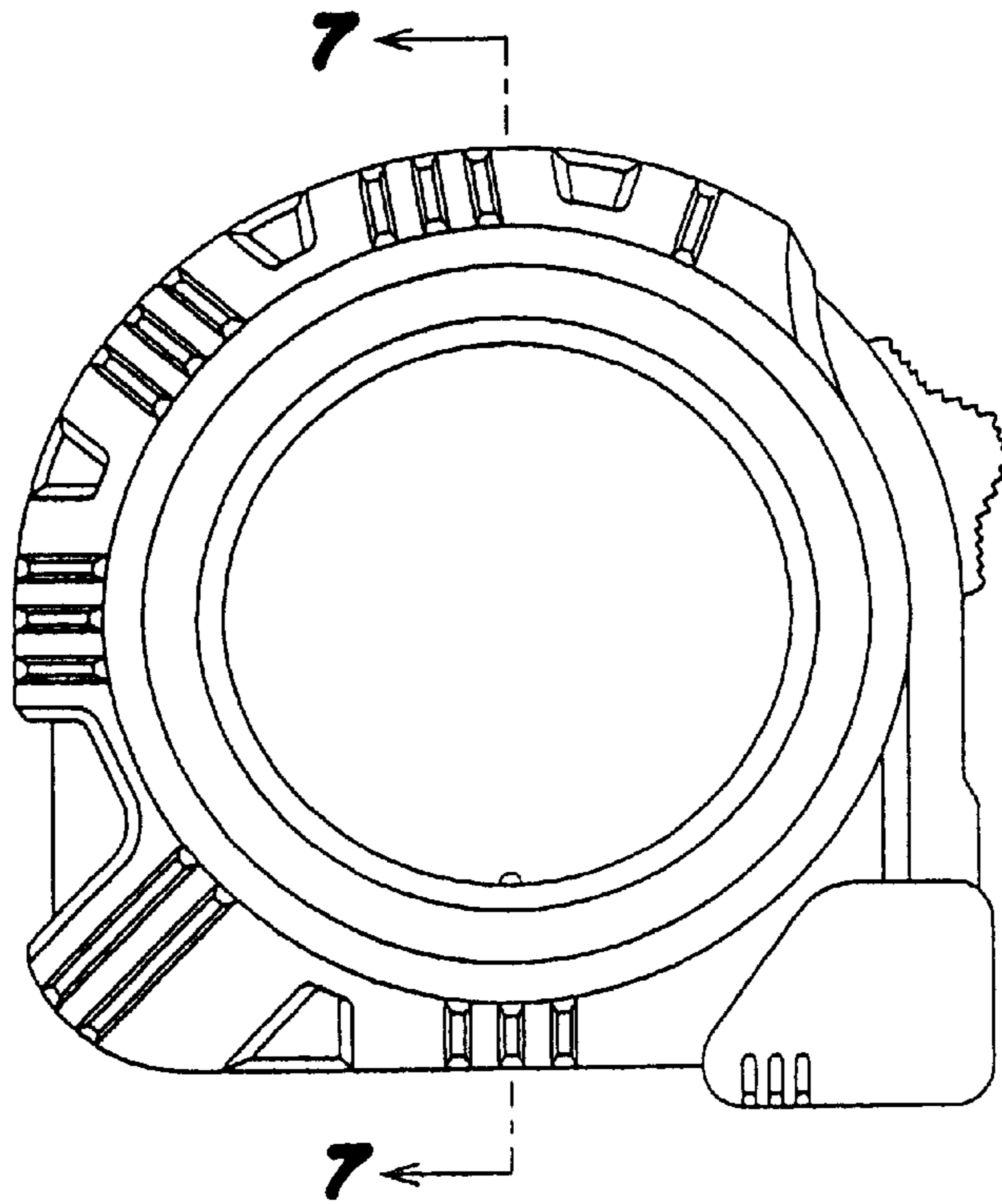


FIG. 3

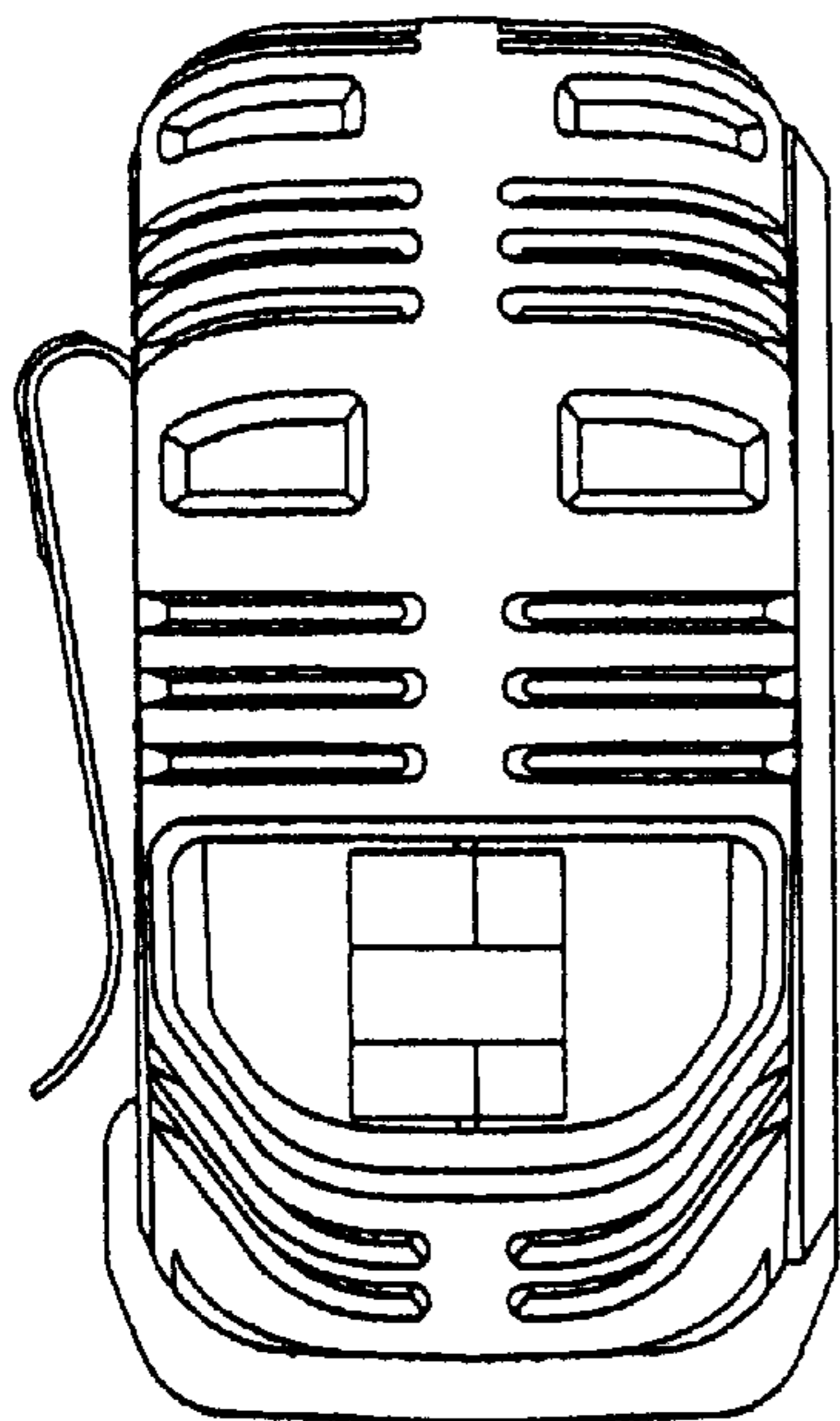


FIG. 2

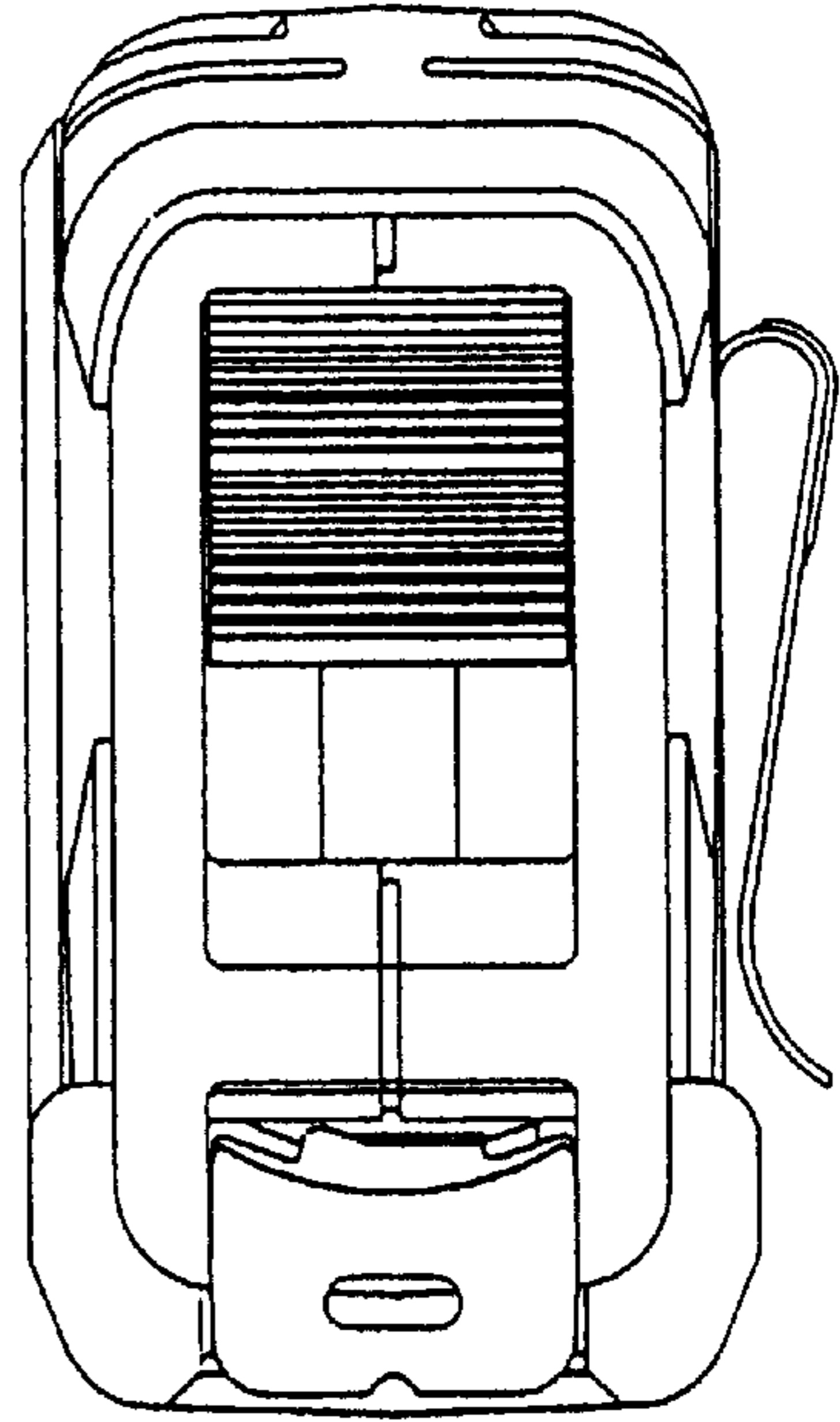


FIG. 4

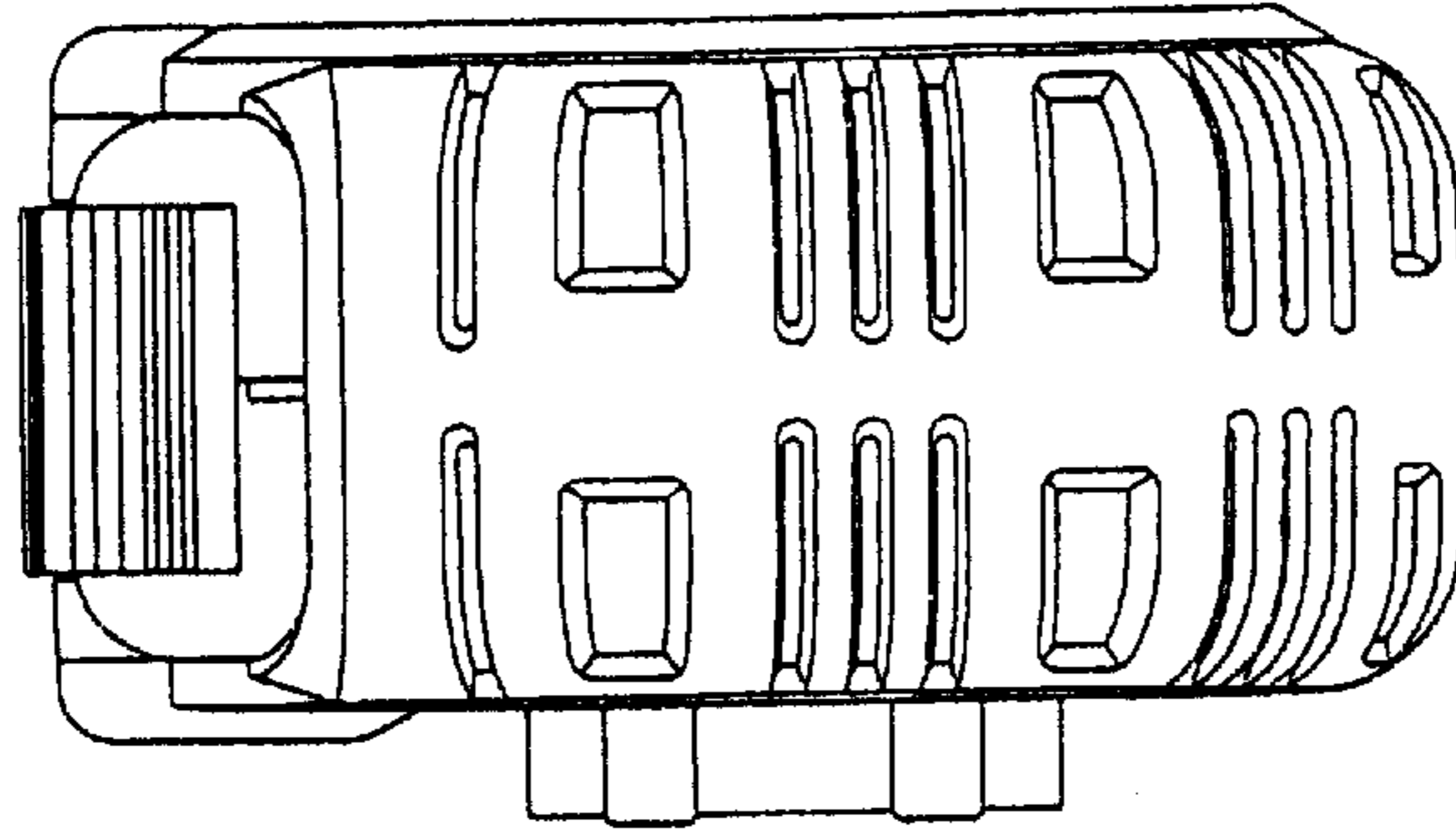


FIG. 5

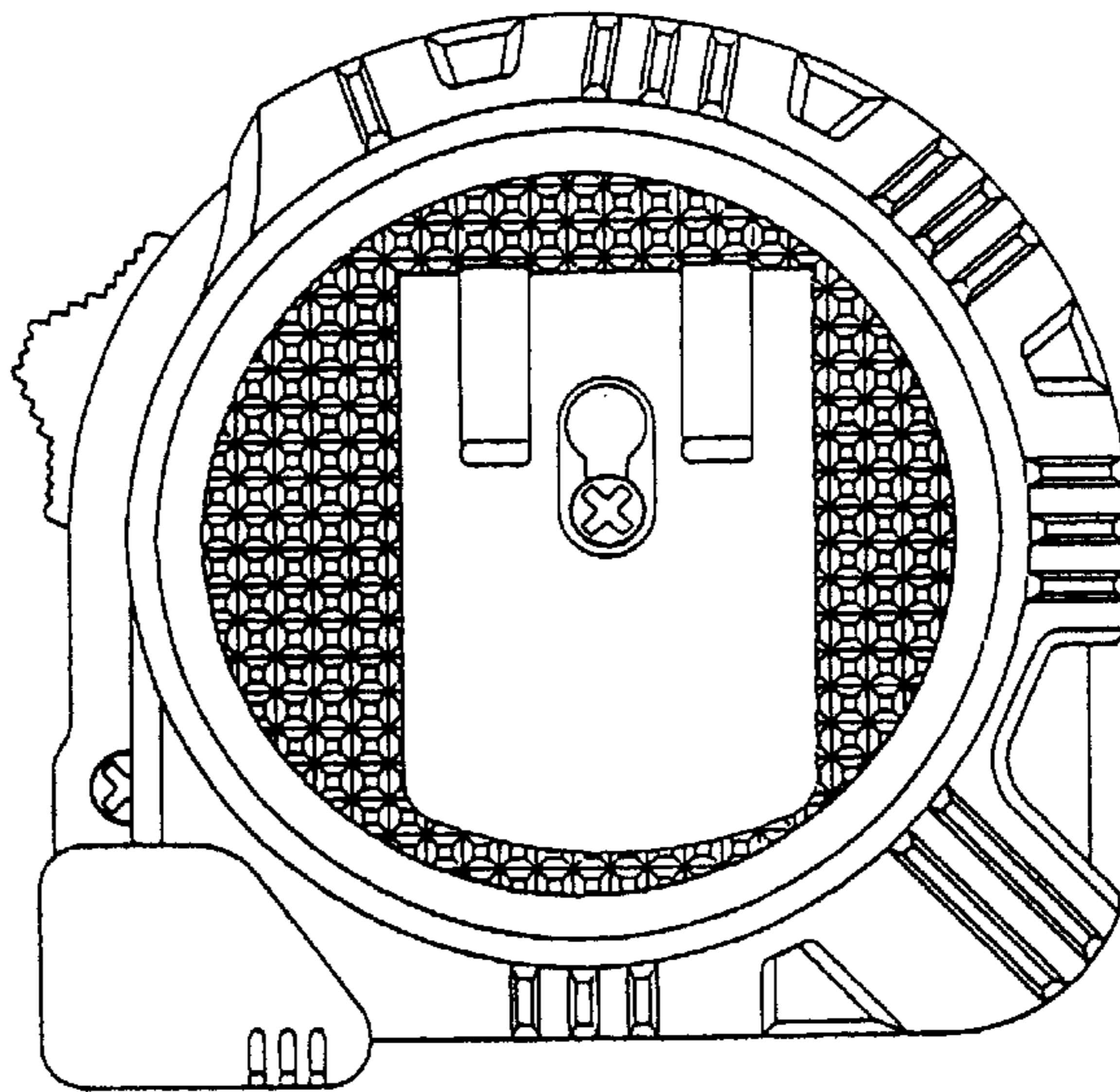


FIG. 6

