



US00D424952S

United States Patent [19]

Porsche et al.

[11] Patent Number: **Des. 424,952**

[45] Date of Patent: **** May 16, 2000**

[54] **WRISTWATCH**

[75] Inventors: **Ferdinand Alexander Porsche, Gries; Jörg Tragatschnig, Zell am See, both of Austria**

[73] Assignee: **Eterna S.A. Fabrique d'Horlogerie, Grenchen, Switzerland**

[**] Term: **14 Years**

[21] Appl. No.: **29/080,400**

[22] Filed: **Dec. 8, 1997**

[30] **Foreign Application Priority Data**

Jun. 6, 1997 [XH] Hague Agreement DM/041 264

[51] **LOC (7) Cl.** **10-02**

[52] **U.S. Cl.** **D10/32**

[58] **Field of Search** D10/1-40, 122-132; D11/3-25; 63/1.1, 3, 5, 11; 368/276-277, 280-282, 285

[56] **References Cited**

U.S. PATENT DOCUMENTS

- D. 248,219 6/1978 Porsche D10/32
- D. 250,634 12/1978 Porsche D10/32
- D. 333,275 2/1993 O'Hare D10/31
- D. 334,715 4/1993 Besson D10/39

- D. 360,593 7/1995 McLaughlin D10/39
- D. 362,633 9/1995 Bertolucci D10/32
- D. 371,082 6/1996 Oba D10/39
- D. 382,496 8/1997 Soo D10/32
- D. 386,424 11/1997 Sang D10/30

FOREIGN PATENT DOCUMENTS

1300278 6/1961 France D10/39

OTHER PUBLICATIONS

Jeweler's Circular—Keystone—Oct. 1983—p. 137—watch.

Primary Examiner—Nelson C. Holtje
Attorney, Agent, or Firm—Collen Law Associates, P.C.

[57] **CLAIM**

The ornamental design for a wristwatch, as shown and described.

DESCRIPTION

FIG. 1 is a top view of our new ornamental design for a wristwatch;
FIG. 2 is a bottom view thereof;
FIG. 3 is a front view thereof;
FIG. 4 is a rear view thereof;
FIG. 5 is a left side view thereof; and,
FIG. 6 is a top, right perspective view thereof.

1 Claim, 2 Drawing Sheets



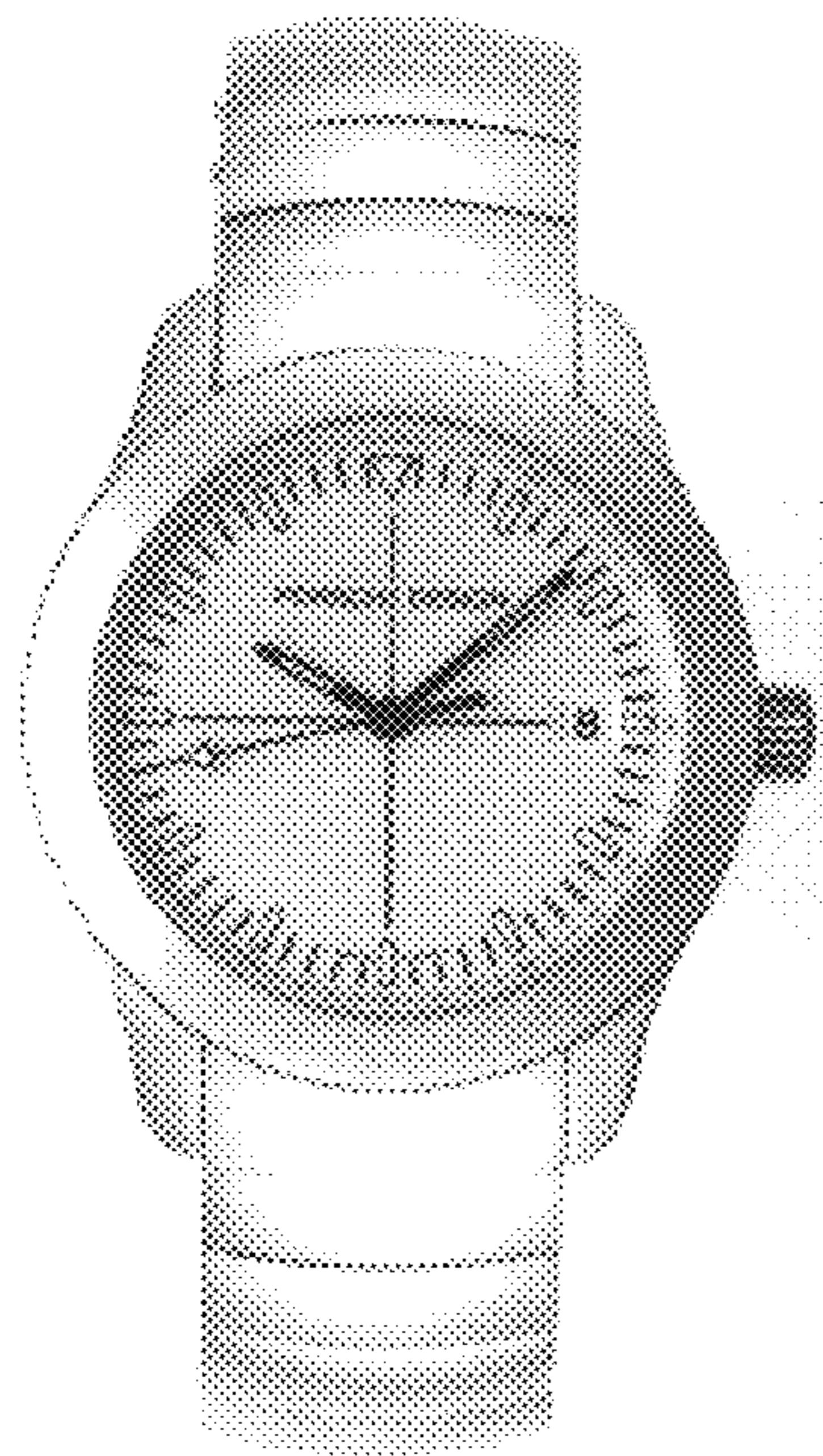


Fig. 1

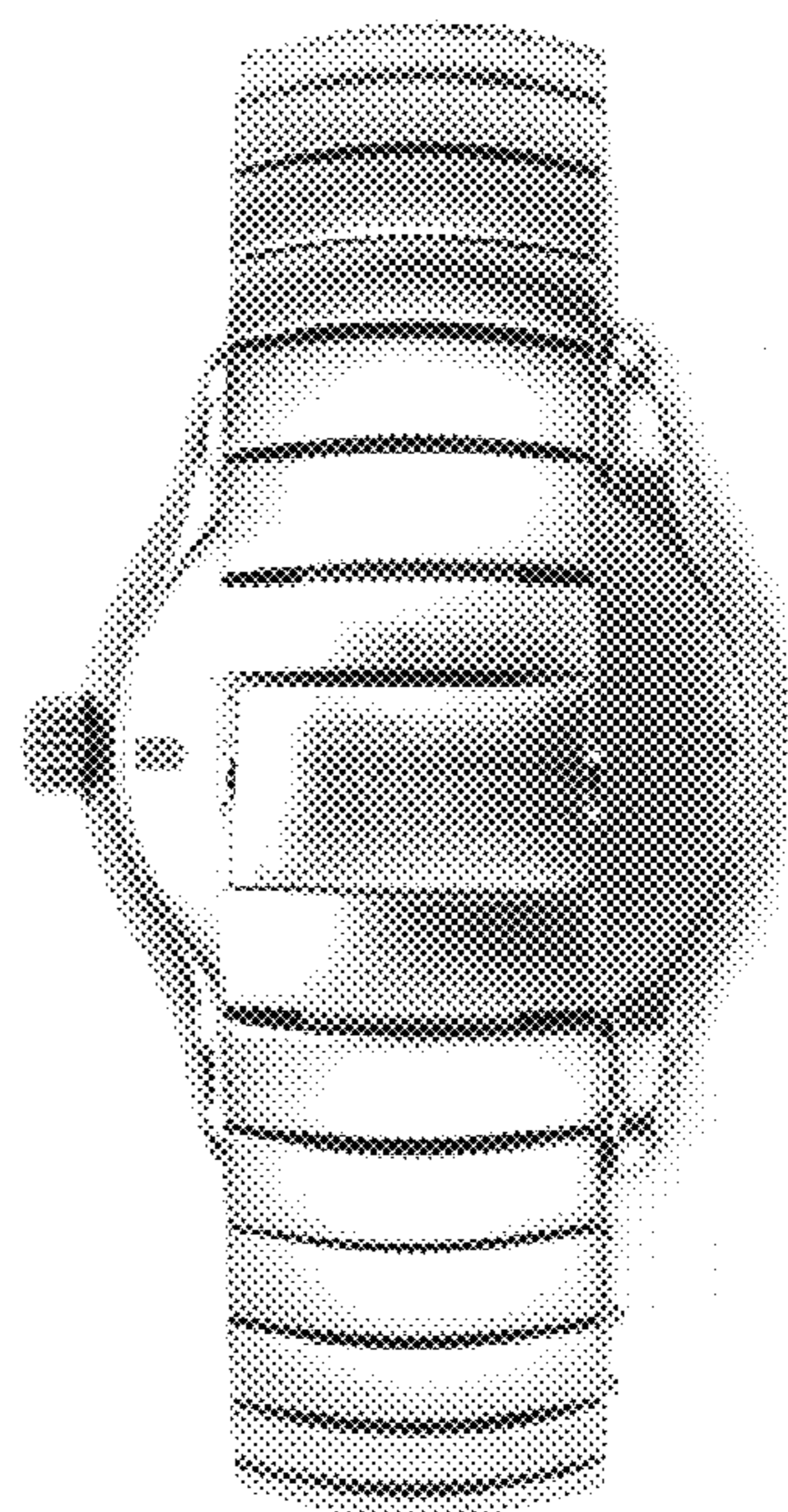


Fig. 2

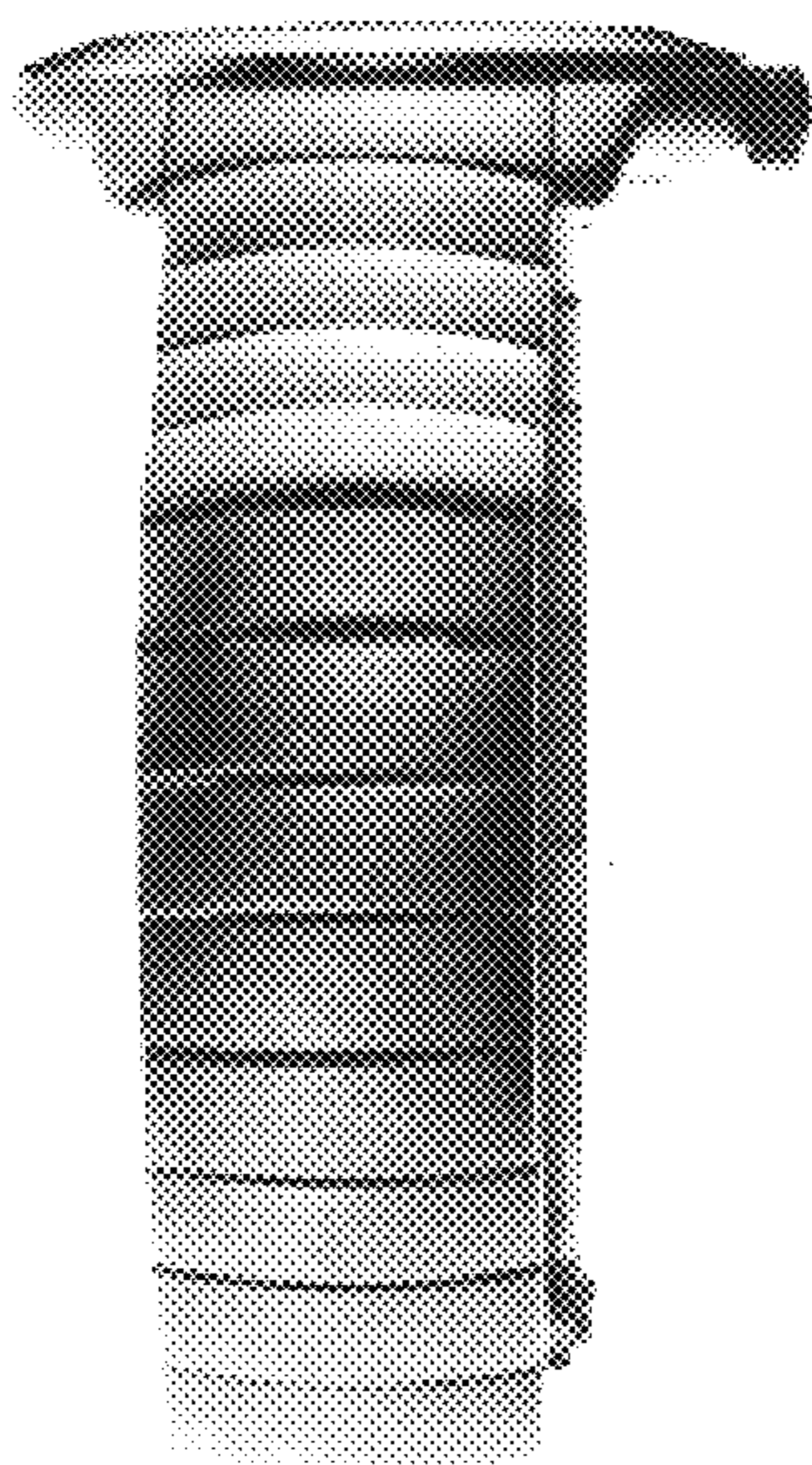


Fig. 3

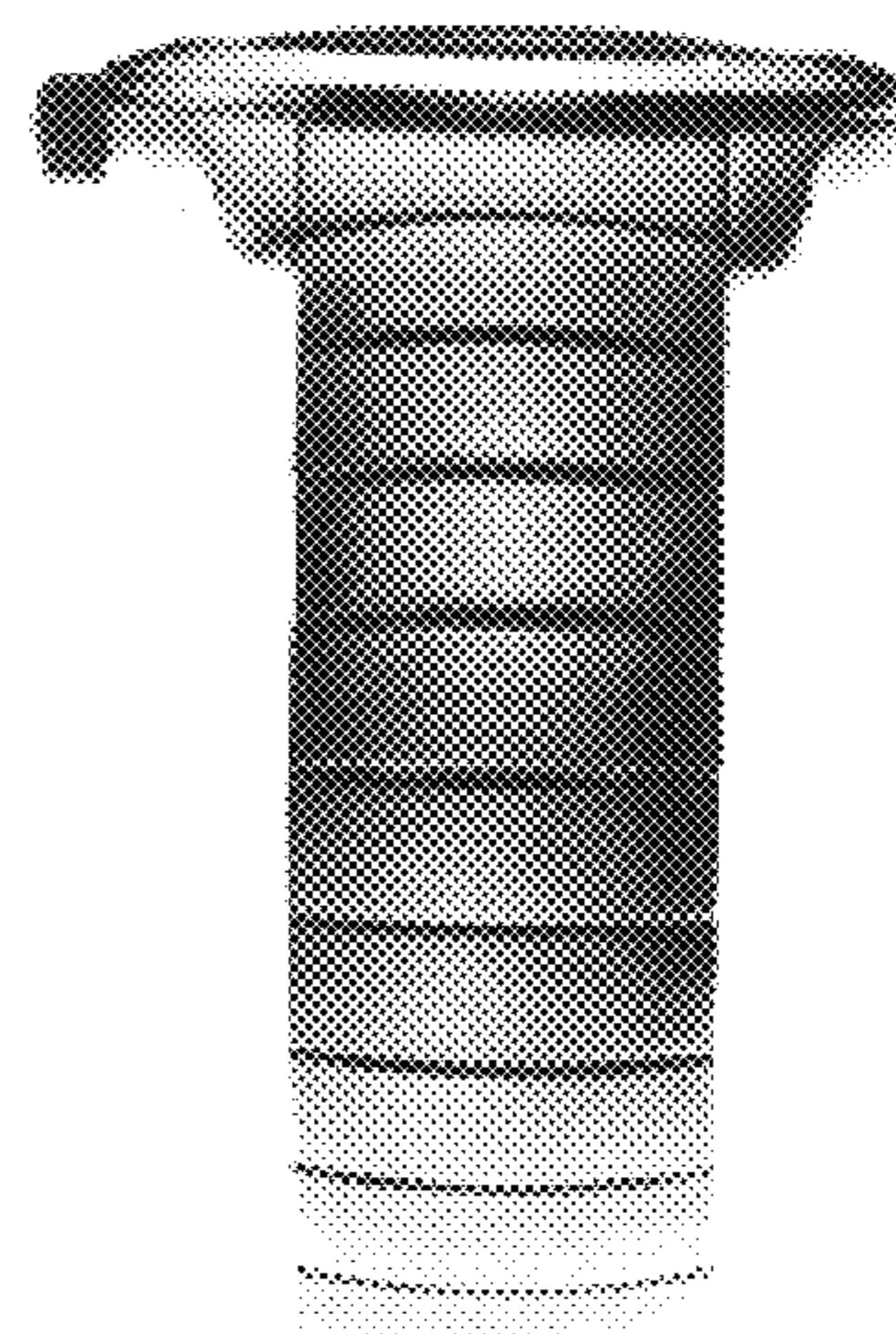


Fig. 4

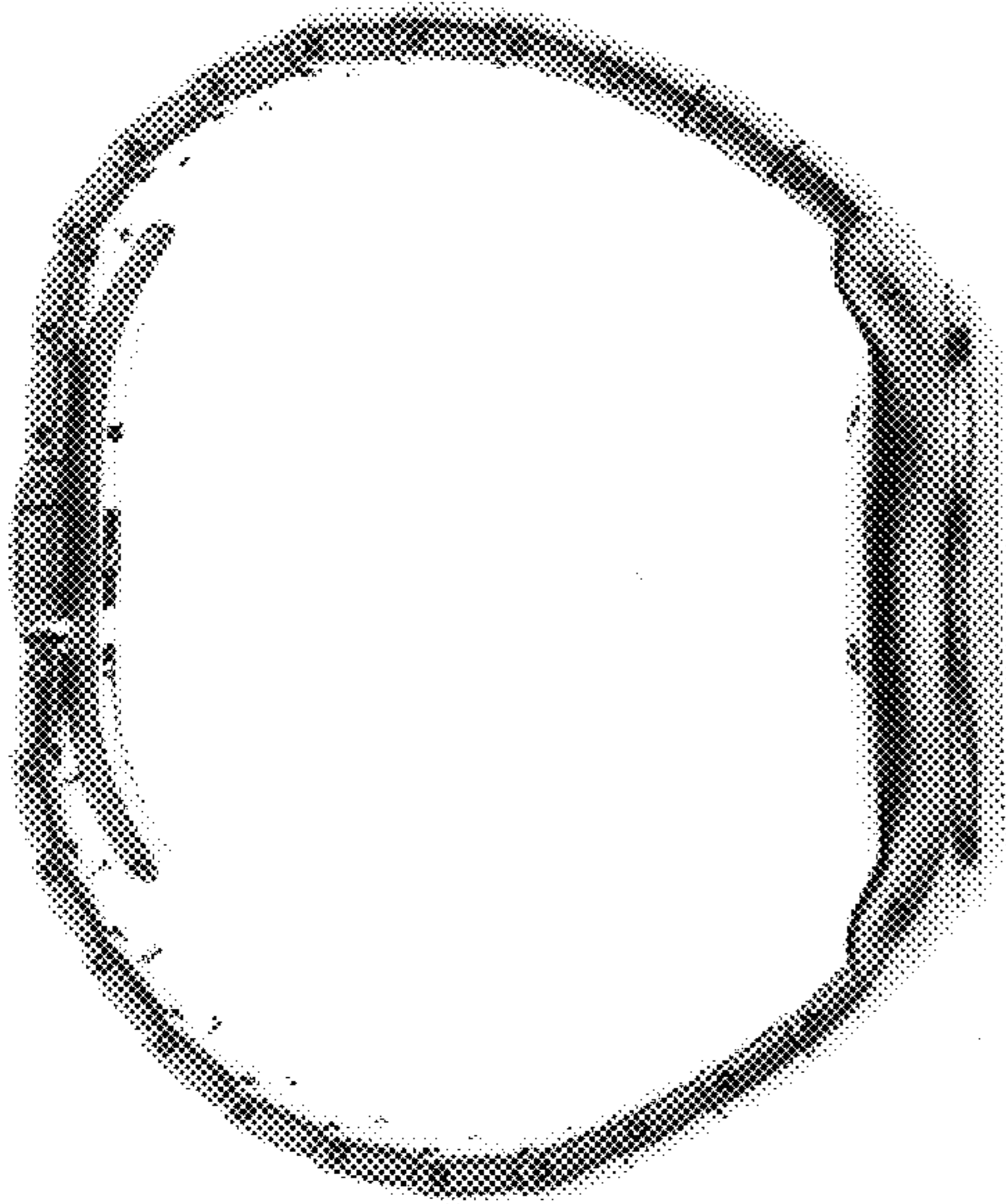


Fig. 5



Fig. 6