



US00D424944S

United States Patent [19]

[11] **Patent Number: Des. 424,944**

Mohary et al.

[45] **Date of Patent: ** *May 16, 2000**

[54] **COMBINED BOTTLE AND CAP**

[75] Inventors: **Stephen J. Mohary**, Pennington, N.J.;
Craig M. Saunders, Rocky River;
Jesse P. Carlton, Cleveland, both of
Ohio; **Milton R. Dallas, Jr.**, East Troy,
Wis.

[73] Assignee: **Johnson & Johnson Consumer
Companies, Inc.**, Skillman, N.J.

[*] Notice: This patent is subject to a terminal dis-
claimer.

[**] Term: **14 Years**

[21] Appl. No.: **29/081,603**

[22] Filed: **Jan. 6, 1998**

Related U.S. Application Data

[63] Continuation-in-part of application No. 29/076,356, Sep. 9,
1997.

[51] **LOC (7) Cl.** **09-01**

[52] **U.S. Cl.** **D9/520; D9/529; D9/539;**
D9/550

[58] **Field of Search** D9/520, 539, 540,
D9/542, 543, 550, 563, 571, 449, 447,
529, 450; 222/556, 212, 213, 215; 215/382,
383, 384, 235, 237

[56] **References Cited**

U.S. PATENT DOCUMENTS

D. 195,787	7/1963	Thompson	D9/515
D. 199,817	12/1964	Harris et al.	D9/539
D. 211,319	6/1968	Jeronimus	D9/542
D. 217,591	5/1970	Biscoe	D9/542
D. 237,946	12/1975	Pardo	D9/542
D. 238,554	1/1976	Pardo	D9/542
D. 247,611	3/1978	Giles	

D. 270,711	9/1983	Weckman	D9/542
D. 325,783	4/1992	Anderson	D9/447
D. 329,984	10/1992	Walravens	D9/520
D. 363,225	10/1995	Kudo	D9/520
3,430,825	3/1969	Wilson	.	
4,022,352	5/1977	Pehr	222/556
4,382,529	5/1983	Drdlik	222/556
4,632,266	12/1986	Osswald	222/556
4,763,801	8/1988	Nycz	215/235
4,846,810	7/1989	Gerber	.	
5,332,131	7/1994	Pehr	222/556
5,439,143	8/1995	Brown et al.	.	
5,523,045	6/1996	Kudert et al.	.	

OTHER PUBLICATIONS

Packaging Review, Published Mar., 1983, p. 35.

Primary Examiner—Lucy Lieberman
Attorney, Agent, or Firm—Michele G. Mangini

[57] **CLAIM**

The ornamental design for a combined bottle and cap, as
shown and described.

DESCRIPTION

FIG. 1 is a perspective view of the combined bottle and cap
of our new design;
FIG. 2 is a front elevational view thereof, the rear elevation
being a mirror image;
FIG. 3 is a left side elevational view thereof;
FIG. 4 is a right side elevational view thereof;
FIG. 5 is a top plan view thereof.
FIG. 6 is a bottom plan view thereof.
FIG. 7 is a fragmentary perspective view showing the
dispensing tab on the cap in an alternate position;
FIG. 8 is a top plan view of FIG. 7;
FIG. 9 is a fragmentary perspective view showing the
dispensing tab on the cap in different alternate position; and,
FIG. 10 is a top plan view of FIG. 9.

1 Claim, 7 Drawing Sheets



FIG. 1



FIG. 2

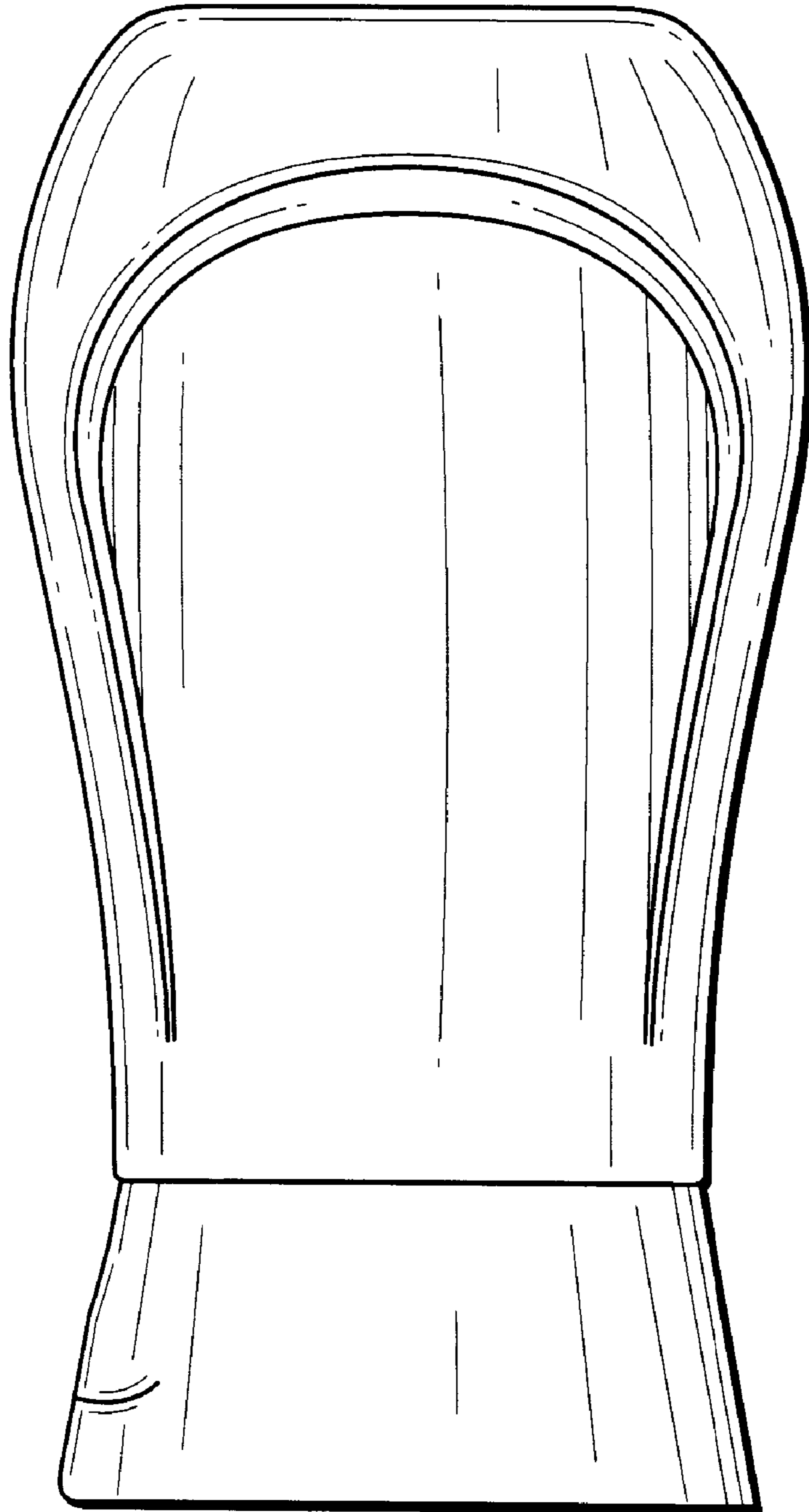


FIG. 3

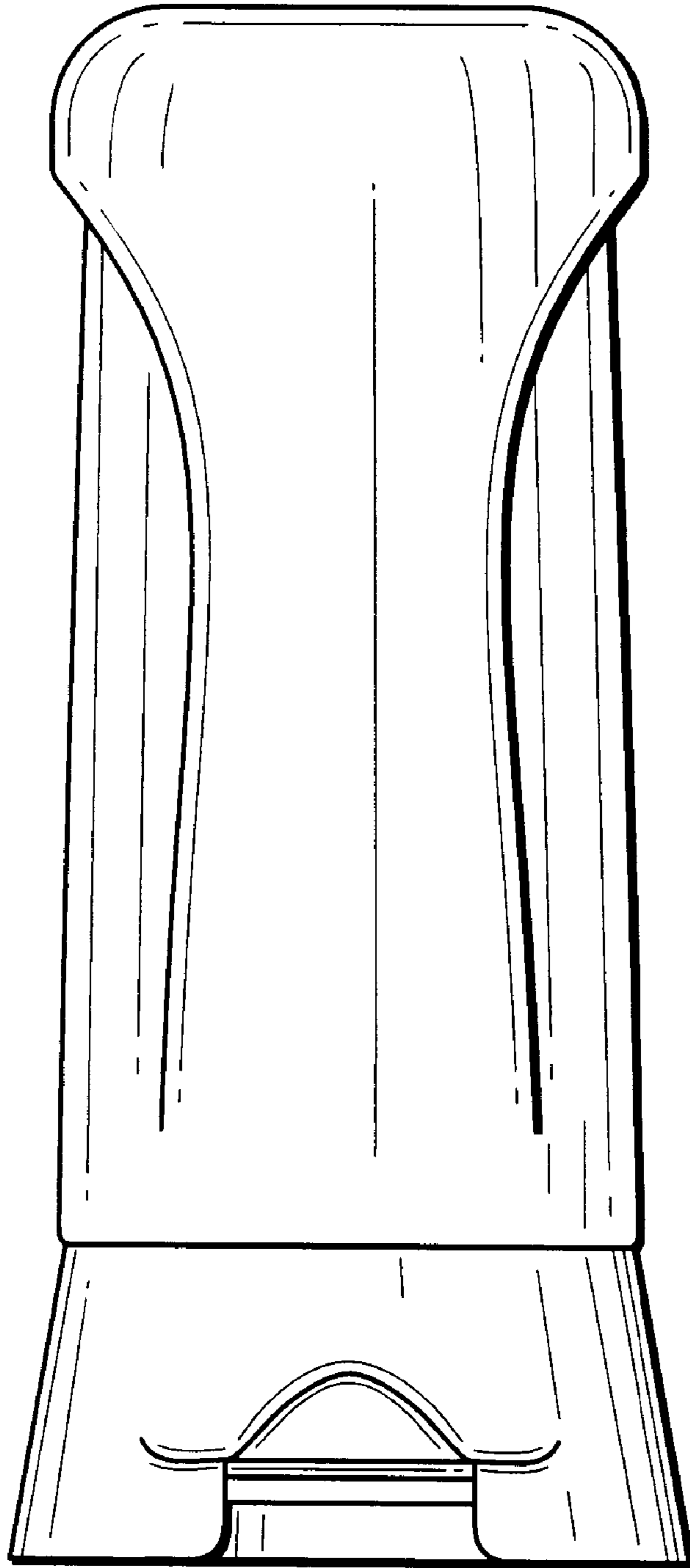


FIG. 4

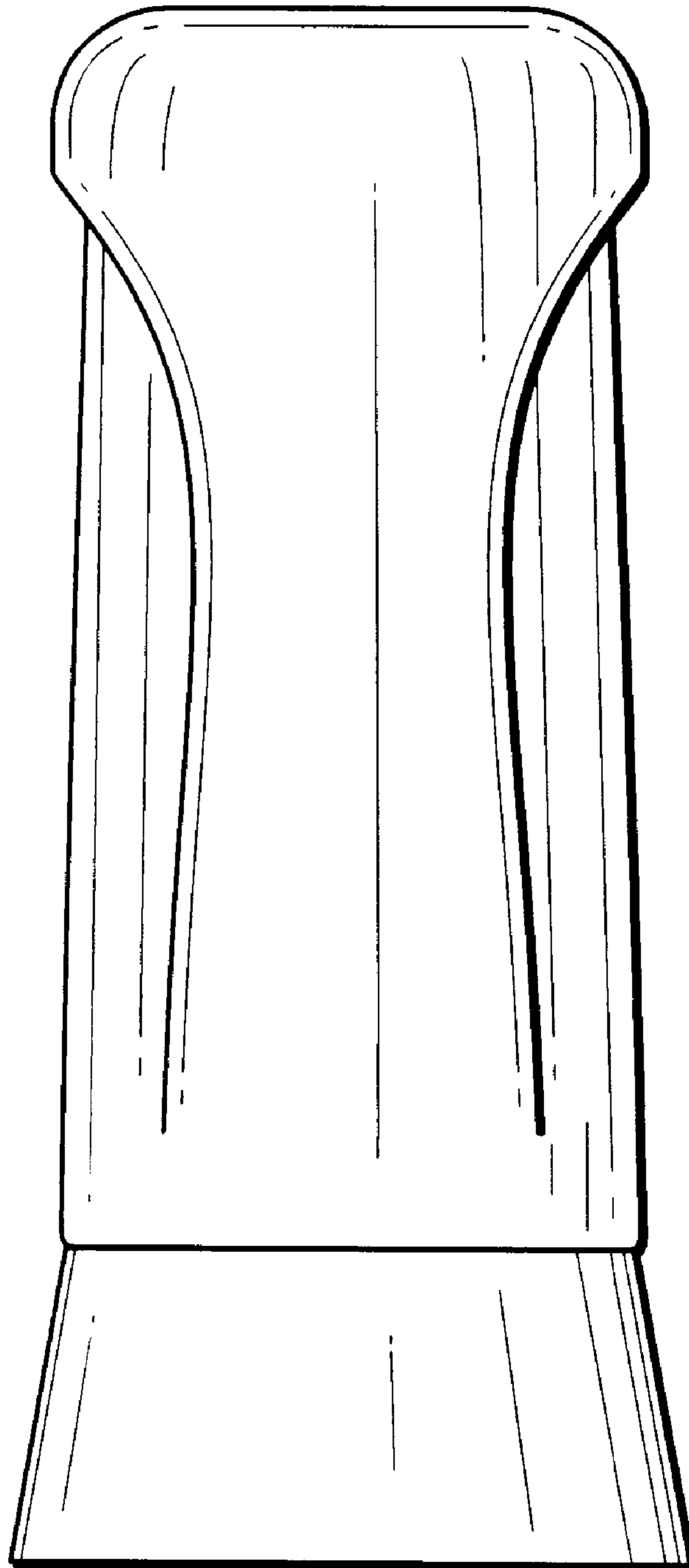


FIG. 5

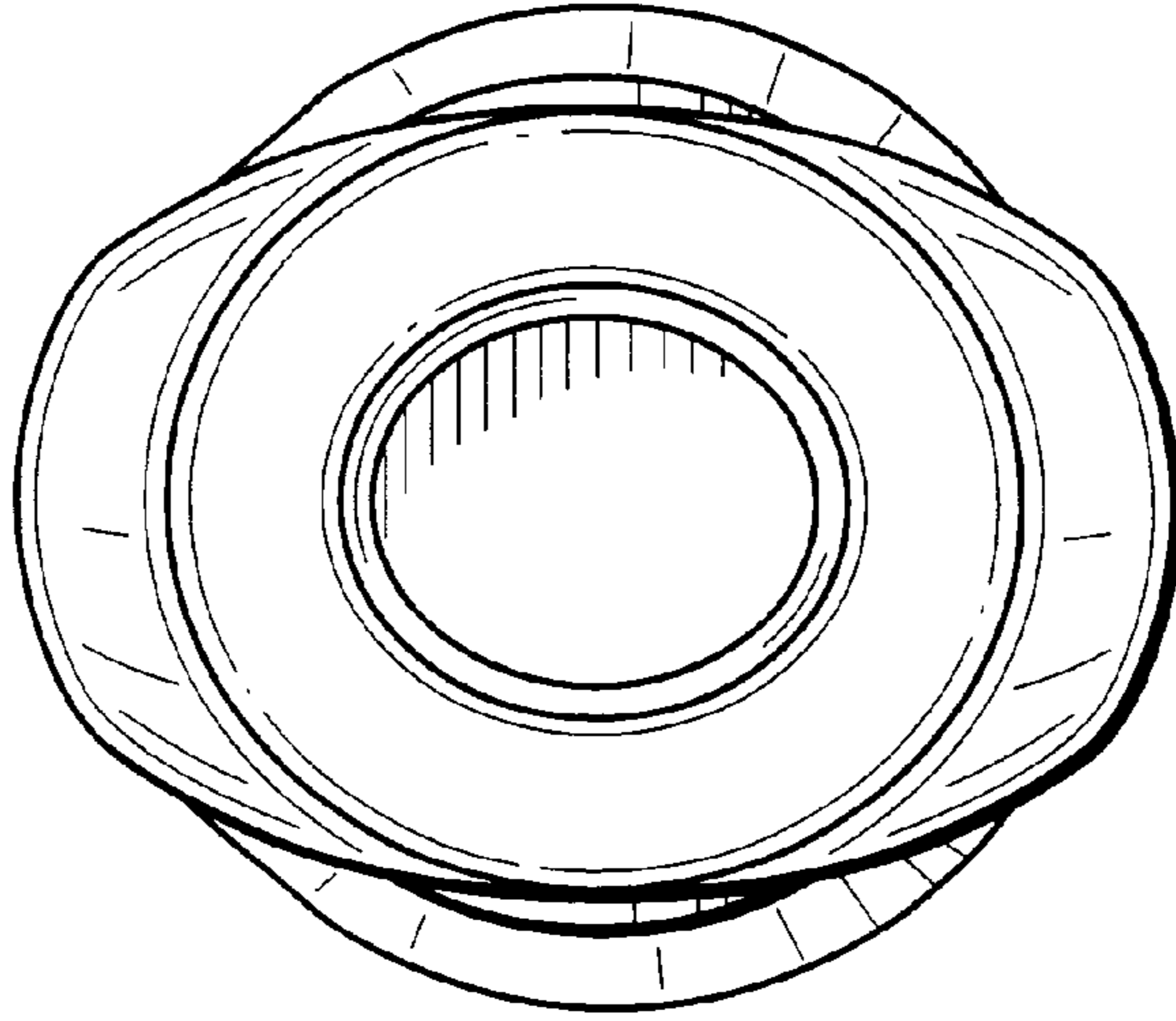


FIG. 6

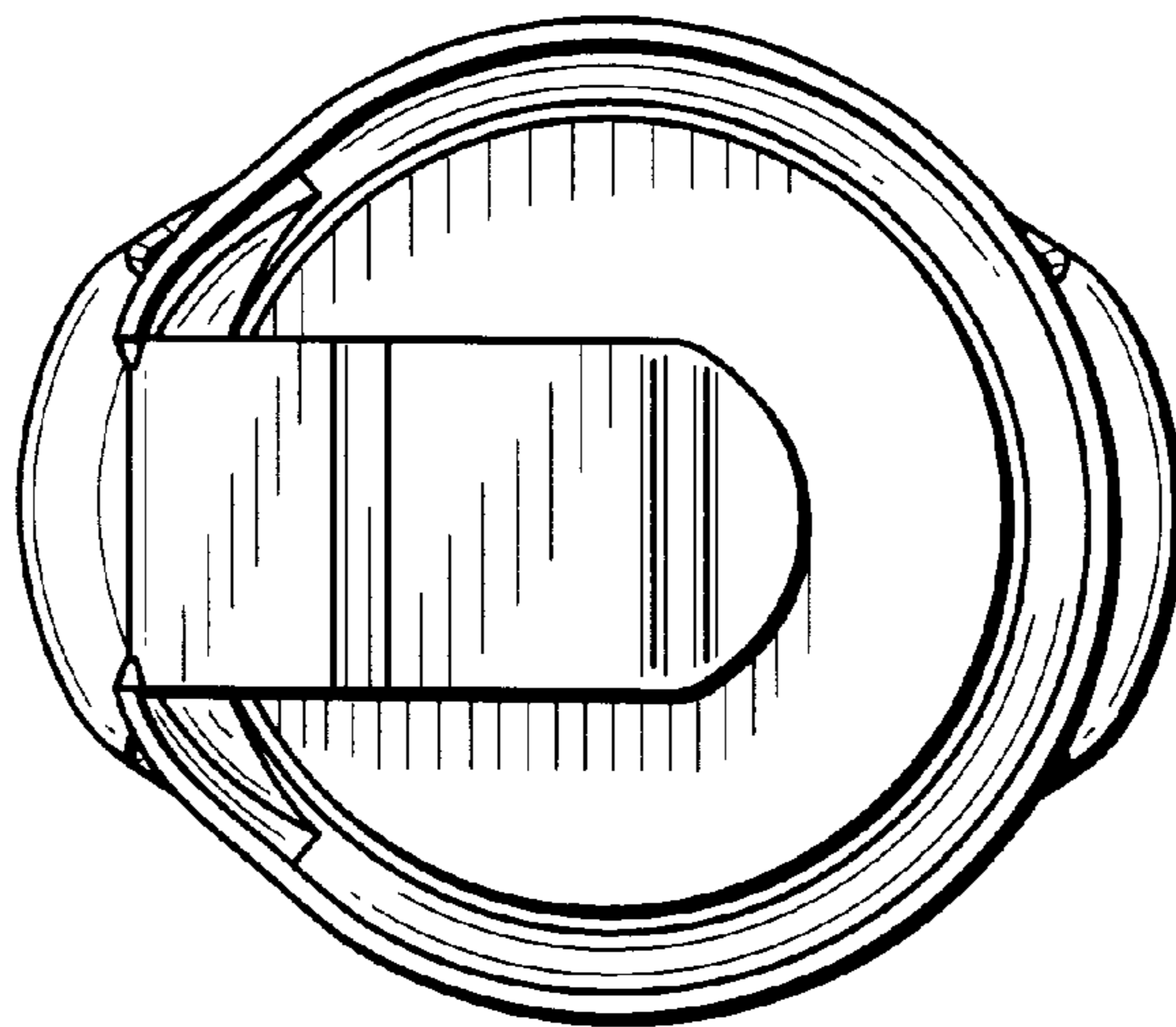


FIG. 7

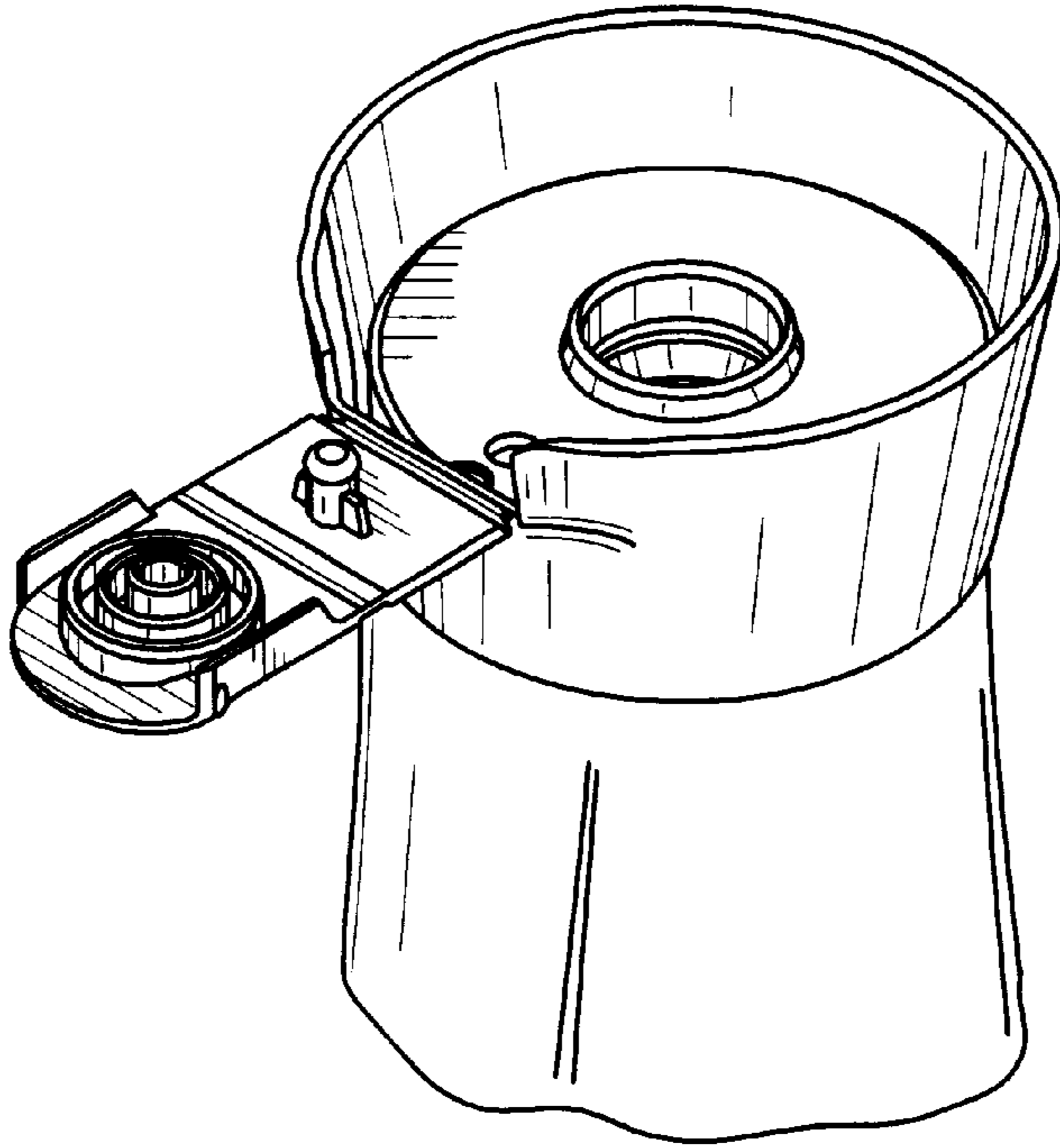


FIG. 8

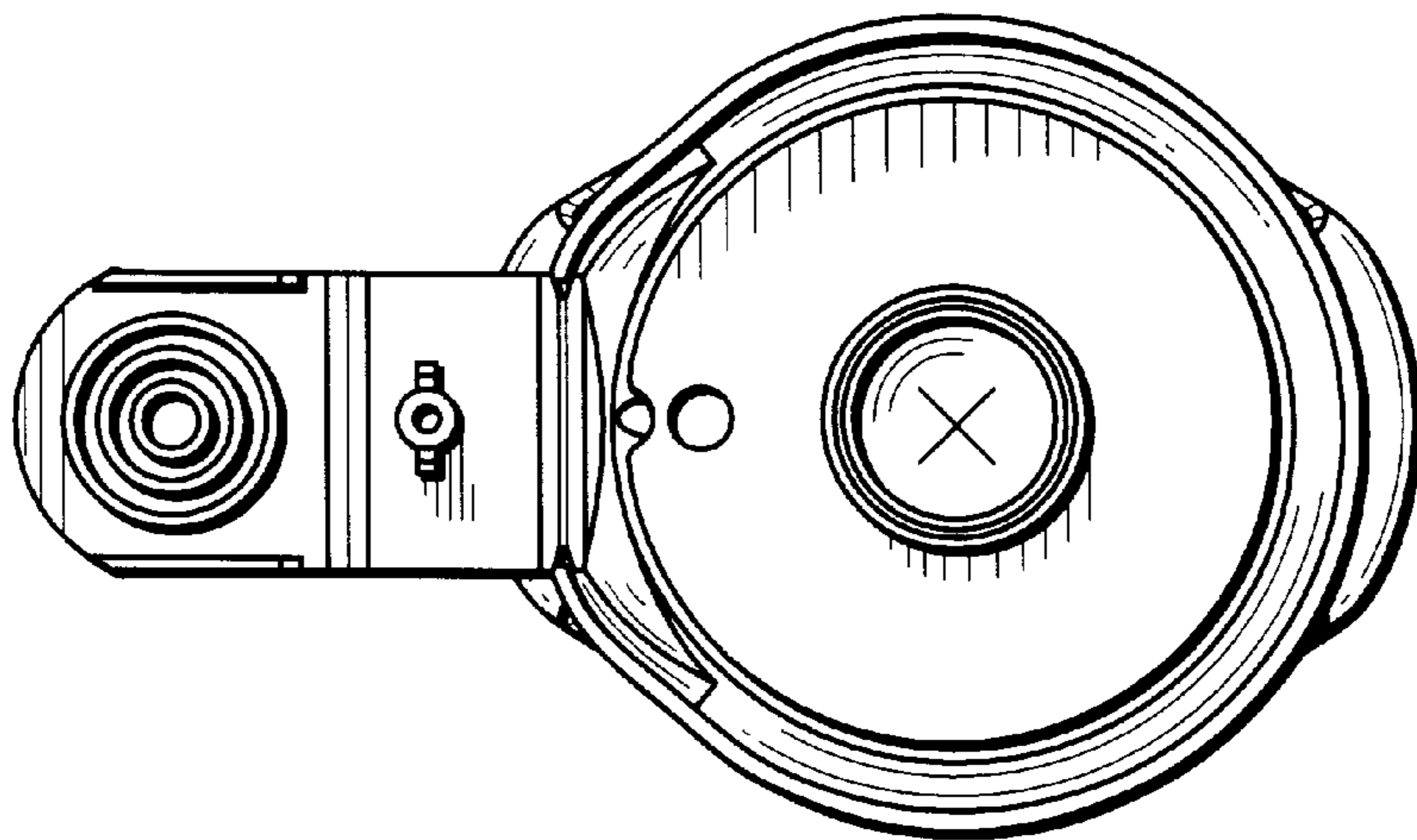


FIG. 9

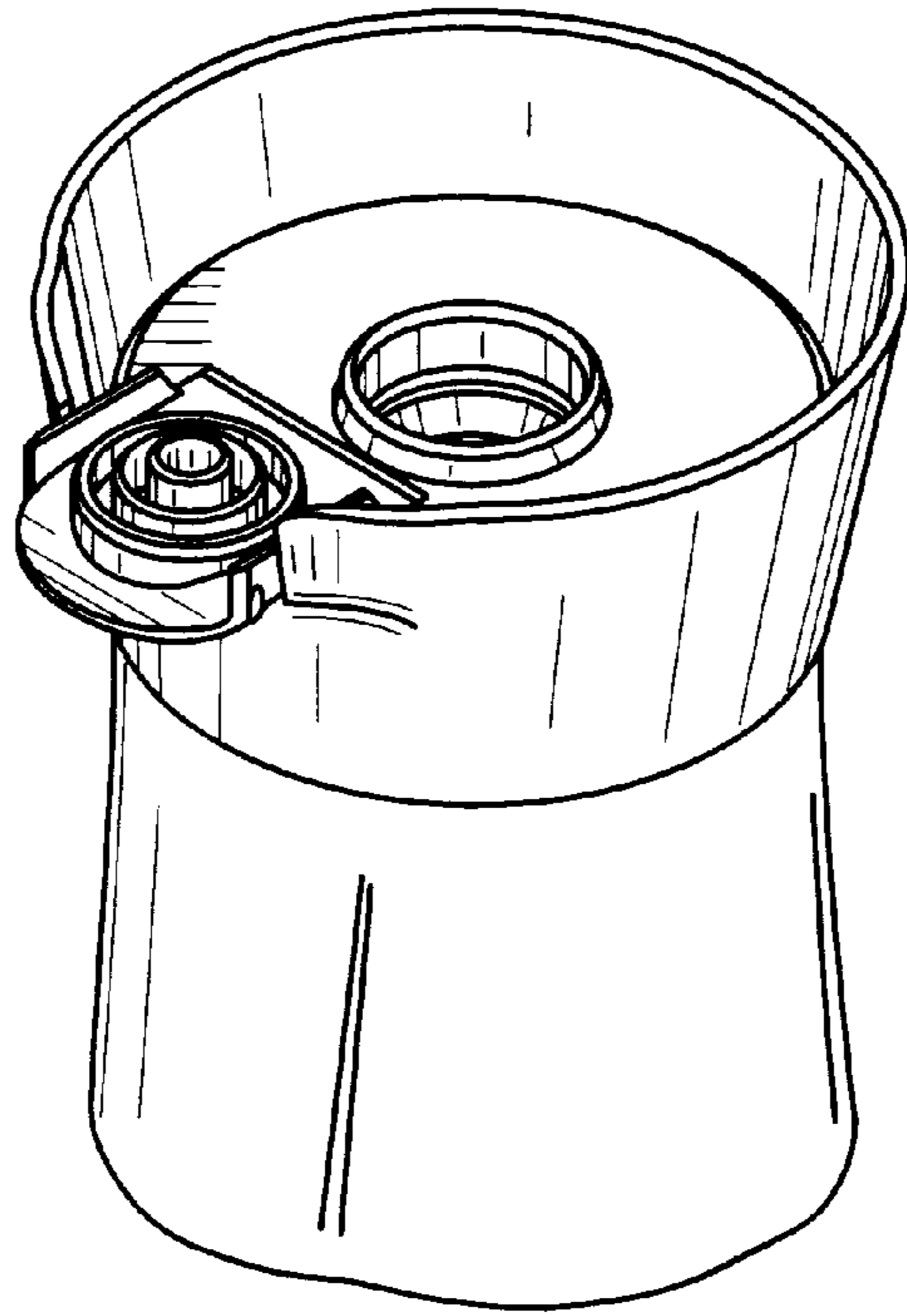


FIG. 10

