



US00D424941S

United States Patent [19] Boutour

[11] **Patent Number: Des. 424,941**

[45] **Date of Patent: ** May 16, 2000**

[54] **CORE BOX**

[76] Inventor: **Daniel Boutour**, c/o Paul Biron, P.O.
Box 0732, Jackman, Me. 04945

[**] Term: **14 Years**

[21] Appl. No.: **29/097,029**

[22] Filed: **Nov. 20, 1998**

[51] **LOC (7) Cl. 09-07**

[52] **U.S. Cl. D9/456; D9/341**

[58] **Field of Search** D9/341, 424, 432,
D9/433, 434, 455, 456, 499; D3/313; 206/389,
391, 407, 418, 433, 443, 518, 528, 557,
558, 534.1, 564, 718; 211/70.1

[56] **References Cited**

U.S. PATENT DOCUMENTS

D. 26,729	3/1897	Jacques	D9/341
D. 180,610	7/1957	McBean	D9/456
D. 219,645	1/1971	Rabe	D9/341
3,467,247	9/1969	Weiss	D9/341 X
3,786,932	1/1974	Smith	211/70.1

4,173,286	11/1979	Stanko	206/433
4,483,442	11/1984	Worth	206/558 X
4,874,091	10/1989	McEwen et al.	206/443

Primary Examiner—Cathron B. Matta

[57] **CLAIM**

The ornamental design for a core box, as shown and described.

DESCRIPTION

FIG. 1 is a perspective of a core box, showing my new design;

FIG. 2 is a partial perspective view of a second embodiment of a core box, the sole difference residing in the number of recesses and the resulting change thereof in width.

FIG. 3 is a partial perspective view of a third embodiment of a core box, the sole difference residing in the number of recesses and the resulting change thereof in width.

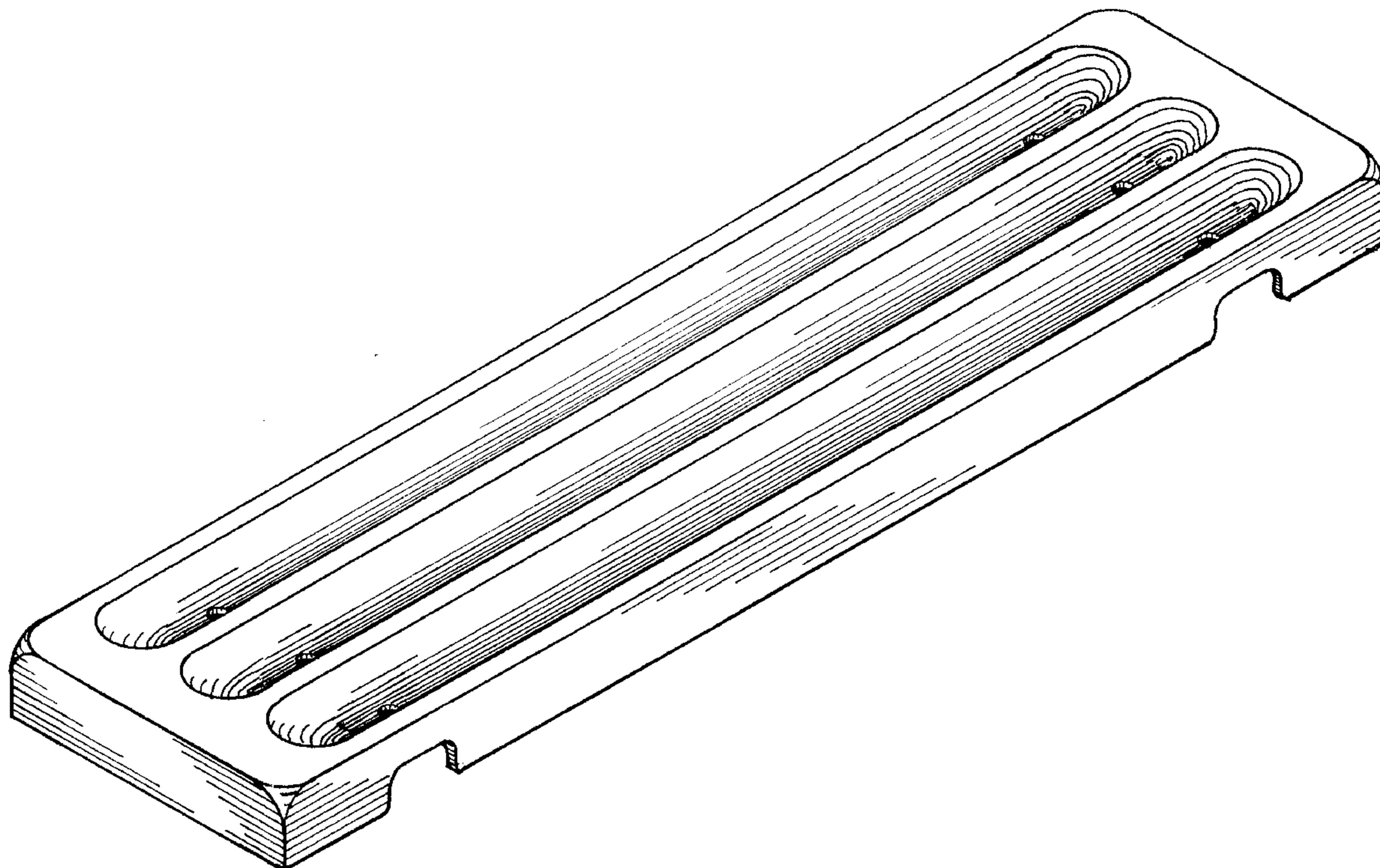
FIG. 4 is a top view thereof,

FIG. 5 is an end view thereof,

FIG. 6 is a side view thereof; and,

FIG. 7 is a bottom view thereof.

1 Claim, 2 Drawing Sheets



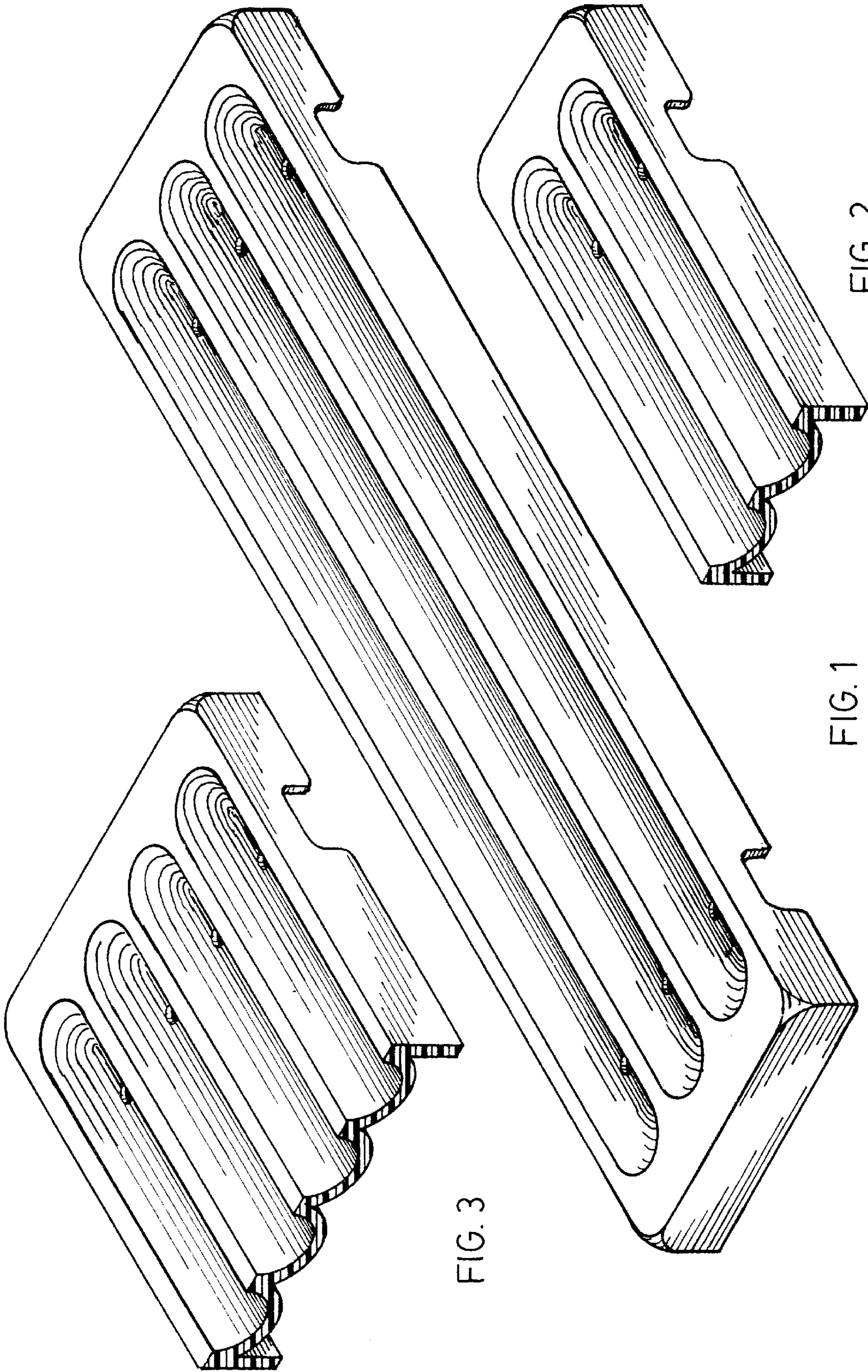


FIG. 2

FIG. 1

FIG. 3

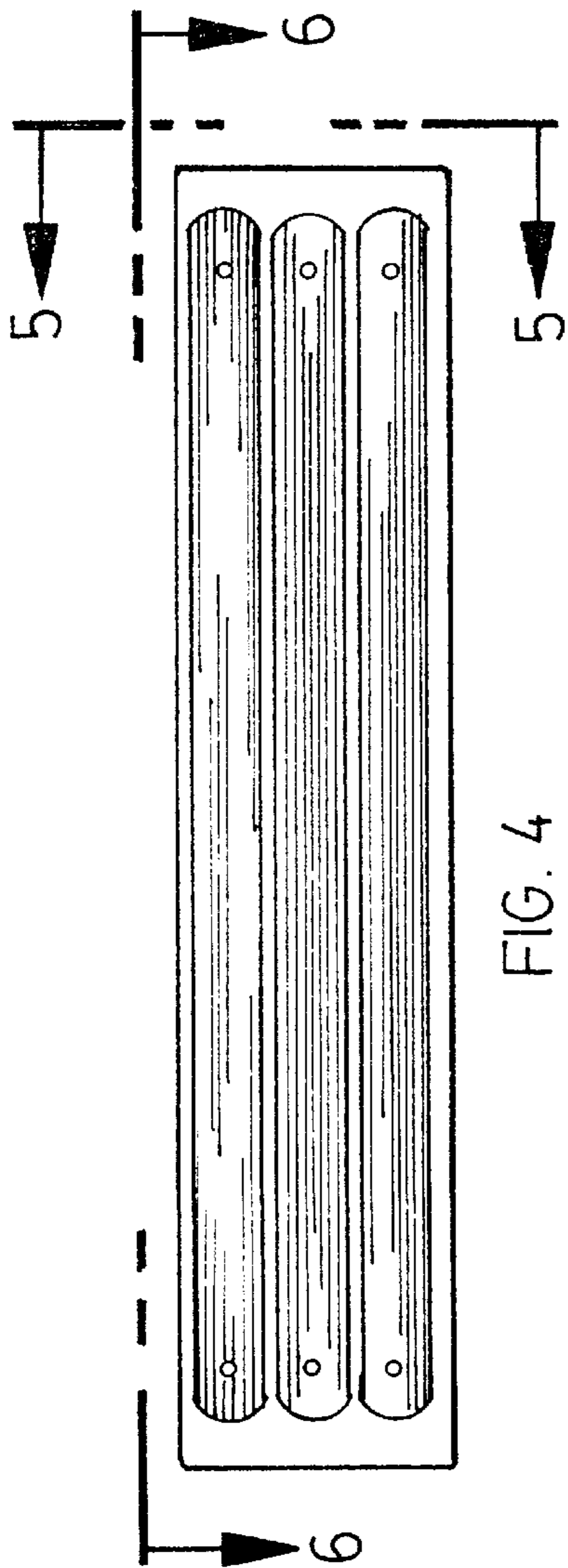


FIG. 4



FIG. 5

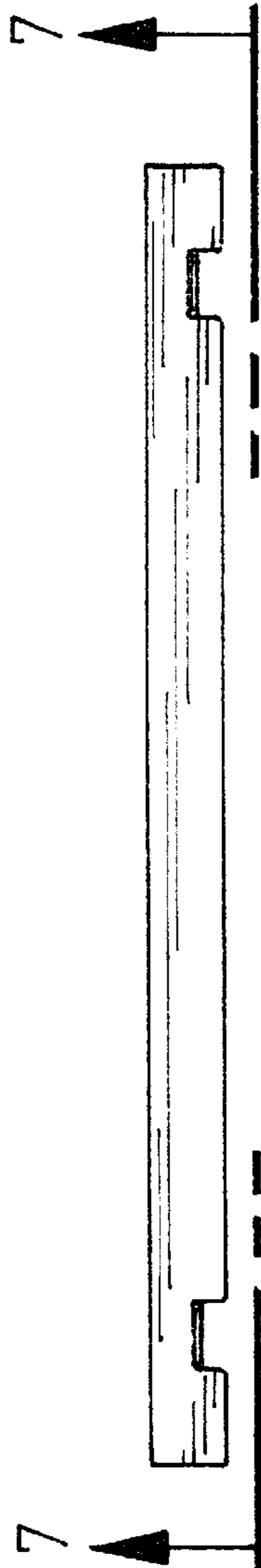


FIG. 6

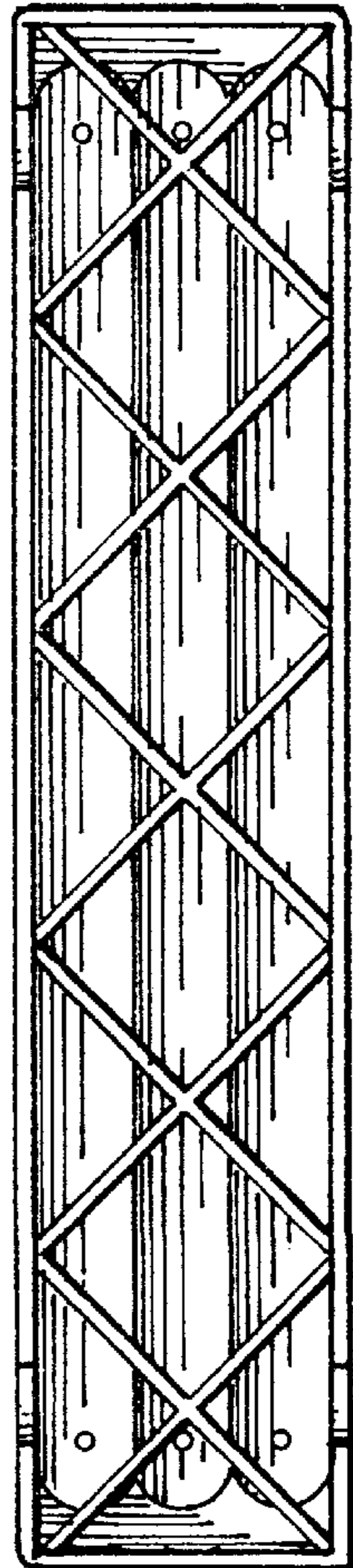


FIG. 7