



US00D424939S

United States Patent [19]

Fan et al.

[11] Patent Number: **Des. 424,939**

[45] Date of Patent: **** May 16, 2000**

[54] **TRIGGER SPRAYER**

[75] Inventors: **Ruixin Fan**, Perrysburg; **George R. Trepina**, Holland; **Timothy B. Kowal**, Maumee; **Gennaro R. Martire**, Perrysburg; **Kenneth S. Bloom**, Jerry City, all of Ohio; **William E. Chalupsky**, Woodbury, Minn.

[73] Assignee: **Owens-Illinois Closure Inc.**, Toledo, Ohio

[**] Term: **14 Years**

[21] Appl. No.: **29/108,572**

[22] Filed: **Jul. 29, 1999**

[51] **LOC (7) Cl.** **09-07**

[52] **U.S. Cl.** **D9/448**

[58] **Field of Search** D9/300, 447, 448;
222/153.1-153.14, 383.1-385

[56] **References Cited**

U.S. PATENT DOCUMENTS

D. 385,492 10/1997 Foster et al. D9/448

D. 406,762 3/1999 Durliat D9/448
5,738,251 4/1998 Schuckmann 222/153.14
5,769,275 6/1998 Boehmer et al. D9/300 X

Primary Examiner—Cathron B. Matta

[57] **CLAIM**

The ornamental design for a trigger sprayer, as shown and described.

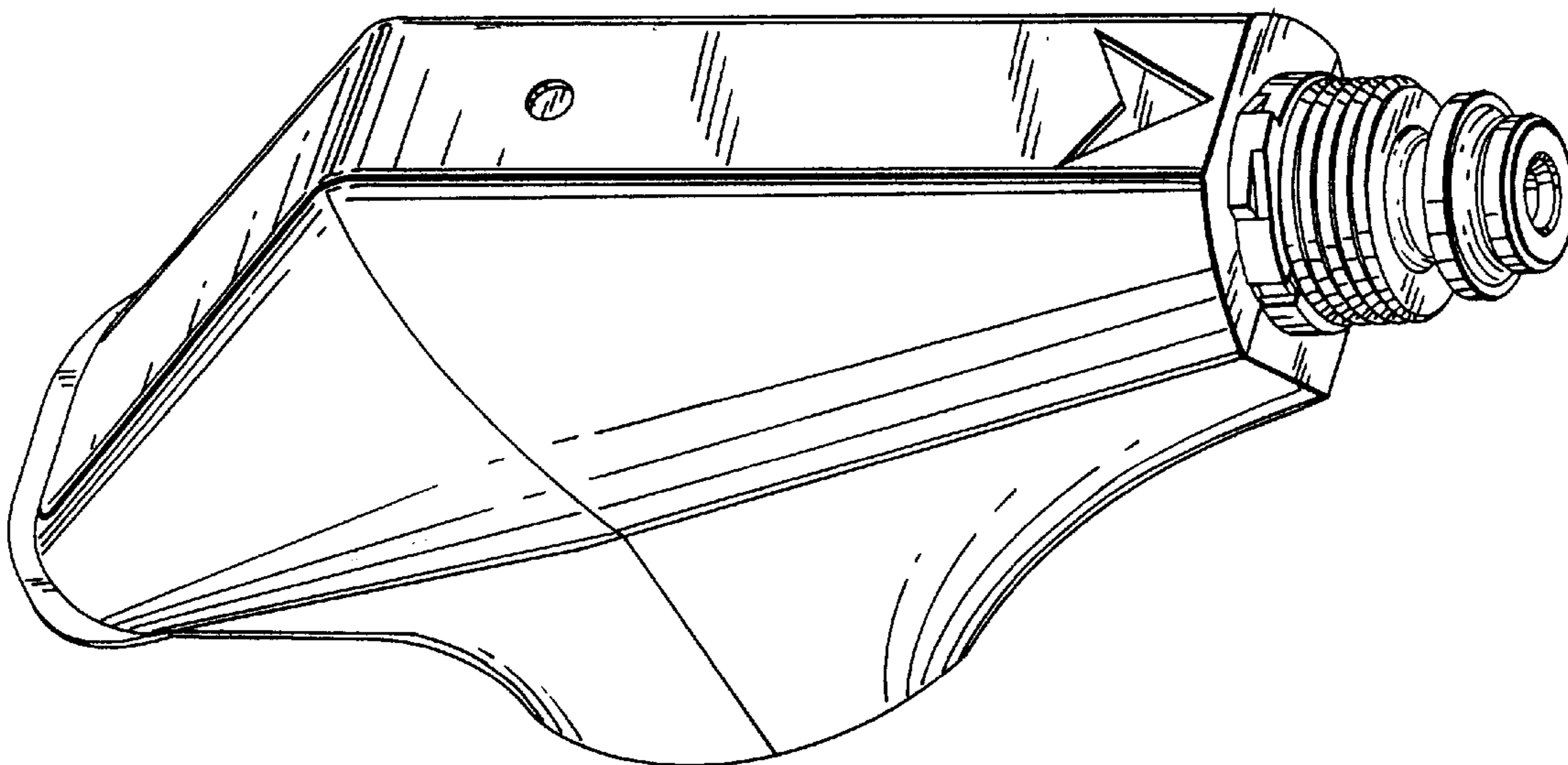
DESCRIPTION

FIG. 1 is a perspective view showing our new design; FIG. 2 is a left side elevation; FIG. 3 is a top plan view; FIG. 4 is a rear elevation; FIG. 5 is a front elevation; and, FIG. 6 is a bottom plan view.

The right side elevation is a mirror image of the left side elevation of FIG. 2.

The broken line showing of internal elements is for illustrative purposes only and forms no part of the claimed design.

1 Claim, 2 Drawing Sheets



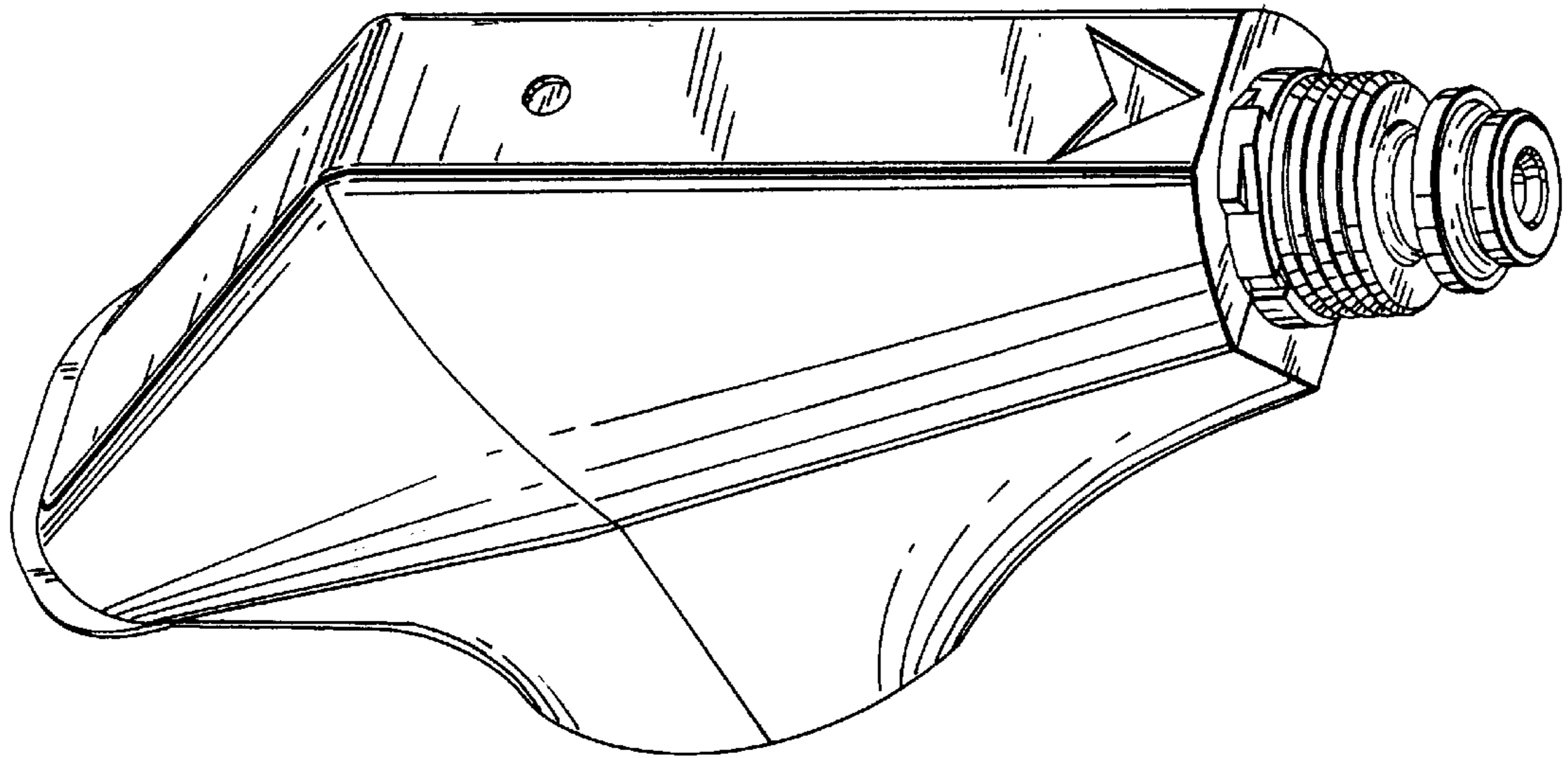


FIG. 1

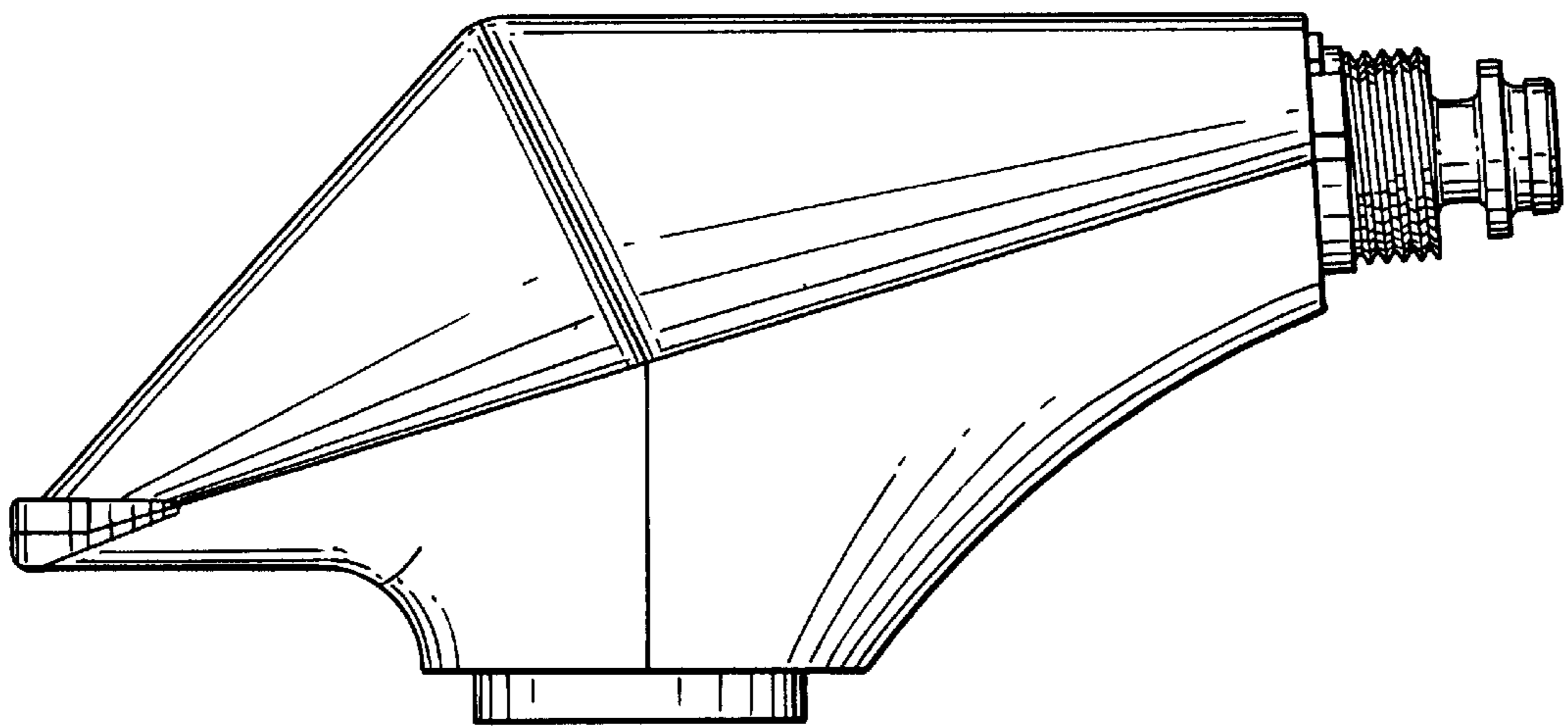


FIG. 2

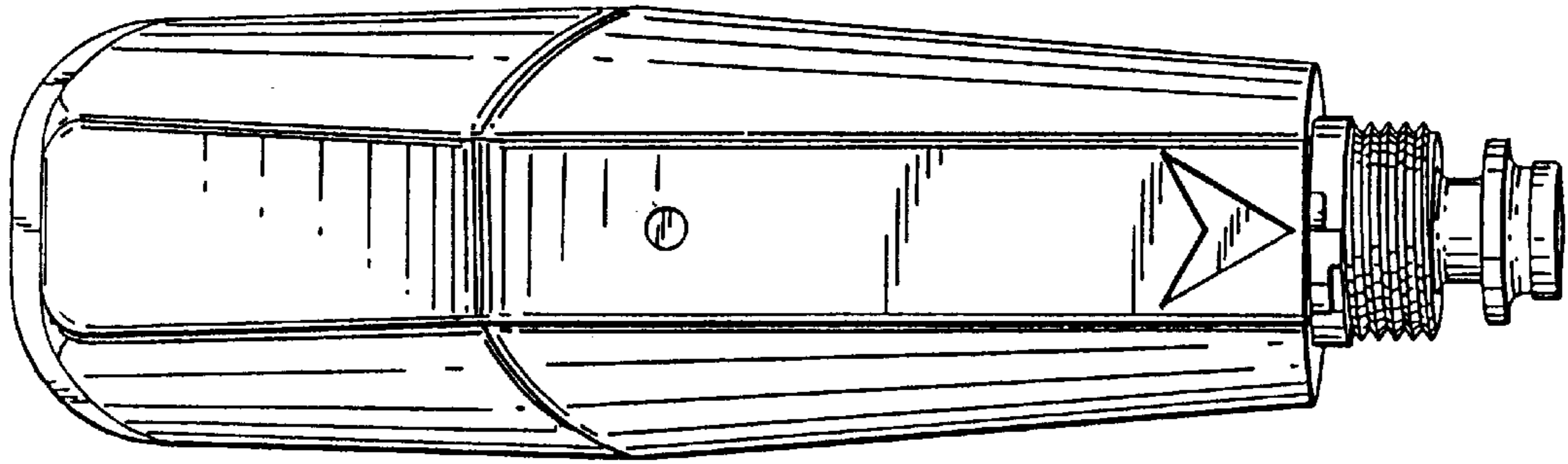


FIG. 3

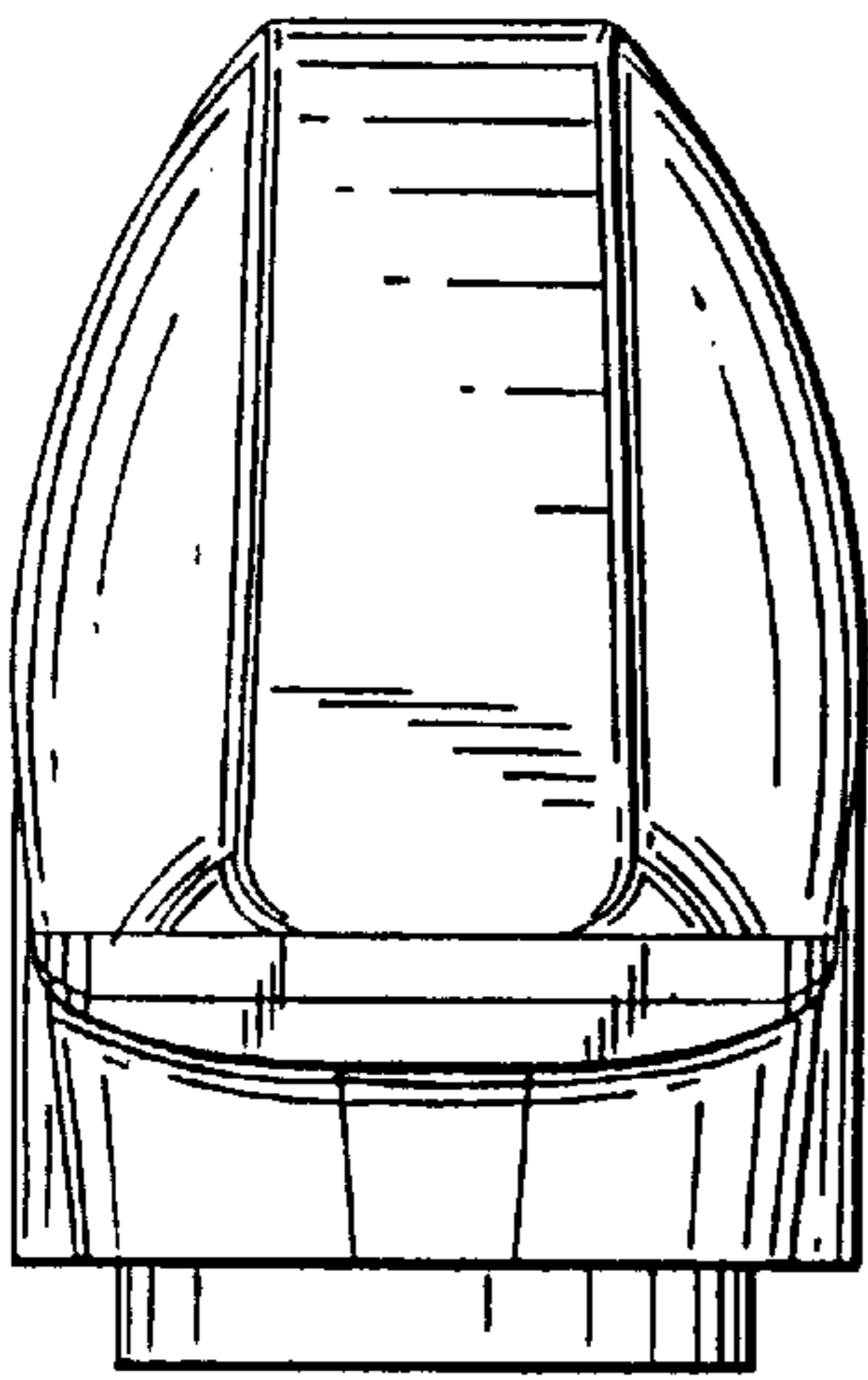


FIG. 4

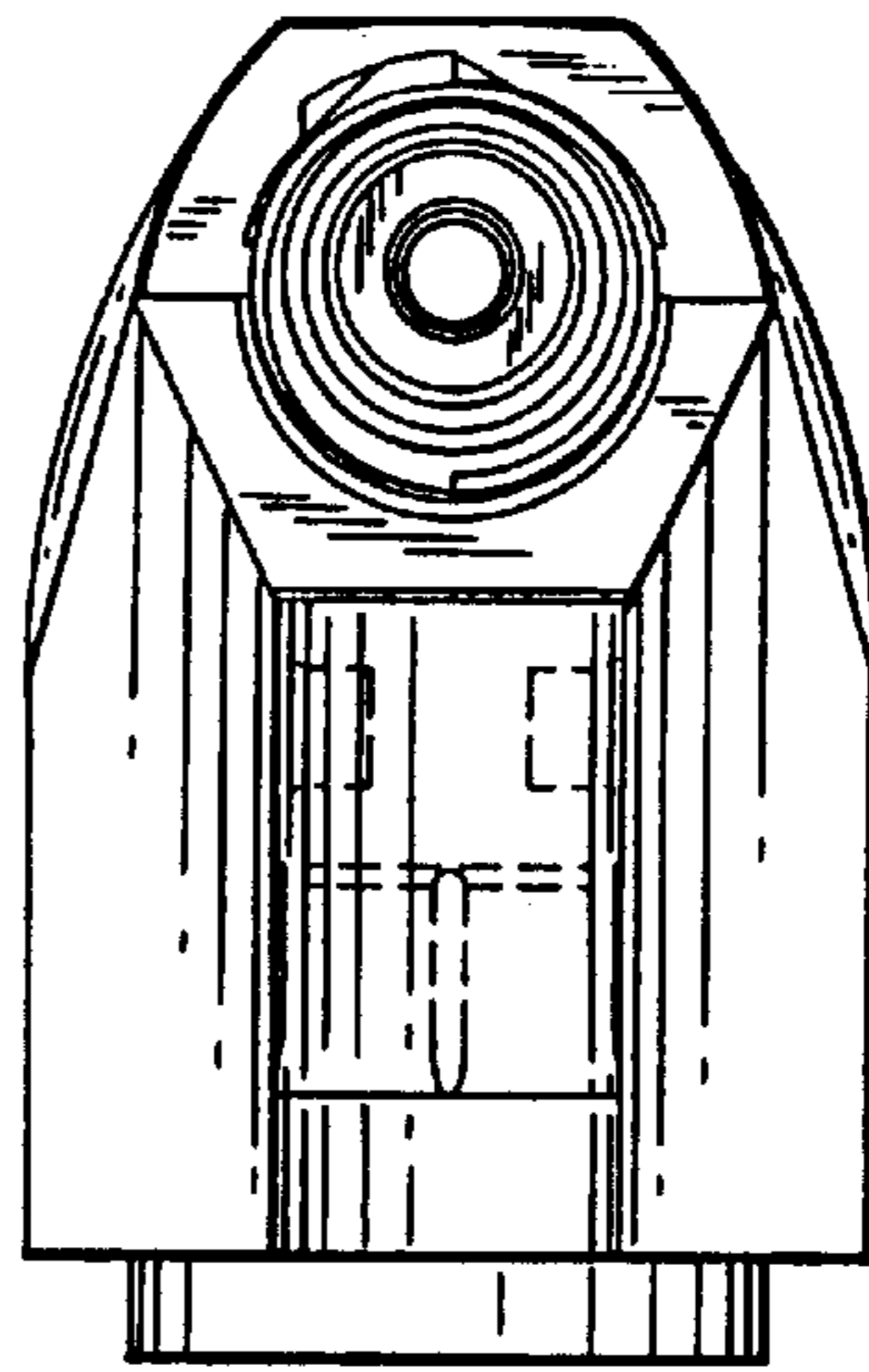


FIG. 5

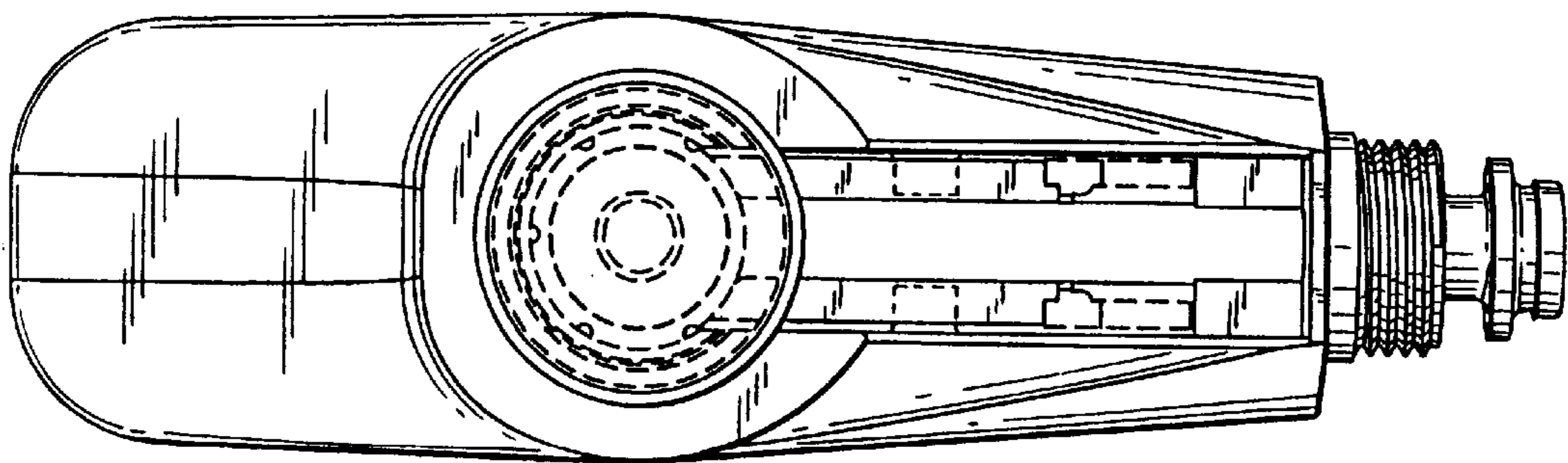


FIG. 6