



US00D424930S

United States Patent [19]
Crawford

[11] **Patent Number: Des. 424,930**

[45] **Date of Patent: ** May 16, 2000**

[54] **DISPENSER**

Attorney, Agent, or Firm—Michael McGreal

[75] Inventor: **John C. Crawford**, Mahopac, N.Y.

[57] **CLAIM**

[73] Assignee: **Colgate-Palmolive Company**, New York, N.Y.

The ornamental design for a dispenser, as shown and described.

[**] Term: **14 Years**

DESCRIPTION

[21] Appl. No.: **29/082,390**

FIG. 1 is an exploded perspective view of my design for a dispenser.

[22] Filed: **Jan. 21, 1998**

FIG. 2 is an exploded right side elevational view thereof, the left side view being a mirror image;

[51] **LOC (7) Cl.** **09-07**

FIG. 3 is an exploded front elevation view thereof.

[52] **U.S. Cl.** **D9/338**

FIG. 4 is an exploded rear elevation view thereof.

[58] **Field of Search** D9/337, 338, 339, D9/503, 517-520, 529, 571-575; D28/7, 76, 82; 401/95, 172, 175, 176, 179, 213

FIG. 5 is a top plan view thereof.

FIG. 6 is a bottom plan view thereof.

[56] **References Cited**

FIG. 7 is a top plan view of the surface of the dispenser without the cap, shown separately for clarity of illustration;

FIG. 8 is a top plan view of the surface of the dispenser without the cap of a second embodiment of FIG. 7, shown separately for clarity of illustration; and,

U.S. PATENT DOCUMENTS

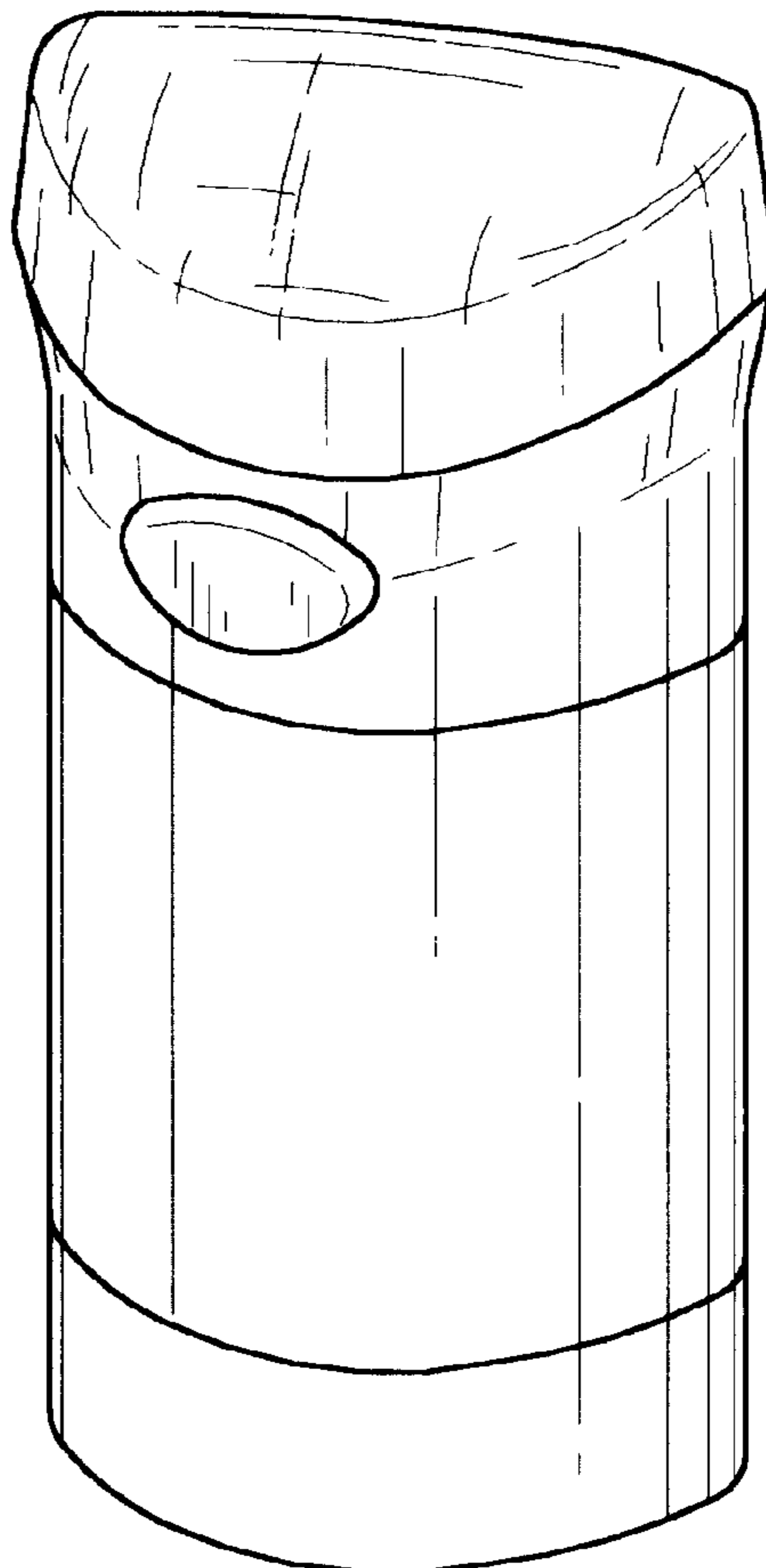
D. 308,476	6/1990	Rosenberg	D9/338
D. 317,832	7/1991	Demarest	D9/529 X
D. 332,914	2/1993	Stephens	D9/338
D. 369,098	4/1996	Dinand	D9/574 X
718,969	1/1903	Altshul	401/176
4,588,320	5/1986	Weinstein	401/209 X
5,051,016	9/1991	Bengston	401/213

FIG. 9 is a top plan view of the surface of the dispenser without the cap of a third embodiment of FIG. 7, shown separately for clarity of illustration.

The remaining views of the second and third embodiments are identical to the first embodiment except for the surface of the dispenser.

Primary Examiner—Ted Shooman
Assistant Examiner—Nanda Bondade

1 Claim, 4 Drawing Sheets



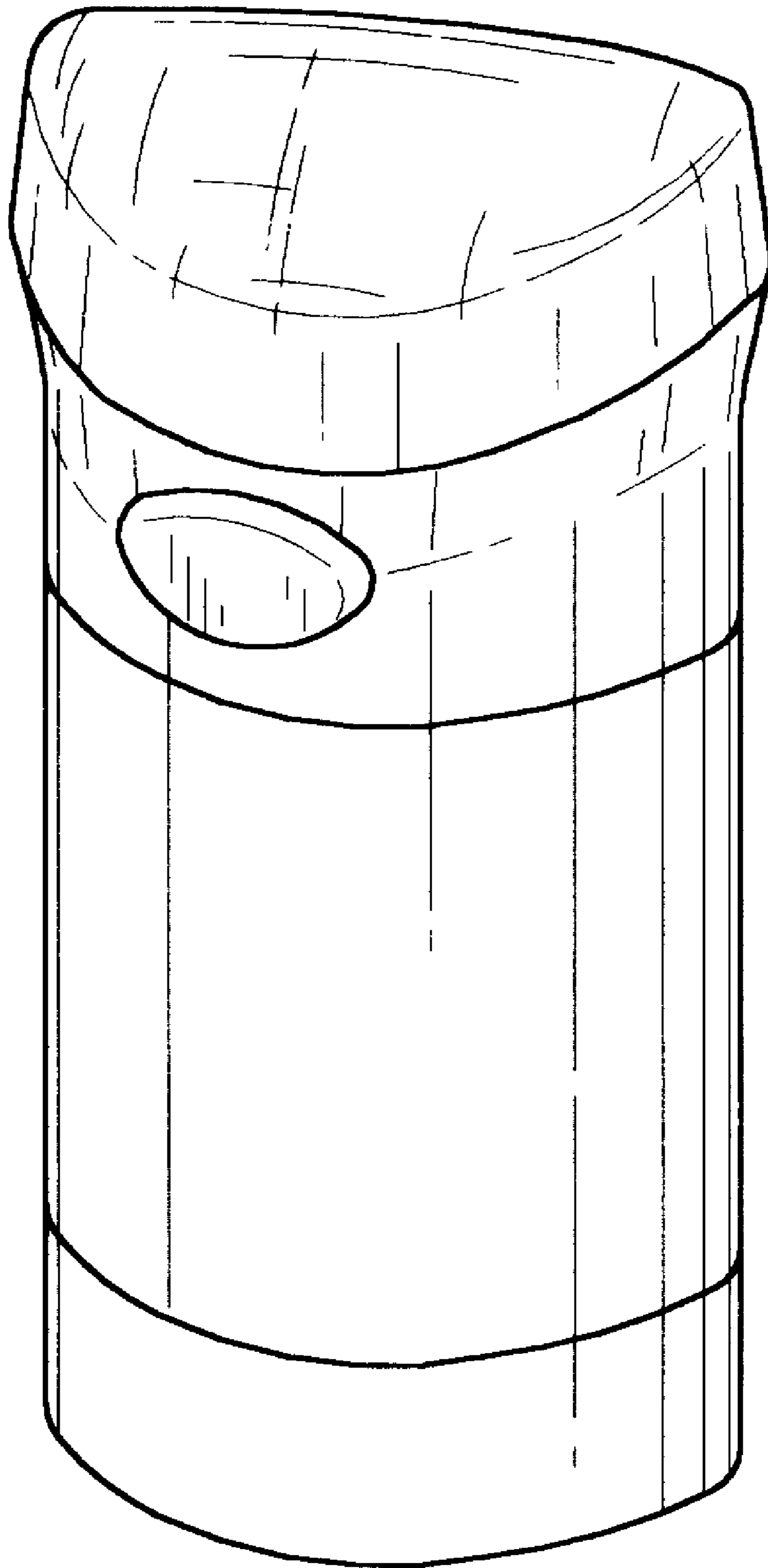


FIG. 1

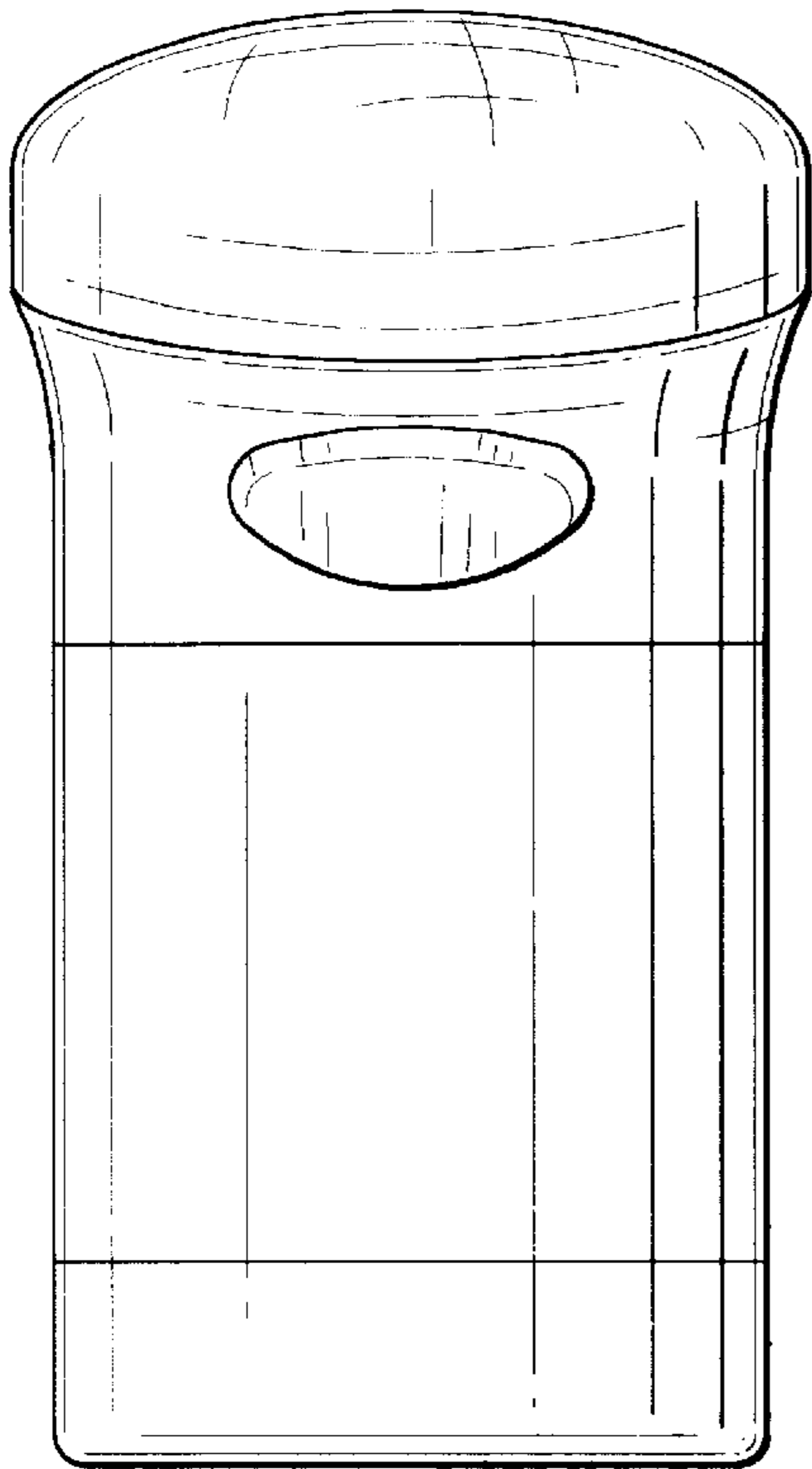


FIG. 2

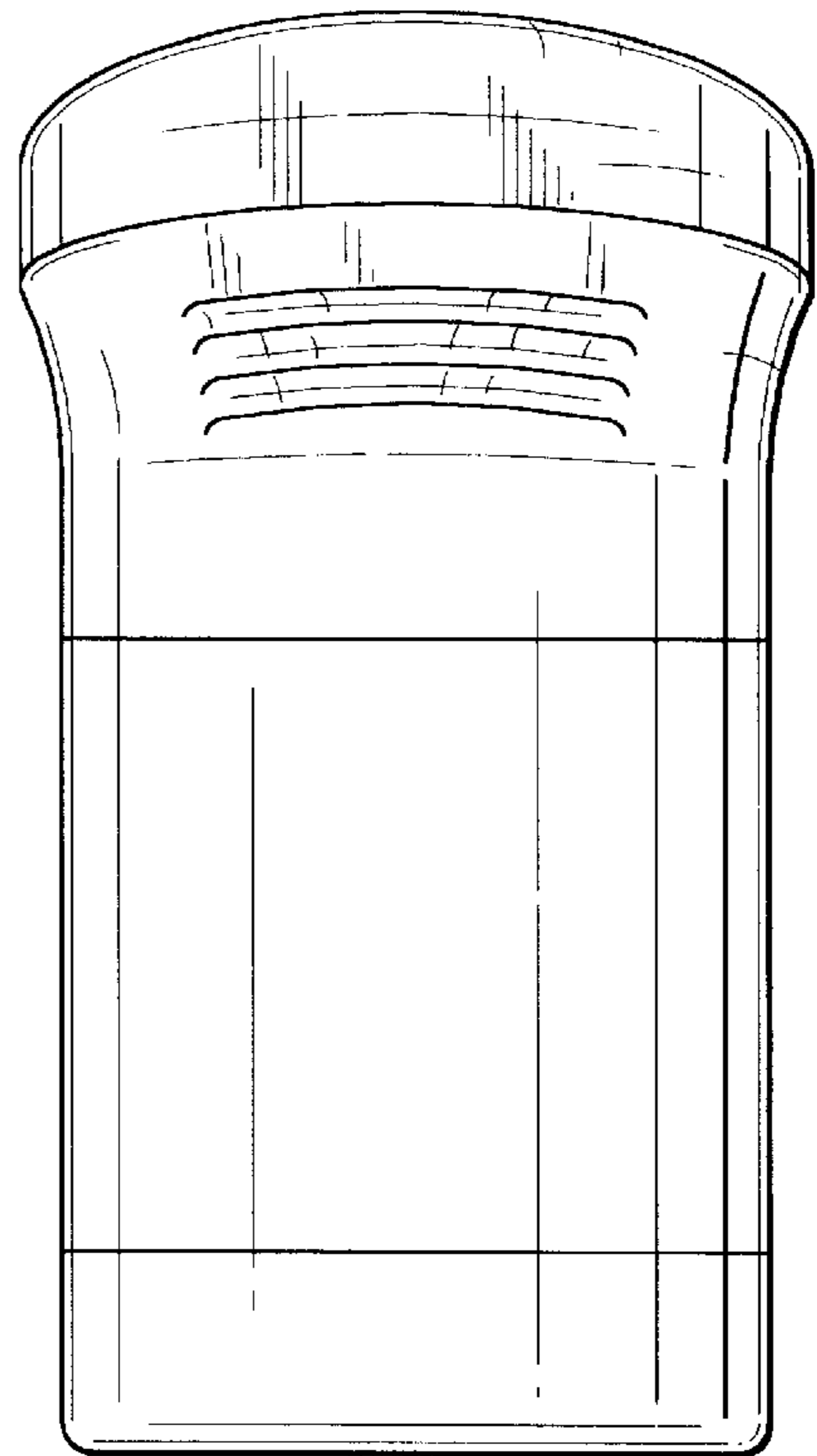


FIG. 3

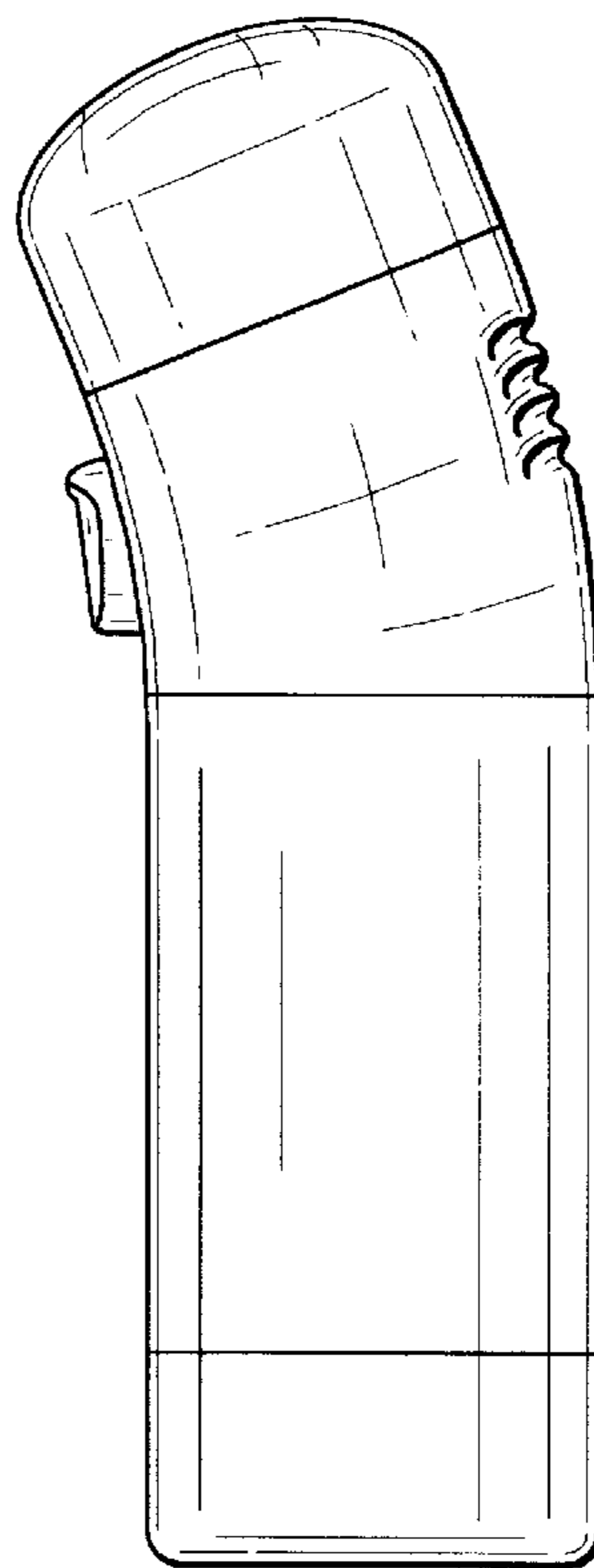


FIG. 4

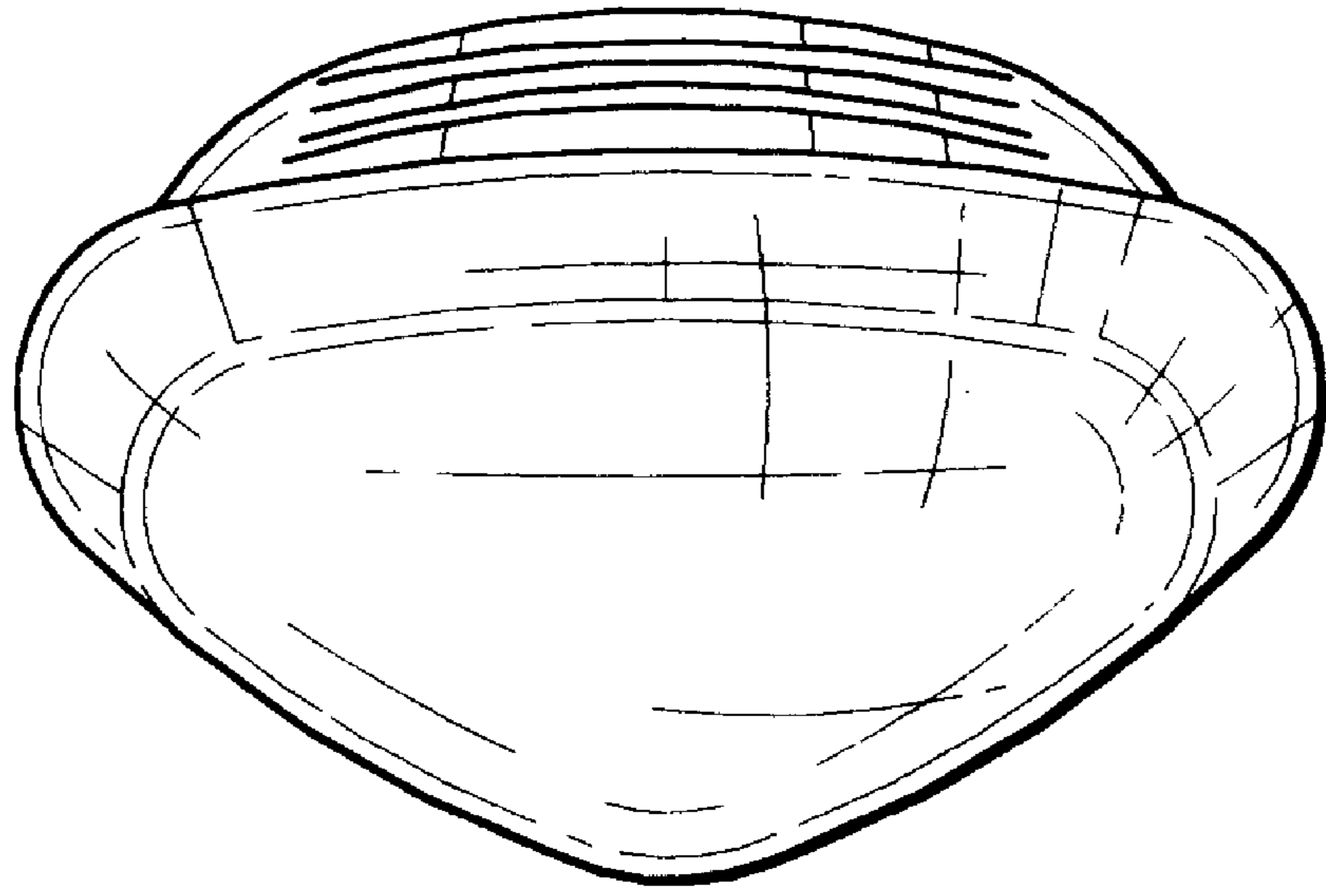


FIG. 5

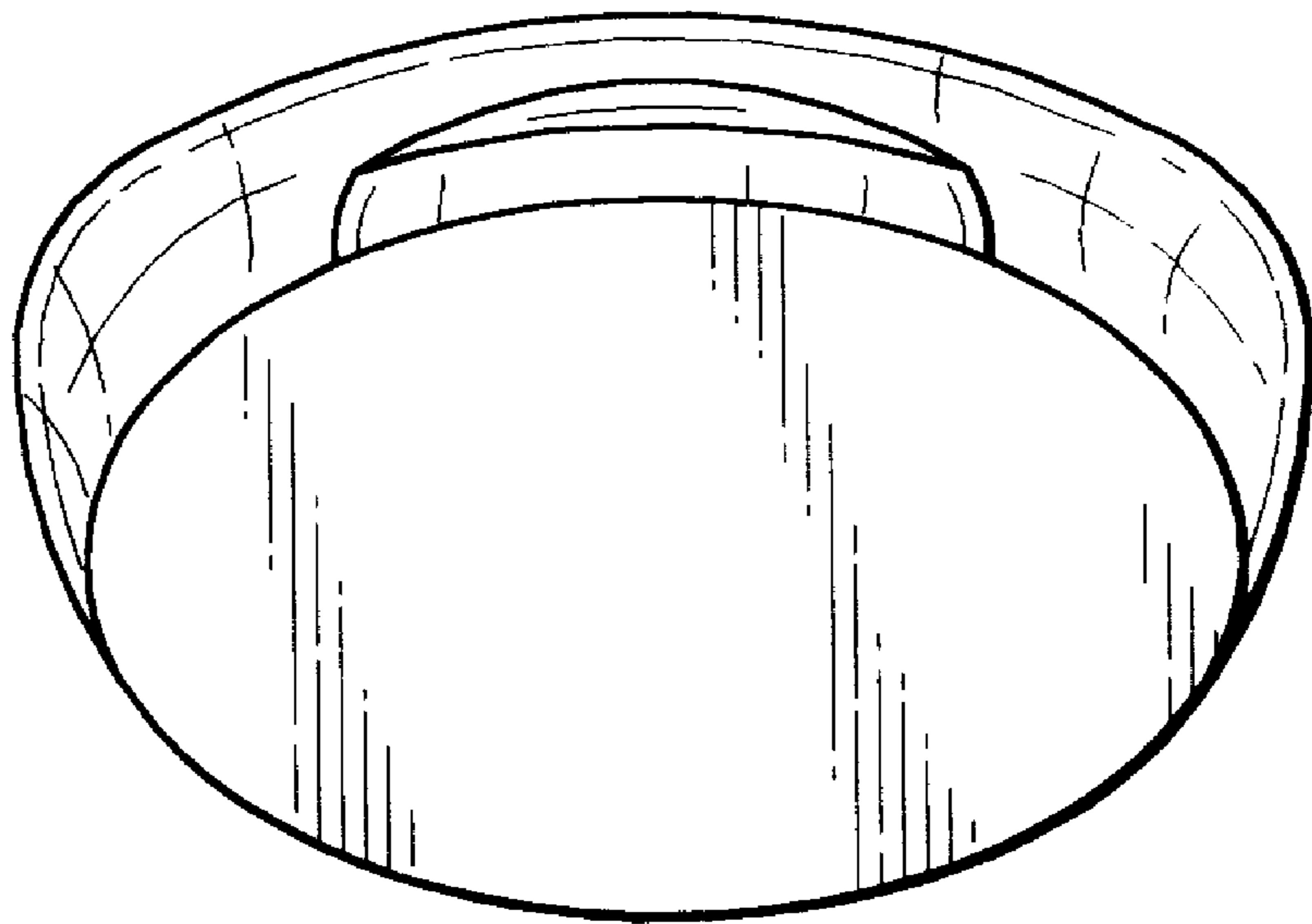


FIG. 6

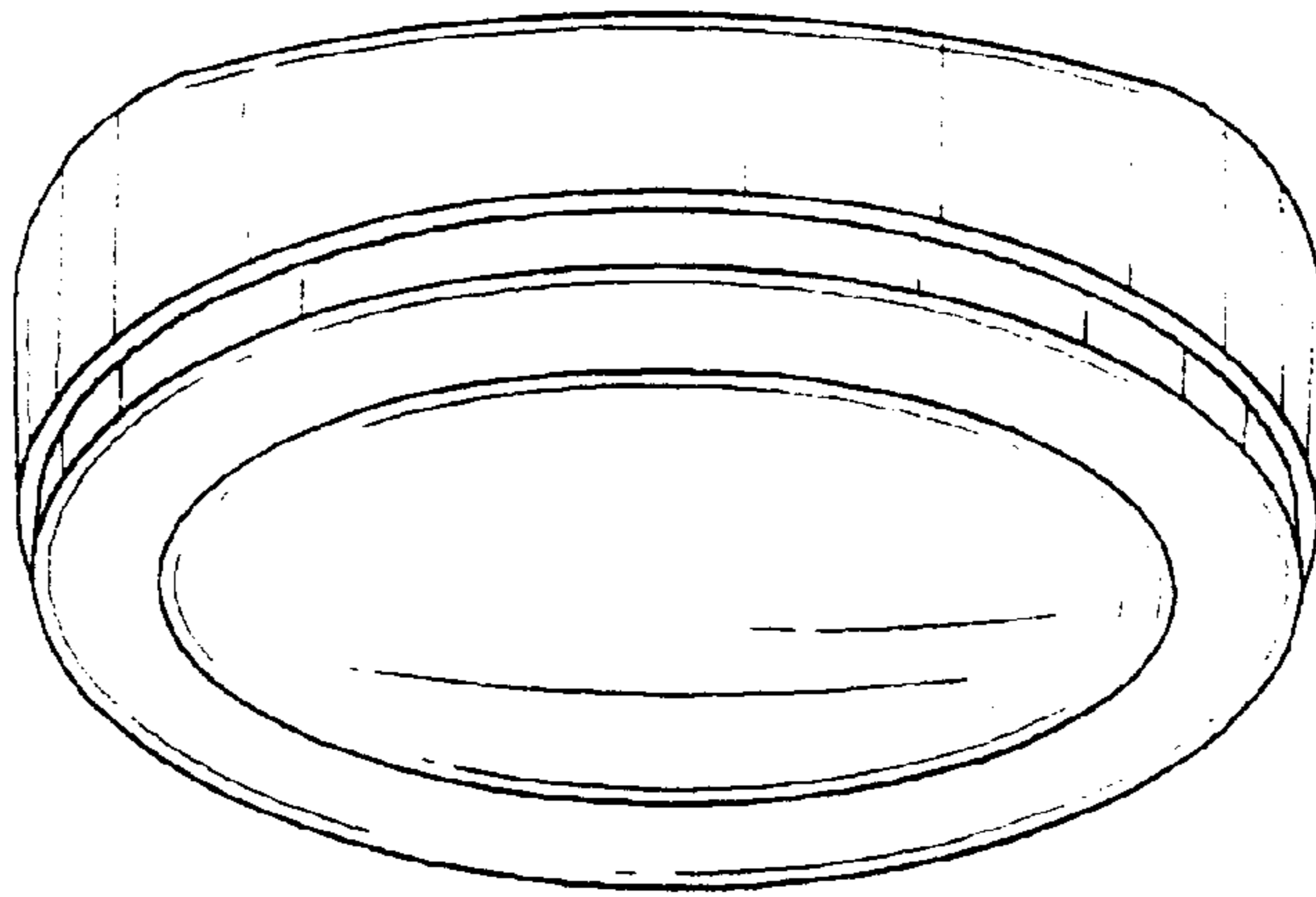


FIG. 7

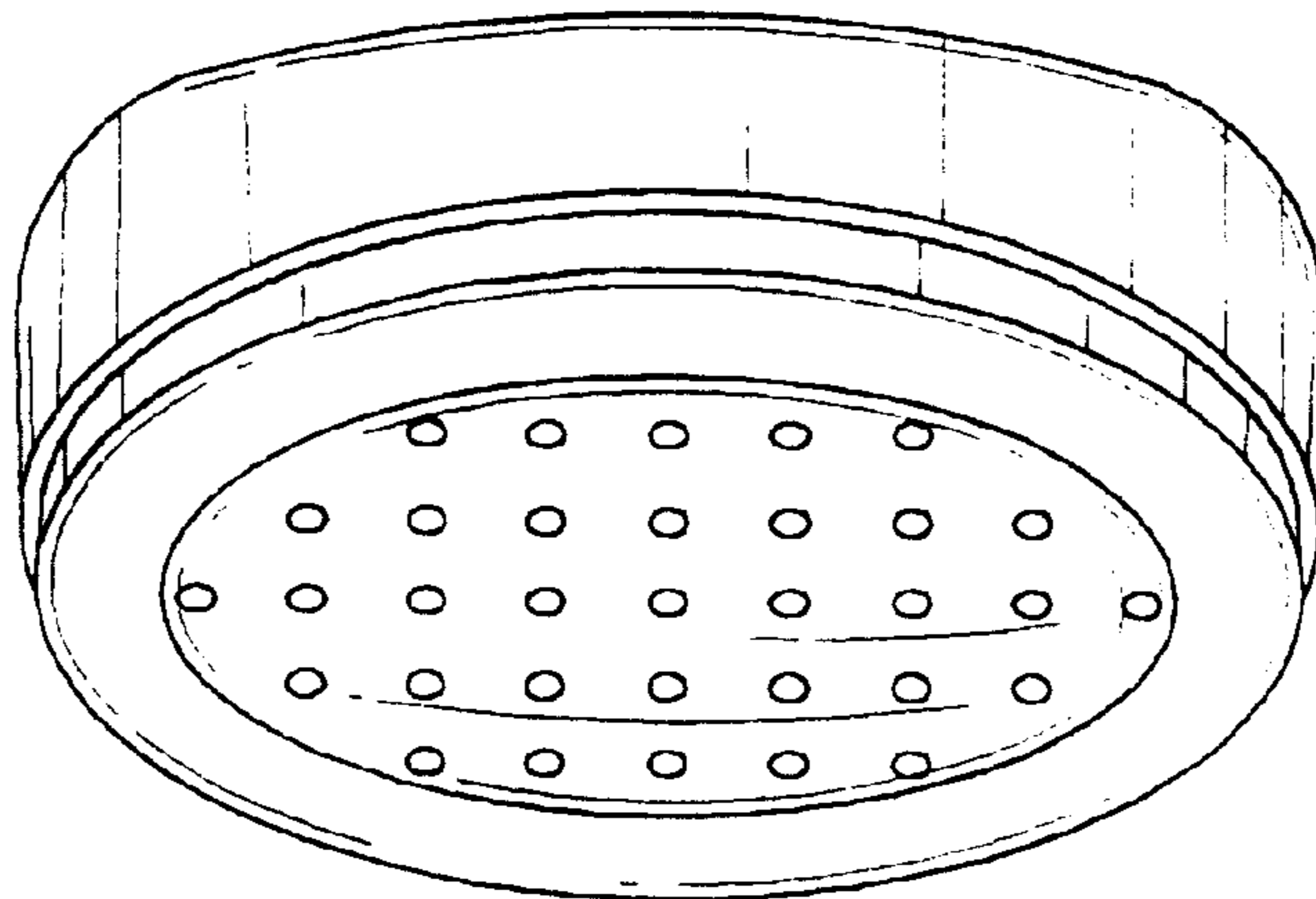


FIG. 8

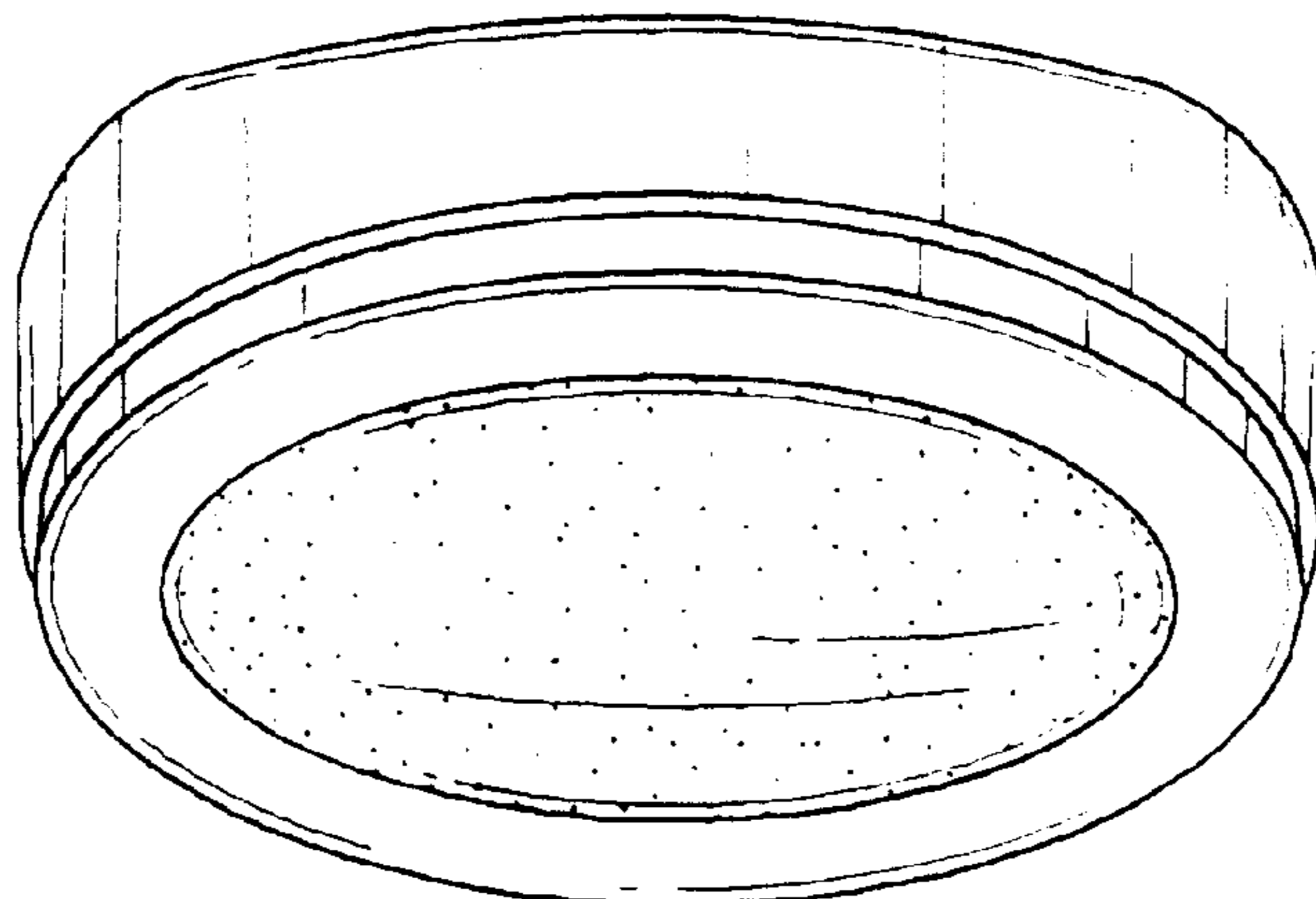


FIG. 9

UNITED STATES PATENT AND TRADEMARK OFFICE
CERTIFICATE OF CORRECTION

PATENT NO. : Des. 424,930
DATED : May 16, 2000
INVENTOR(S) : John C. Crawford

Page 1 of 6

It is certified that error appears in the above-identified patent and that said Letters Patent is hereby corrected as shown below:

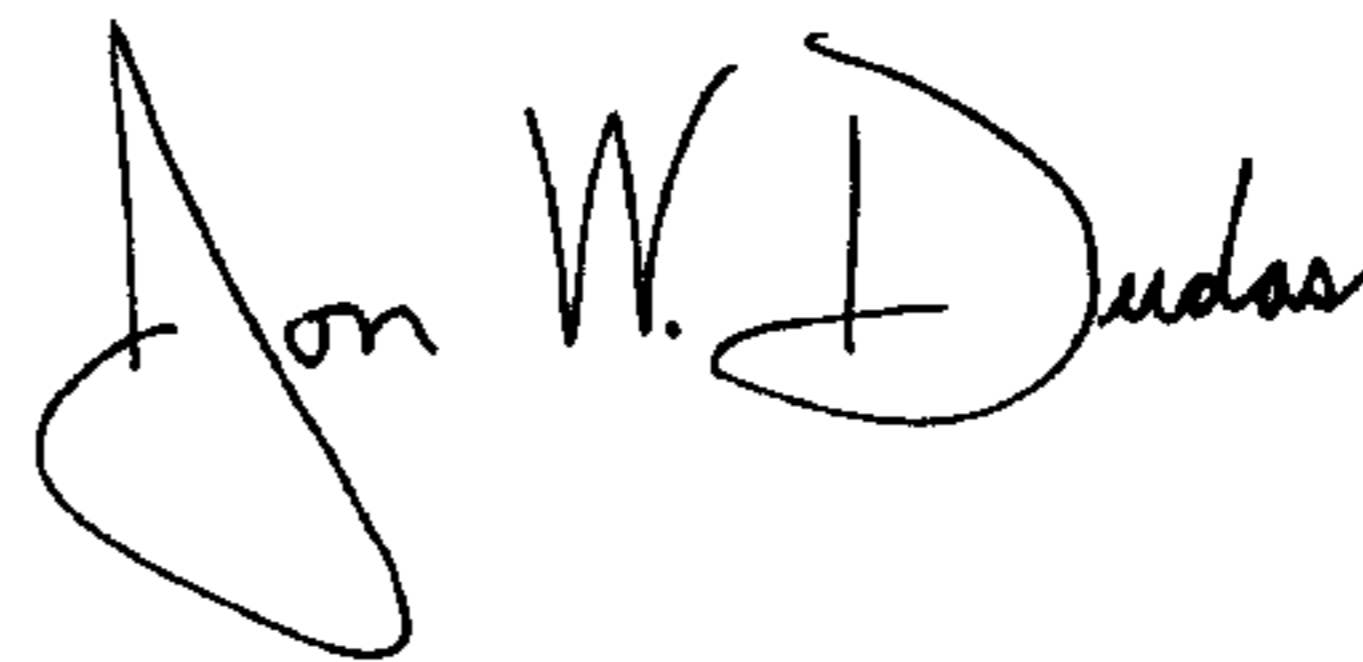
The title page should be deleted and substitute therefore the title page as shown on the attached page.

Drawings.

Delete Drawing Sheets 1-4, and substitute therefore the Drawing Sheets, consisting of Figs. 1-9, as shown on the attached pages.

Signed and Sealed this

Seventeenth Day of February, 2004

A handwritten signature in black ink that reads "Jon W. Dudas". The signature is written in a cursive style with a large, looped initial "J".

JON W. DUDAS
Acting Director of the United States Patent and Trademark Office

United States Patent [19]
Crawford

[11] **Patent Number: Des. 424,930**
 [45] **Date of Patent: ** May 16, 2000**

[54] **DISPENSER**

Attorney, Agent, or Firm—Michael McGreal

[75] Inventor: **John C. Crawford, Mahopac, N.Y.**

[57] **CLAIM**

[73] Assignee: **Colgate-Palmolive Company, New York, N.Y.**

The ornamental design for a dispenser, as shown and described.

[**] Term: **14 Years**

DESCRIPTION

[21] Appl. No.: **29/082,390**

FIG. 1 is an exploded perspective view of my design for a dispenser.

[22] Filed: **Jan. 21, 1998**

FIG. 2 is an exploded right side elevational view thereof, the left side view being a mirror image;

[51] **LOC (7) Cl. 09-07**

FIG. 3 is an exploded front elevation view thereof.

[52] **U.S. Cl. D9/338**

FIG. 4 is an exploded rear elevation view thereof.

[58] **Field of Search D9/337, 338, 339, D9/503, 517-520, 529, 571-575; D28/7, 76, 82; 401/95, 172, 175, 176, 179, 213**

FIG. 5 is a top plan view thereof.

FIG. 6 is a bottom plan view thereof.

[56] **References Cited**

FIG. 7 is a top plan view of the surface of the dispenser without the cap, shown separately for clarity of illustration;

U.S. PATENT DOCUMENTS

FIG. 8 is a top plan view of the surface of the dispenser without the cap of a second embodiment of FIG. 7, shown separately for clarity of illustration; and,

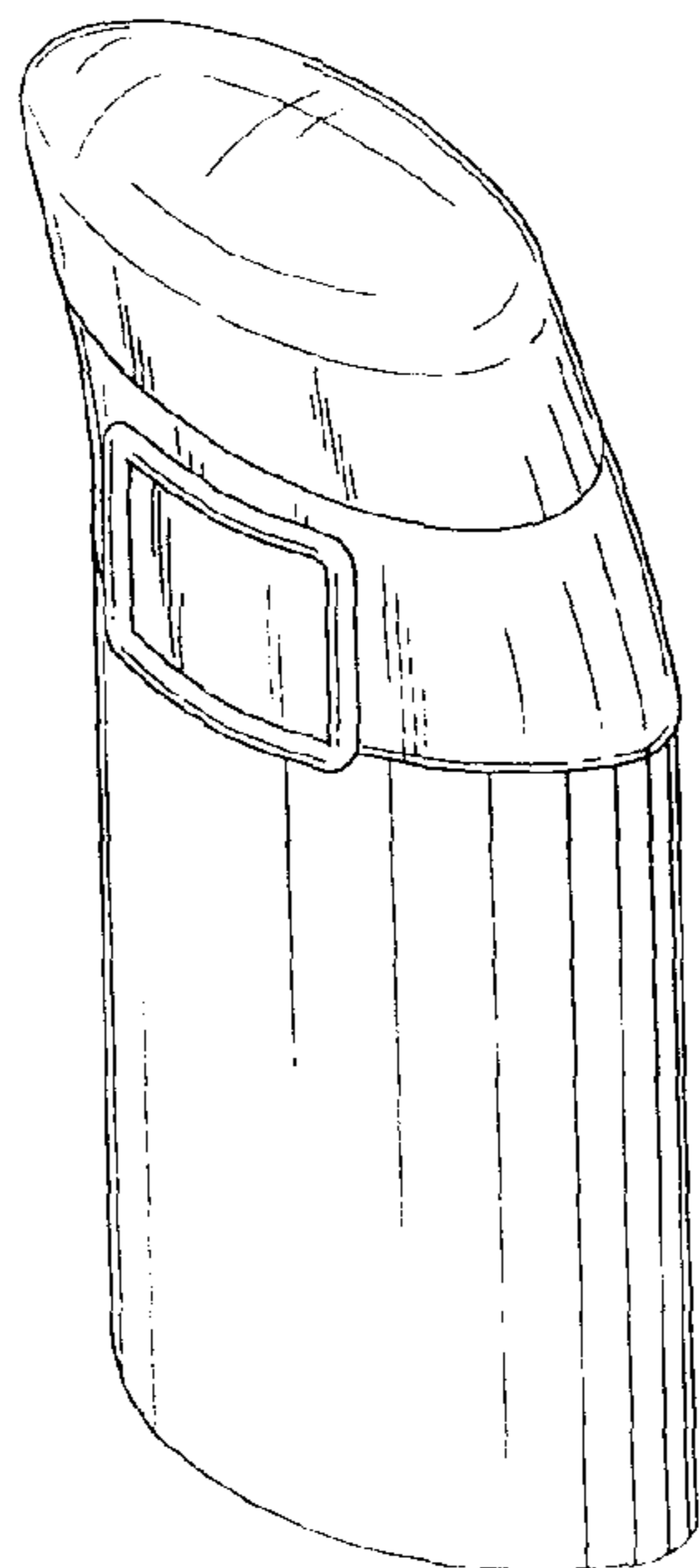
D. 308,476	6/1990	Rosenberg	D9/338
D. 317,832	7/1991	Demarest	D9/529 X
D. 332,914	2/1993	Stephens	D9/338
D. 369,098	4/1996	Dinand	D9/574 X
718,969	1/1903	Altshul	401/176
4,588,320	5/1986	Weinstein	401/209 X
5,051,016	9/1991	Bengston	401/213

FIG. 9 is a top plan view of the surface of the dispenser without the cap of a third embodiment of FIG. 7, shown separately for clarity of illustration.

The remaining views of the second and third embodiments are identical to the first embodiment except for the surface of the dispenser.

Primary Examiner—Ted Shooman
Assistant Examiner—Nanda Bondade

1 Claim, 4 Drawing Sheets

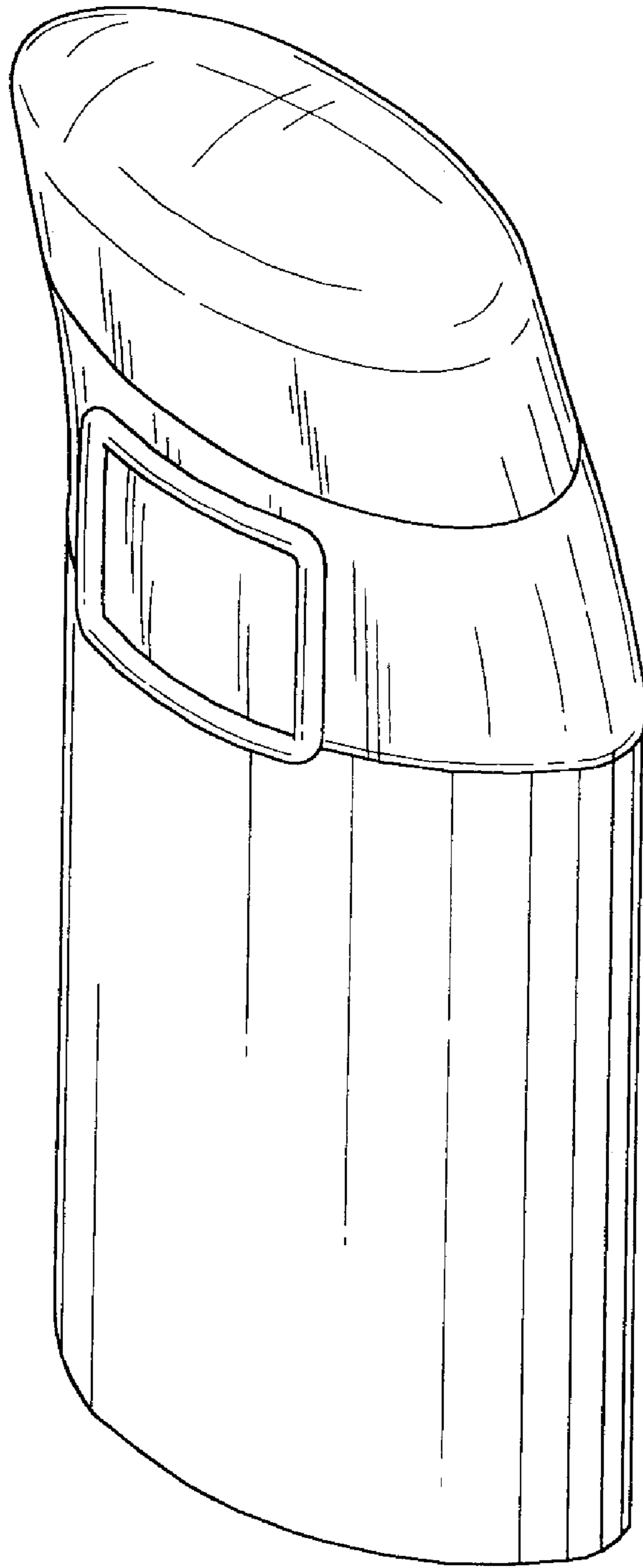


U.S. Patent

May 16, 2000

Sheet 1 of 4

Des 424,930



U.S. Patent

May 16, 2000

Sheet 2 of 4

Des 424,930

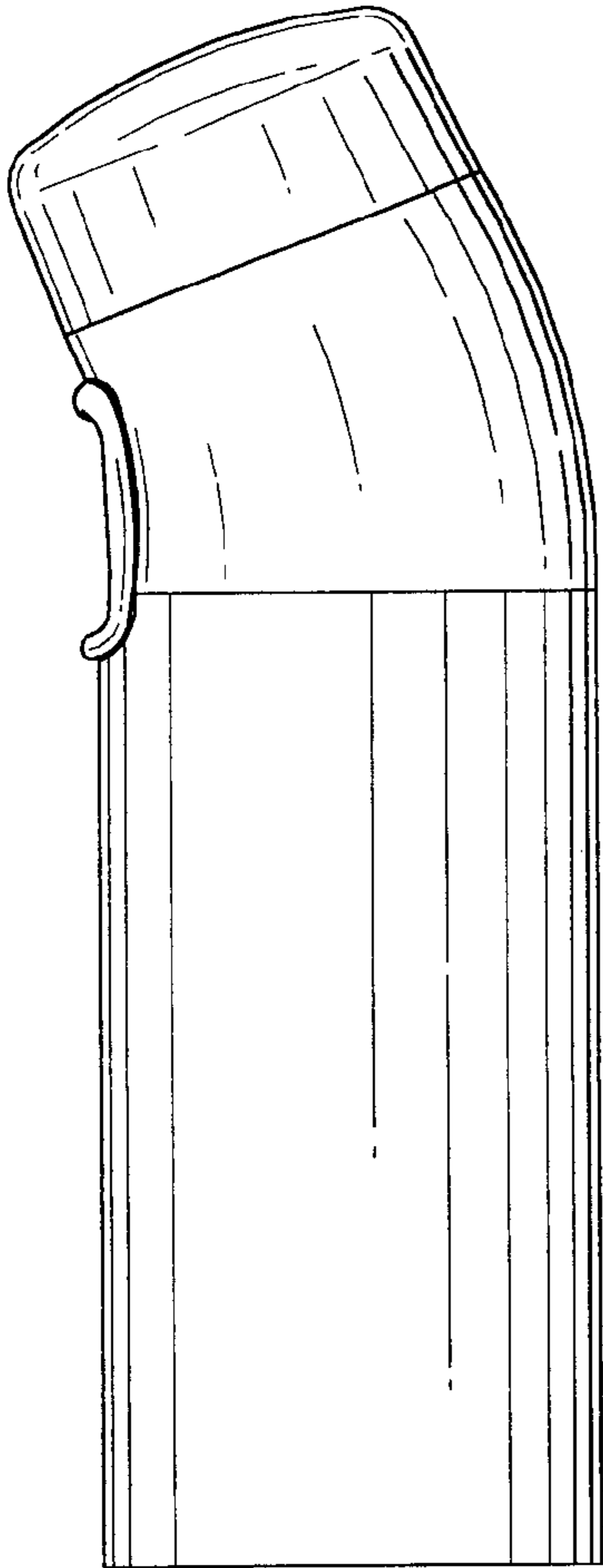


FIG. 2

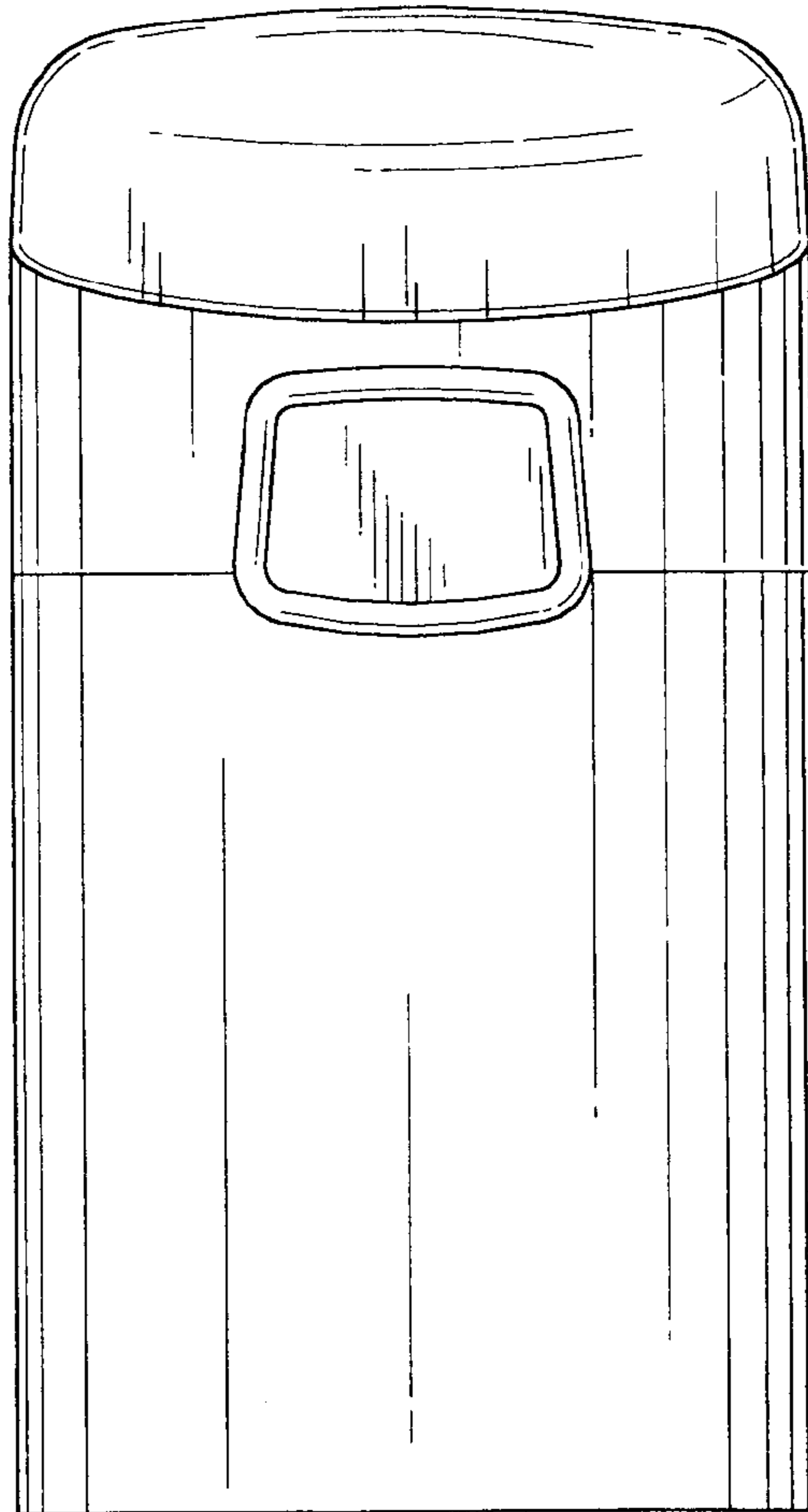


FIG. 3

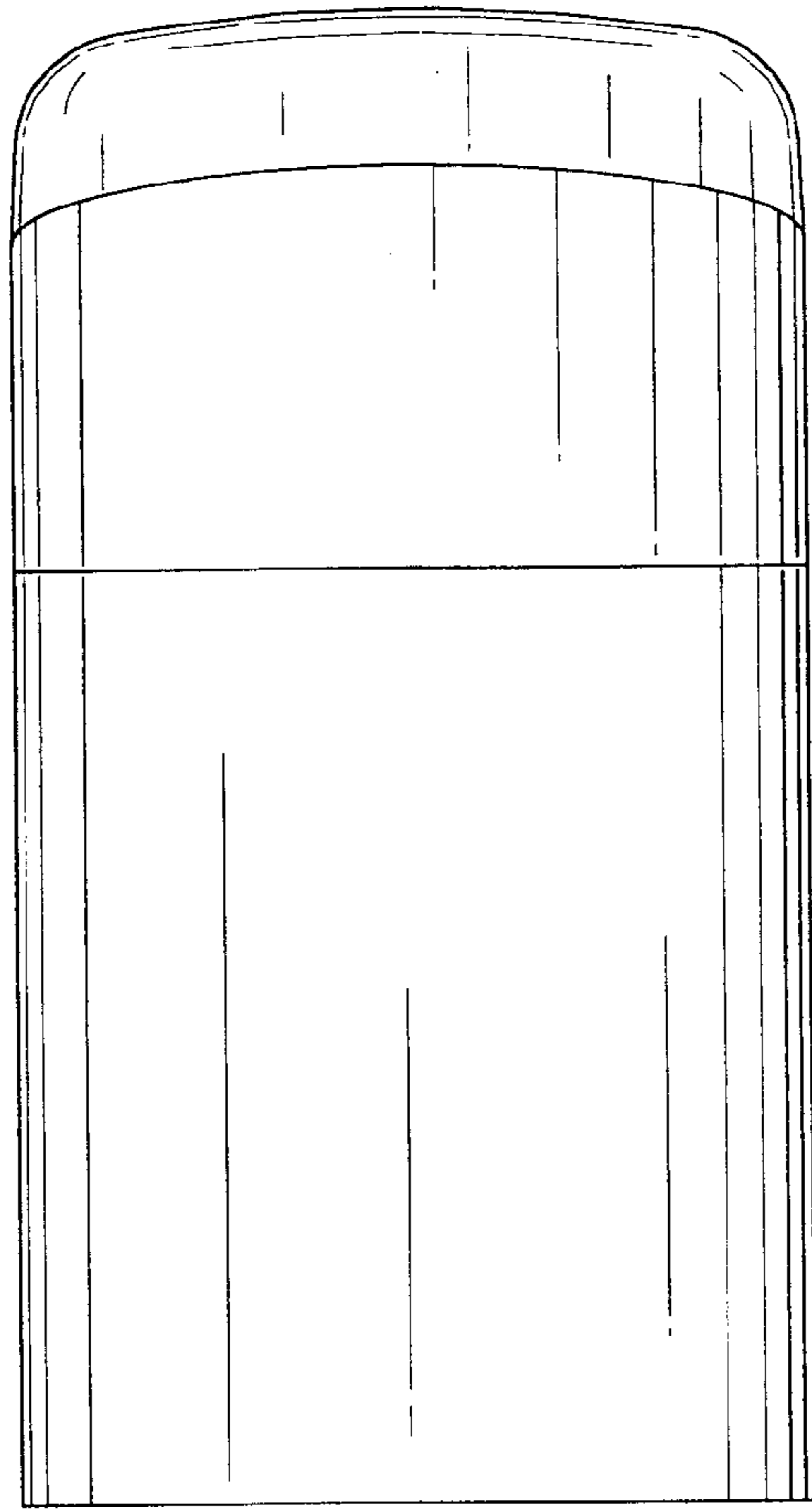


FIG. 4

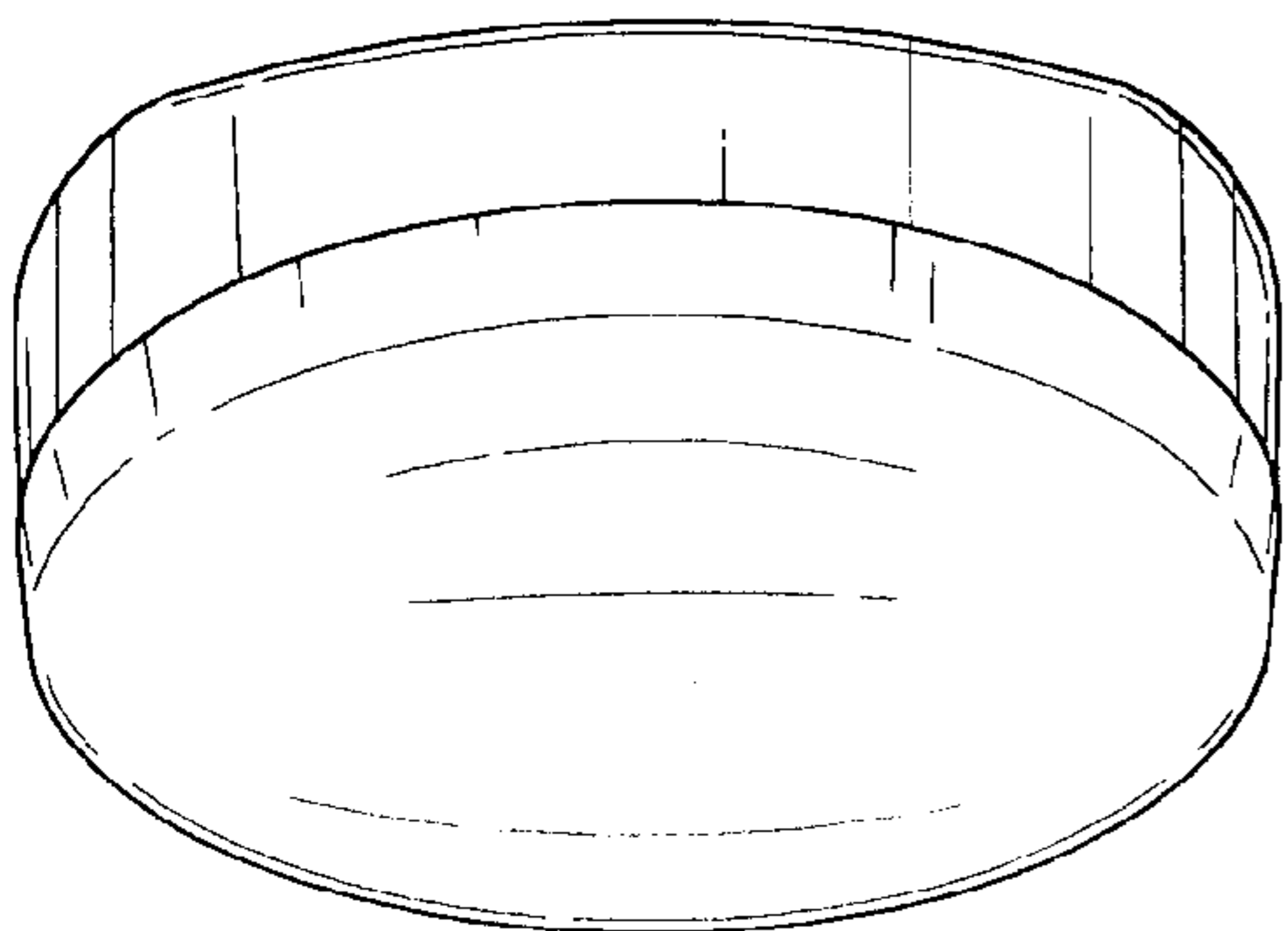


FIG. 5

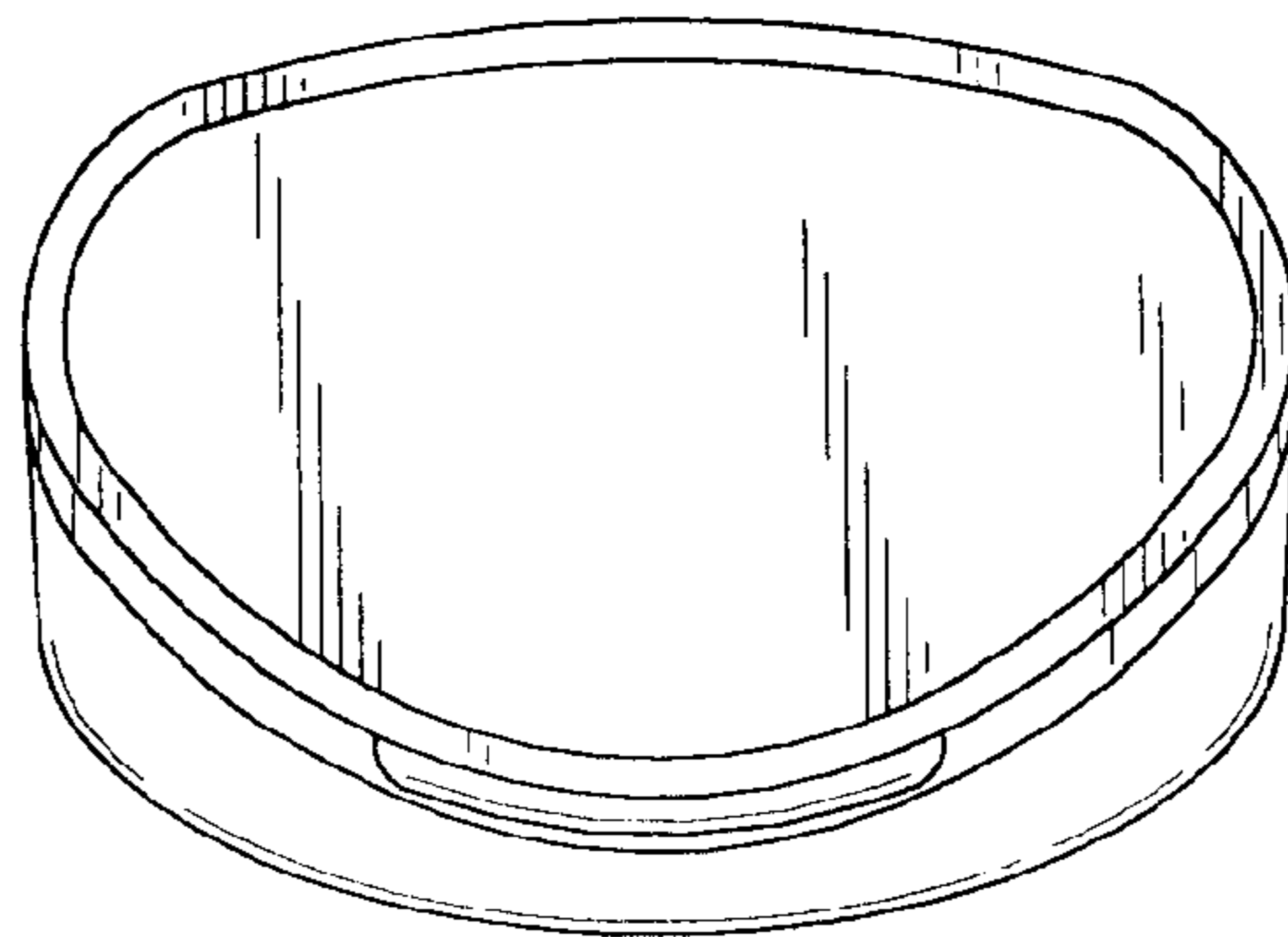


FIG. 6

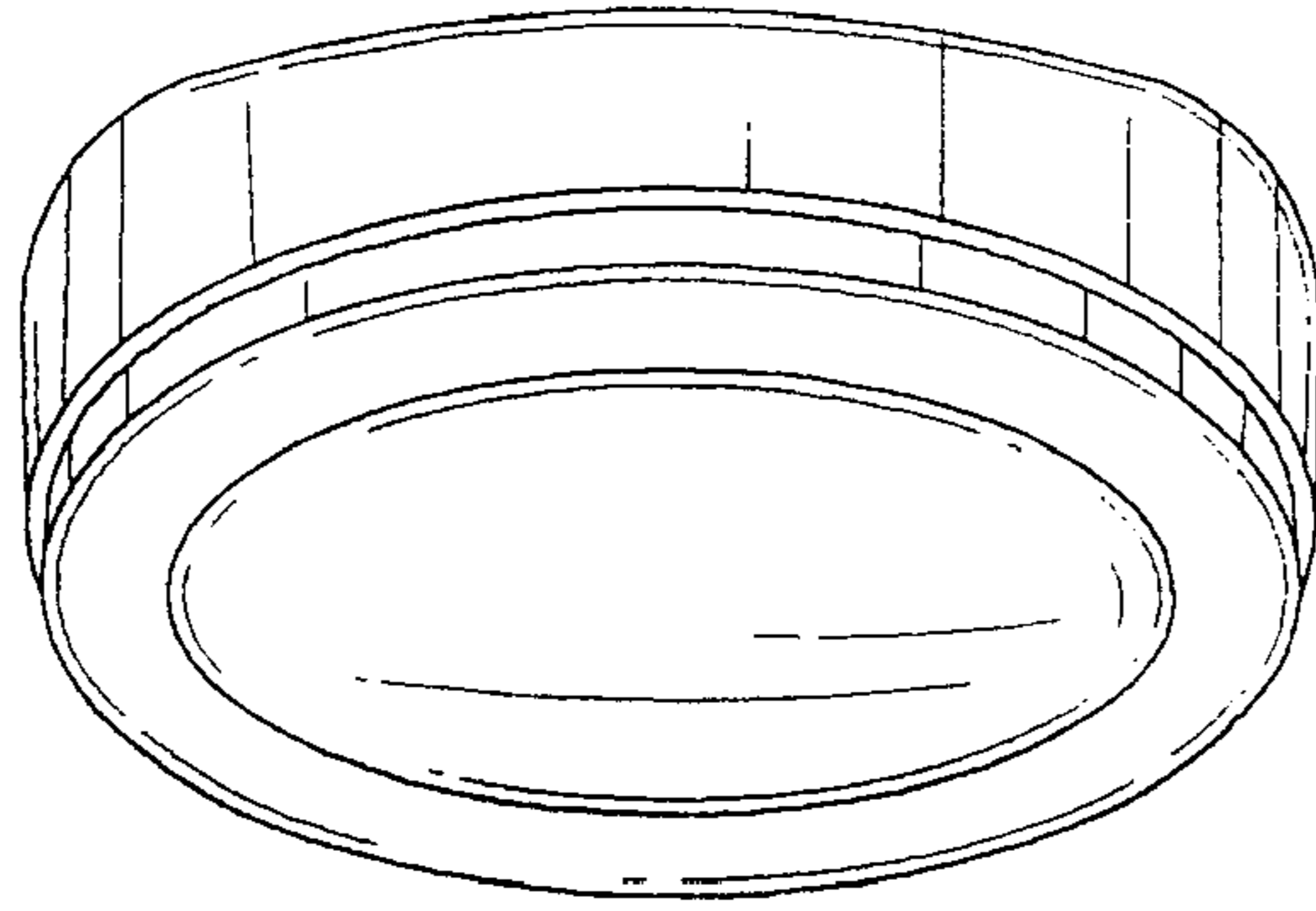


FIG. 7

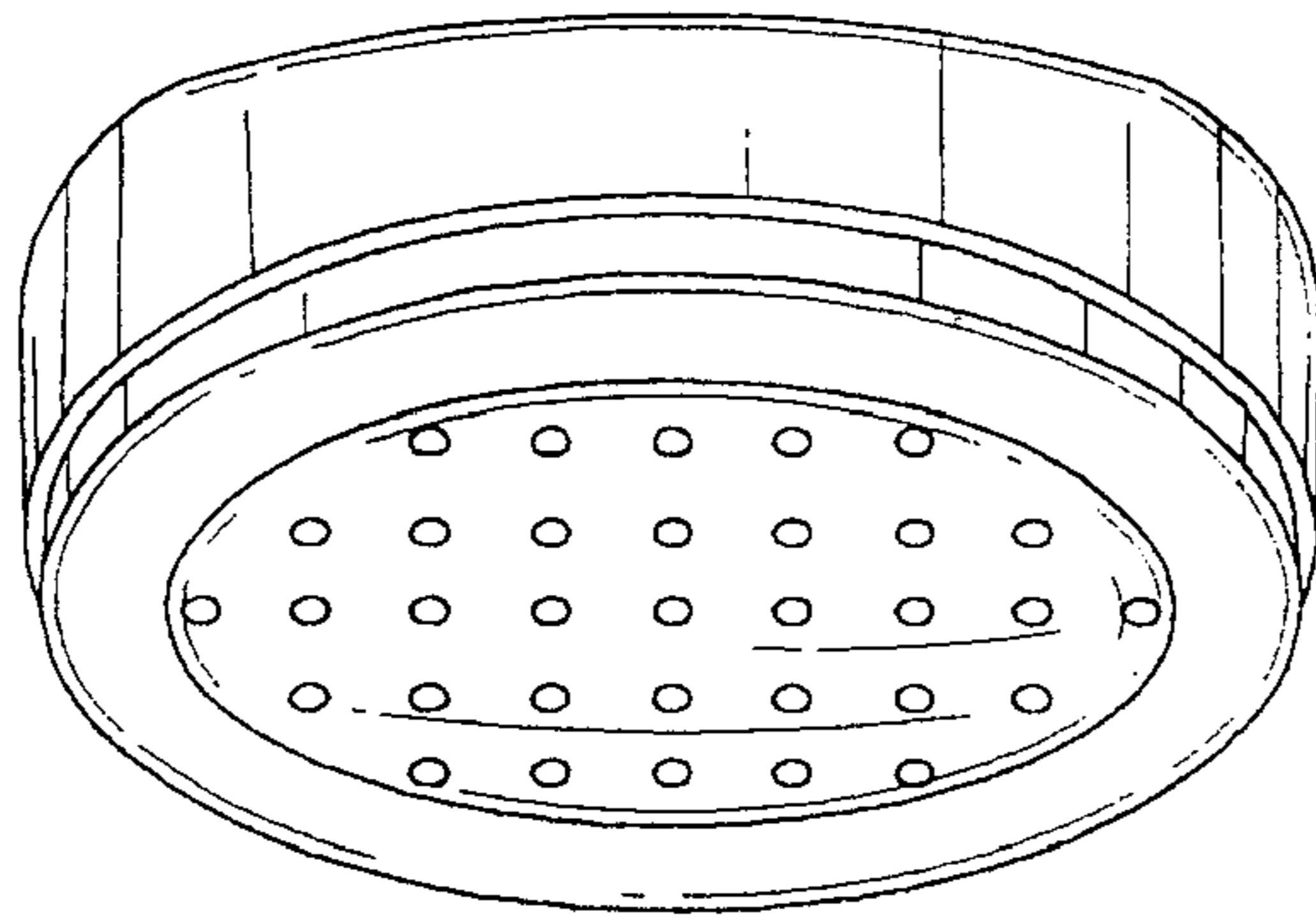


FIG. 8

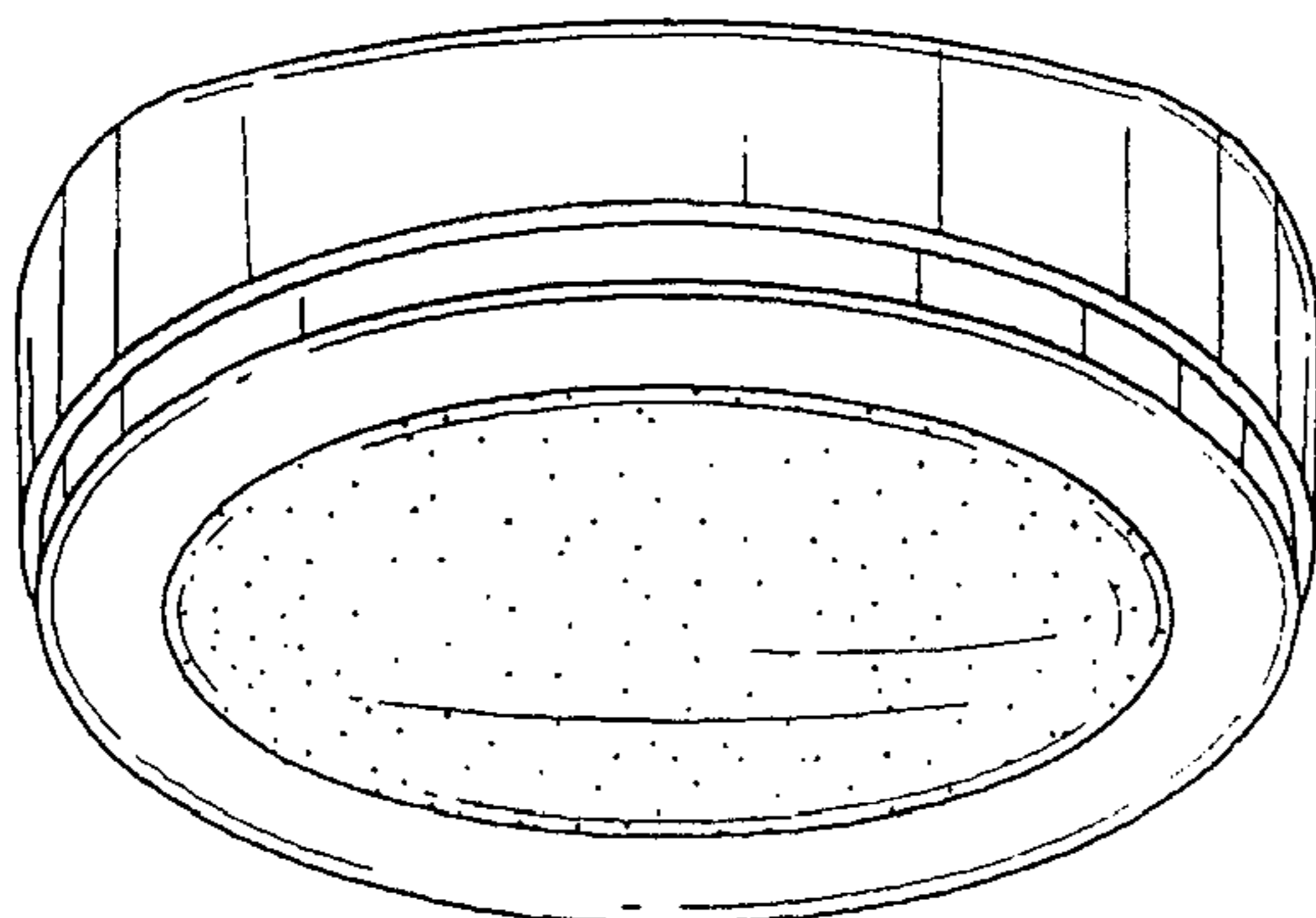


FIG. 9