



US00D424922S

United States Patent [19]

Sherman et al.

[11] Patent Number: **Des. 424,922**

[45] Date of Patent: **** May 16, 2000**

[54] **COMBINED CLIP DEVICE AND SUPPORT FOR ELONGATE MEMBERS**

[75] Inventors: **Clarence A. Sherman**, Birmingham; **Joseph Craig**, Farmington; **Marc Craig**, Brighton, all of Mich.

[73] Assignee: **ZSI, L.L.C.**, Westland, Mich.

[**] Term: **14 Years**

[21] Appl. No.: **29/102,002**

[22] Filed: **Mar. 16, 1999**

[51] **LOC (7) Cl.** **08-08**

[52] **U.S. Cl.** **D8/395; D8/396**

[58] **Field of Search** **D8/394-396; 248/65, 248/71, 70, 73, 74.2, 316.7; 24/16 R, 168 B**

[56] **References Cited**

U.S. PATENT DOCUMENTS

D. 347,384	5/1994	White	D8/395
3,163,712	12/1964	Cochran	.	
3,429,985	2/1969	Czigleu	.	
3,516,631	6/1970	Santucci	.	

4,317,262	3/1982	Wells, Jr.	24/16 PB
4,439,896	4/1984	Matsui	24/16 PB
4,609,171	9/1986	Matsui	248/74.2
5,020,749	6/1991	Kraus	248/74.2

Primary Examiner—B. J. Bullock
Attorney, Agent, or Firm—Harness, Dickey & Pierce, P.L.C.

[57] **CLAIM**

The ornamental design for a combined clip device and support for elongate members, as shown and described.

DESCRIPTION

FIG. 1 is a front, top, right side perspective view of the combined clip device and support for elongate members; FIG. 2 is a view from above with the clip unsecured; FIG. 3 is a view from the right hand side with the clip unsecured; FIG. 4 is a view from the rear side with the clip unsecured; FIG. 5 is a view from the left hand side with the clip unsecured; FIG. 6 is a view from the front with the clip unsecured; FIG. 7 is a bottom plan view; and, FIG. 8 is a view from the left hand side with the clip secured.

1 Claim, 2 Drawing Sheets

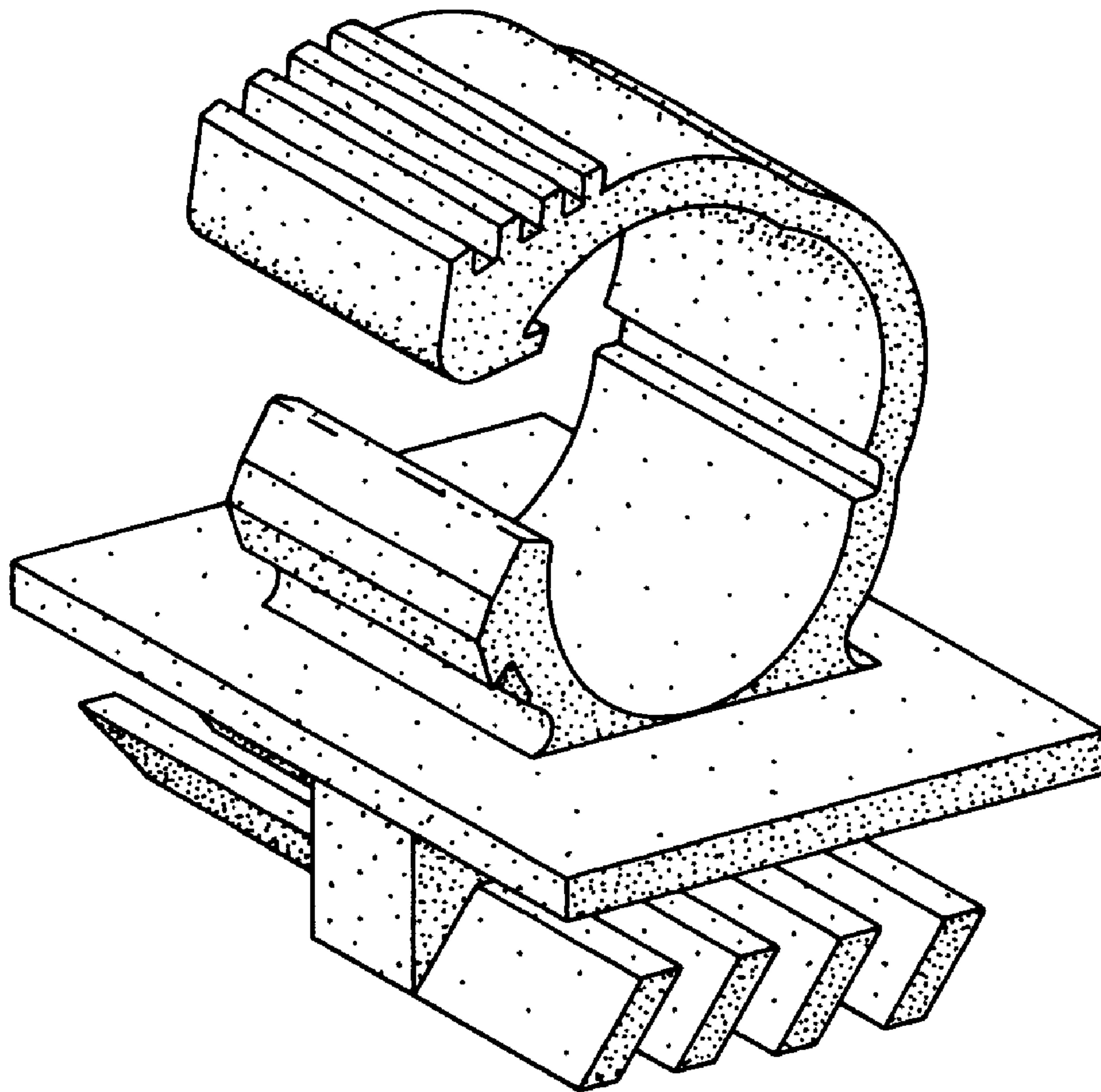


FIG 2

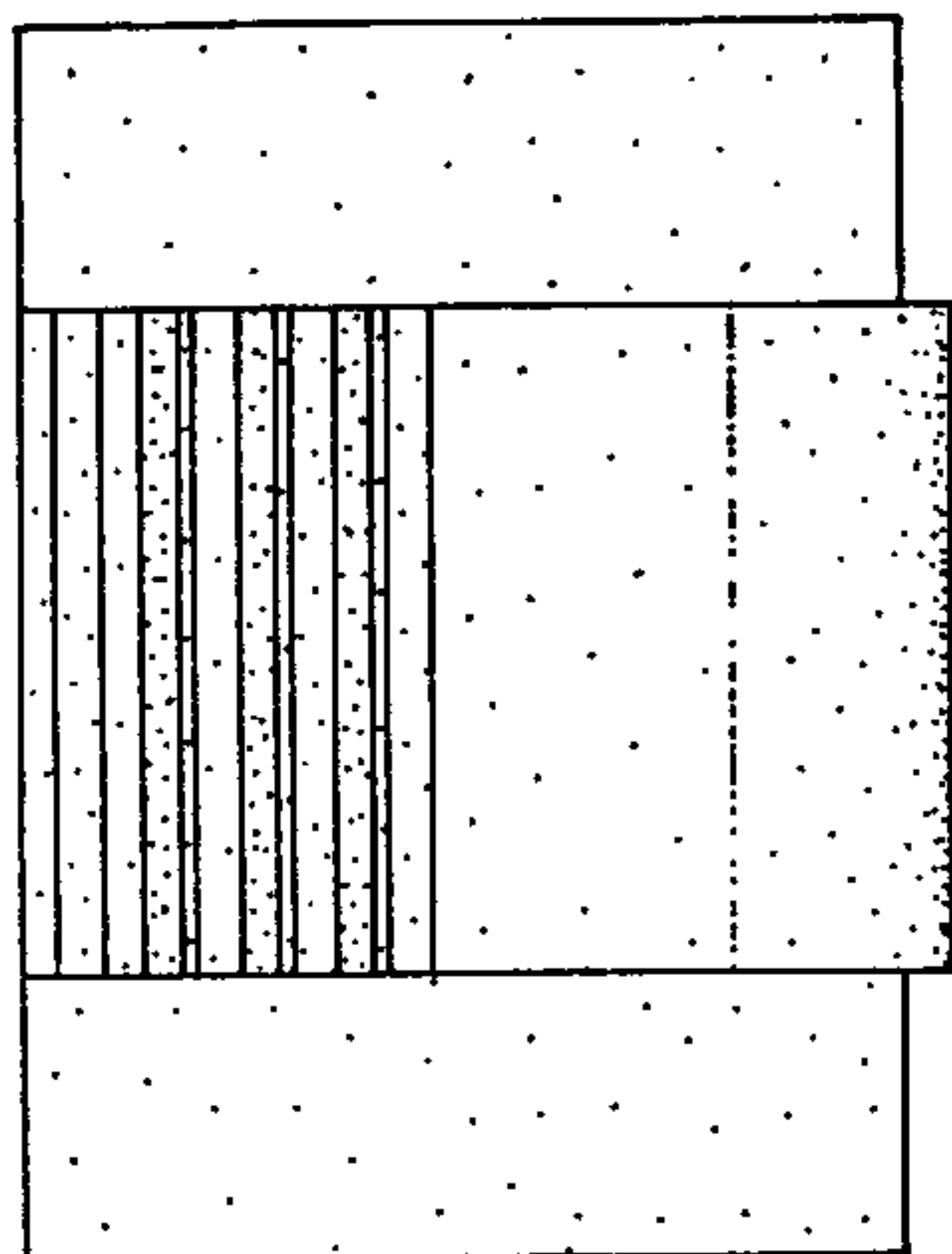


FIG 1

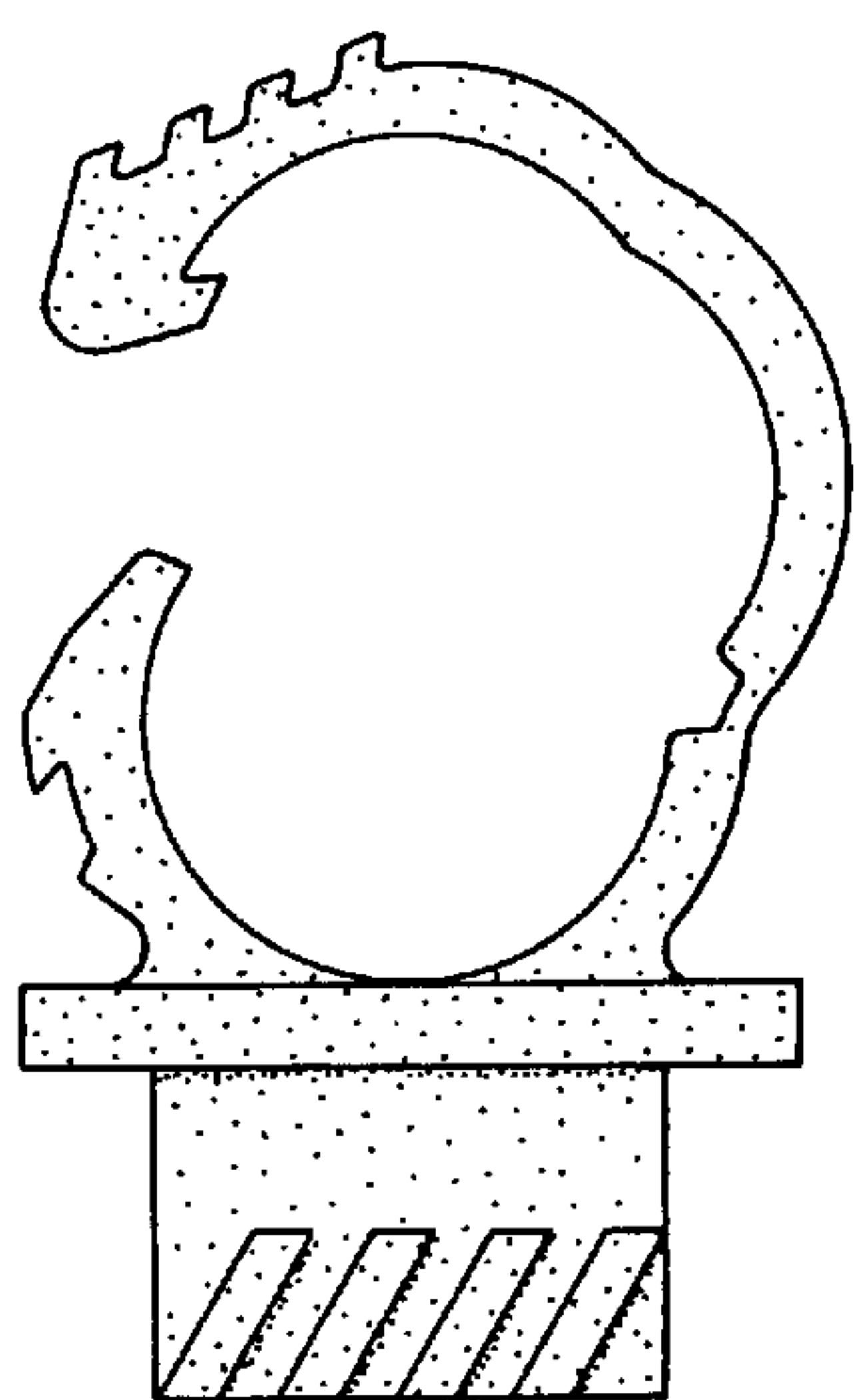
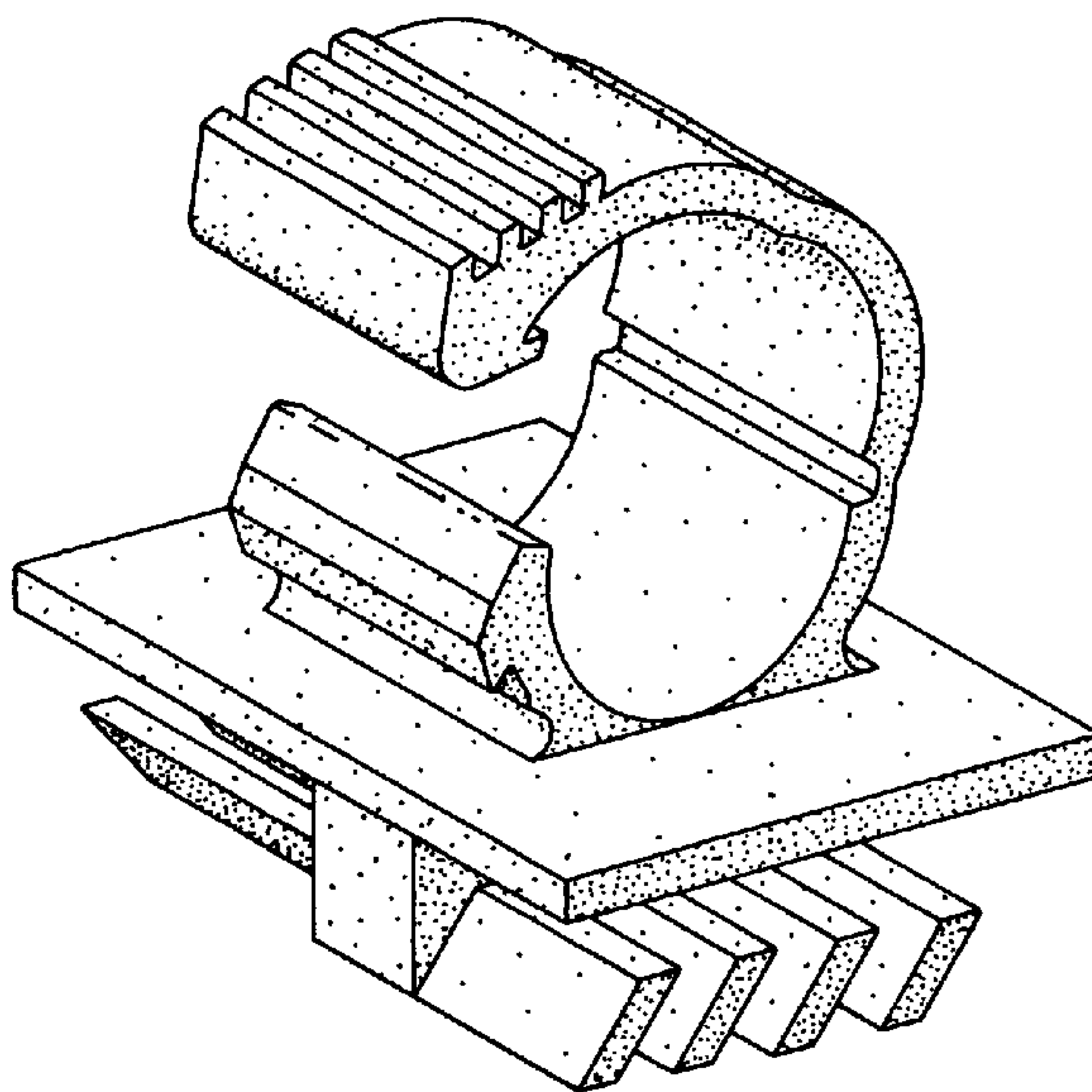


FIG 3

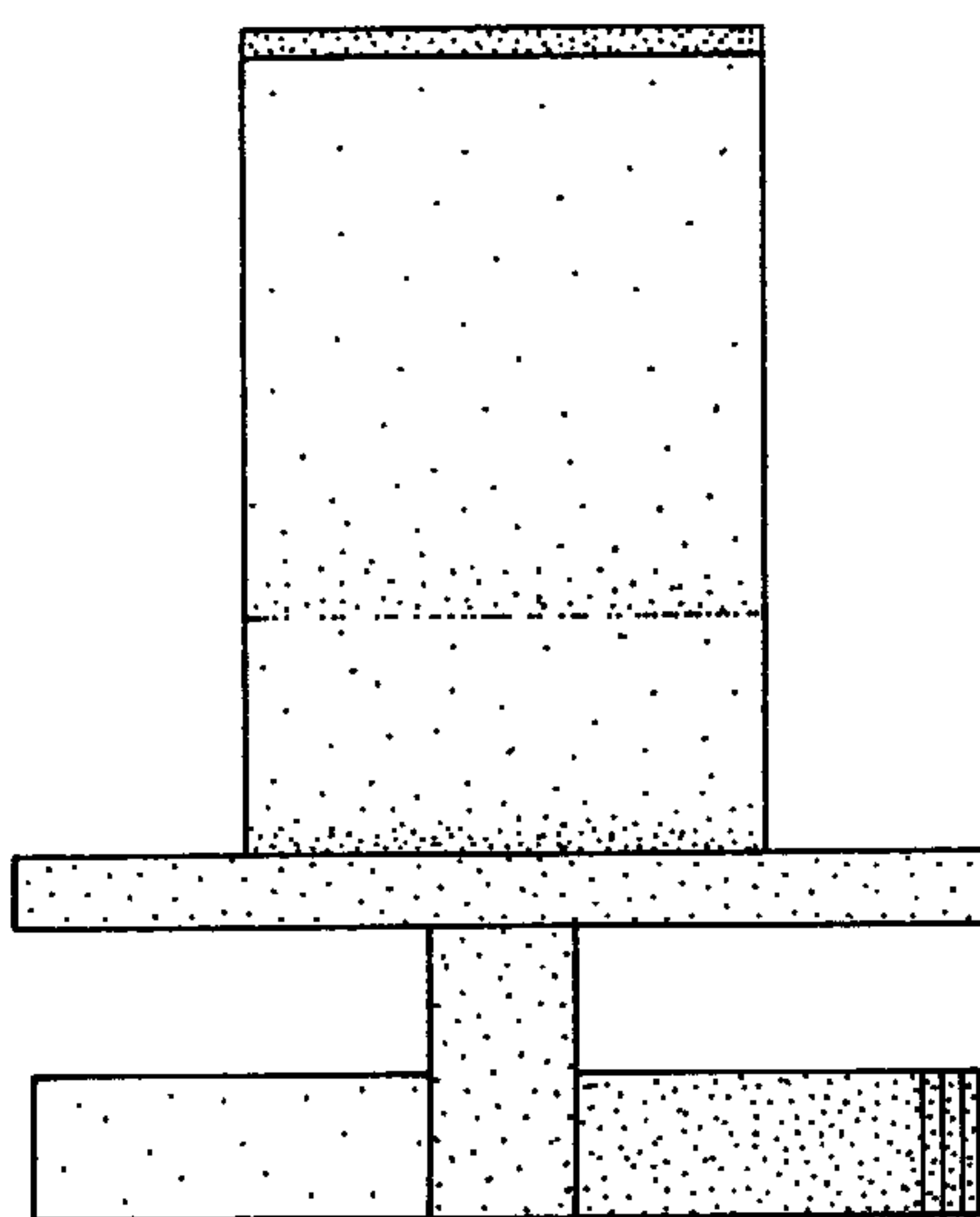


FIG 4

FIG 5

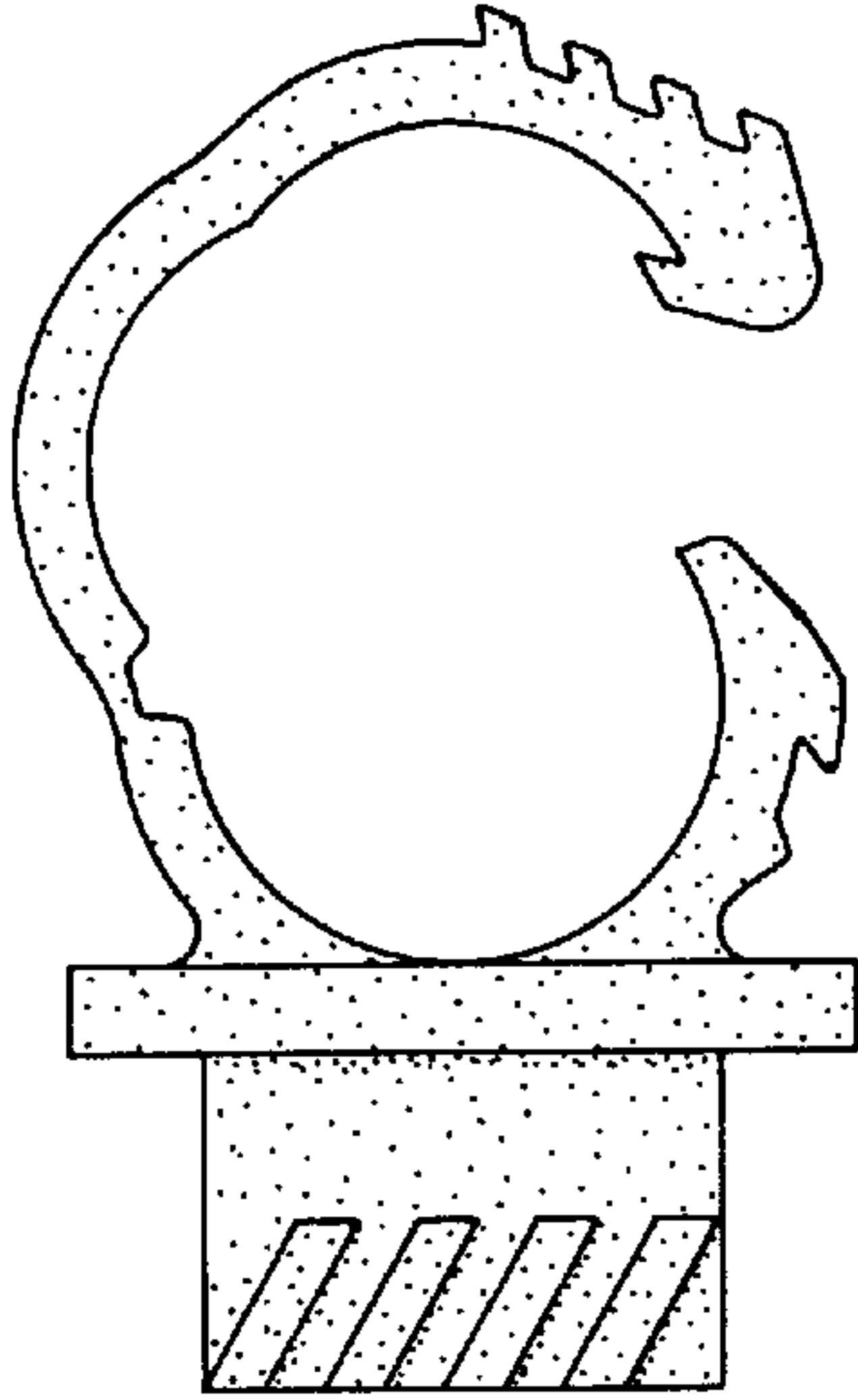


FIG 6

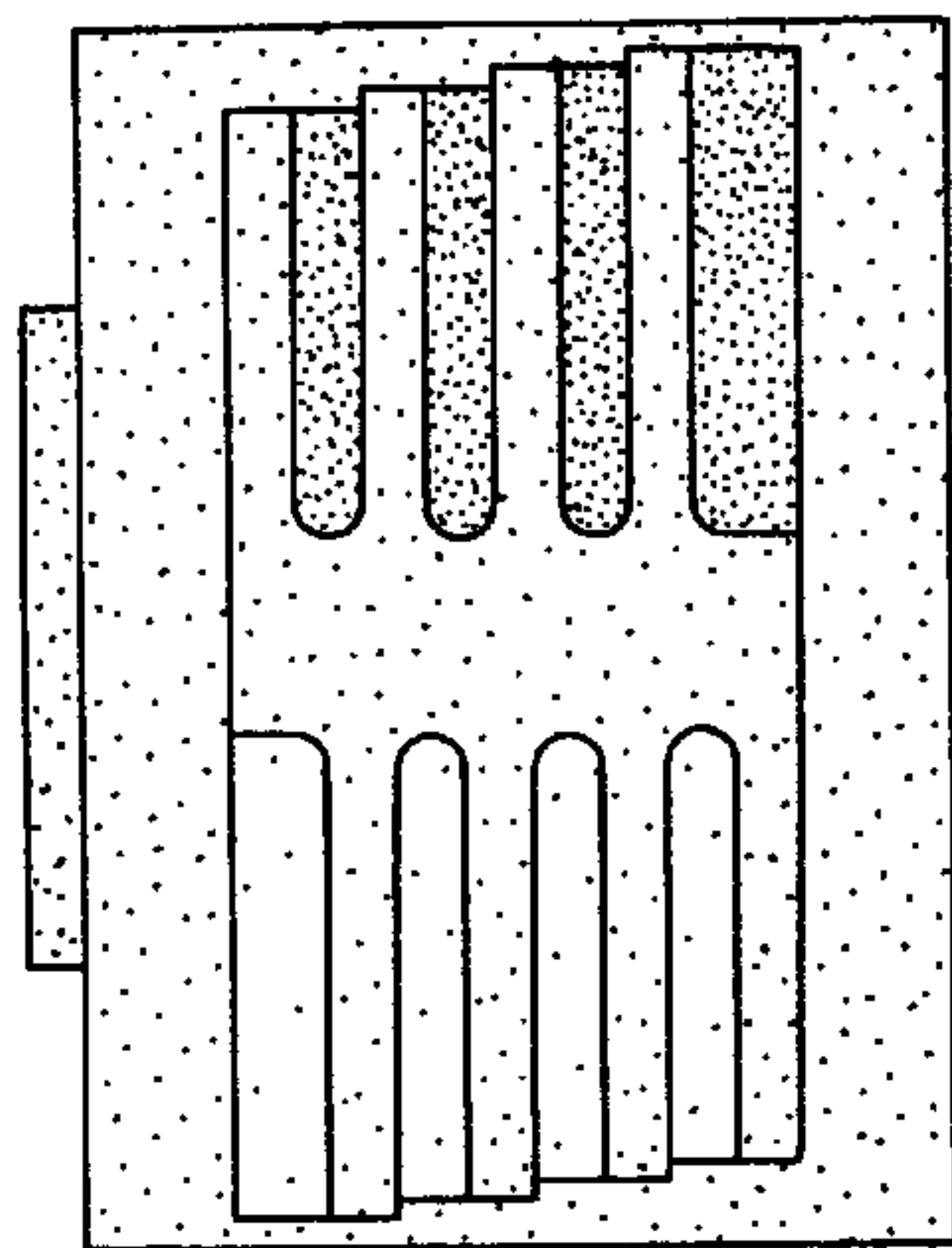
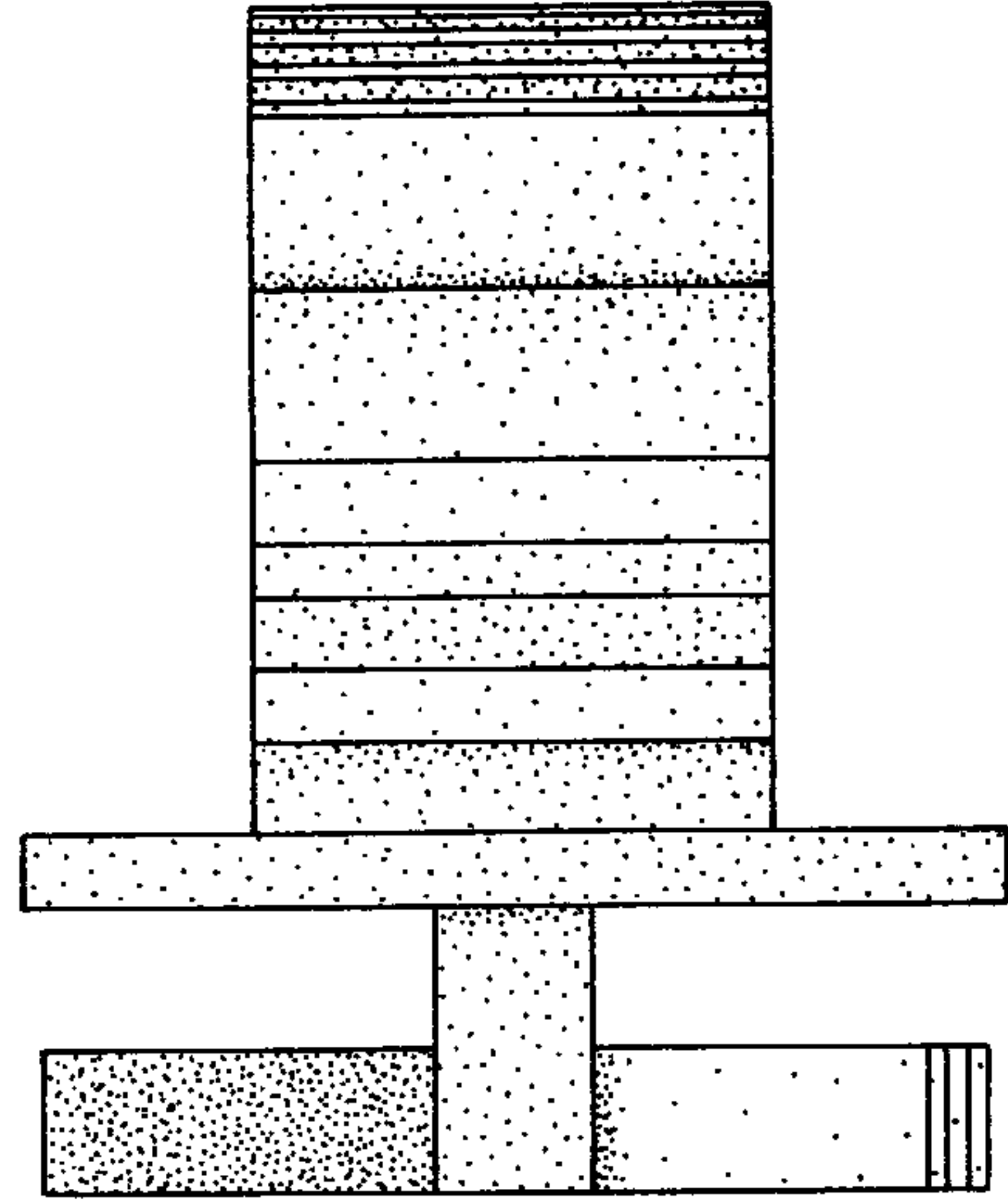


FIG 7

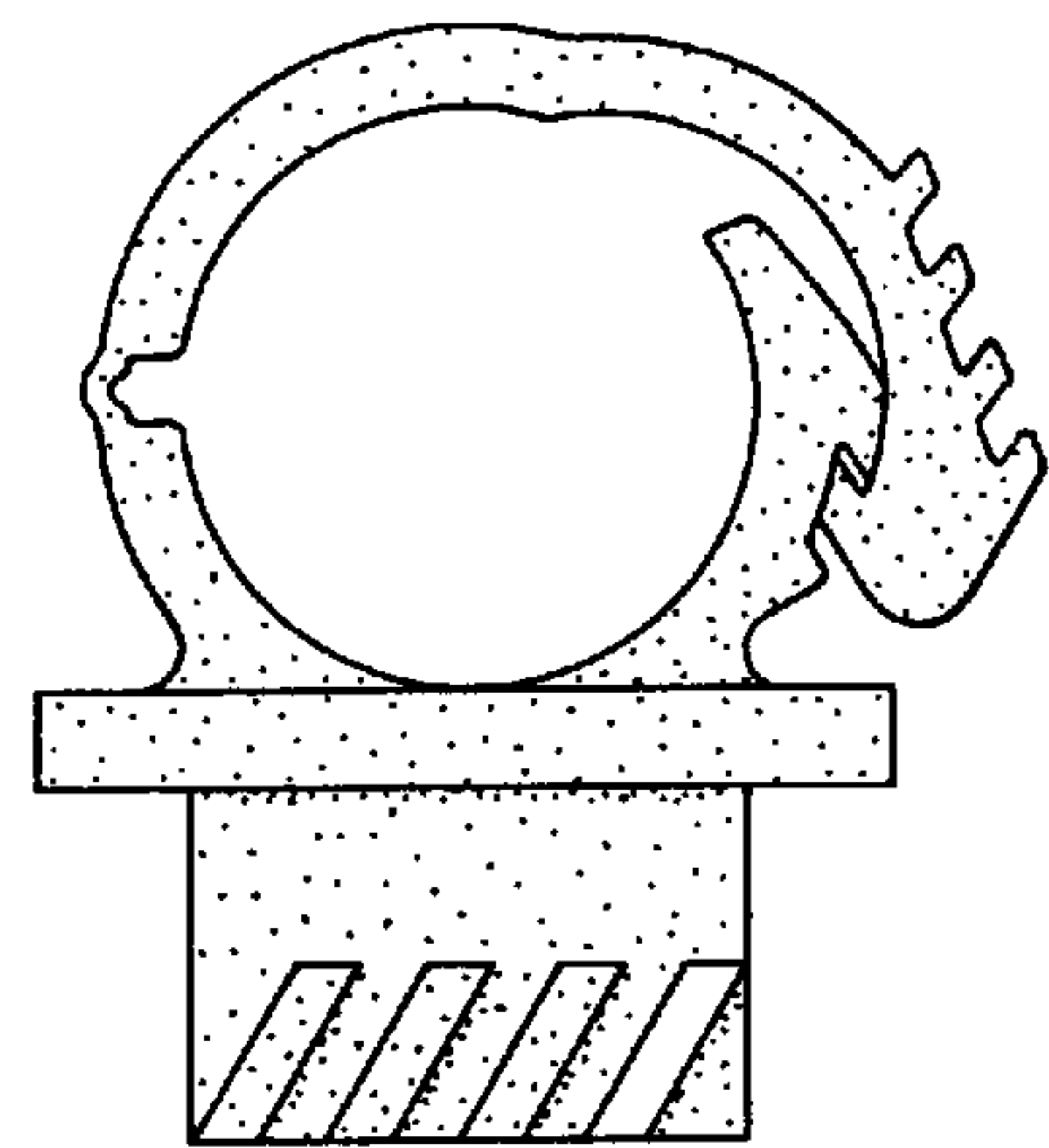


FIG 8

UNITED STATES PATENT AND TRADEMARK OFFICE
CERTIFICATE OF CORRECTION

PATENT NO. : Des. 424,922
DATED : May 16, 2000
INVENTOR(S) : Clarence A. Sherman, et al

It is certified that error appears in the above-identified patent and that said Letters Patent is hereby corrected as shown below:

On title page, item [54] "elongate" should read --elongated--
Under Description, line 2, "elongate" should read --elongated--
Under Description, line 3, Figure 2, "unsecured" should read --secured--
In the claim, line 2, "elongate" should read --elongated--

Signed and Sealed this

Twenty-seventh Day of March, 2001

Attest:



NICHOLAS P. GODICI

Attesting Officer

Acting Director of the United States Patent and Trademark Office