



US00D424921S

United States Patent [19]
Axelsson

[11] **Patent Number: Des. 424,921**
[45] **Date of Patent: ** May 16, 2000**

[54] **STRAP FASTENER**
[75] Inventor: **Lennart C. Axelsson**, Tinley Park, Ill.
[73] Assignee: **Panduit Corp.**, Tinley Park, Ill.
[**] Term: **14 Years**
[21] Appl. No.: **29/103,861**
[22] Filed: **Apr. 23, 1999**
[51] **LOC (7) Cl. 08-08**
[52] **U.S. Cl. D8/394; D8/396**
[58] **Field of Search D8/394-396, 382;**
D2/637; 24/16 R, 16 PB, 20 R, 21, 22,
23 R, 23 B

5,230,126 7/1993 Oetiker .
5,307,541 5/1994 Nagano .
5,353,478 10/1994 Spors .
5,395,343 3/1995 Iscovich .
5,548,876 8/1996 Oetiker .
5,706,558 1/1998 Sauer .

FOREIGN PATENT DOCUMENTS

1116743 5/1956 France .
1138688 1/1963 France .
487202 12/1929 Germany .

Primary Examiner—B. J. Bullock
Attorney, Agent, or Firm—Robert A. McCann

[57] **CLAIM**

The ornamental design for a strap fastener, as shown and described.

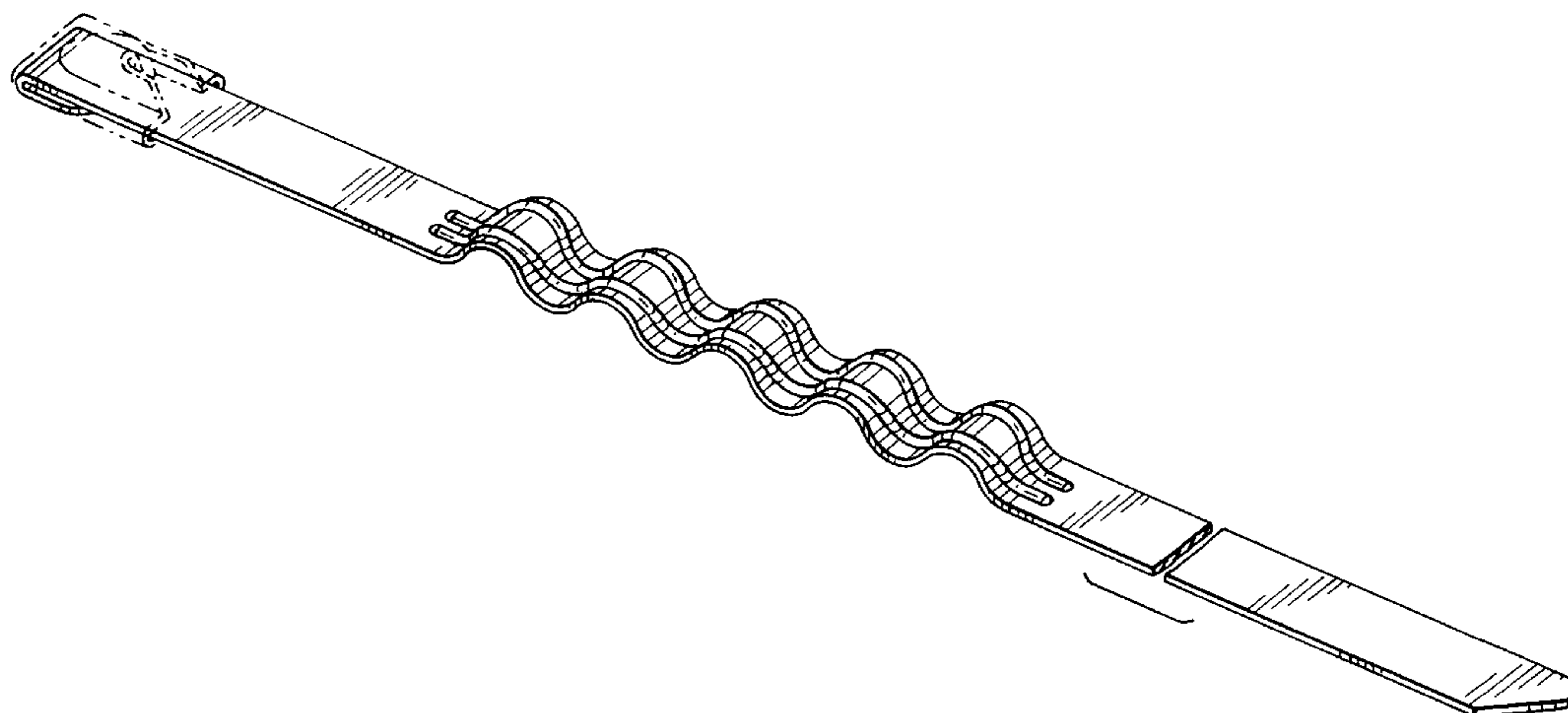
[56] **References Cited**
U.S. PATENT DOCUMENTS

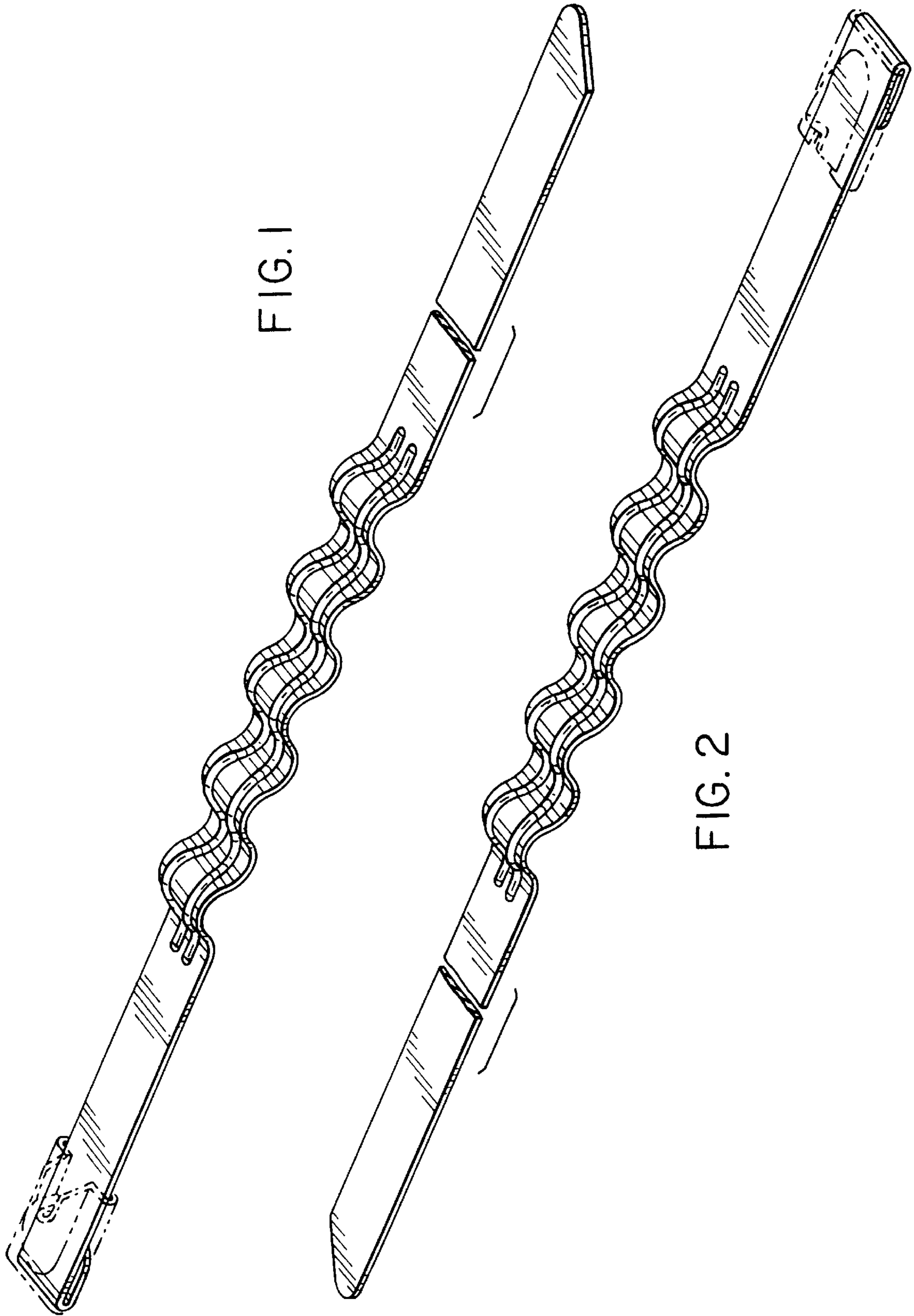
362,376 5/1887 Gould et al. .
1,118,395 11/1914 Campbell .
1,173,998 2/1916 Depew .
1,178,398 4/1916 Holmes .
1,592,479 7/1926 Williams .
1,700,451 1/1929 Ronci .
1,705,895 3/1929 Blair .
2,012,543 8/1935 Nolan .
3,082,498 3/1963 Oetiker .
3,087,221 4/1963 Armstrong .
3,189,961 6/1965 Heller .
3,283,378 11/1966 Cramton .
3,402,436 9/1968 Oetiker .
3,577,601 5/1971 Mariani .
3,909,884 10/1975 Weckesser .
3,934,918 1/1976 Kress et al. .
4,235,404 11/1980 Kraus .
4,308,648 1/1982 Fay .
4,366,602 1/1983 Conlon et al. .
4,402,113 9/1983 Smith .
4,518,297 5/1985 Kraus .
4,638,531 1/1987 Ribrant .
4,843,686 7/1989 Bartholomew .
4,907,319 3/1990 Calmettes et al. .
4,919,682 4/1990 Bellazzi .
4,987,652 1/1991 Spaulding .
5,028,021 7/1991 Sugiyama et al. .
5,111,555 5/1992 Oetiker .
5,117,536 6/1992 Beach et al. .
5,144,726 9/1992 Calmettes et al. .

DESCRIPTION

FIG. 1 is a top left perspective view of a strap fastener; FIG. 2 is a top right perspective view of the strap fastener of FIG. 1; FIG. 3 is a bottom rear left perspective view of the strap fastener of FIG. 1; FIG. 4 is an enlarged left side view of the strap fastener of FIG. 1; FIG. 5 is an enlarged right side view of the strap fastener of FIG. 1; FIG. 6 is an enlarged top view of the strap fastener of FIG. 1; FIG. 7 is an enlarged bottom view of the strap fastener of FIG. 1; FIG. 8 is an enlarged front view of the strap fastener of FIG. 1; FIG. 9 is an enlarged rear view of the strap fastener of FIG. 1; and, FIG. 10 is an enlarged sectional view taken along line 10—10 of the corrugated portion of the strap fastener of FIG. 1. The broken lines in FIGS. 1-9 are illustrative purposes only and form no part of the claimed design. The portion of the strap adjacent the angled end is shown broken away to indicate indeterminate length while the portion of the strap adjacent the locking head is shown broken away in FIGS. 4-7 for ease of illustration.

1 Claim, 3 Drawing Sheets





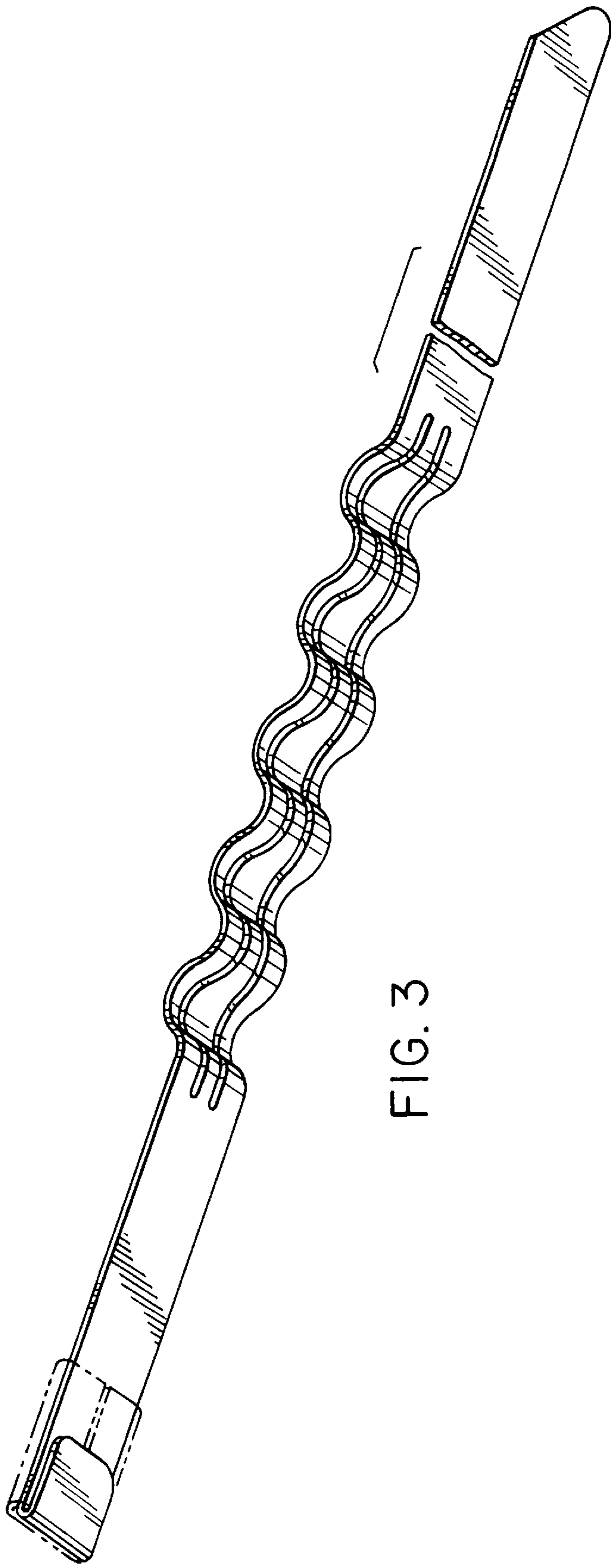


FIG. 3



FIG. 4

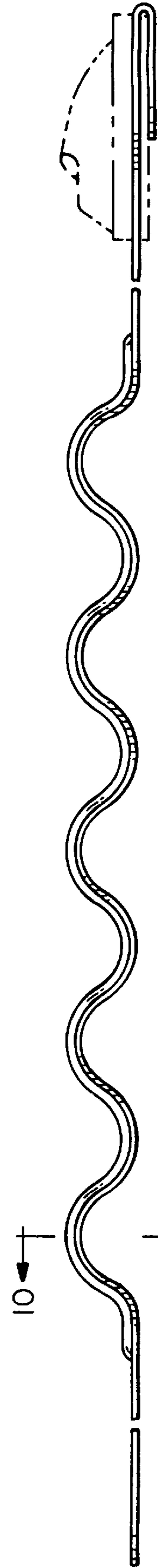


FIG. 5

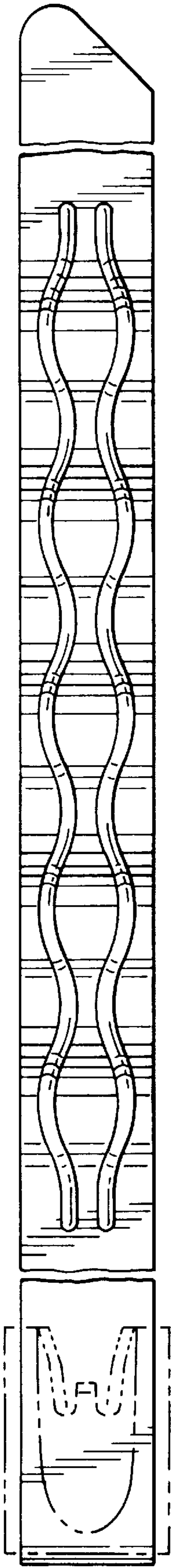


FIG. 6

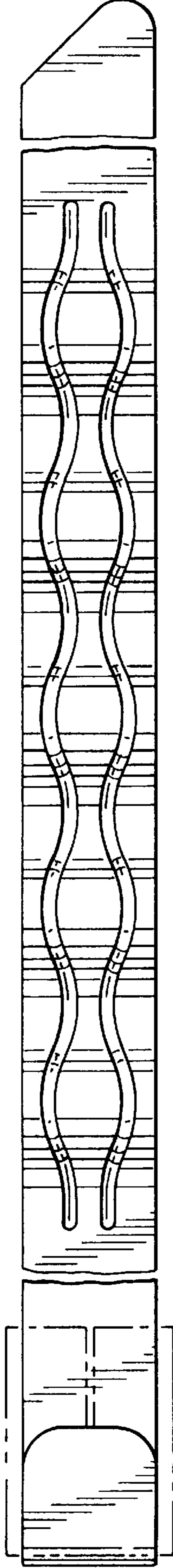


FIG. 7

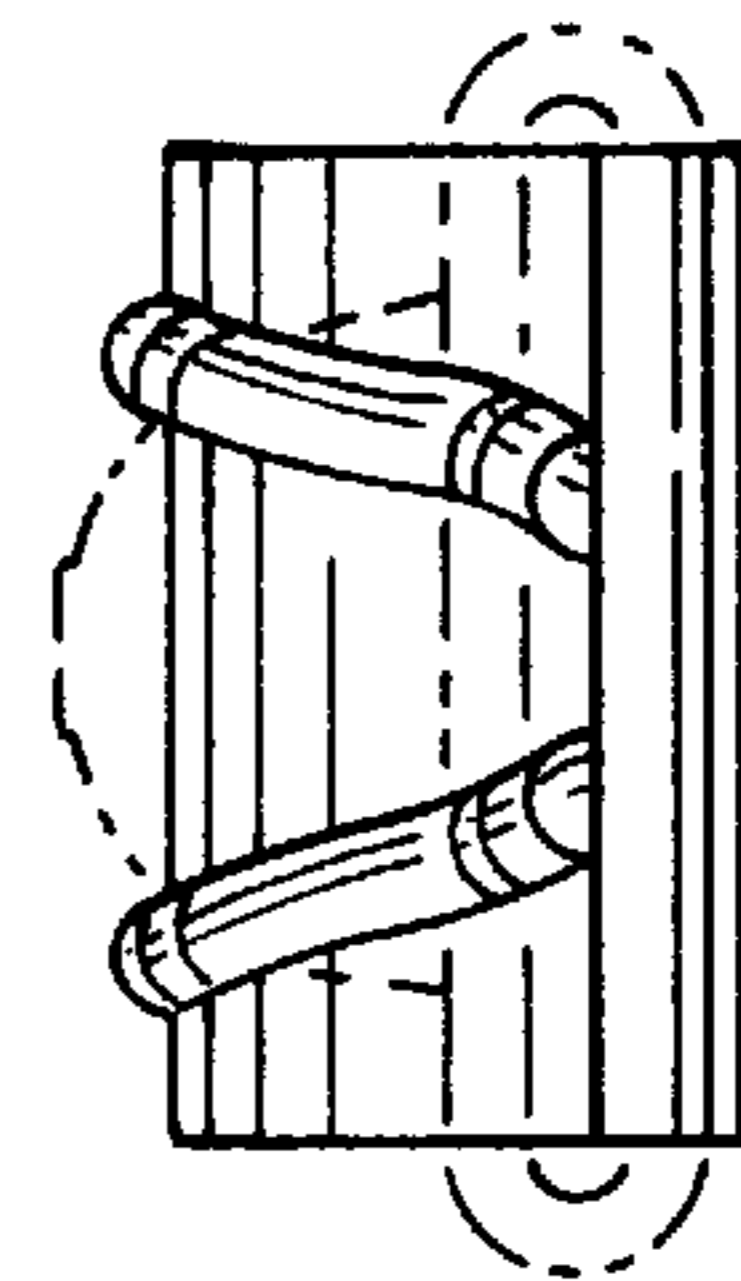


FIG. 8

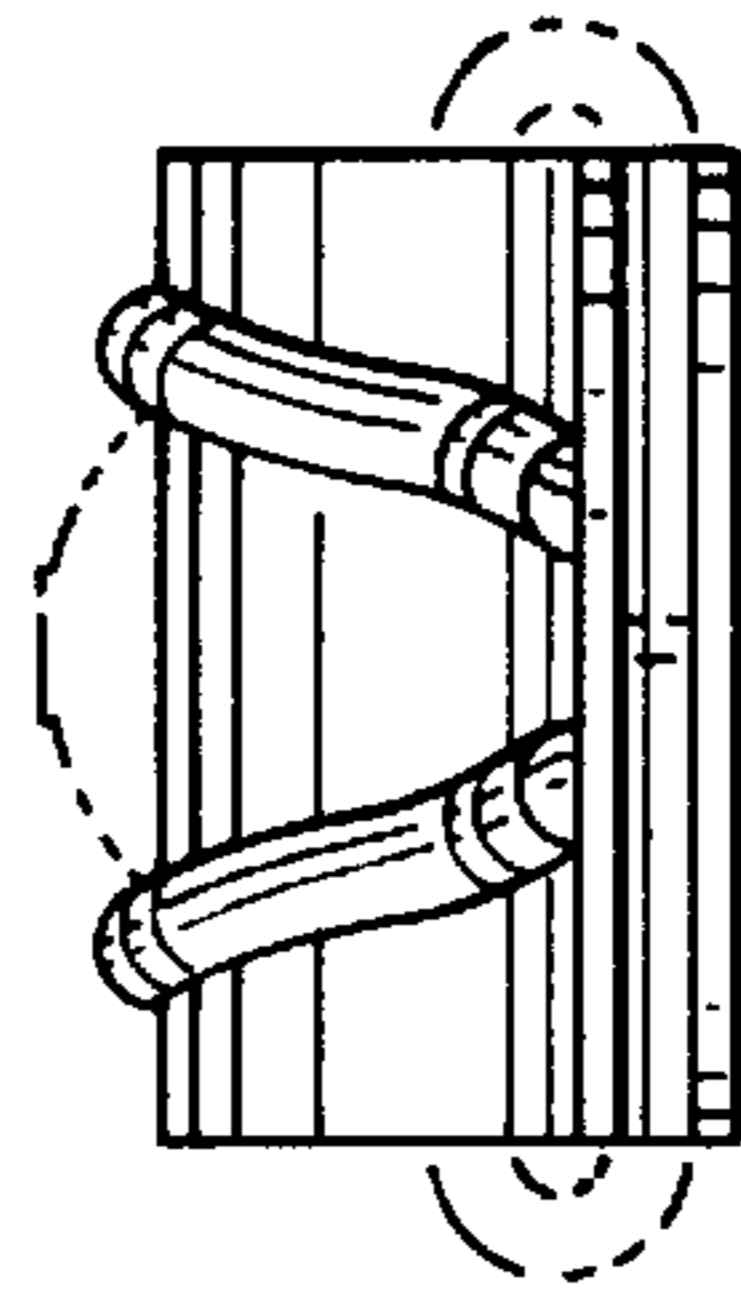


FIG. 9

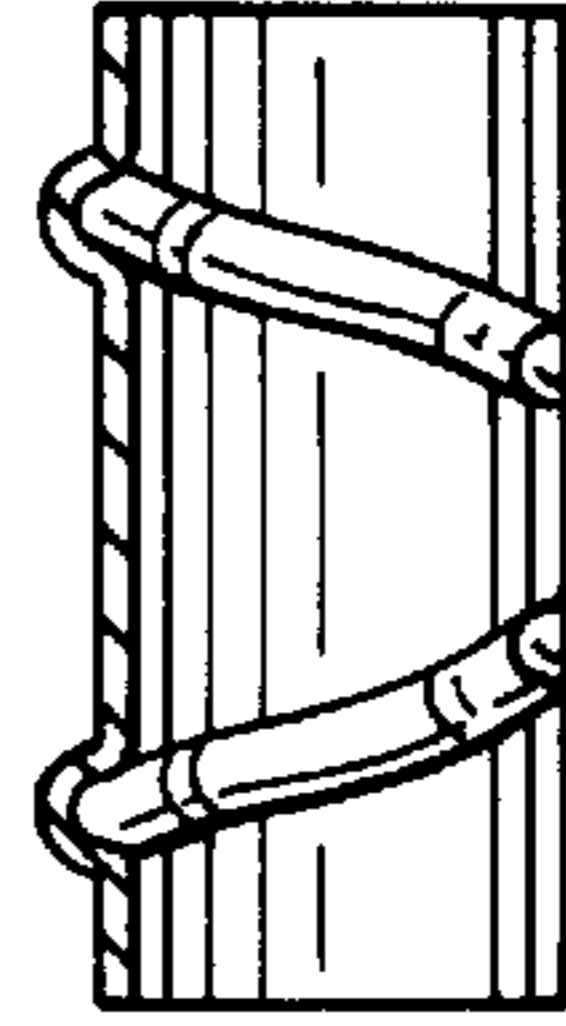


FIG. 10